



US00D981105S

(12) **United States Design Patent** (10) **Patent No.:** **US D981,105 S**
Pacha et al. (45) **Date of Patent:** **** Mar. 21, 2023**

- (54) **GOLF BAG TOP**
- (71) Applicant: **PARSONS XTREME GOLF, LLC**,
Scottsdale, AZ (US)
- (72) Inventors: **Duane E. Pacha**, Chandler, AZ (US);
Candace Chen, Phoenix, AZ (US)
- (73) Assignee: **PARSONS XTREME GOLF, LLC**,
Scottsdale, AZ (US)

- D517,808 S * 3/2006 Reimers D3/320
- D520,752 S 5/2006 Solheim et al.
- D522,754 S 6/2006 Anderson
- D530,922 S 10/2006 Anderson
- D538,042 S 3/2007 Suggs
- D544,210 S 6/2007 McGuire et al.
- D557,501 S 12/2007 Suggs et al.
- D557,502 S 12/2007 Quartarone et al.
- D577,916 S 10/2008 Quartarone et al.
- D580,656 S 11/2008 Quartarone et al.
- D613,063 S 4/2010 Quartarone, III et al.

(Continued)

(**) Term: **15 Years**

(21) Appl. No.: **29/724,963**

(22) Filed: **Feb. 20, 2020**

FOREIGN PATENT DOCUMENTS

- GB 3023545 * 4/2006
- GB 4002526 * 6/2007

(Continued)

Related U.S. Application Data

(62) Division of application No. 29/643,476, filed on Apr. 9, 2018, now Pat. No. Des. 879,467.

(51) **LOC (14) Cl.** **03-01**

(52) **U.S. Cl.**
USPC **D3/255**

(58) **Field of Classification Search**
USPC D3/254–255, 283, 319–320, 328.1;
D21/789

CPC A45F 3/047; A45F 3/04; A63B 55/408;
A63B 55/40; A63B 55/53; A63B 55/57;
A63B 55/00

See application file for complete search history.

(56) **References Cited**

U.S. PATENT DOCUMENTS

- D454,249 S * 3/2002 Schmidt D3/320
- 6,712,206 B2 * 3/2004 Chen A63B 55/57
206/315.7
- D501,604 S 2/2005 Kadoya
- D513,876 S 1/2006 Solheim et al.
- D513,877 S 1/2006 Solheim et al.
- D513,878 S 1/2006 Anderson et al.

Primary Examiner — Mary Shannon Malley
Assistant Examiner — Christopher John Suarez La Rosa

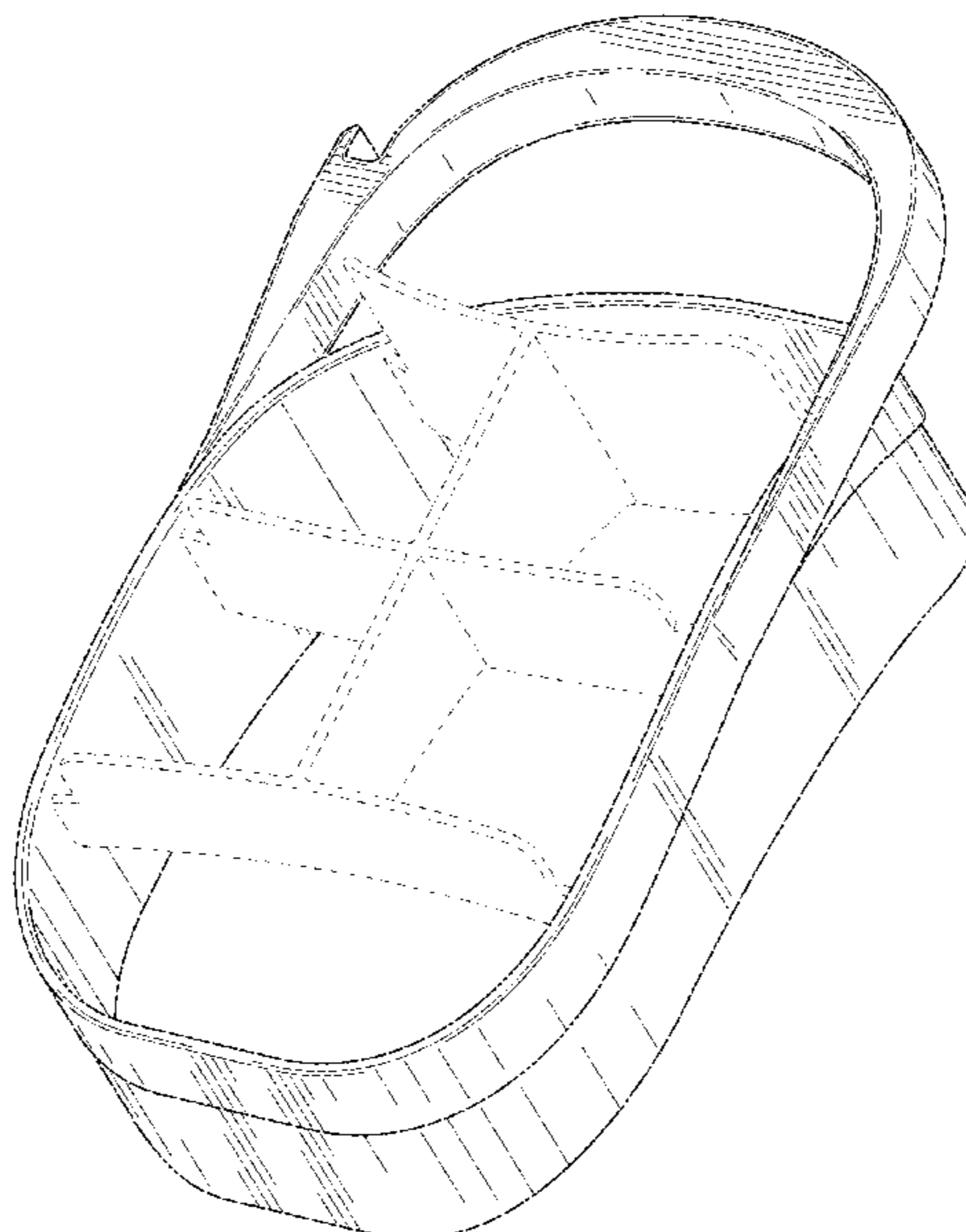
(57) **CLAIM**

The ornamental design for a golf bag top, as shown and described.

DESCRIPTION

FIG. 1 is a top perspective view of a golf bag top;
FIG. 2 is a bottom perspective view of the golf bag top of FIG. 1;
FIG. 3 is a rear elevational view of the golf bag top of FIG. 1;
FIG. 4 is a front elevational view of the golf bag top of FIG. 1;
FIG. 5 is a top view of the golf bag top of FIG. 1;
FIG. 6 is a bottom view of the golf bag top of FIG. 1;
FIG. 7 is a right side view of the golf bag top of FIG. 1; and,
FIG. 8 is a left side view of the golf bag top of FIG. 1.
The broken lines illustrate portions of the golf bag top that form no part of the claimed design.

1 Claim, 8 Drawing Sheets



US D981,105 S

Page 2

(56)

References Cited

U.S. PATENT DOCUMENTS

D613,064 S 4/2010 Quartarone, III et al.
D613,065 S 4/2010 McGuire et al.
D613,066 S 4/2010 McGuire et al.
D636,596 S 4/2011 McGuire
D649,353 S 11/2011 Loudenslager et al.
D649,354 S 11/2011 Loudenslager et al.
D649,355 S 11/2011 Loudenslager et al.
D649,356 S 11/2011 Loudenslager et al.
D649,357 S * 11/2011 Batista D3/328.1
D654,268 S 2/2012 Boncimino et al.
D669,266 S 10/2012 Loudenslager et al.
8,752,798 B2 6/2014 Loudenslager
D713,148 S 9/2014 Bruce
D715,055 S 10/2014 Bruce et al.
D718,534 S 12/2014 Bruce
8,910,785 B2 12/2014 Loudenslager
D776,427 S * 1/2017 Radeleff D3/255
D874,829 S * 2/2020 Marshall D3/255

D875,400 S * 2/2020 Burgess D3/255
D879,467 S * 3/2020 Pacha D3/255
D887,715 S * 6/2020 Marshall D3/255
2002/0189962 A1* 12/2002 Chen A63B 55/57
2010/0320105 A1* 12/2010 Aubery A63B 55/57
2011/0005949 A1* 1/2011 Shiao A63B 55/53
2011/0315578 A1* 12/2011 Shiao A63B 55/40

FOREIGN PATENT DOCUMENTS

HK 0111464-0001 * 11/2001
JP D1535467 * 10/2015
KR 300504096.0000 * 9/2008
KR 300822026.0000 * 10/2015
KR 300832718.0000 * 1/2016

* cited by examiner

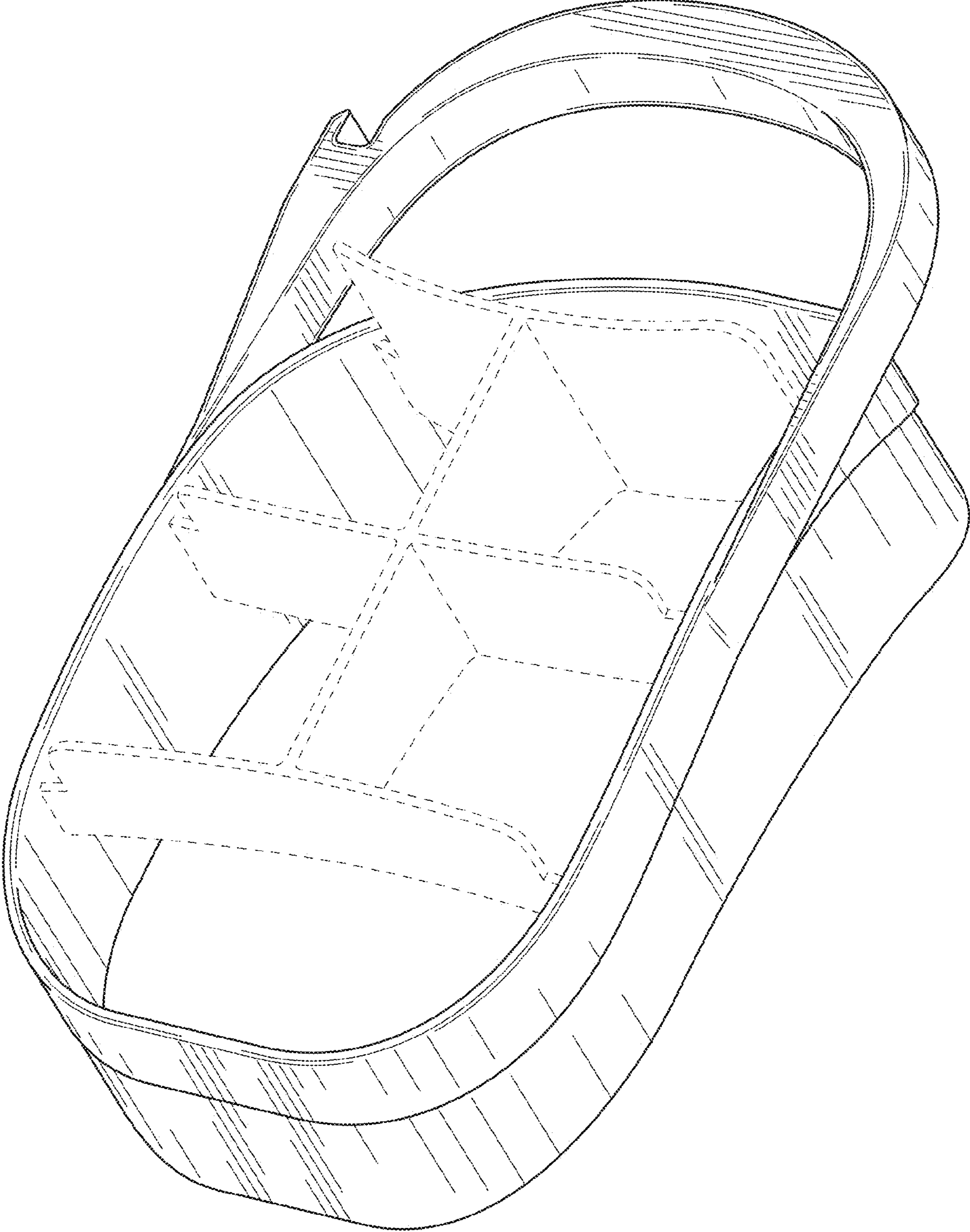


FIG. 1

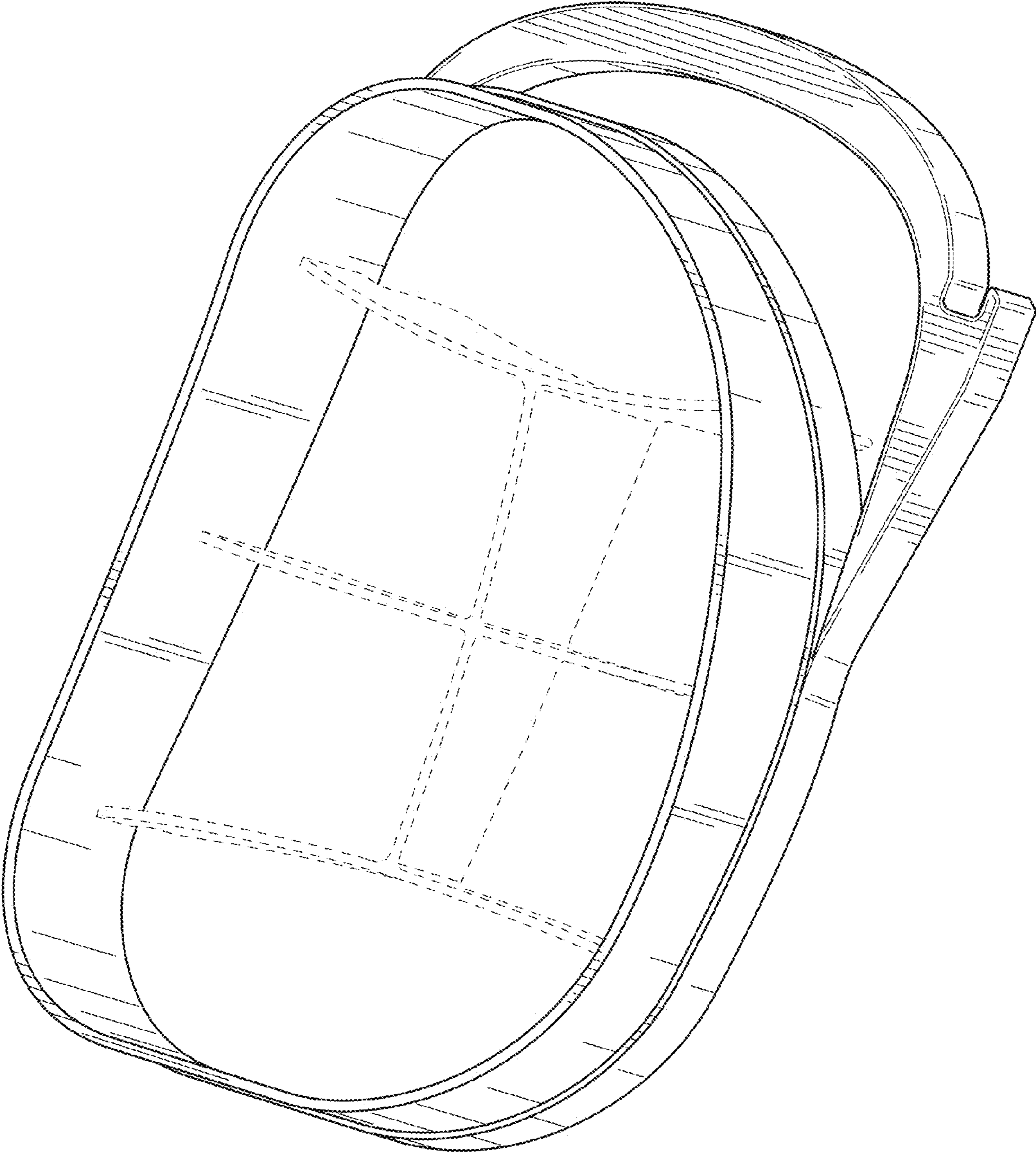


FIG. 2

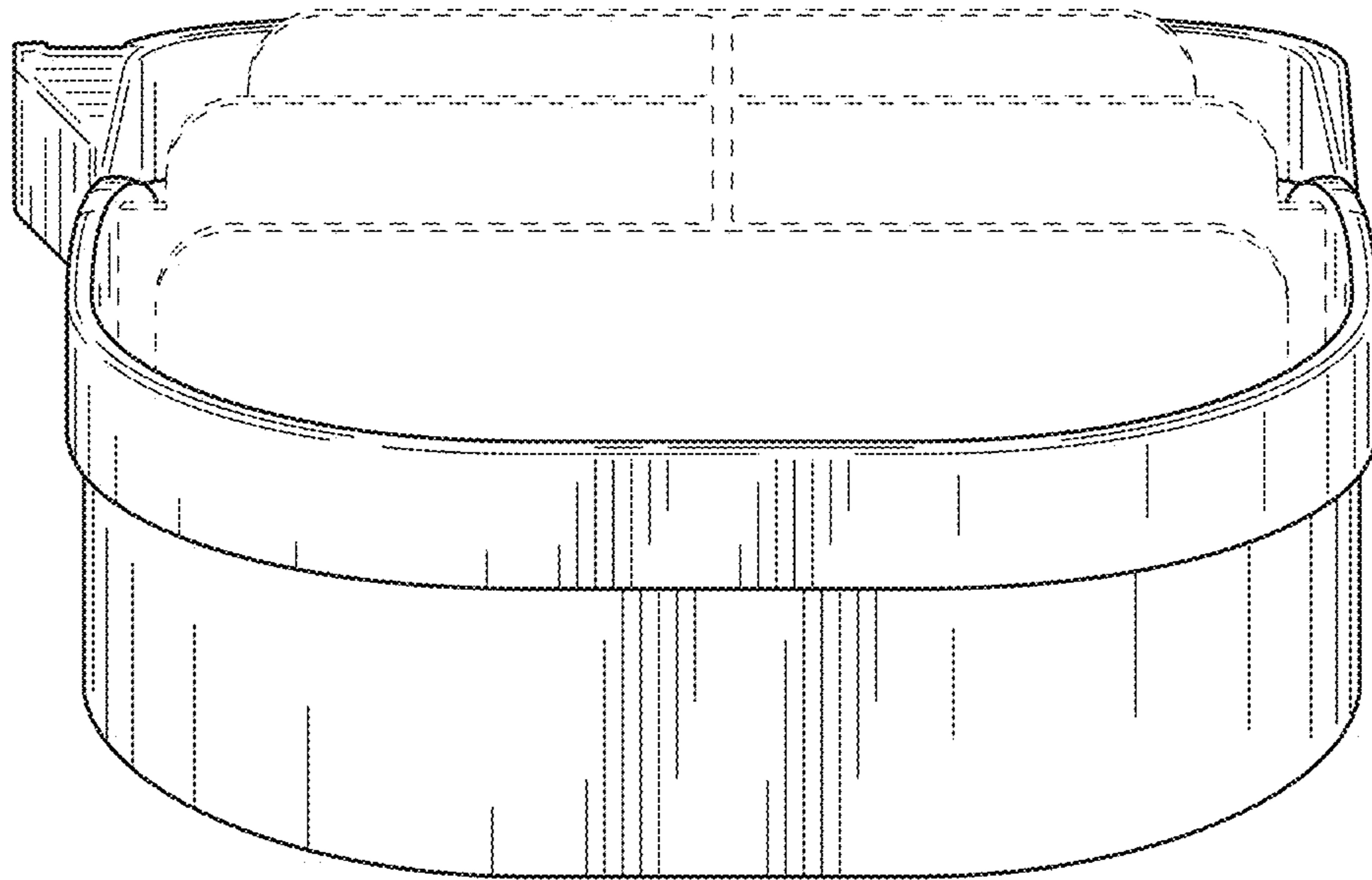


FIG. 3

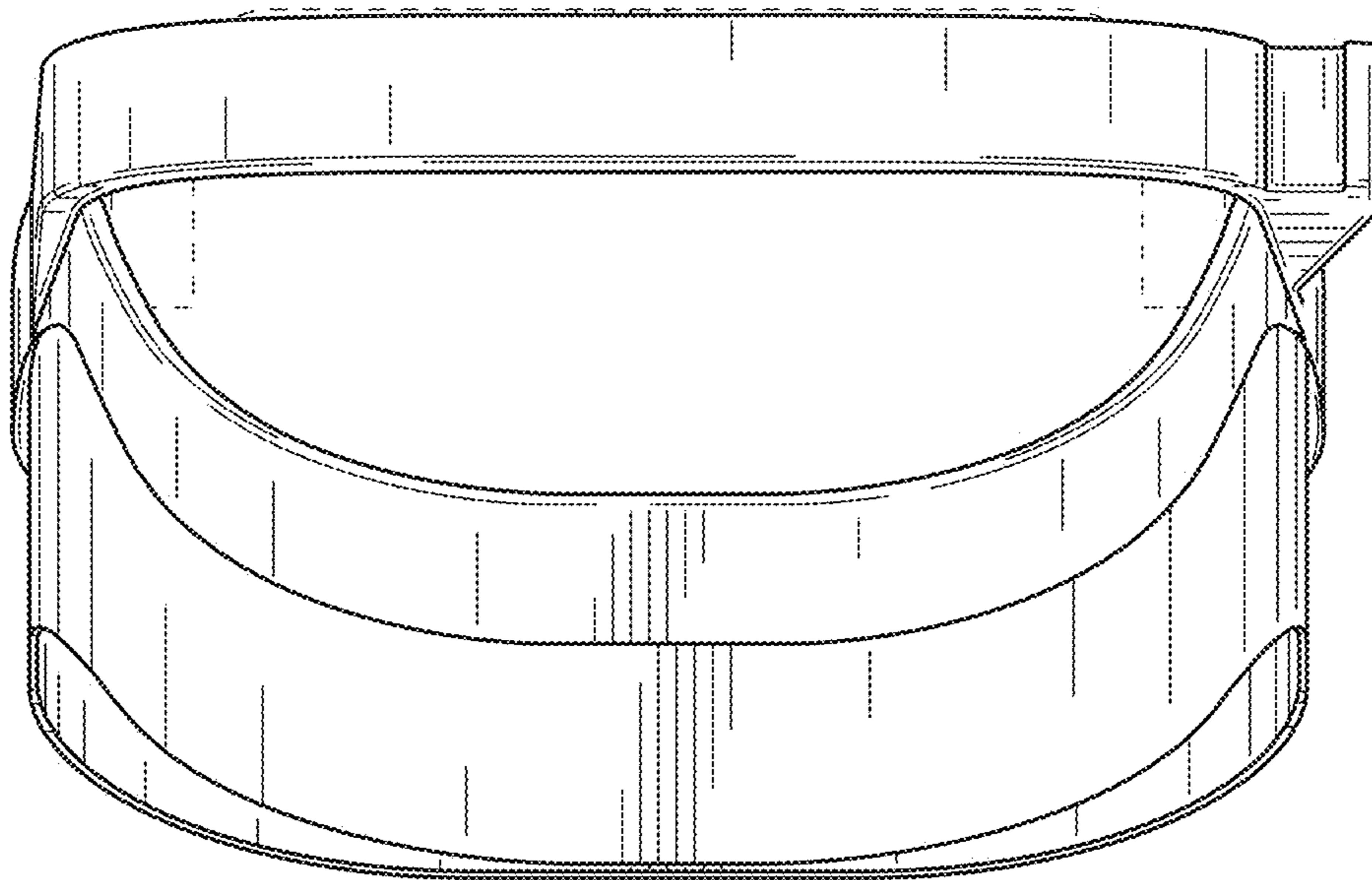


FIG. 4

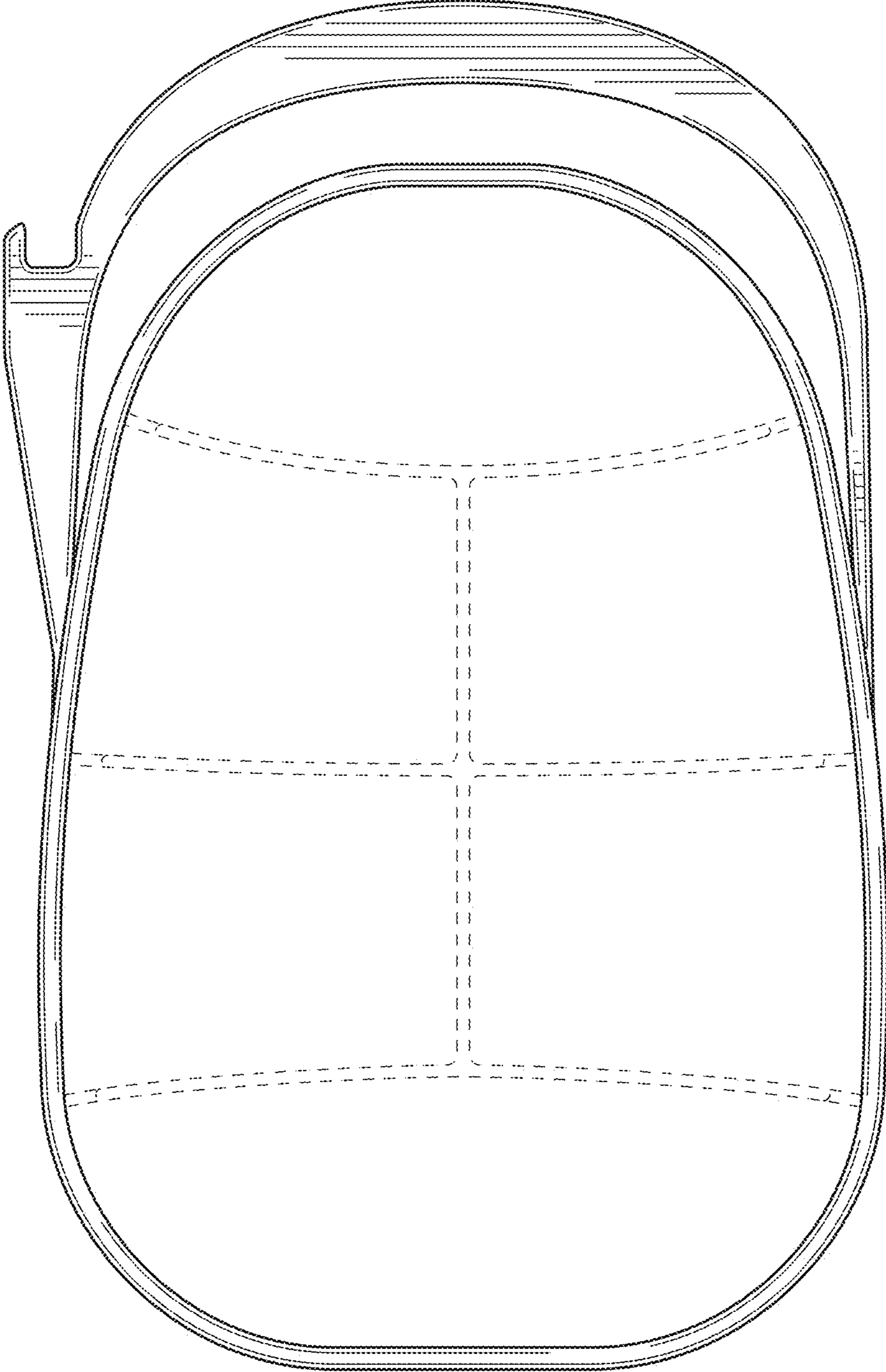


FIG. 5

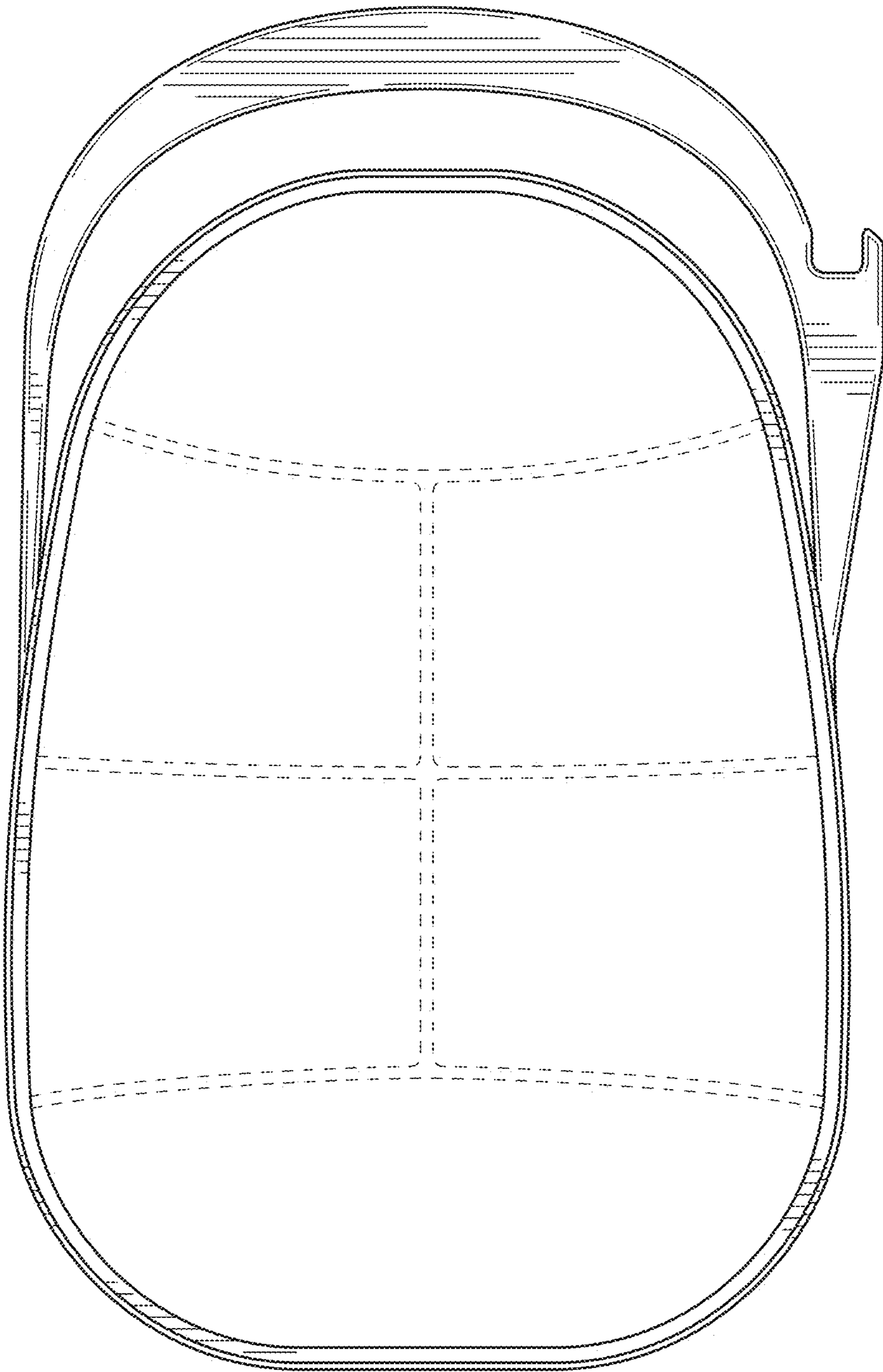


FIG. 6

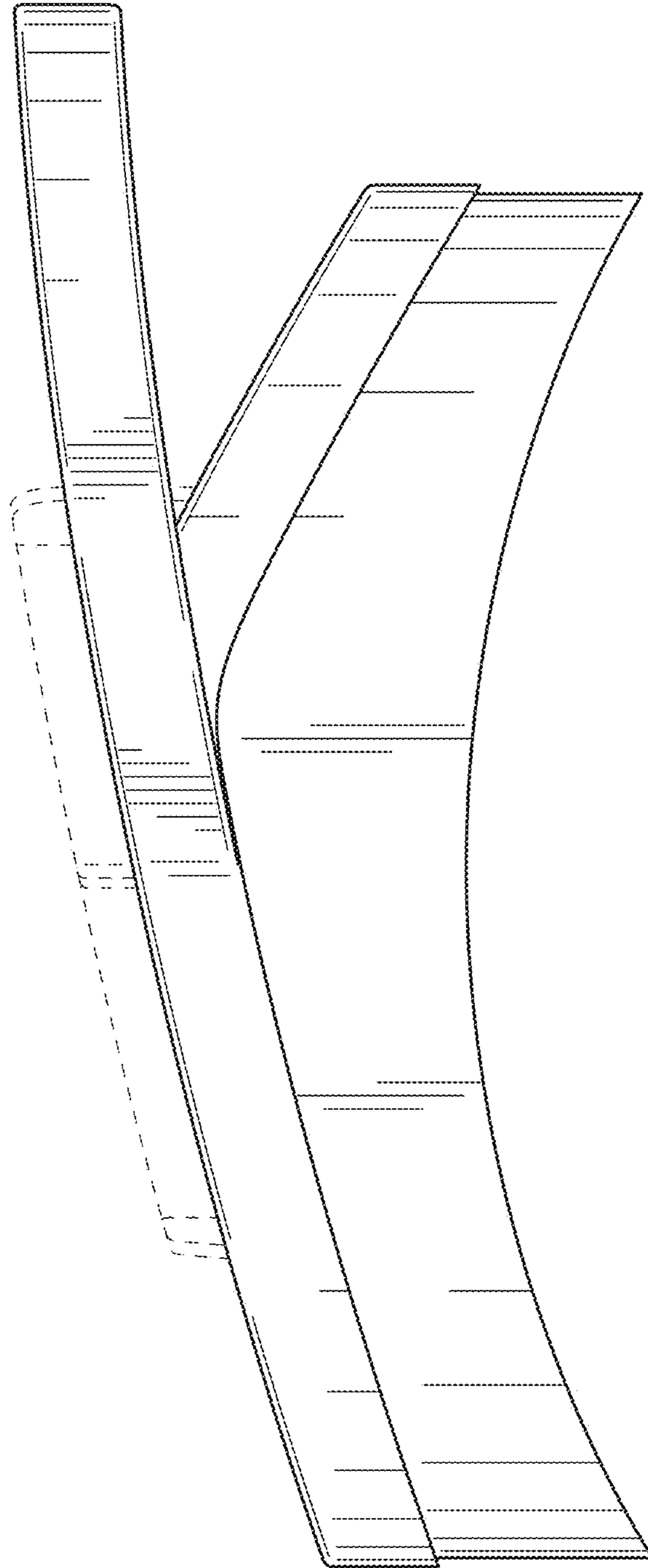


FIG. 7

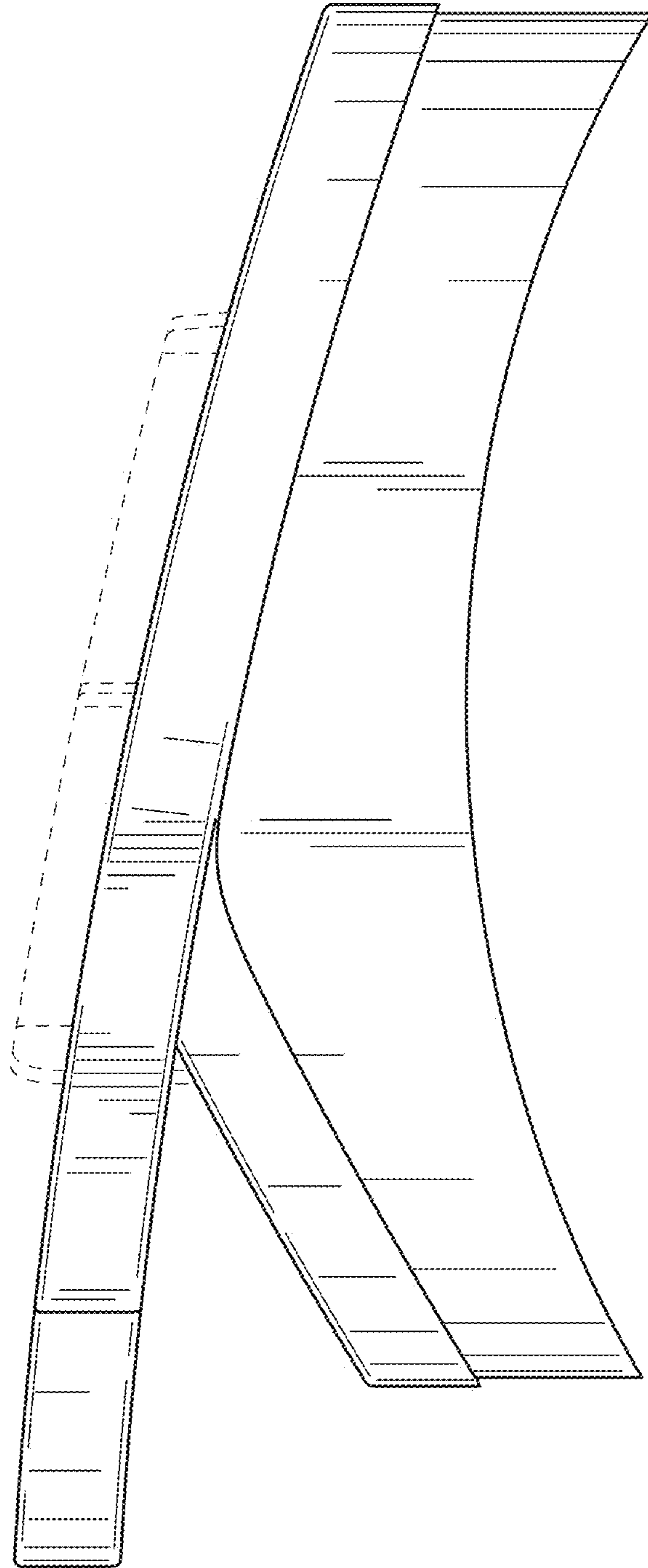


FIG. 8