



US00D981104S

(12) **United States Design Patent** (10) **Patent No.:** **US D981,104 S**
Feng (45) **Date of Patent:** **** Mar. 21, 2023**

(54) **LAPTOP BAG**

FOREIGN PATENT DOCUMENTS

(71) Applicant: **Yuqi Feng**, Meishan (CN)

CN 305665420 S 3/2020

(72) Inventor: **Yuqi Feng**, Meishan (CN)

CN 305784135 S 5/2020

CN 305784211 S 5/2020

(**) Term: **15 Years**

OTHER PUBLICATIONS

(21) Appl. No.: **29/806,368**

Amazon.com.au, "MATEIN Women Laptop Bag, Laptop Briefcase 2 pcs set", First on sale Mar. 8, 2021. (<https://www.amazon.com.au/dp/B08NX8DNZH/>) (Year: 2021).*

(22) Filed: **Sep. 2, 2021**

* cited by examiner

(51) **LOC (14) Cl.** **03-01**

(52) **U.S. Cl.**

USPC **D3/246**

(58) **Field of Classification Search**

USPC D3/231, 245, 246, 273, 283, 284, 285,
D3/287, 289, 901, 900, 902, 903, 904,
D3/270, 271.1

CPC A45C 1/02; A45C 2011/003; A45C 3/06;
A45C 15/00

See application file for complete search history.

Primary Examiner — April Rivas

(74) *Attorney, Agent, or Firm* — Che-Yang Chen; Law Office of Michael Chen

(57) **CLAIM**

The ornamental design for a laptop bag, substantially as shown and described.

(56) **References Cited**

DESCRIPTION

U.S. PATENT DOCUMENTS

D772,566 S *	11/2016	Slimane	D3/245
D799,820 S *	10/2017	Guyon	D3/245
D854,824 S *	7/2019	Kern	D3/245
D869,159 S	12/2019	Li		
10,931,138 B2 *	2/2021	Zhijian	H02J 7/0042
D917,164 S *	4/2021	Zhang	D3/245
11,202,490 B1 *	12/2021	Lloyd	A45C 15/00
D942,146 S *	2/2022	Wang	D3/246
D956,419 S *	7/2022	Barlier	D3/283
2009/0224722 A1 *	9/2009	Causey	A45C 15/00 320/101
2020/0352300 A1 *	11/2020	Sube	A45C 15/00
2021/0344206 A1 *	11/2021	Danti	A45C 15/00

FIG. 1 is a top, front and right side perspective view of a laptop bag, showing my new design; FIG. 2 is a front elevational view thereof; FIG. 3 is a rear elevational view thereof; FIG. 4 is a right side elevational view thereof; FIG. 5 is a left side elevational view thereof; FIG. 6 is a top plan view thereof; and, FIG. 7 is a bottom plan view thereof. The broken lines illustrate portions of the laptop bag and form no part of the claimed design.

1 Claim, 7 Drawing Sheets





FIG. 1

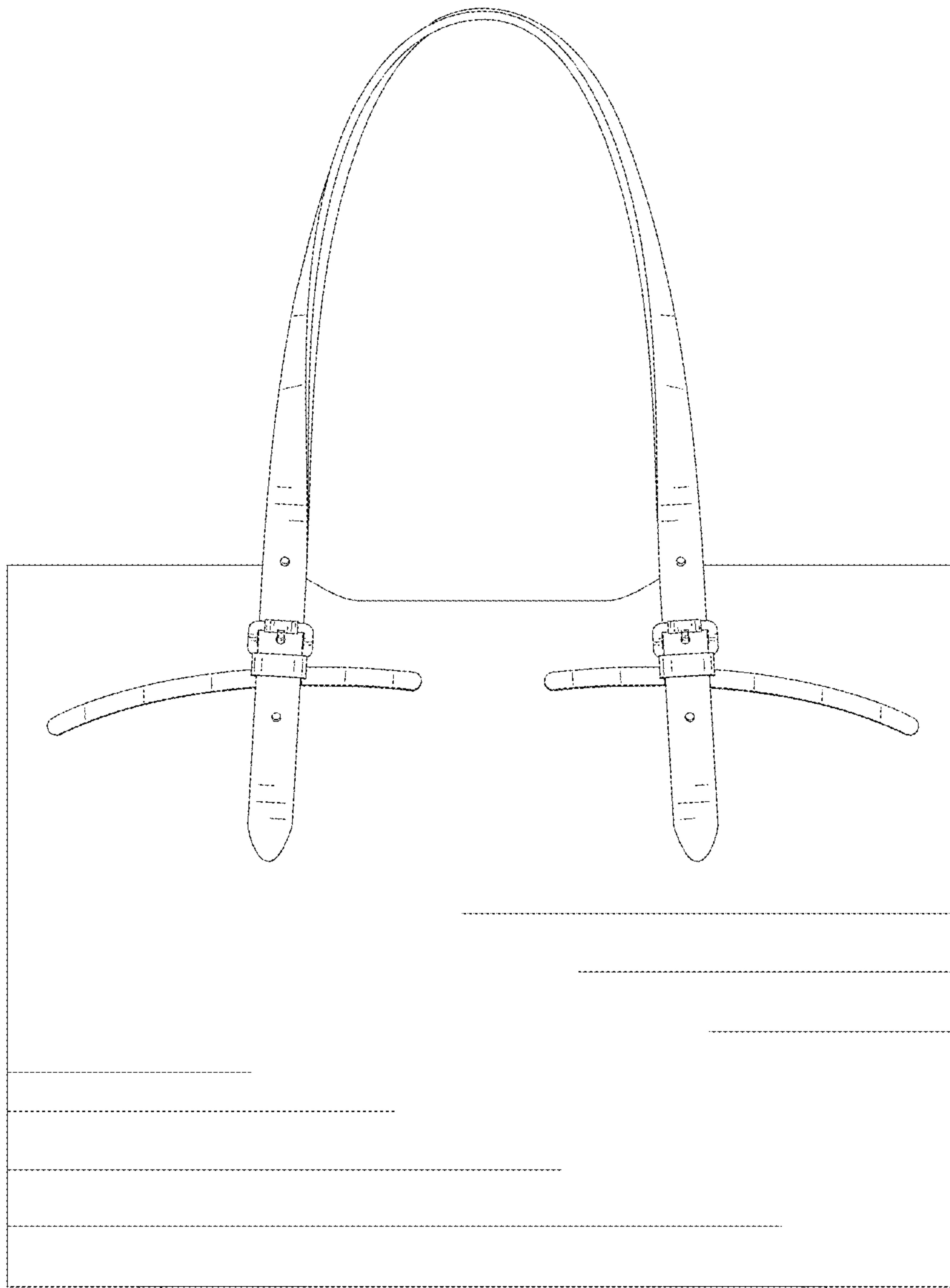


FIG. 2

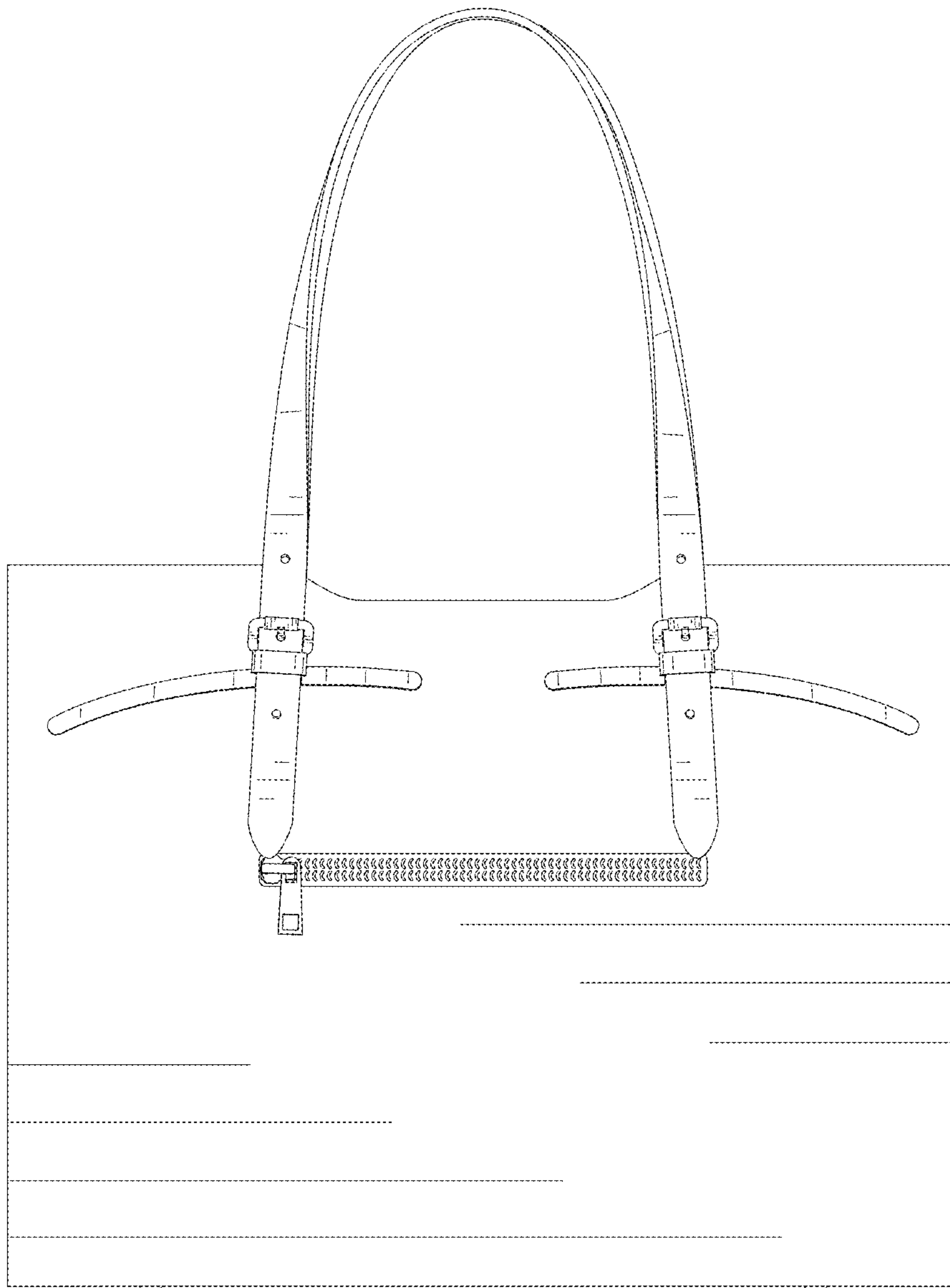


FIG. 3

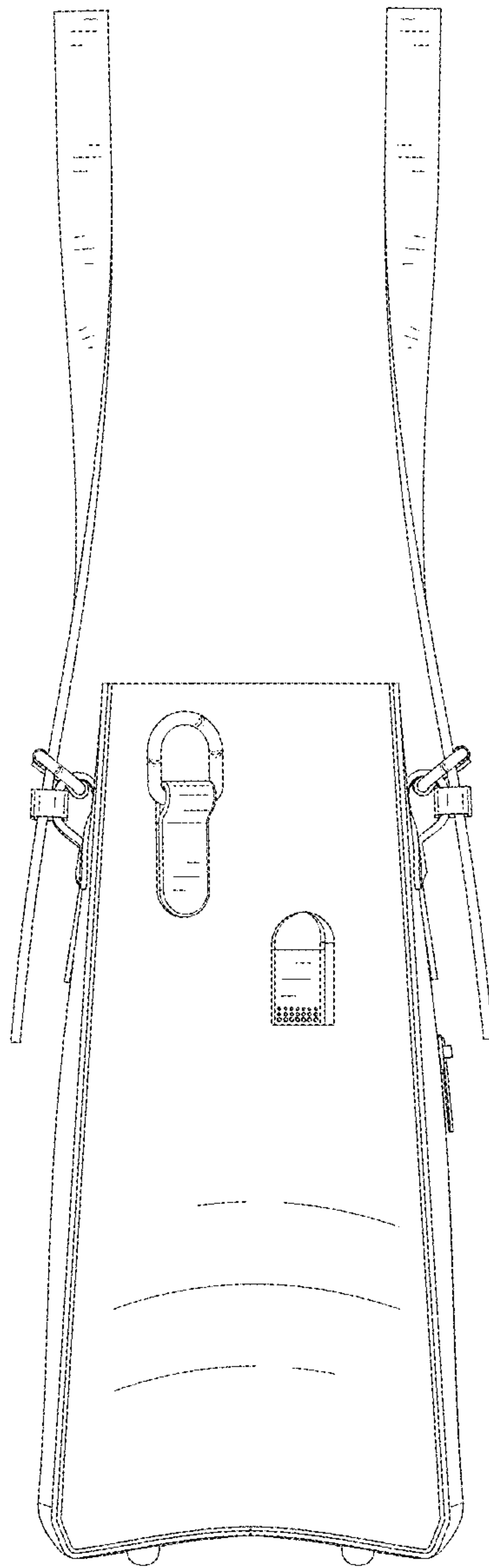


FIG. 4

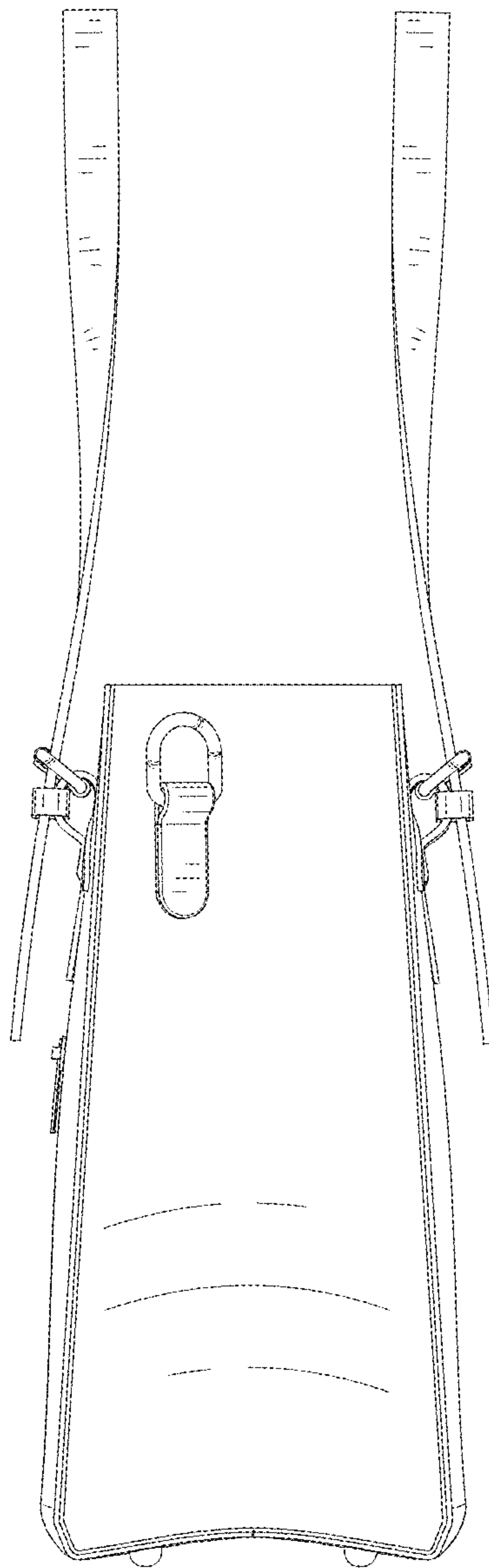


FIG. 5

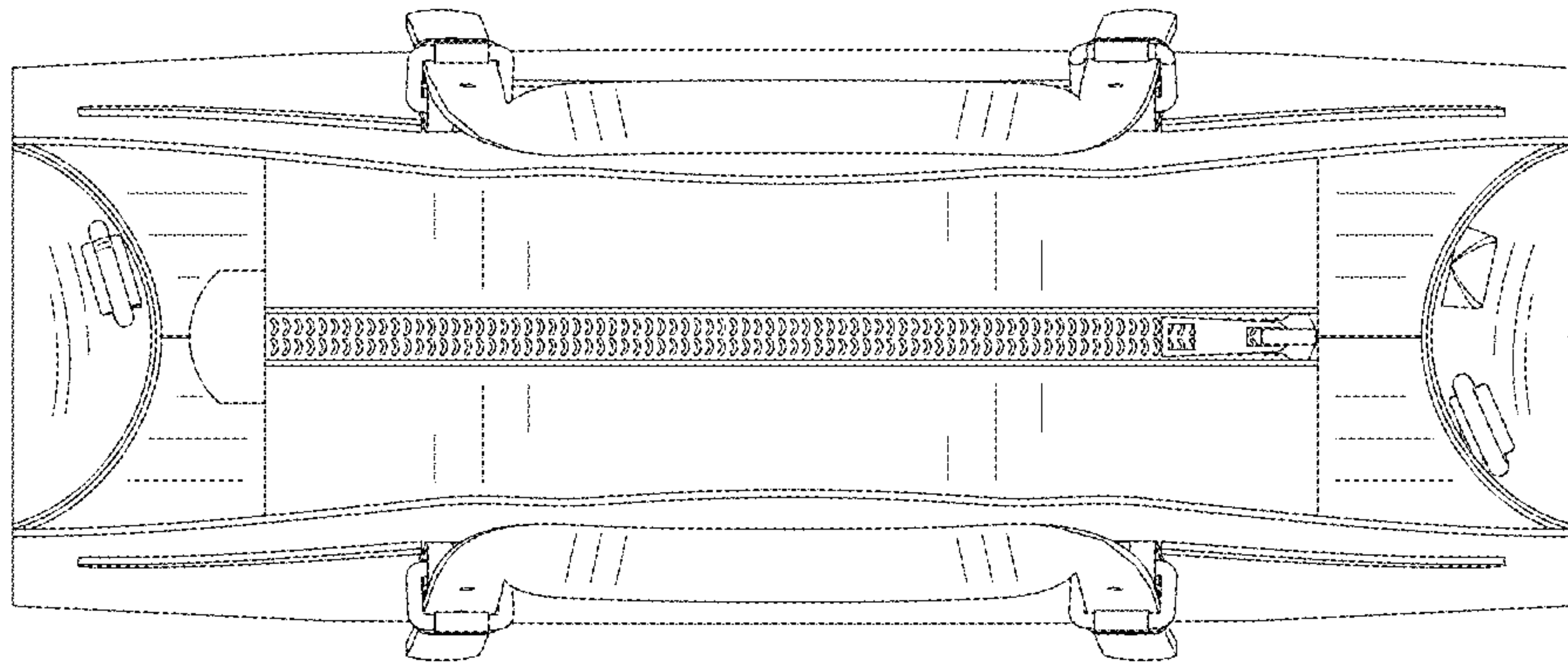


FIG. 6

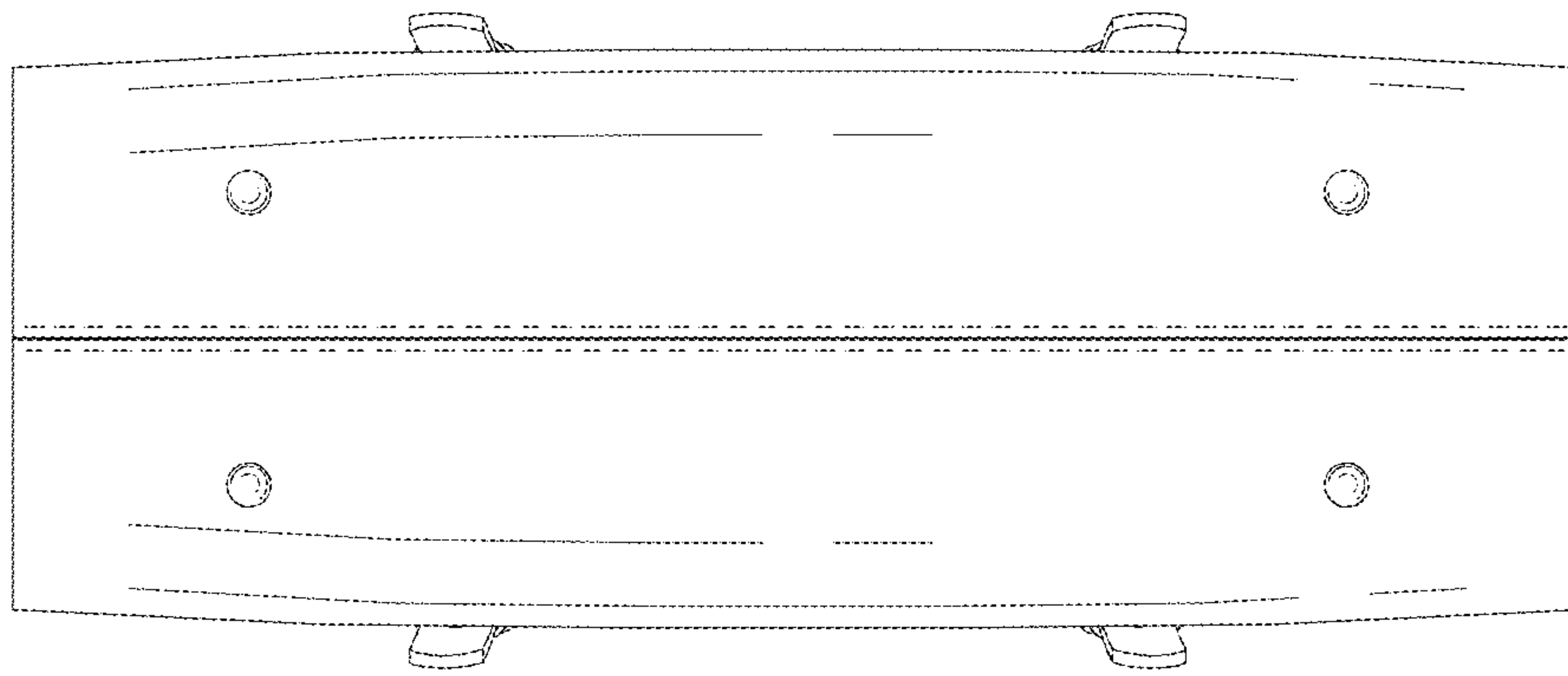


FIG. 7