



US00D981101S

(12) **United States Design Patent**
Jin

(10) **Patent No.:** **US D981,101 S**
(45) **Date of Patent:** **** Mar. 21, 2023**

(54) **OVERHANGING GARDEN PARASOL WITH CRANK TILT**

(71) Applicant: **Freestyle Outdoor Living Co., Ltd**, Zhejiang Province (CN)

(72) Inventor: **Ji Jin**, Zhejiang Province (CN)

(73) Assignee: **FREESTYLE OUTDOOR LIVING CO., LTD.**, Zhejiang Province (CN)

(**) Term: **15 Years**

(21) Appl. No.: **29/755,255**

(22) Filed: **Oct. 19, 2020**

(51) **LOC (14) Cl.** **03-03**

(52) **U.S. Cl.**
USPC **D3/5**

(58) **Field of Classification Search**
USPC D3/5-17; D8/387, 388; D11/181, 182; D15/139
CPC A45B 23/00; A45B 17/00; A45B 25/14; A45B 25/10
See application file for complete search history.

(56) **References Cited**

U.S. PATENT DOCUMENTS

- 6,478,037 B2 * 11/2002 Tung A45B 25/14 135/21
- 6,662,815 B2 * 12/2003 Tung A45B 17/00 135/21
- D509,954 S * 9/2005 Waltz D3/5

(Continued)

FOREIGN PATENT DOCUMENTS

- CN 303137854 * 3/2015
- GB 9008085328-0003 * 8/2020
- GB 6101952 * 9/2020

OTHER PUBLICATIONS

Amazon.com, site visited May 5, 2022, Cobana 10ft Offset Hanging Umbrella, oldest review dated Feb. 3, 2019, <https://www.amazon.com/COBANA-Umbrella-Cantilever-Aluminum-Rotation/dp/B09MHZ65ZH> (Year: 2019).*

(Continued)

Primary Examiner — Susan Bennett Hattan
Assistant Examiner — Jessica M Gebhart
(74) *Attorney, Agent, or Firm* — Tarolli, Sundheim, Covell & Tummino LLP

(57) **CLAIM**

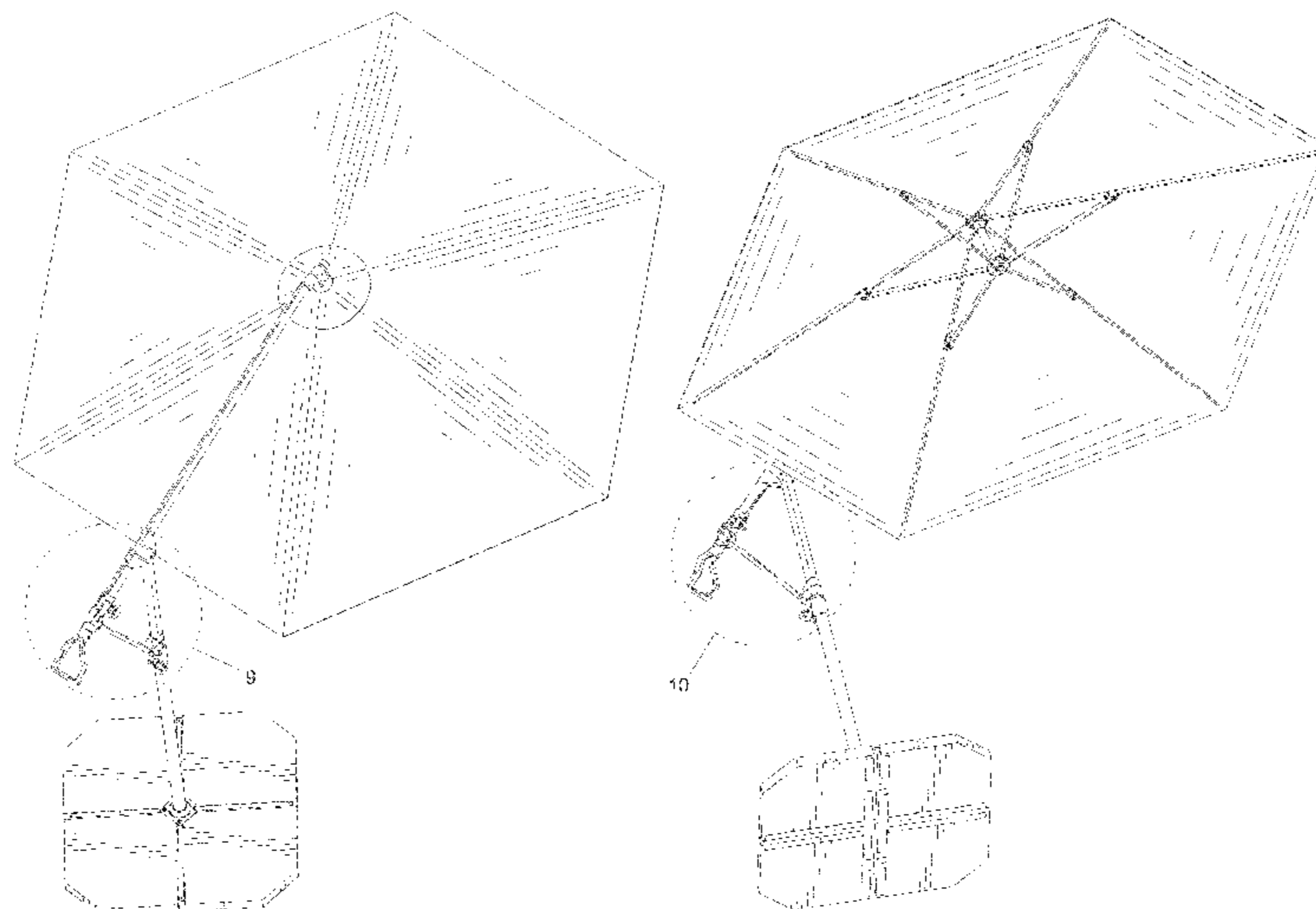
The ornamental design for an overhanging garden parasol with crank tilt, as shown and described.

DESCRIPTION

FIG. 1 is an upper right perspective view of an overhanging garden parasol with crank tilt in accordance with one example embodiment of the present disclosure;
 FIG. 2 is a lower right perspective view thereof;
 FIG. 3 is a front elevation view thereof;
 FIG. 4 is a rear elevation view thereof;
 FIG. 5 is a right side elevation view thereof;
 FIG. 6 is a left side elevation view thereof;
 FIG. 7 is a top plan view thereof;
 FIG. 8 is a bottom plan view thereof;
 FIG. 9 is a magnified view of an upper right perspective view thereof of the dashed circle 9 of FIG. 1;
 FIG. 10 is a magnified view of a lower right perspective view thereof of the dashed circle 10 of FIG. 2;
 FIG. 11 is a magnified view of a rear elevation view thereof of the dashed circle 11 of FIG. 4;
 FIG. 12 is a magnified view of a rear elevation view thereof of the dashed circle 12 of FIG. 4; and,
 FIG. 13 is a magnified view of a left side elevation view thereof of the dashed circle 13 of FIG. 6.

The broken lines depict the locations of magnified views and borders of magnified views, and form no part of the claimed design.

1 Claim, 13 Drawing Sheets



(56)

References Cited

U.S. PATENT DOCUMENTS

7,556,051 B2 * 7/2009 Lai A45B 23/00
135/21
7,717,121 B2 * 5/2010 Glatz A45B 23/00
135/21
7,913,707 B2 * 3/2011 Lai A45B 17/00
135/21
8,555,904 B1 * 10/2013 Lai E04H 12/2238
135/21
2008/0223422 A1 * 9/2008 Lai A45B 23/00
135/21
2011/0005558 A1 * 1/2011 Lai A45B 17/00
135/20.1
2014/0230867 A1 * 8/2014 Ma A45B 17/00
135/20.1

OTHER PUBLICATIONS

Danskemobler.co.nz, site visited May 5, 2022, Atlas Outdoor Umbrella Base, published via wayback machine on Feb. 21, 2020, <https://web.archive.org/web/20200221053216/https://danskemobler.co.nz/product/2758-Atlas-3m-Square-Cantilever-Outdoor-Umbrella> (Year: 2020).*

youtube.com, site visited May 5, 2022, "Cantilever Parasol" uploaded Aug. 19, 2015 by Clifford James Home, <https://www.youtube.com/watch?v=IFshCPK5ByY> (Year: 2015).*

Thespruce.com, site visited May 5, 2022, "Hampton Bay 11 ft LED Offset Solar Umbrella Is Sturdy," published Jul. 31, 2019 by Danielle Centoni, www.thespruce.com/hampton-bay-11-ft-led-offset-solar-umbrella-review-4705534 (Year: 2019).*

* cited by examiner

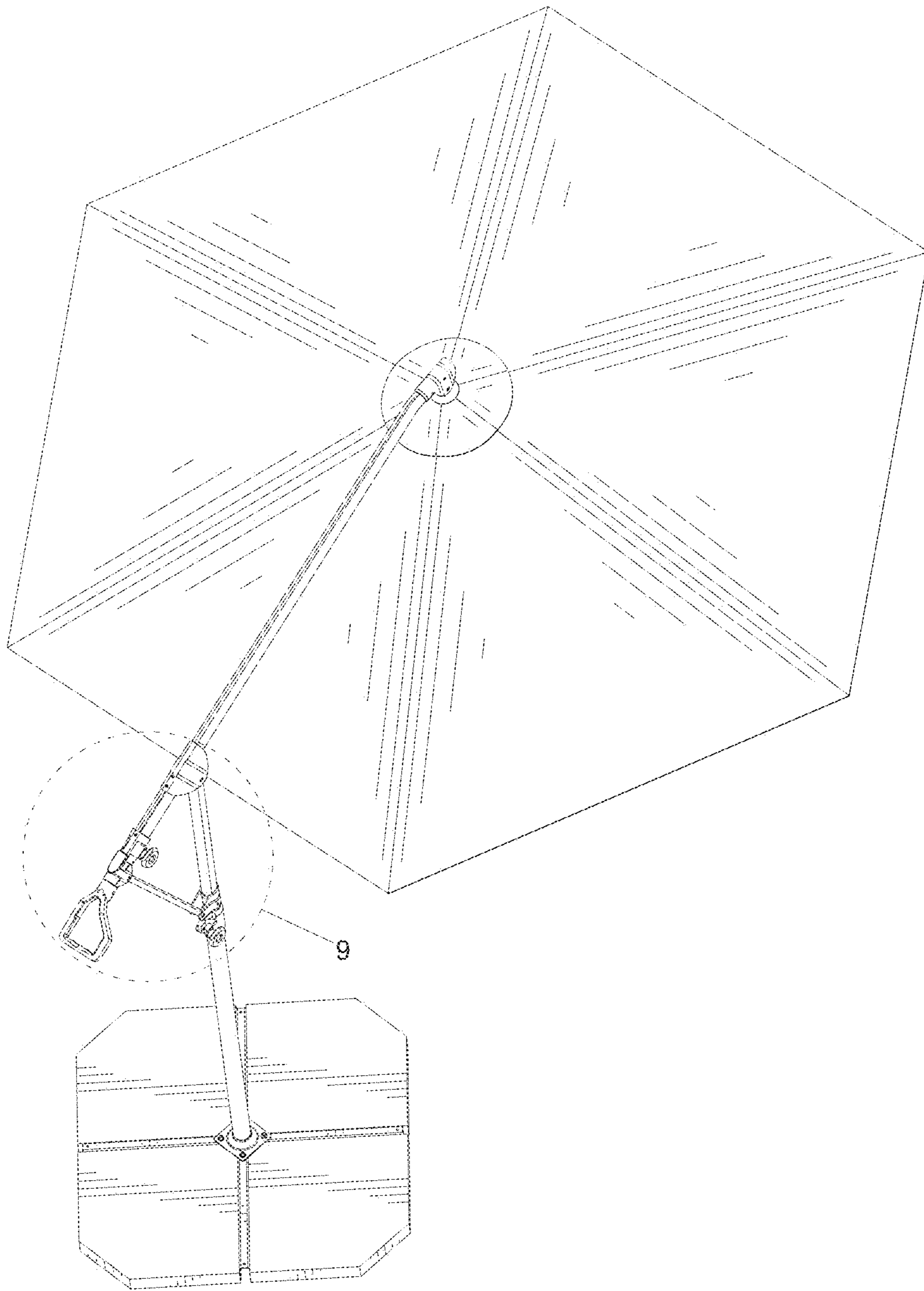


FIG.1

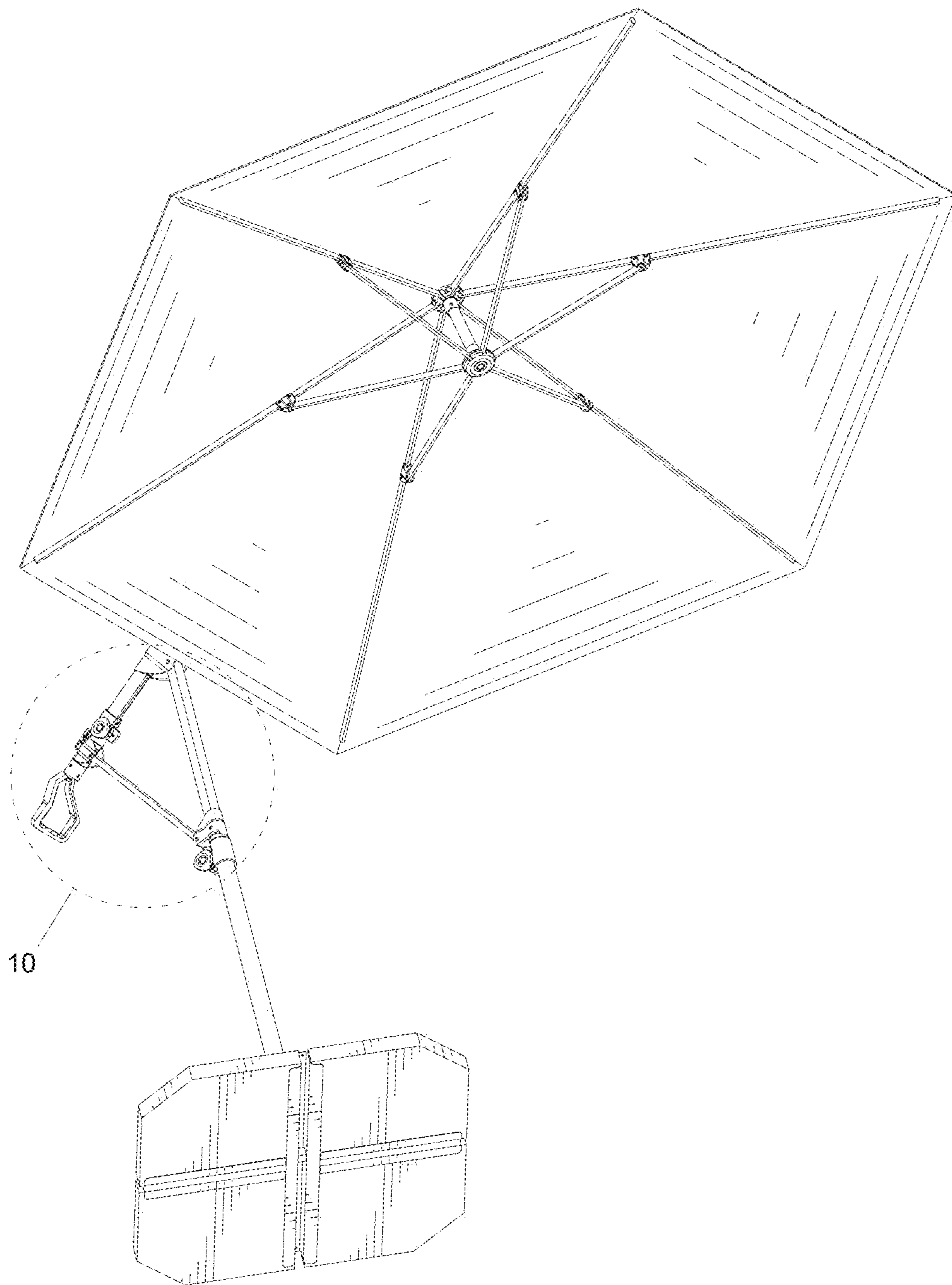


FIG.2

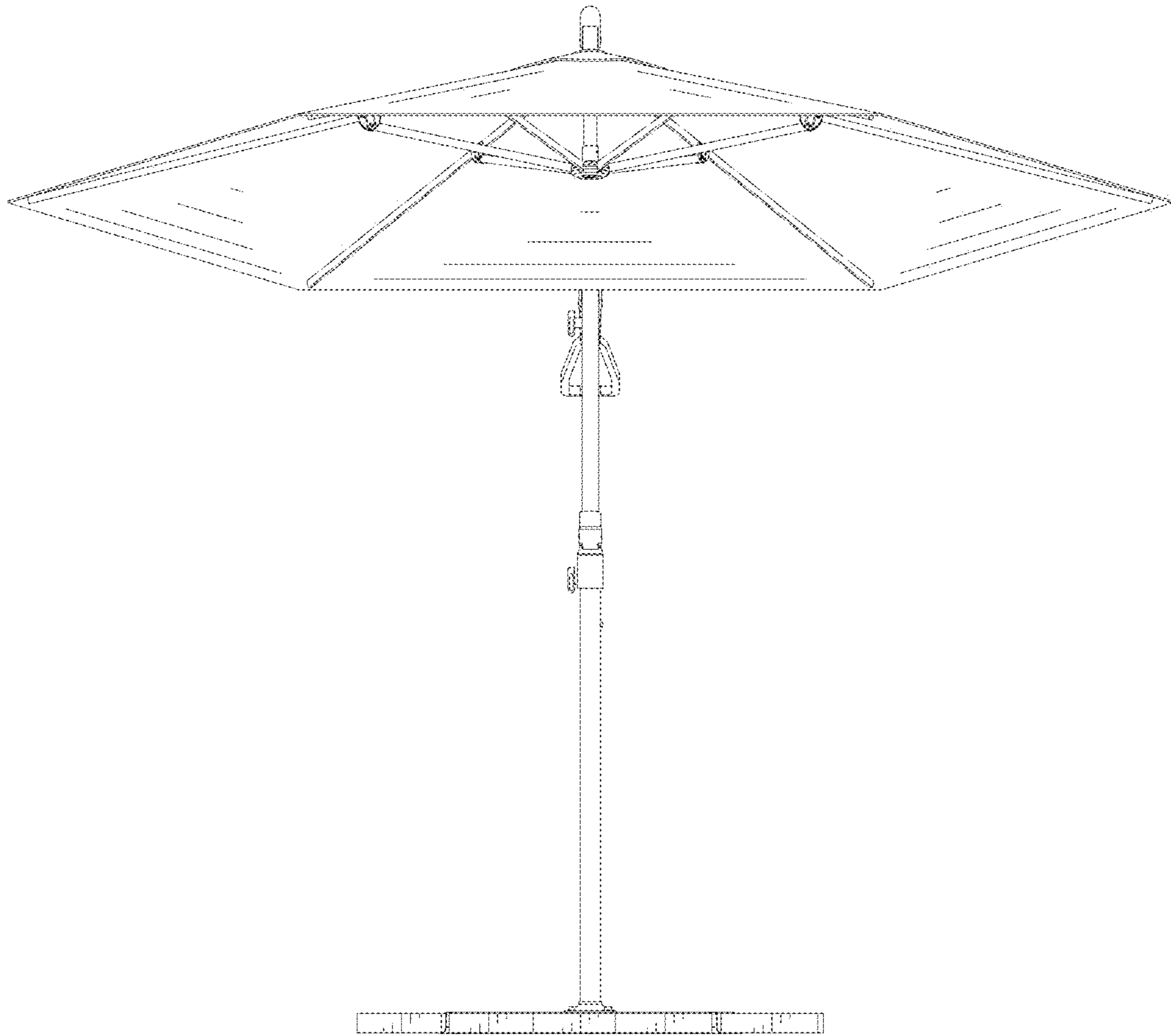


FIG.3

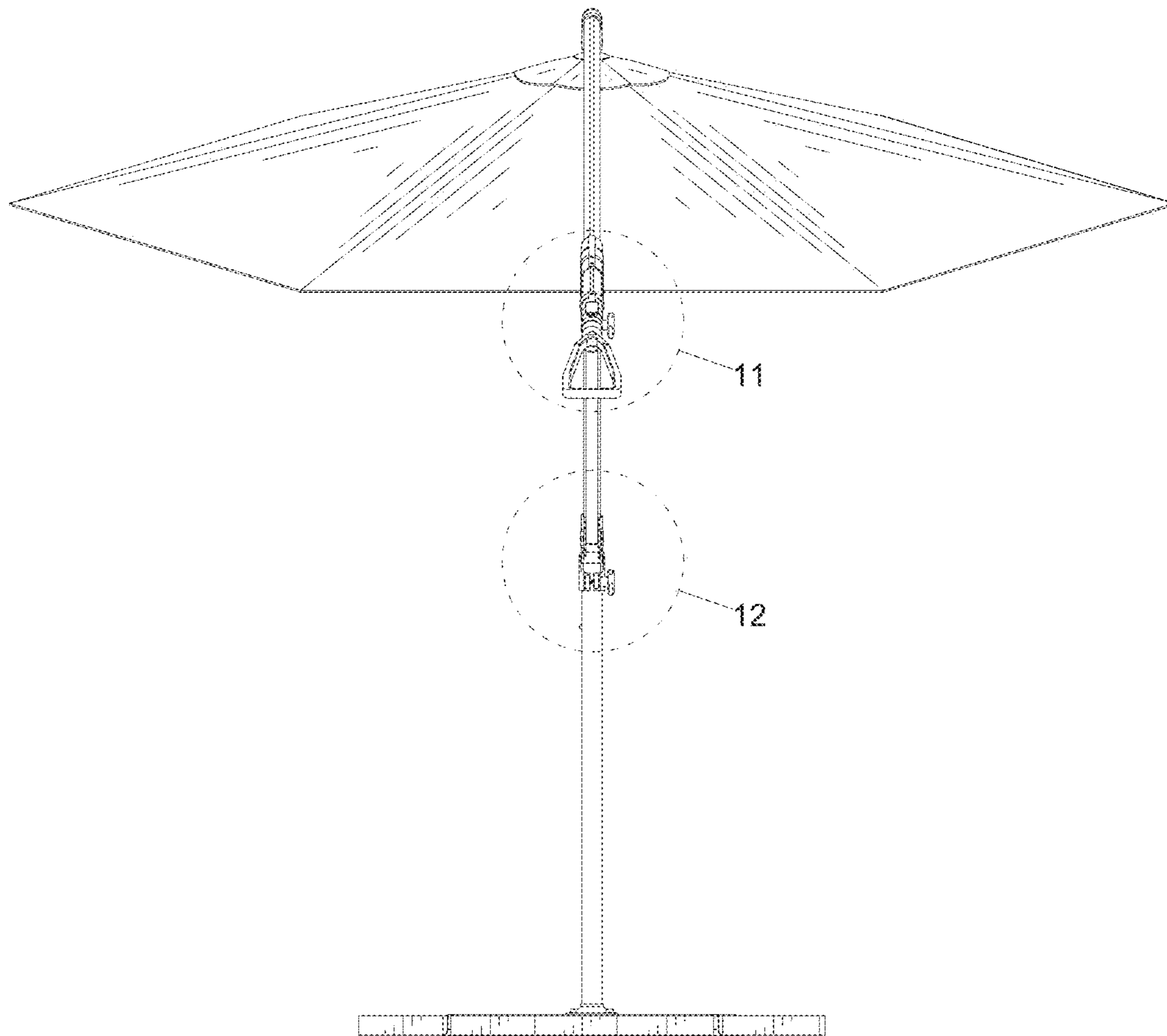


FIG. 4

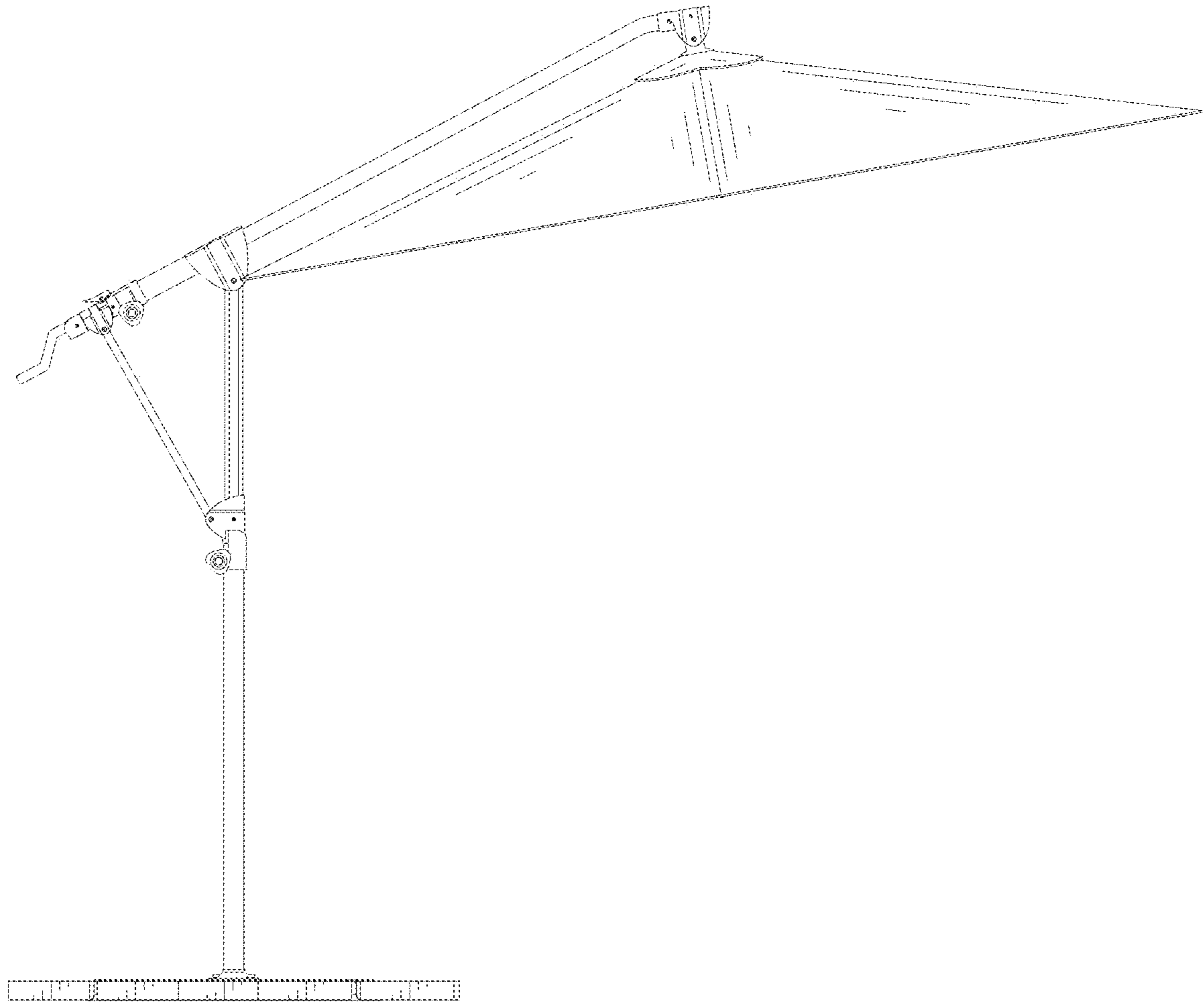


FIG.5

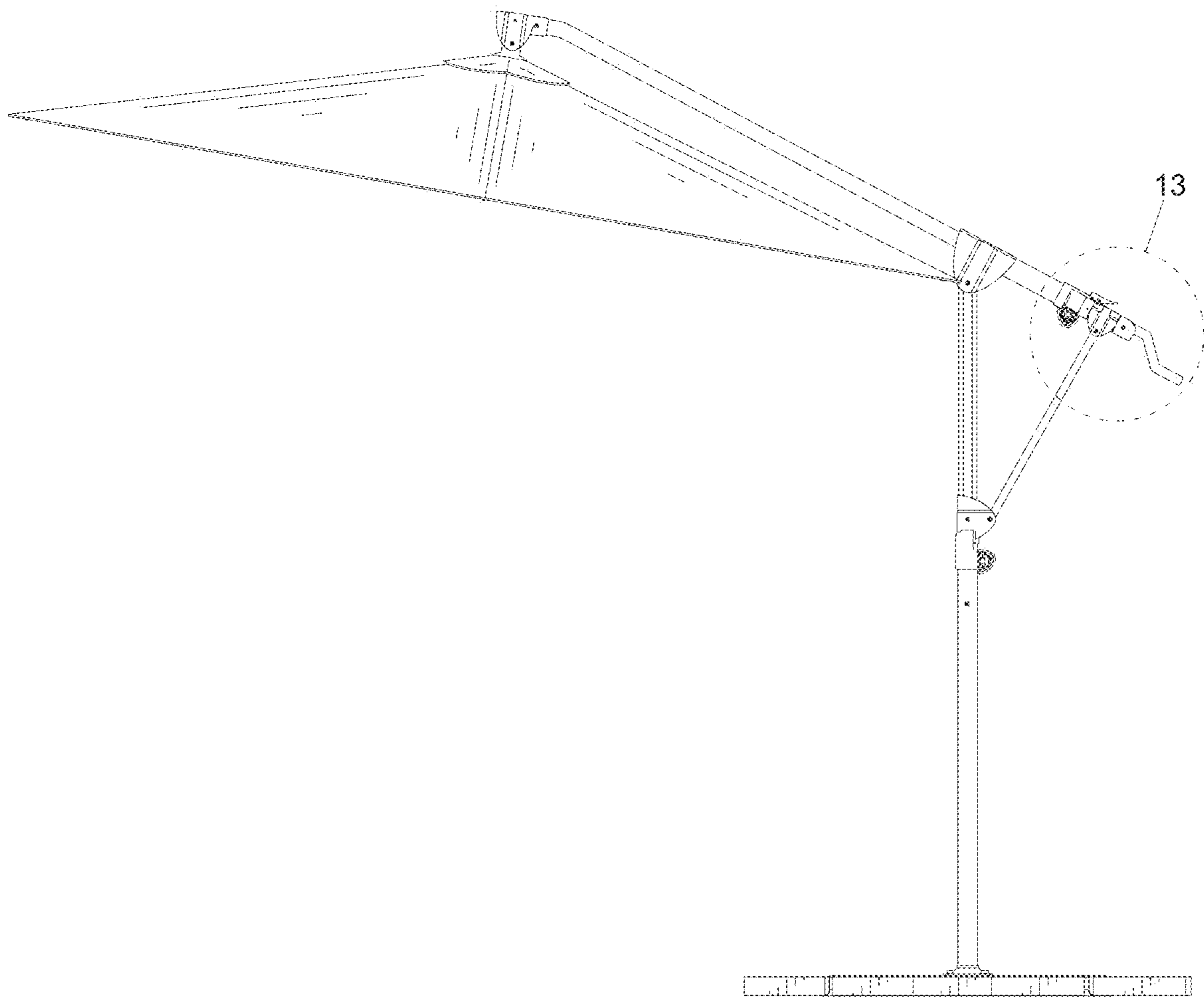


FIG.6

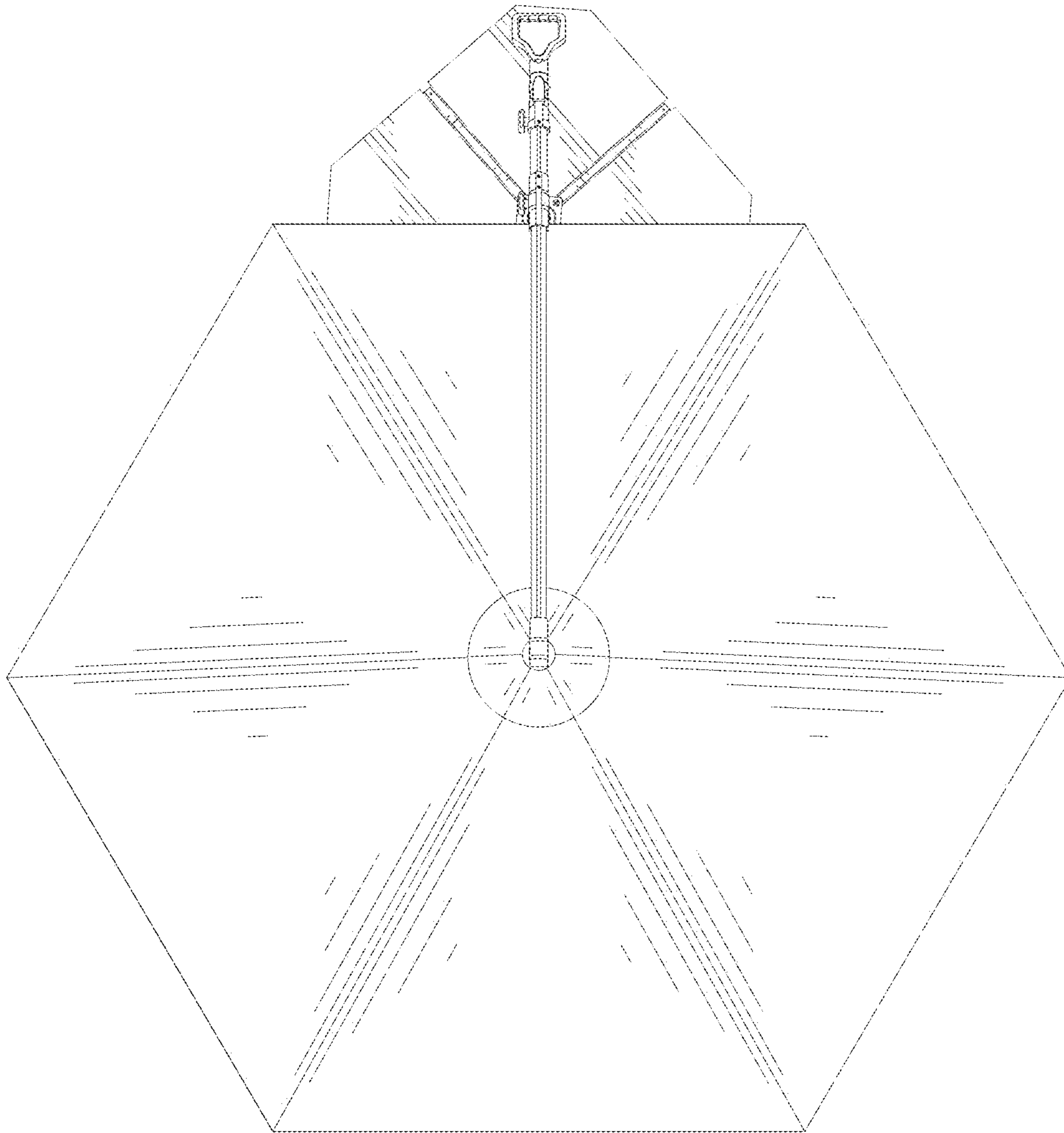


FIG.7

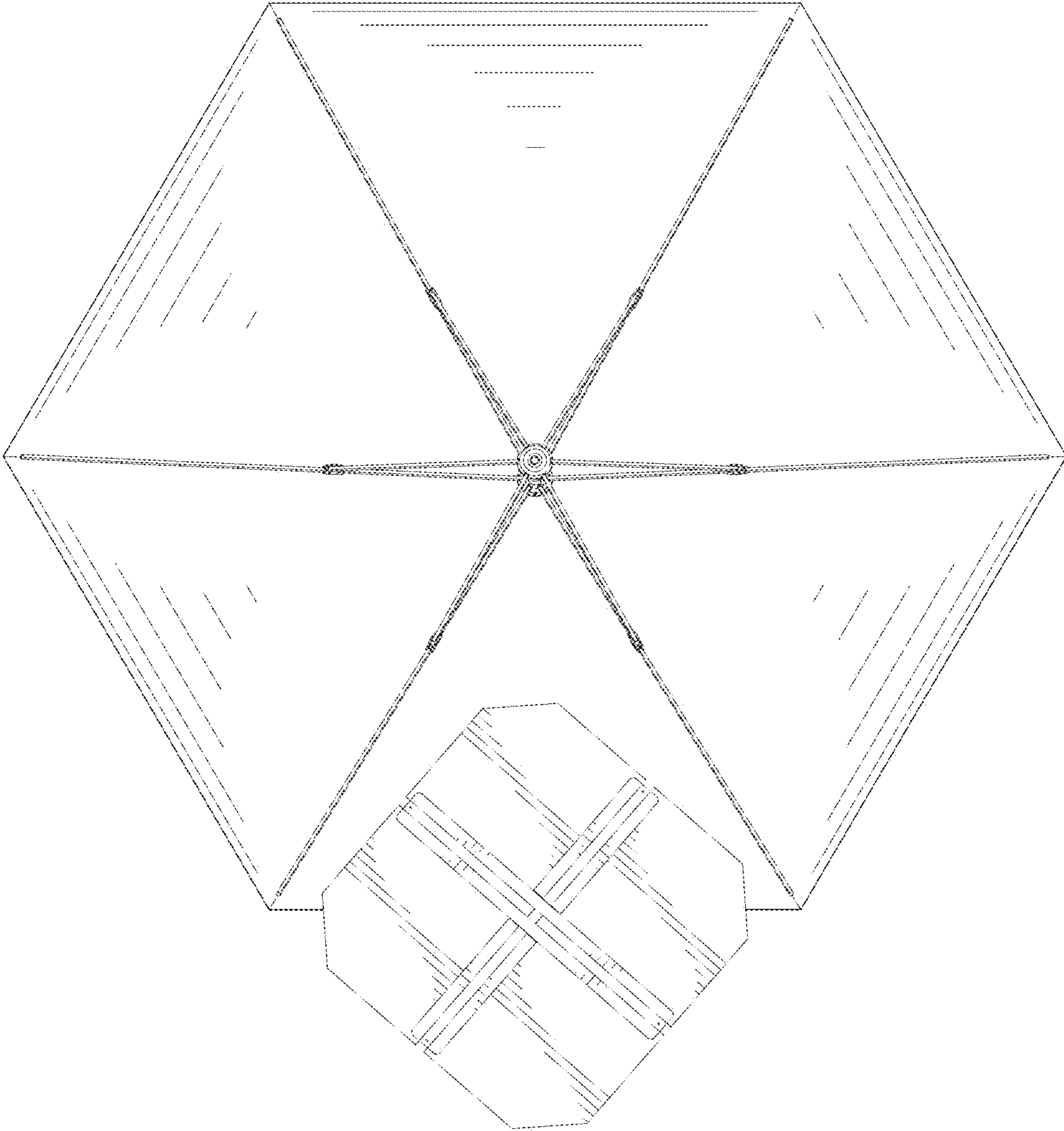


FIG.8

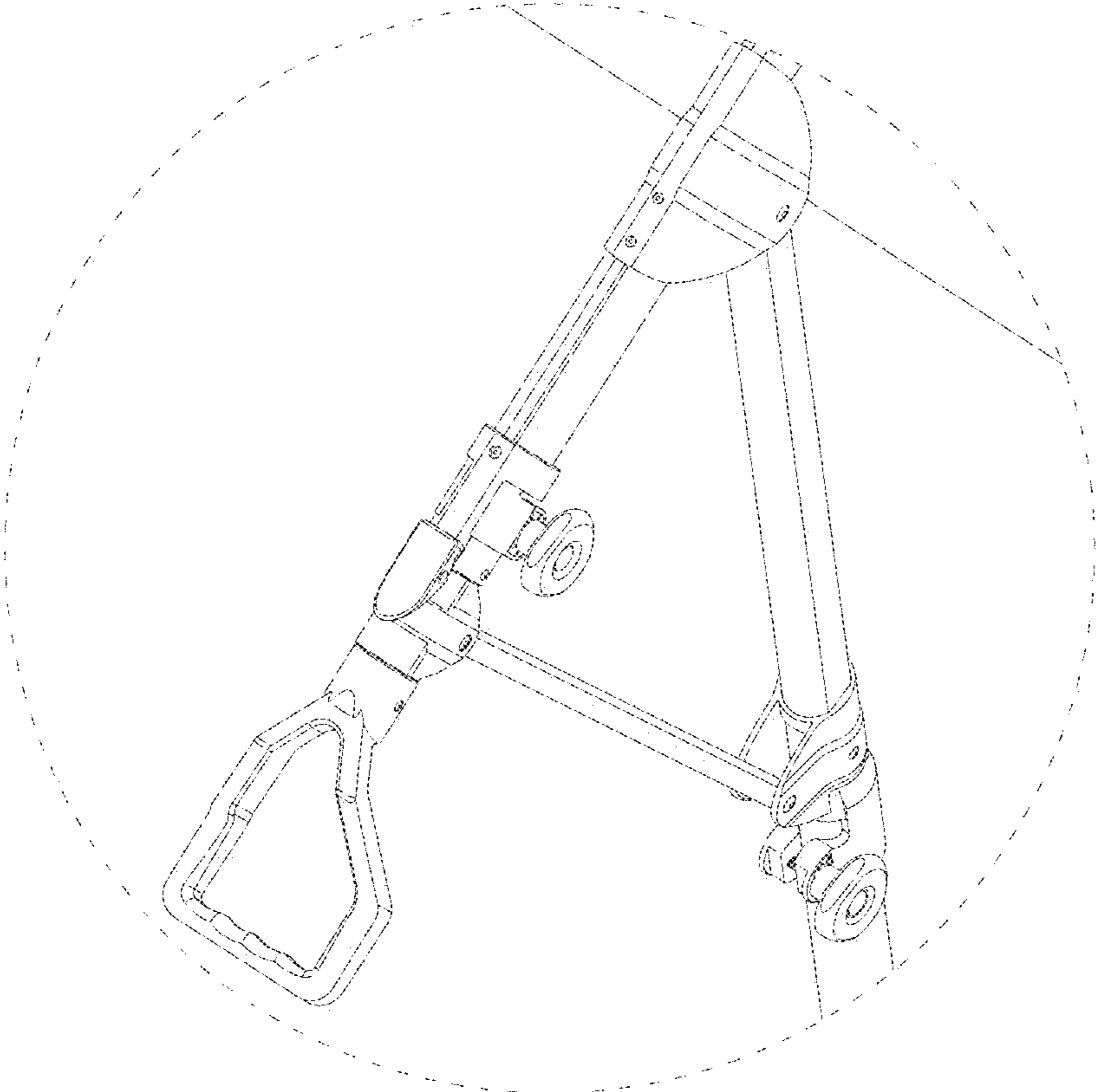


FIG.9

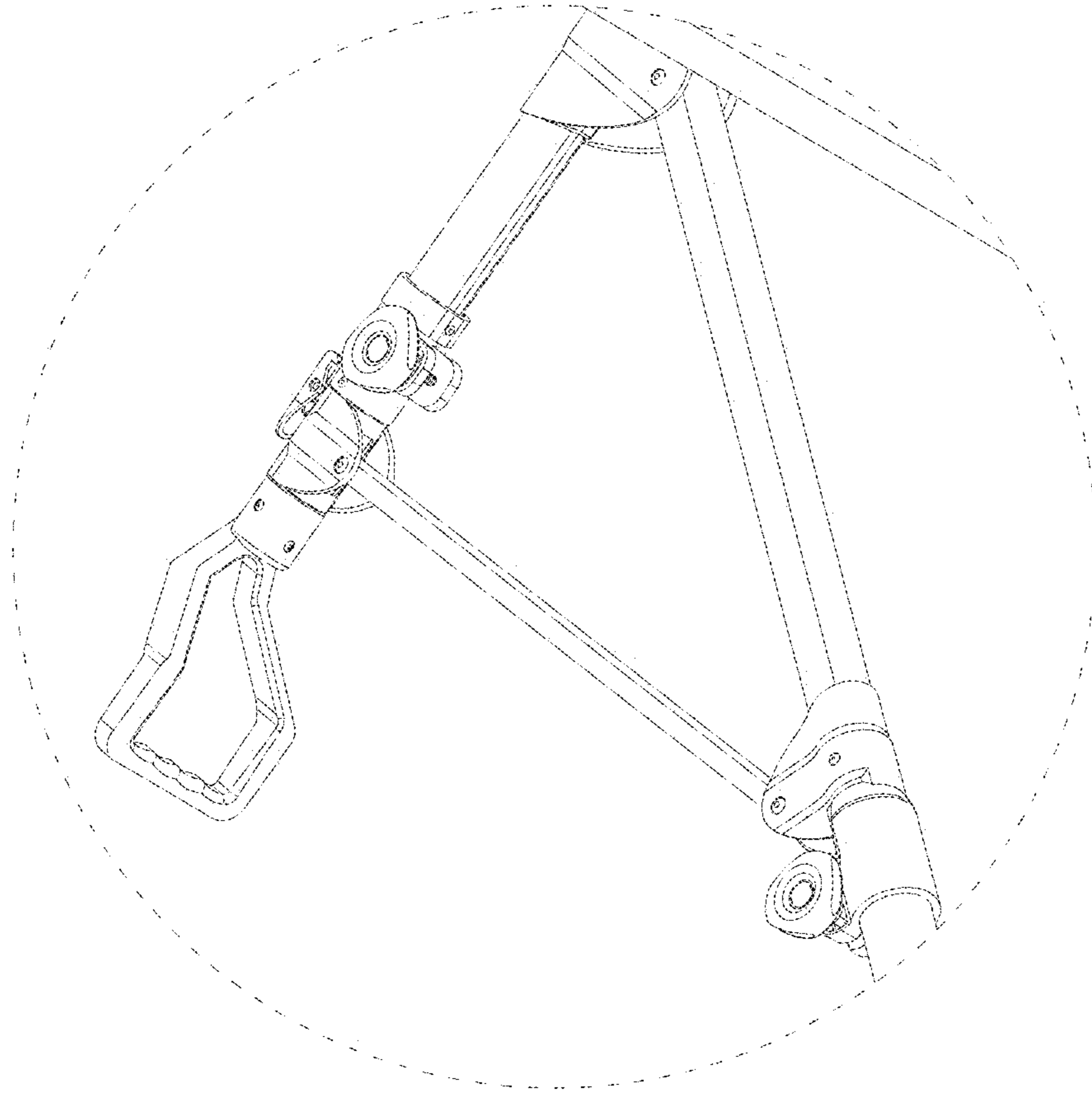


FIG.10

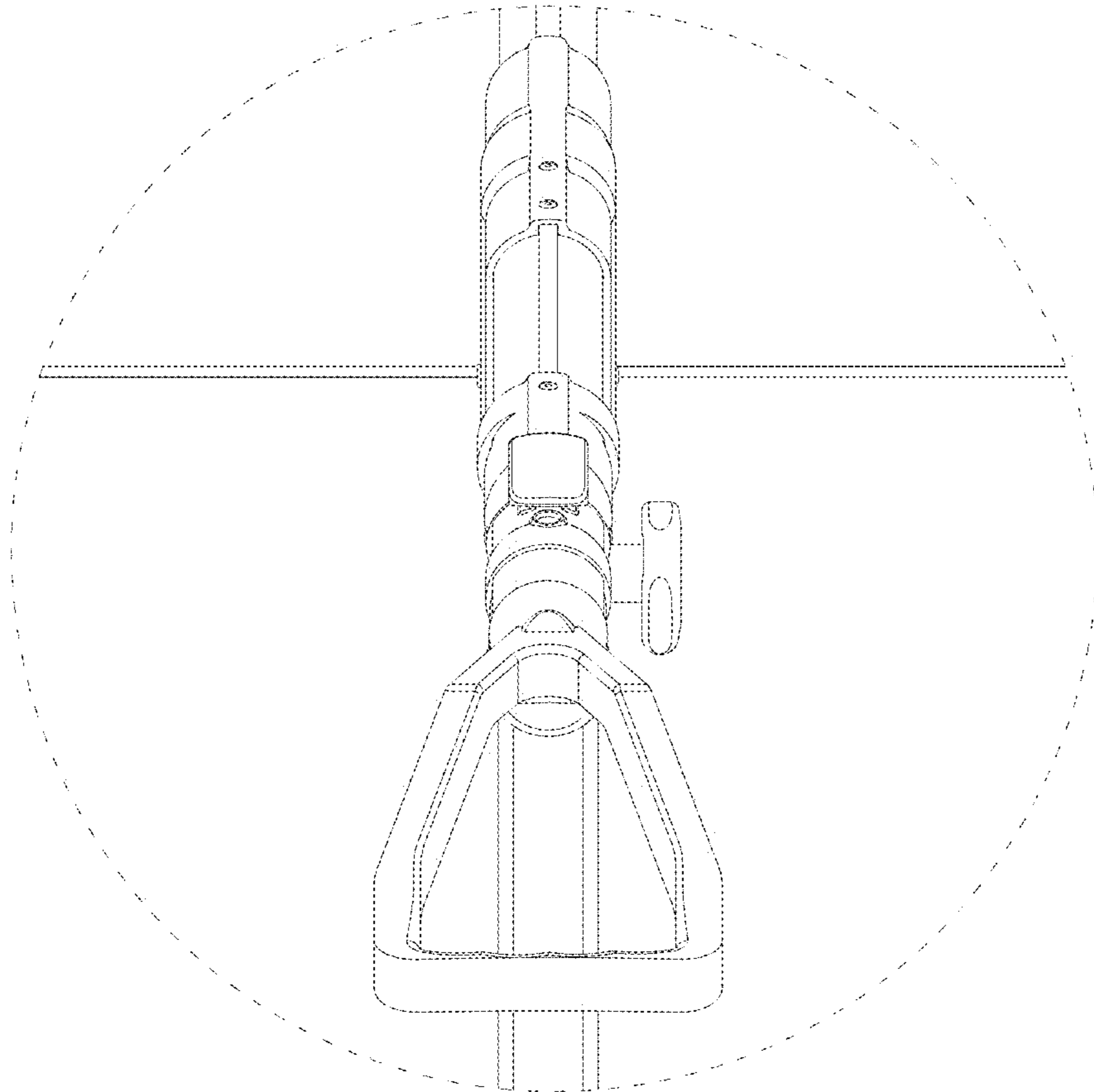


FIG.11

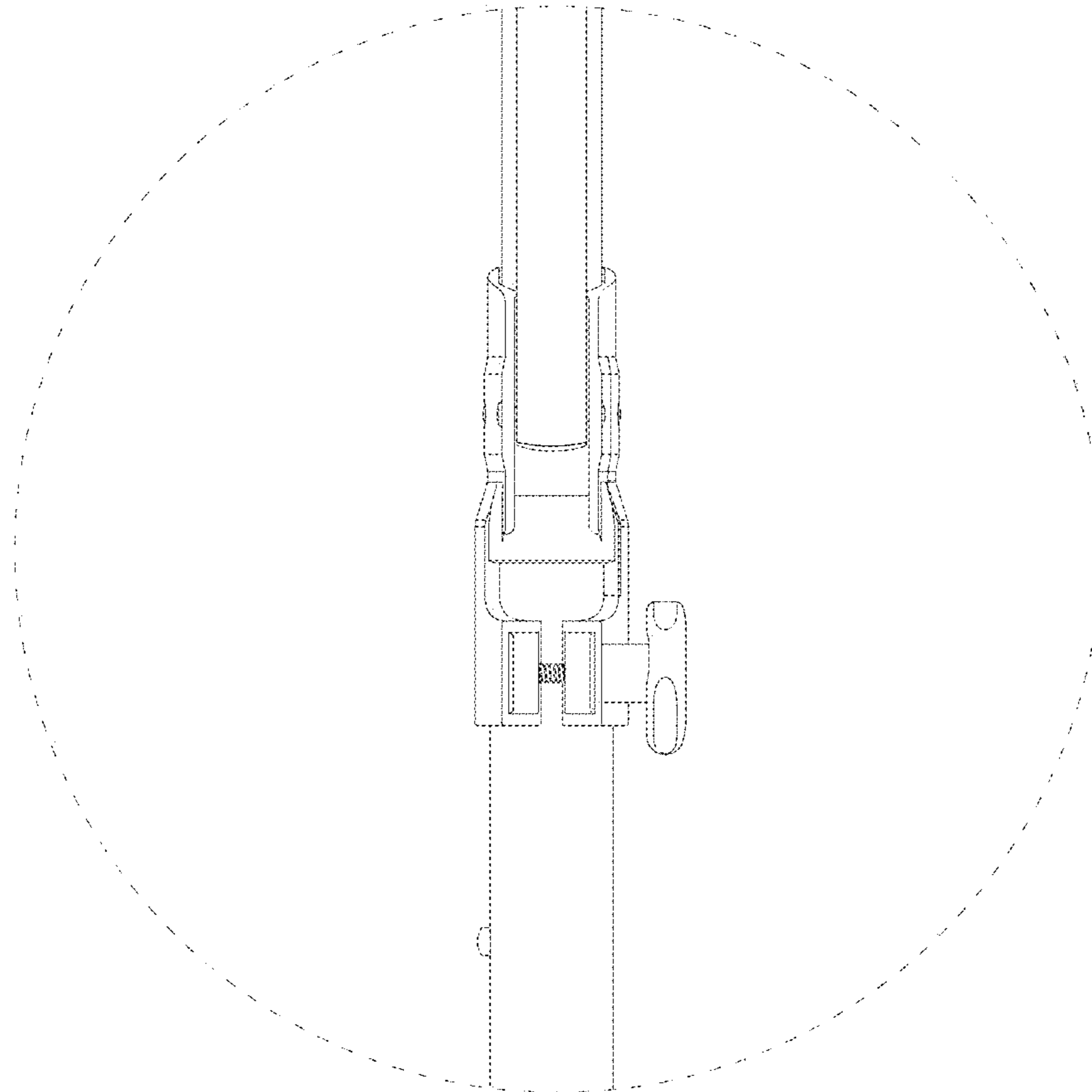


FIG.12

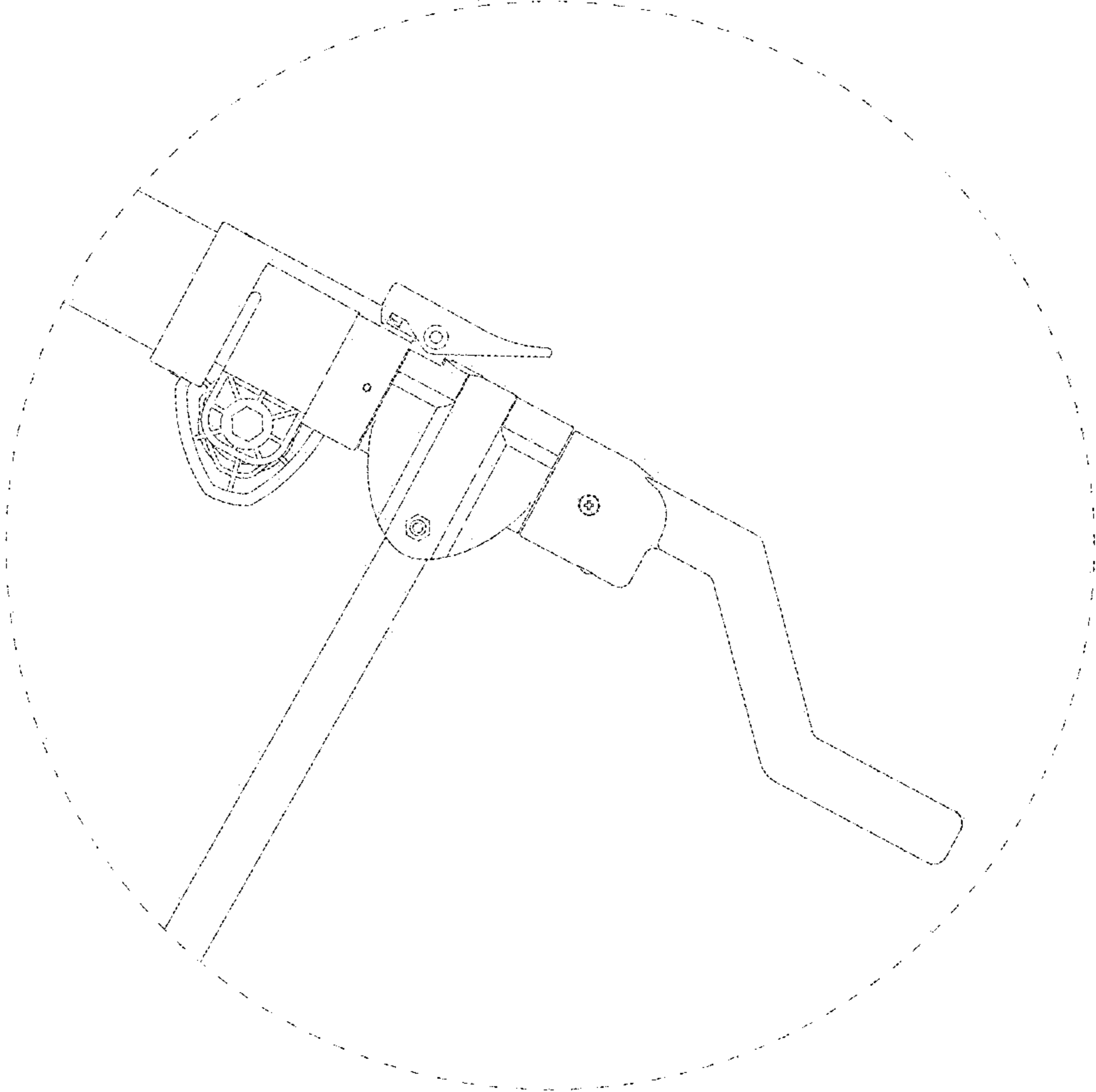


FIG.13