



US00D981085S

(12) **United States Design Patent**  
**Oh**

(10) **Patent No.:** **US D981,085 S**

(45) **Date of Patent:** **\*\* Mar. 21, 2023**

(54) **FASHIONABLE CAP WITH LED PATCH**

(71) Applicant: **Young Sook Oh**, Daegu (KR)

(72) Inventor: **Young Sook Oh**, Daegu (KR)

(\*\*) Term: **15 Years**

(21) Appl. No.: **29/739,005**

(22) Filed: **Jun. 22, 2020**

(51) **LOC (14) Cl.** ..... **02-03**

(52) **U.S. Cl.**

USPC ..... **D2/866; D2/882**

(58) **Field of Classification Search**

USPC ..... D2/865, 866, 869, 870, 871, 872, 873,  
D2/874, 875, 876, 877, 878, 879, 880,  
D2/881, 882, 883, 884, 885, 886, 887,  
D2/888, 889, 890, 891, 892, 893, 894,  
D2/895

CPC .. A42B 1/00; A42B 1/004; A42B 1/02; A42B  
1/06; A42B 1/206; A42B 1/24; A42B  
1/242; A42B 1/245; A42B 1/247; A42B  
1/248; A42C 5/00

See application file for complete search history.

(56) **References Cited**

**U.S. PATENT DOCUMENTS**

D311,266 S \* 10/1990 Parker ..... 2/209.13  
D417,063 S \* 11/1999 Henning ..... D2/866  
D453,261 S \* 2/2002 Pisarevsky ..... D2/866  
7,174,573 B1 \* 2/2007 Chen ..... A42B 1/08  
2/195.1

D567,480 S \* 4/2008 Harris ..... D2/882  
D801,642 S \* 11/2017 Johnson ..... D2/866  
D811,056 S \* 2/2018 Zenoff ..... D2/882  
D901,844 S \* 11/2020 McGuinness ..... D2/882  
10,939,717 B2 \* 3/2021 Shepherd ..... A42B 1/244  
2017/0095027 A1 \* 4/2017 Campbell ..... A42B 1/22  
2020/0297057 A1 \* 9/2020 Davis ..... A42B 1/205  
2021/0112901 A1 \* 4/2021 Rodgers ..... A42B 1/008

\* cited by examiner

*Primary Examiner* — Jasmine Mlinarcik

(74) *Attorney, Agent, or Firm* — Stephen Chai

(57) **CLAIM**

The ornamental design for a fashionable cap with LED patch, as shown and described.

**DESCRIPTION**

FIG. 1 is a perspective view of a fashionable cap with a LED patch according to the present design.

FIG. 2 is a front view of the fashionable cap with the LED patch of FIG. 1.

FIG. 3 is a back view of the fashionable cap with the LED patch of FIG. 1.

FIG. 4 is a right side view of the fashionable cap with the LED patch of FIG. 1.

FIG. 5 is a left side view of the fashionable cap with the LED patch of FIG. 1.

FIG. 6 is a top view of the fashionable cap with the LED patch of FIG. 1; and,

FIG. 7 is a bottom view of the fashionable cap with the LED patch of FIG. 1.

**1 Claim, 7 Drawing Sheets**



FIG. 1

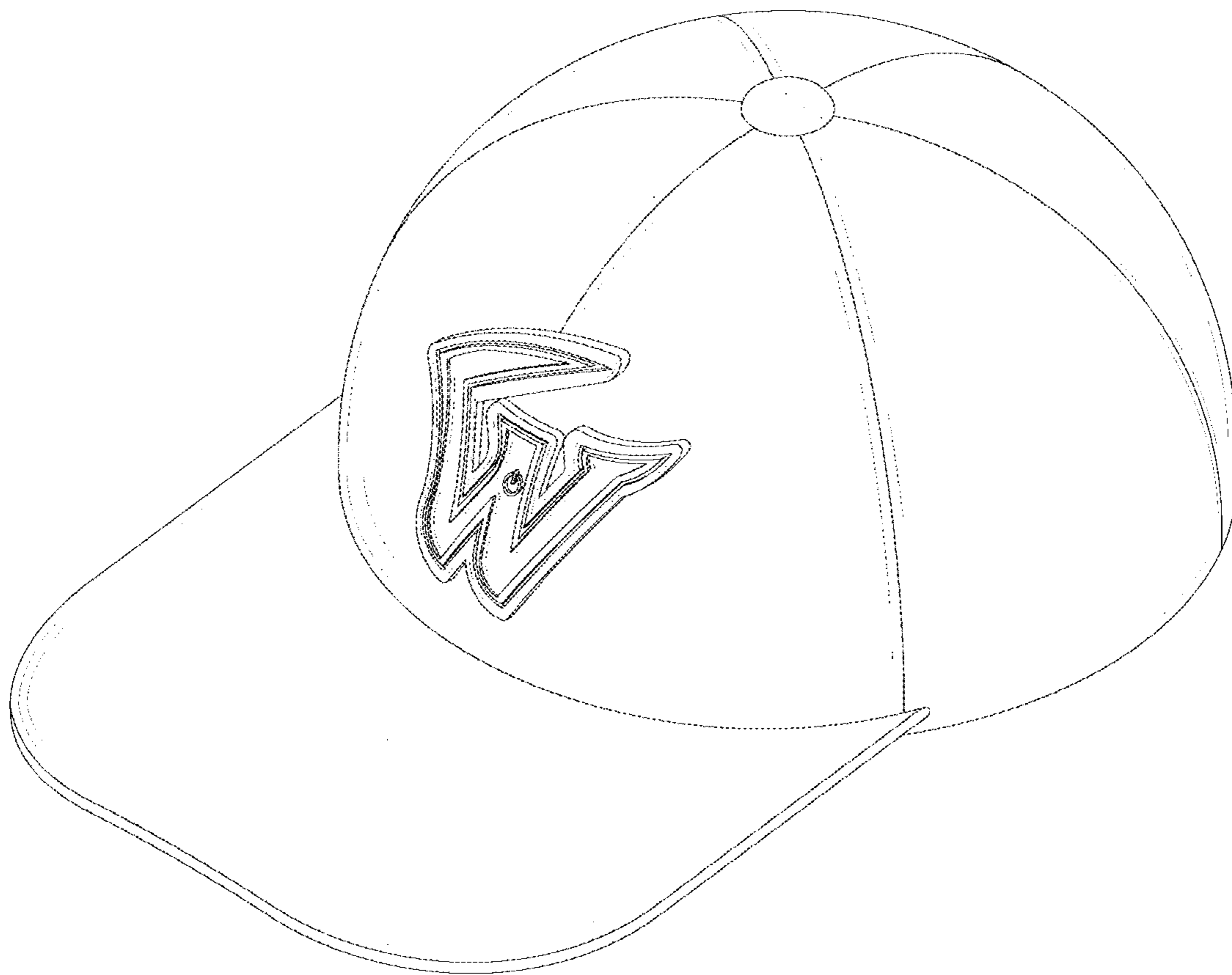


FIG. 2

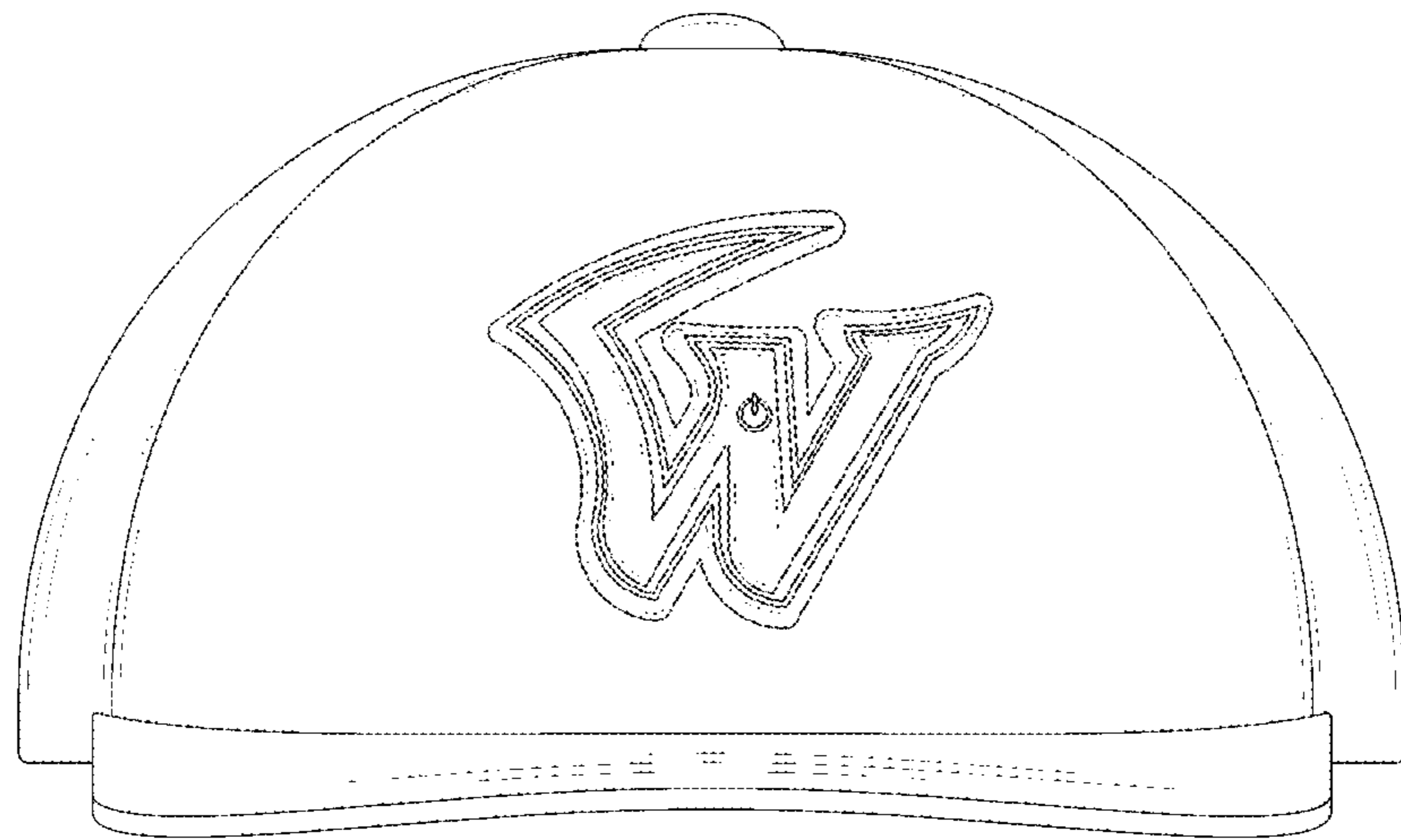


FIG. 3

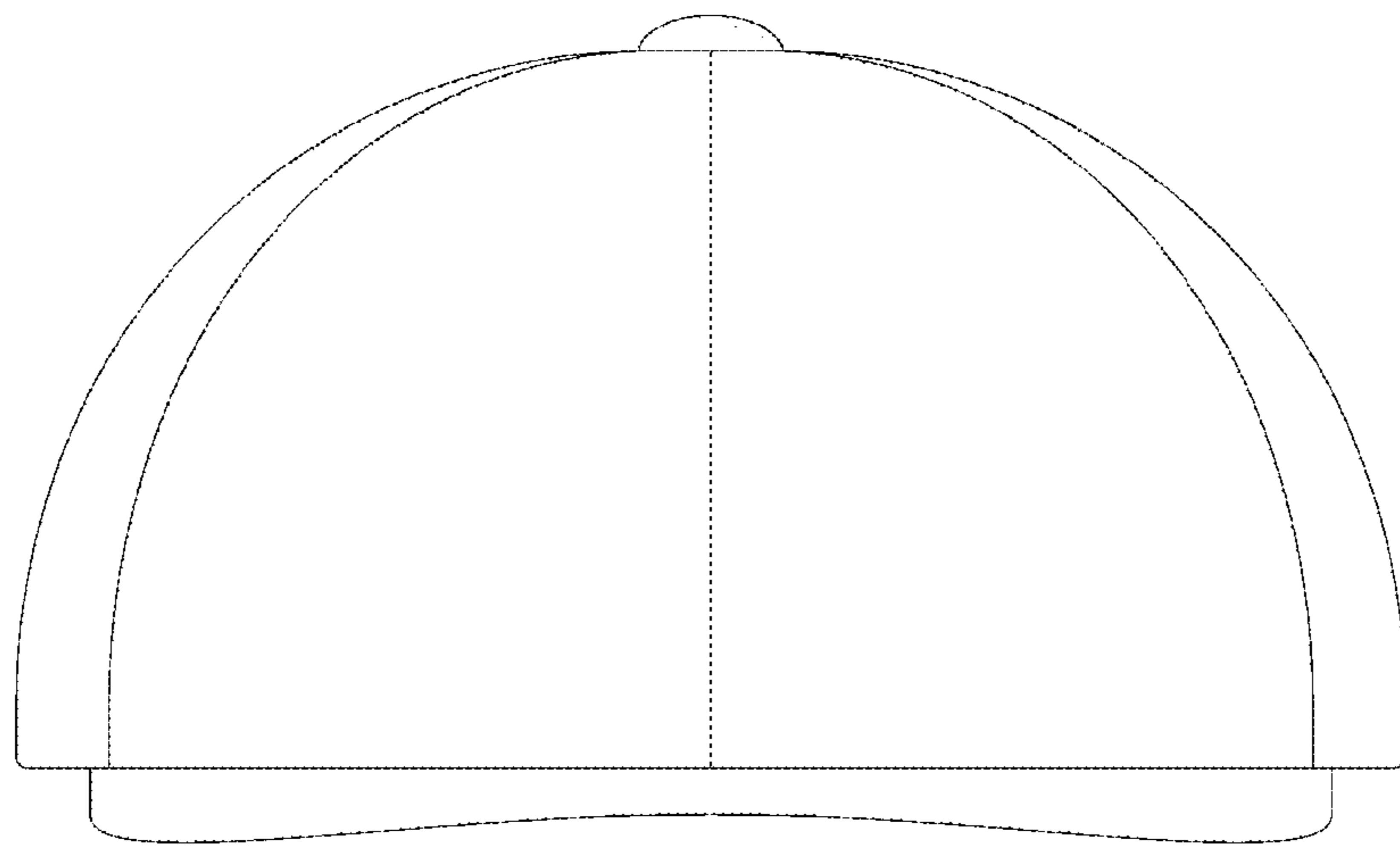


FIG. 4

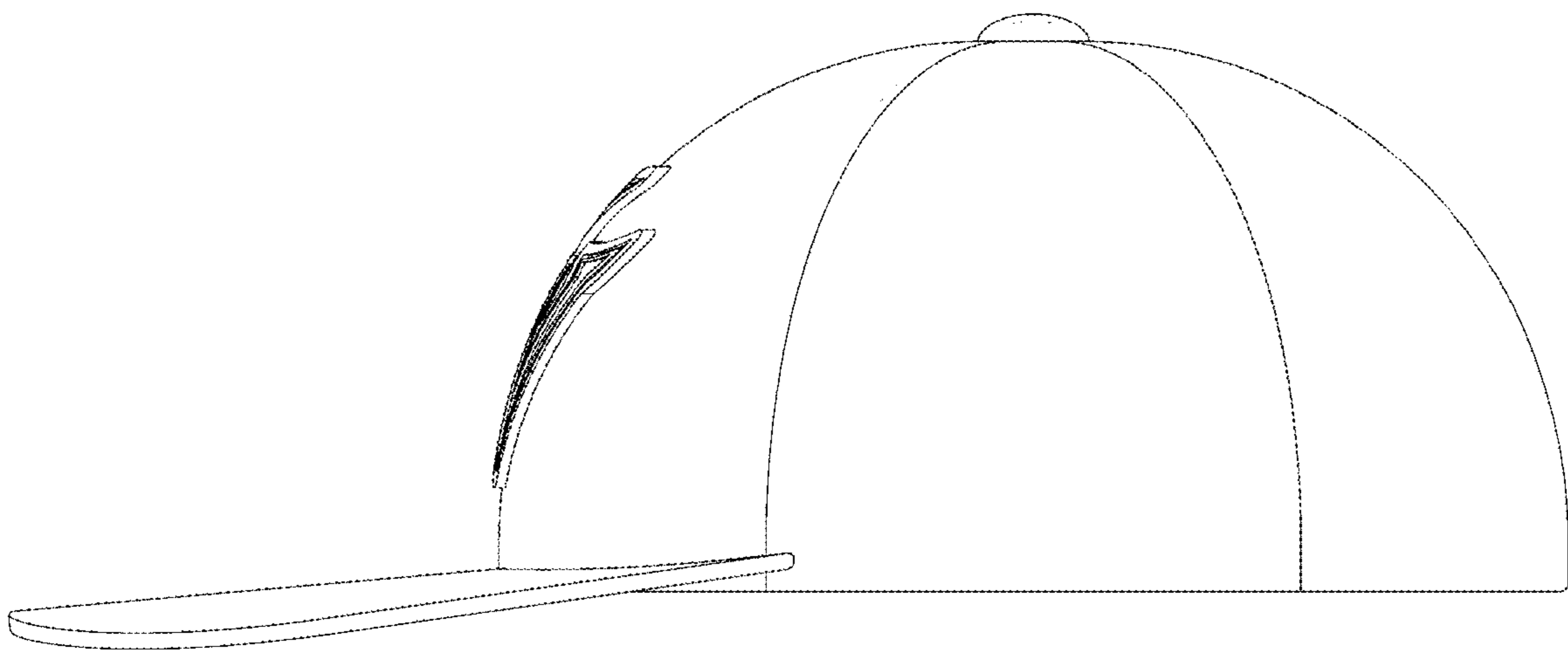


FIG. 5

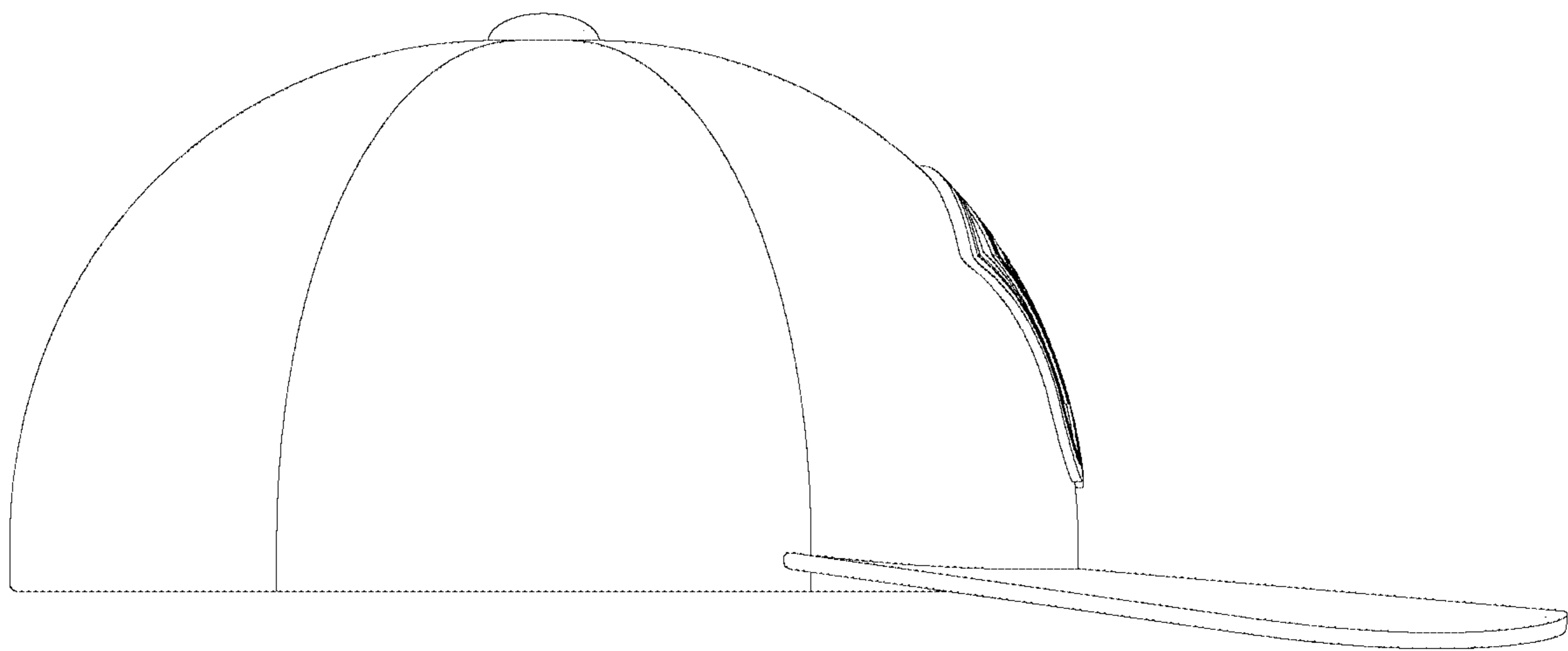


FIG. 6

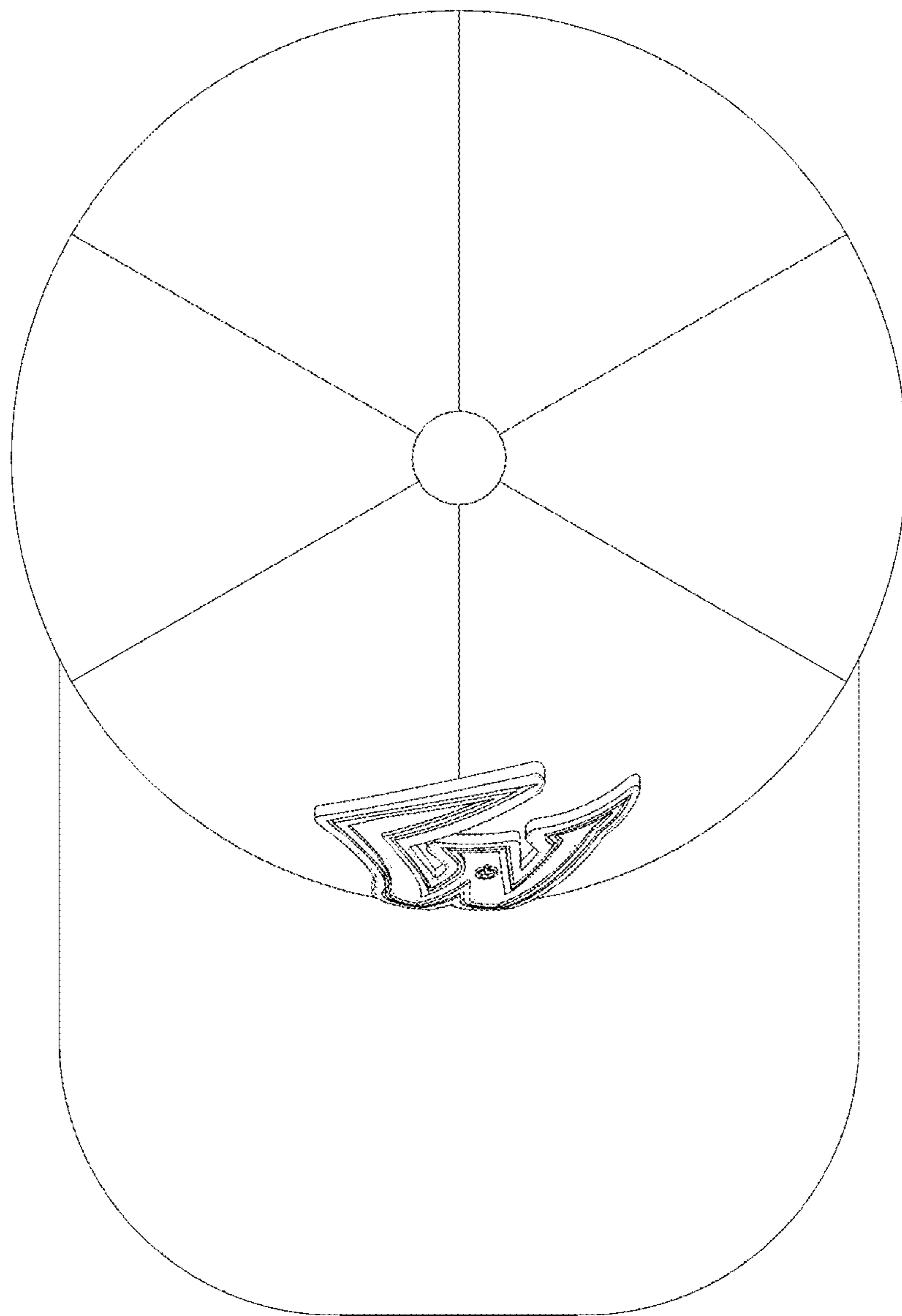


FIG. 7

