



US00D981080S

(12) **United States Design Patent**
Pezzimenti

(10) **Patent No.:** **US D981,080 S**

(45) **Date of Patent:** **** Mar. 21, 2023**

(54) **JERSEY**

(71) Applicant: **NIKE, Inc.**, Beaverton, OR (US)

(72) Inventor: **Luke A. Pezzimenti**, Portland, OR (US)

(**) Term: **15 Years**

(21) Appl. No.: **29/795,125**

(22) Filed: **Jun. 16, 2021**

(51) **LOC (14) Cl.** **02-02**

(52) **U.S. Cl.**
USPC **D2/717**

(58) **Field of Classification Search**
USPC D2/602, 609, 717, 731, 840, 841, 844,
D2/853

CPC A41D 1/04
See application file for complete search history.

(56) **References Cited**

U.S. PATENT DOCUMENTS

D109,319 S *	4/1938	Friedland	D2/840
D793,741 S *	8/2017	Lovern	D6/303
D812,342 S *	3/2018	Avalos	D2/602
D812,351 S *	3/2018	Avalos	D2/602
D812,859 S *	3/2018	Avalos	D2/602
D893,832 S *	8/2020	Teah, Sr.	D2/853

OTHER PUBLICATIONS

Outerstuff Youth Seattle Kraken Replica Jersey, announced Jul. 17, 2017 [online], [site visited Aug. 24, 2022]. Available from internet, URL : <https://www.amazon.com/Outerstuff-Seattle-Kraken-Replica-Large-X-Large/dp/B09M6JWKND> (Year: 2017).*

Outerstuff Custom Youth Las Vegas Golden Knights Hockey Jersey, announced Jul. 16, 2017 [online], [site visited Aug. 24, 2022].

Available from internet, URL : <https://www.amazon.com/Custom-Golden-Knights-Hockey-Jersey/dp/B07JXS2TWV/?th=1> (Year: 2017).*

Ealer H900 Series Ice Hockey, announced Mar. 2, 2020 [online], [site visited Aug. 24, 2022]. Available from internet, URL : <https://www.amazon.com/EALER-Practice-Breathable-Quick-Dry-Strength/dp/B08XNHH46C/?th=1> (Year: 2020).*

Ealer H900 Series Ice Hockey League, announced May 27, 2021 [online], [site visited Aug. 24, 2022]. Available from internet, URL : <https://www.amazon.com/EALER-Practice-Breathable-Quick-Dry-Strength/dp/B0928QP8PY/?th=1> (Year: 2021).*

Adidas; Anaheim Ducks Adidas Authentic Third Alternate NHL Hockey Jersey; Accessed on Jun. 4, 2021 from https://www.coolhockey.com/us/anaheim-ducks-adidas-authentic-third-alternate-nhl-hockey-jersey.html; 1 page.

(Continued)

Primary Examiner — Kevin K Rudzinski
Assistant Examiner — Amber J Rabie
(74) *Attorney, Agent, or Firm* — Schwabe, Williamson & Wyatt, P C.

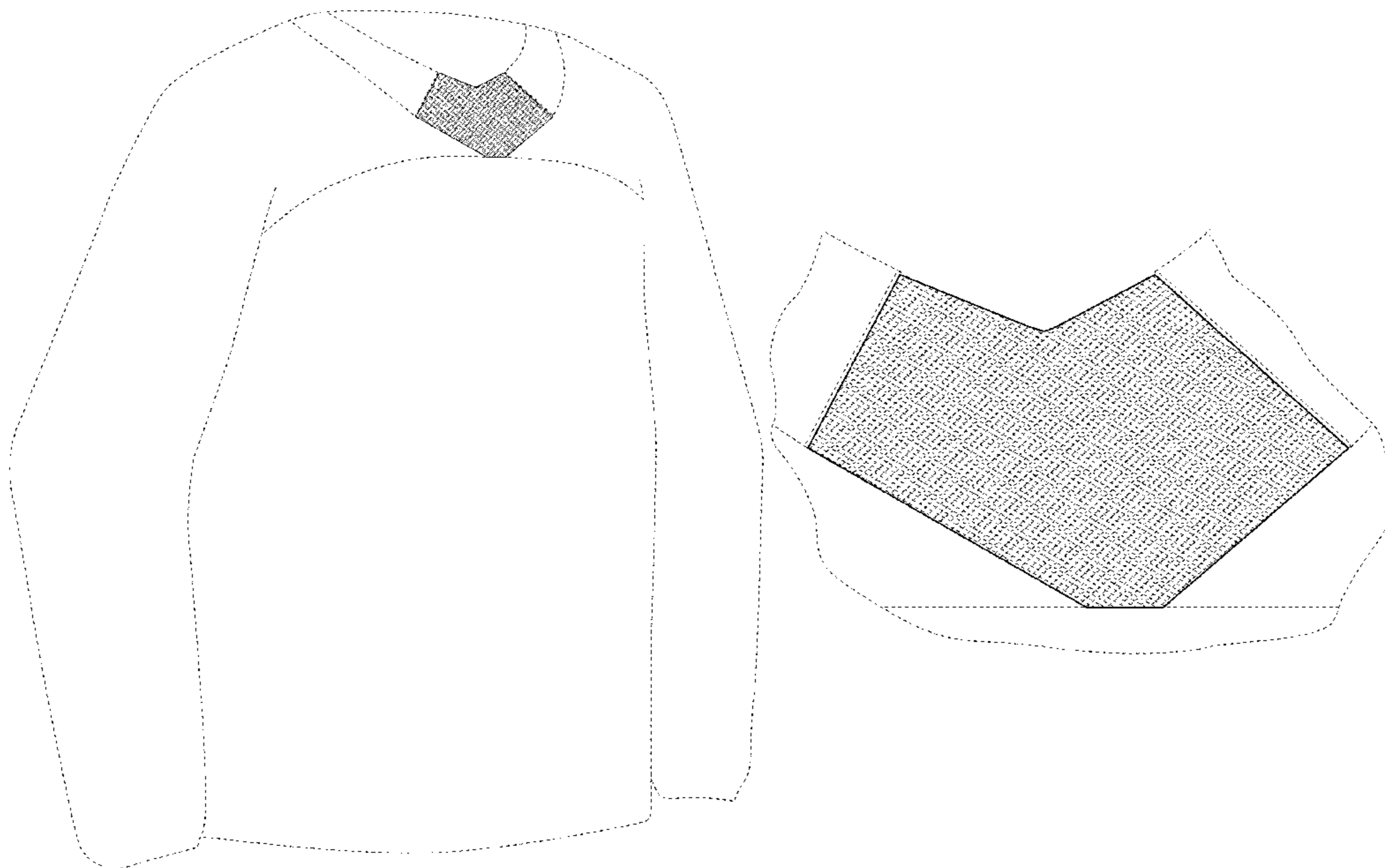
(57) **CLAIM**

I claim the ornamental design for a jersey, as shown and described.

DESCRIPTION

FIG. 1 is a perspective view of a jersey, showing my new design;
FIG. 2 is an enlarged perspective view of the claimed region of FIG. 1;
FIG. 3 is a front view thereof; and,
FIG. 4 is a right side perspective view thereof.
The broken lines illustrating the wavy boundary in FIGS. 2-4 represent boundaries of the enlarged views. The remaining broken lines illustrating the jersey represent portions of the article that form no part of the claimed design.

1 Claim, 4 Drawing Sheets



(56)

References Cited

OTHER PUBLICATIONS

Fanatics; New York Rangers Fanatics Breakaway Adult Hockey Jersey; Accessed on Jun. 4, 2021 from <https://www.hockeymonkey.com/fanatics-hockey-new-york-rangers-breakaway-jersey-sr.html>; 2 pages.

Nike; Nike Team Canada Replica; Accessed on Jun. 4, 2021 from <https://www.nike.com/t/team-canada-replica-mens-hockey-jersey-TtFSwJ/J000243-65N>; 2 pages.

Nike; Nike Team USA Replica; Accessed on Jun. 4, 2021 from <https://www.nike.com/t/team-usa-replica-mens-nockey-jersey-8rd2bG/J000243-41S>; 2 pages.

* cited by examiner

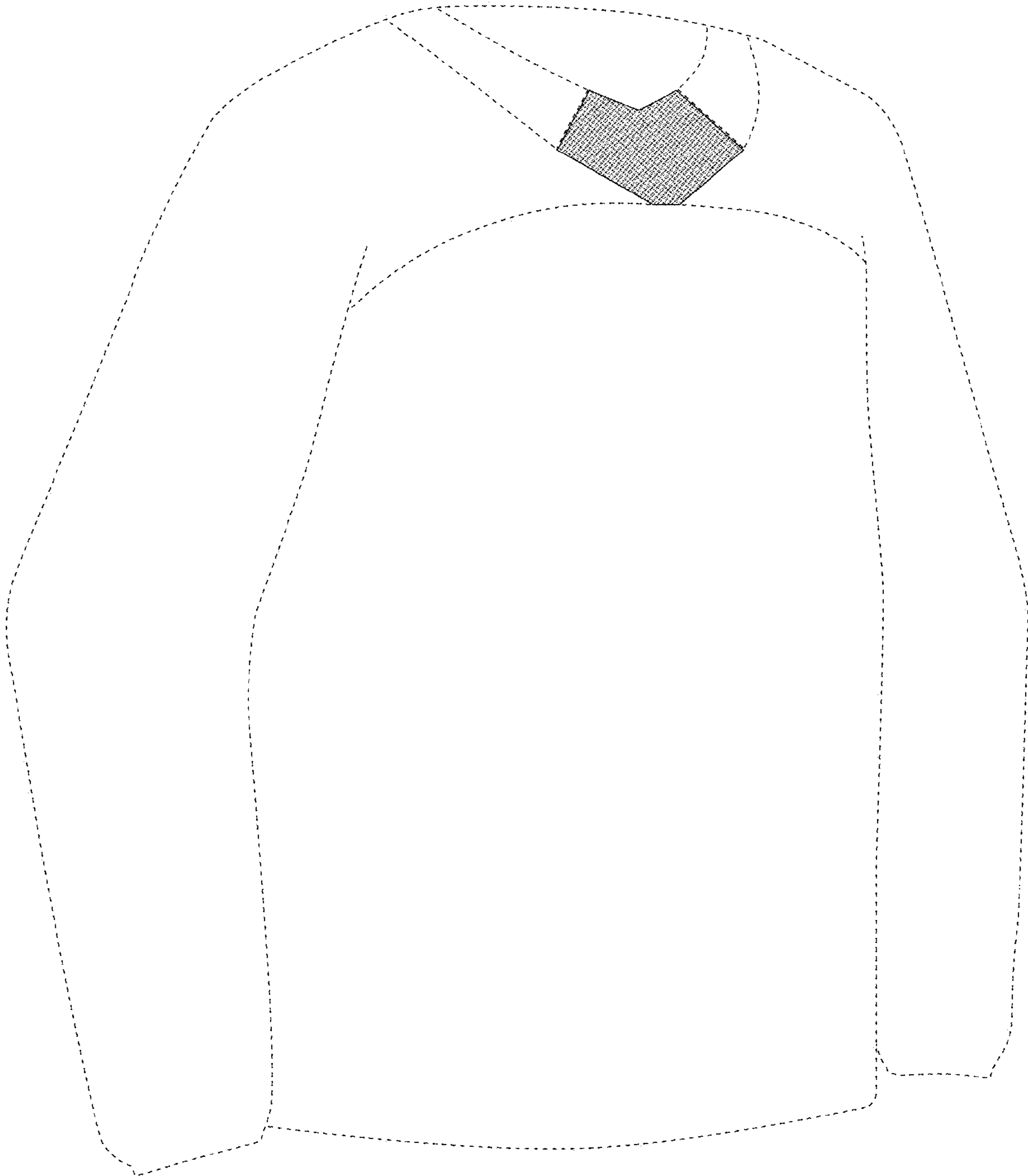


FIG. 1

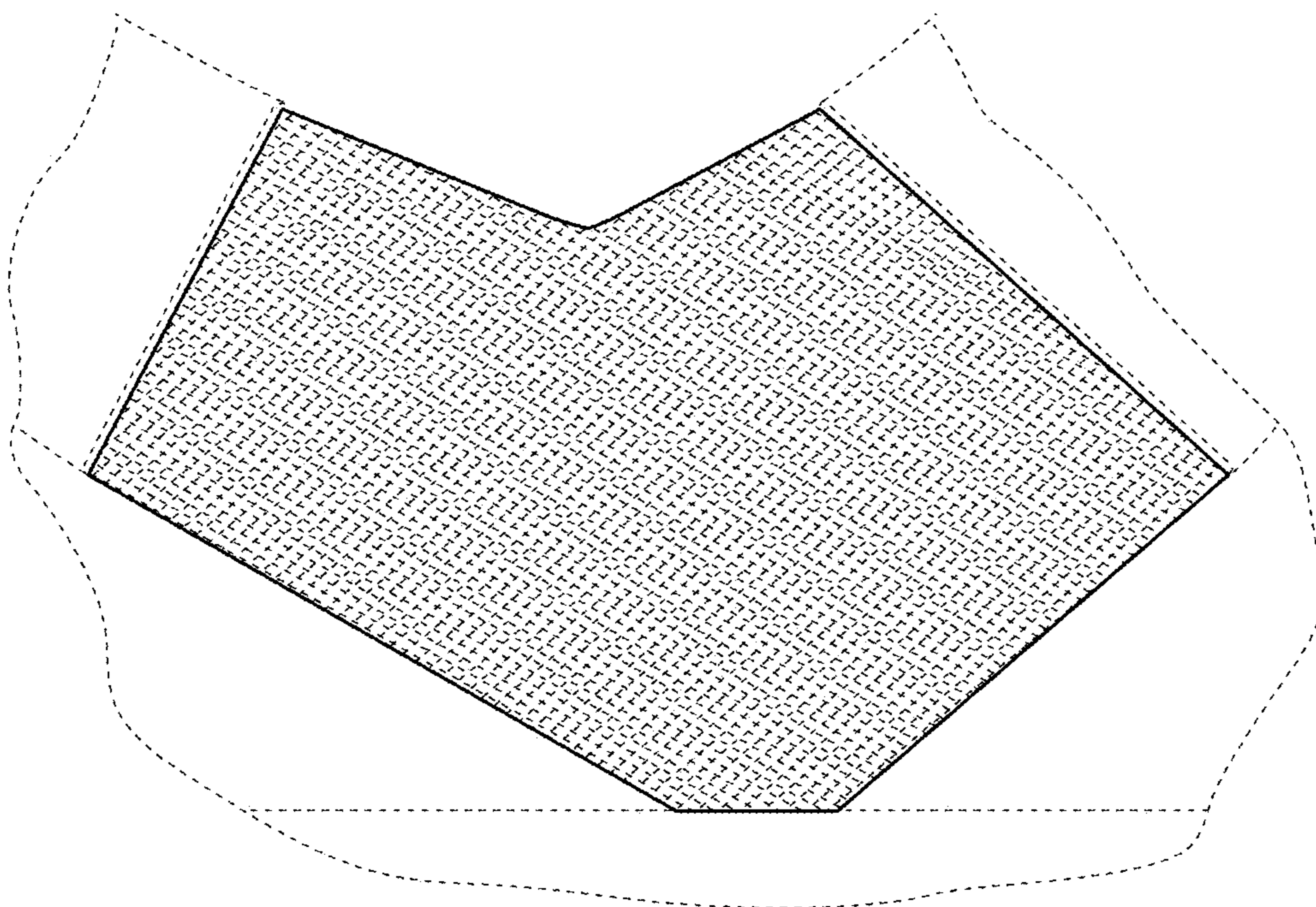


FIG. 2

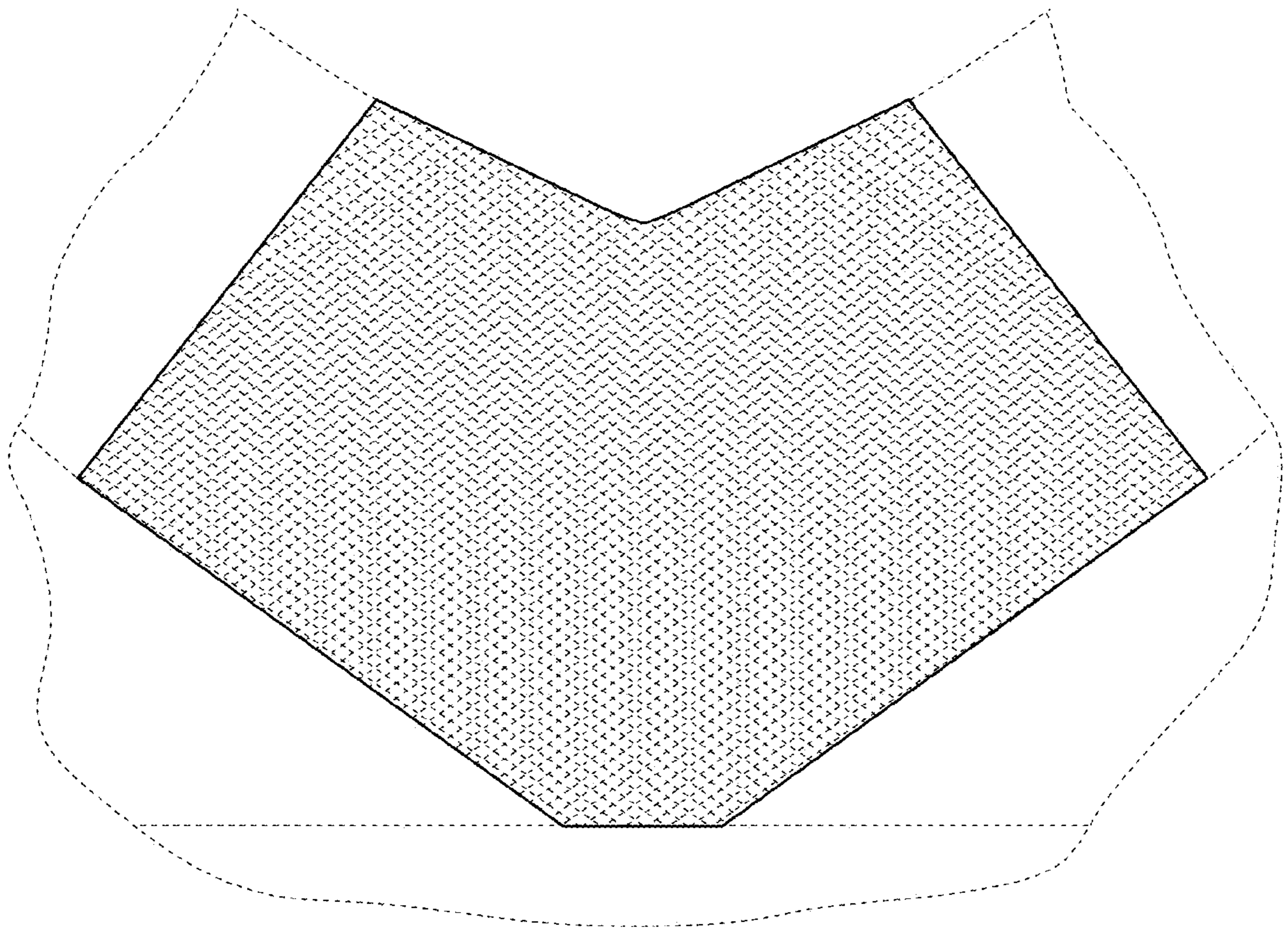


FIG. 3

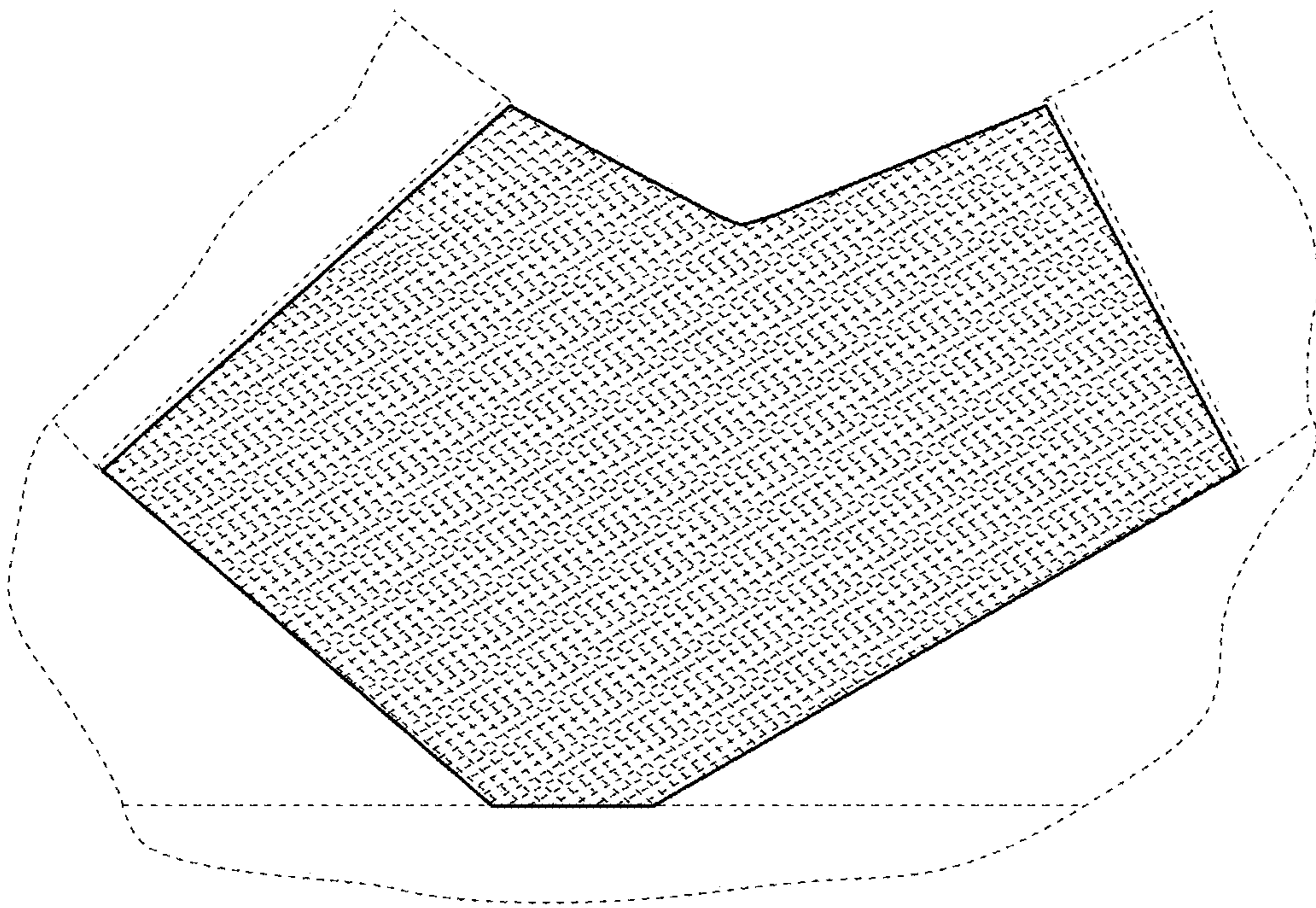


FIG. 4