



US00D981076S

(12) **United States Design Patent**
Aho et al.

(10) **Patent No.:** **US D981,076 S**

(45) **Date of Patent:** **** Mar. 14, 2023**

(54) **WINCH**

(71) Applicant: **ENGO Industries, LLC**, Battle Ground, WA (US)

(72) Inventors: **Drew V. Aho**, Battle Ground, WA (US);
Ting Cui, Ningbo (CN)

(73) Assignee: **ENGO Industries, LLC**, Battel Ground, WA (US)

(**) Term: **15 Years**

(21) Appl. No.: **29/777,965**

(22) Filed: **Apr. 9, 2021**

(51) **LOC (14) Cl.** **12-05**

(52) **U.S. Cl.**
USPC **D34/33**

(58) **Field of Classification Search**
USPC D34/32, 33
CPC ... B66D 1/14; B66D 1/38; B66D 1/28; B66D 1/04; B66D 1/22; B66D 1/39; B66D 1/7405; B66D 1/00; B66D 1/08; B66D 1/26; B66D 1/36; B66D 1/505; B66D 1/7484

See application file for complete search history.

(56) **References Cited**

U.S. PATENT DOCUMENTS

D703,414 S *	4/2014	Fretz	D34/33
D740,513 S *	10/2015	Fretz	D34/33
D742,614 S	11/2015	Aho		
D744,189 S *	11/2015	Fretz	D34/33
9,266,702 B2 *	2/2016	Fretz	B66D 1/28
D779,768 S *	2/2017	Fretz	D34/33
D799,779 S	10/2017	Aho		
D811,684 S *	2/2018	Fretz	D34/33
D815,386 S *	4/2018	August	D34/33
D816,938 S	5/2018	Fretz et al.		
D888,360 S *	6/2020	Zheng	D34/33
D896,463 S *	9/2020	Saeger	D34/33

D898,321 S	10/2020	Fretz et al.		
D898,322 S	10/2020	Fretz et al.		
D906,624 S *	12/2020	Wilcox	D34/33
D923,281 S *	6/2021	Wilcox	D34/33
D923,906 S *	6/2021	Fogg	D34/33
D932,727 S *	10/2021	Ye	D34/33
D950,185 S *	4/2022	Elliott	D34/33

(Continued)

FOREIGN PATENT DOCUMENTS

CA	2924918 A1 *	12/2013	B66D 1/02
FR	2992636 A1 *	1/2014	B66D 1/02

OTHER PUBLICATIONS

Zoro.com Aug. 31, 2022, Electric Winch 12VDC, <https://www.zoro.com/warn-electric-winch-12vdc-12000-lb-capacity-103255> (Year: 2022).*

(Continued)

Primary Examiner — Cynthia Ramirez
(74) *Attorney, Agent, or Firm* — Luedeka Neely Group PC

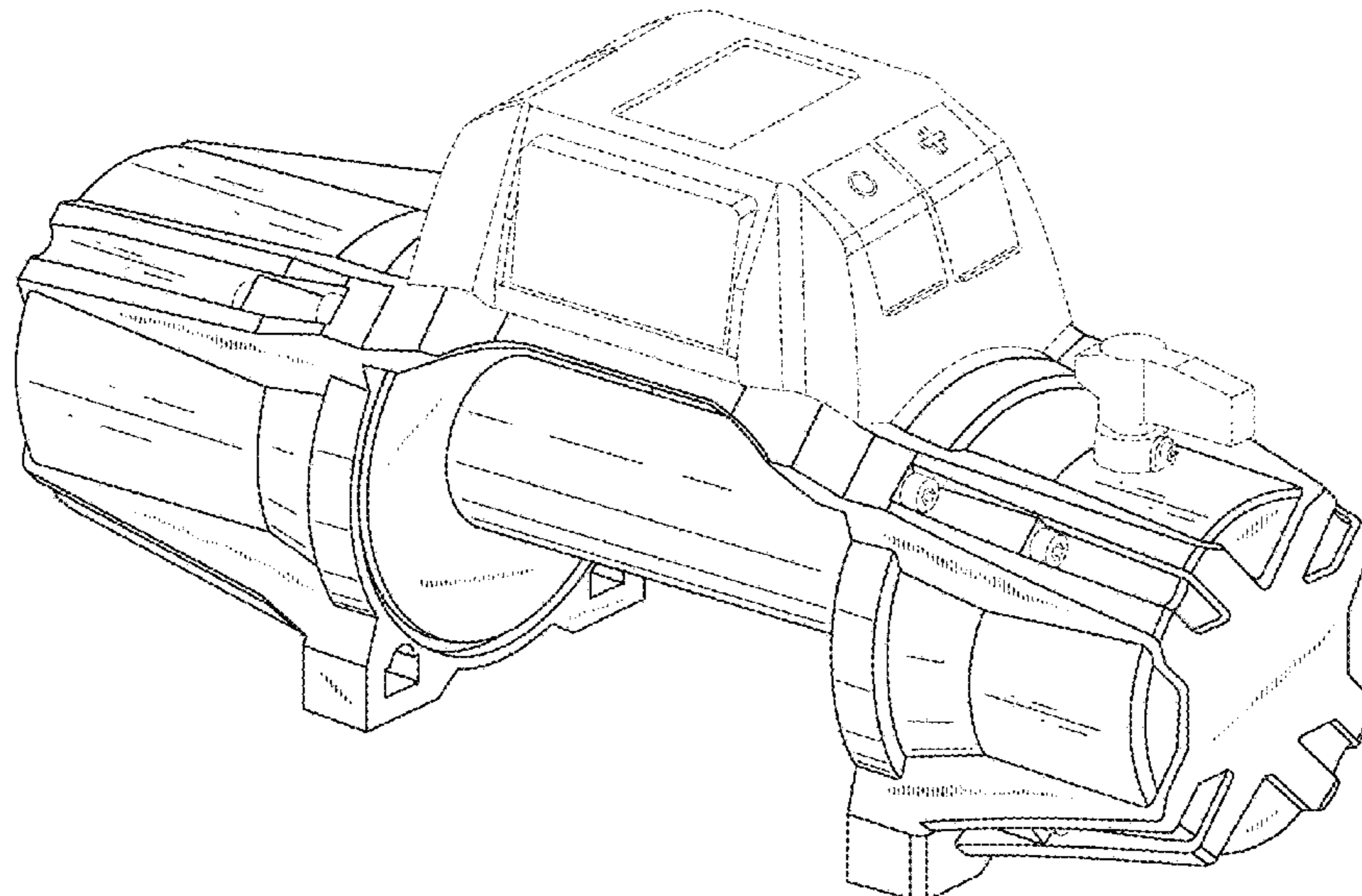
(57) **CLAIM**

The ornamental design for a winch, as shown and described.

DESCRIPTION

FIG. 1 is a front perspective view of a winch showing our new design;
FIG. 2 is a rear perspective view thereof;
FIG. 3 is a left side elevation view thereof;
FIG. 4 is a right side elevation view thereof;
FIG. 5 is a front elevation view thereof;
FIG. 6 is a rear elevation view thereof;
FIG. 7 is a top plan view thereof; and,
FIG. 8 is a bottom plan view thereof.
The broken lines shown in the figures illustrate structure that forms no part of the claimed design.

1 Claim, 8 Drawing Sheets



(56)

References Cited

U.S. PATENT DOCUMENTS

2014/0001427	A1 *	1/2014	Fretz	B66D 1/28 254/362
2014/0252286	A1 *	9/2014	Averill	B66D 1/16 254/342
2015/0307332	A1 *	10/2015	Huang	B66D 1/12 254/323
2016/0096709	A1 *	4/2016	Averill	B66D 1/12 318/6
2018/0118530	A1 *	5/2018	August	B66D 1/005
2019/0092608	A1 *	3/2019	Cui	B66D 1/00
2021/0139299	A1 *	5/2021	Crain	B66D 1/00

OTHER PUBLICATIONS

Warn Standard Duty Winches, Accessed at <https://www.warn.com/standard-duty-series-vr-evo>.

* cited by examiner

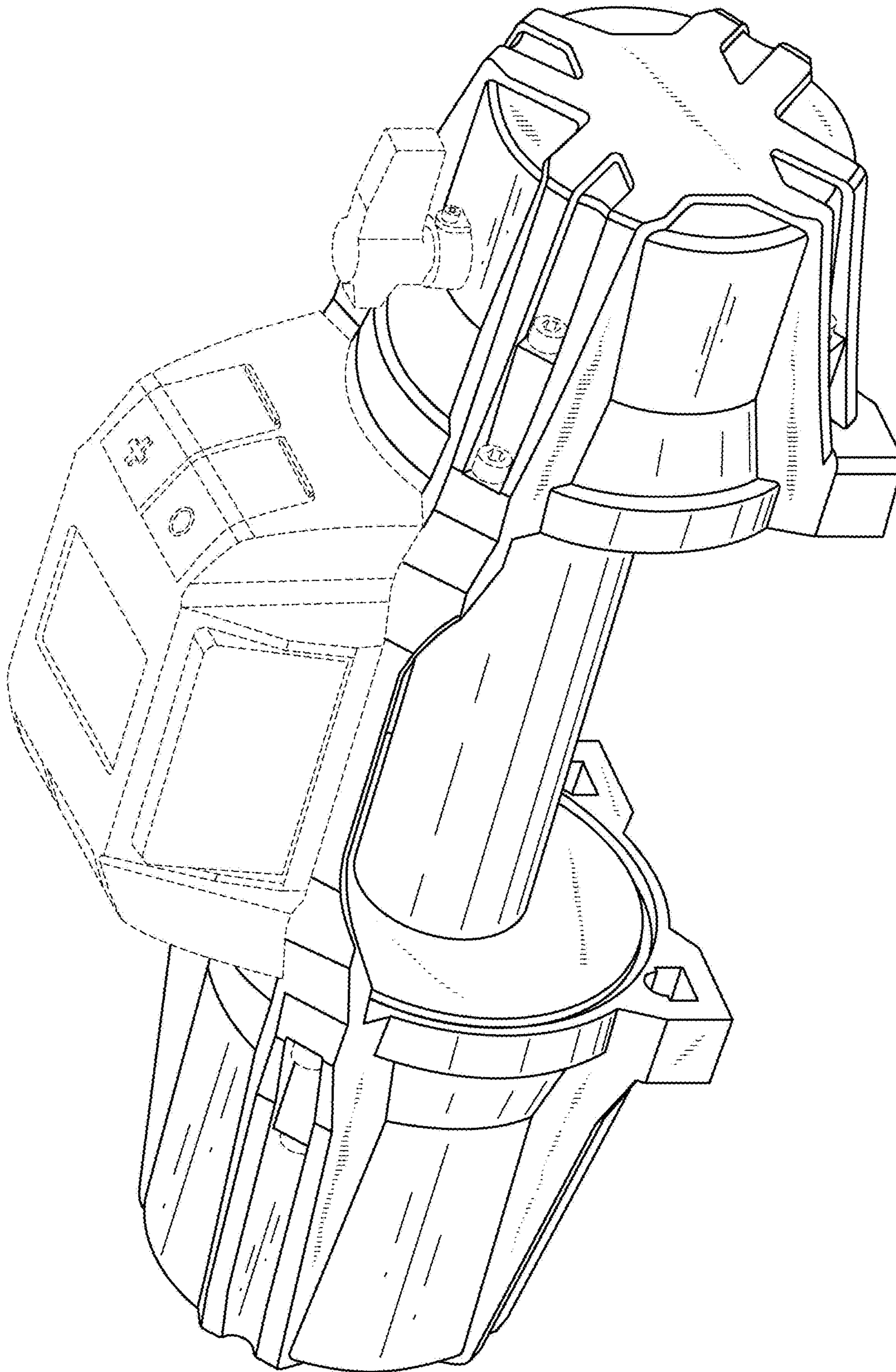


FIG. 1

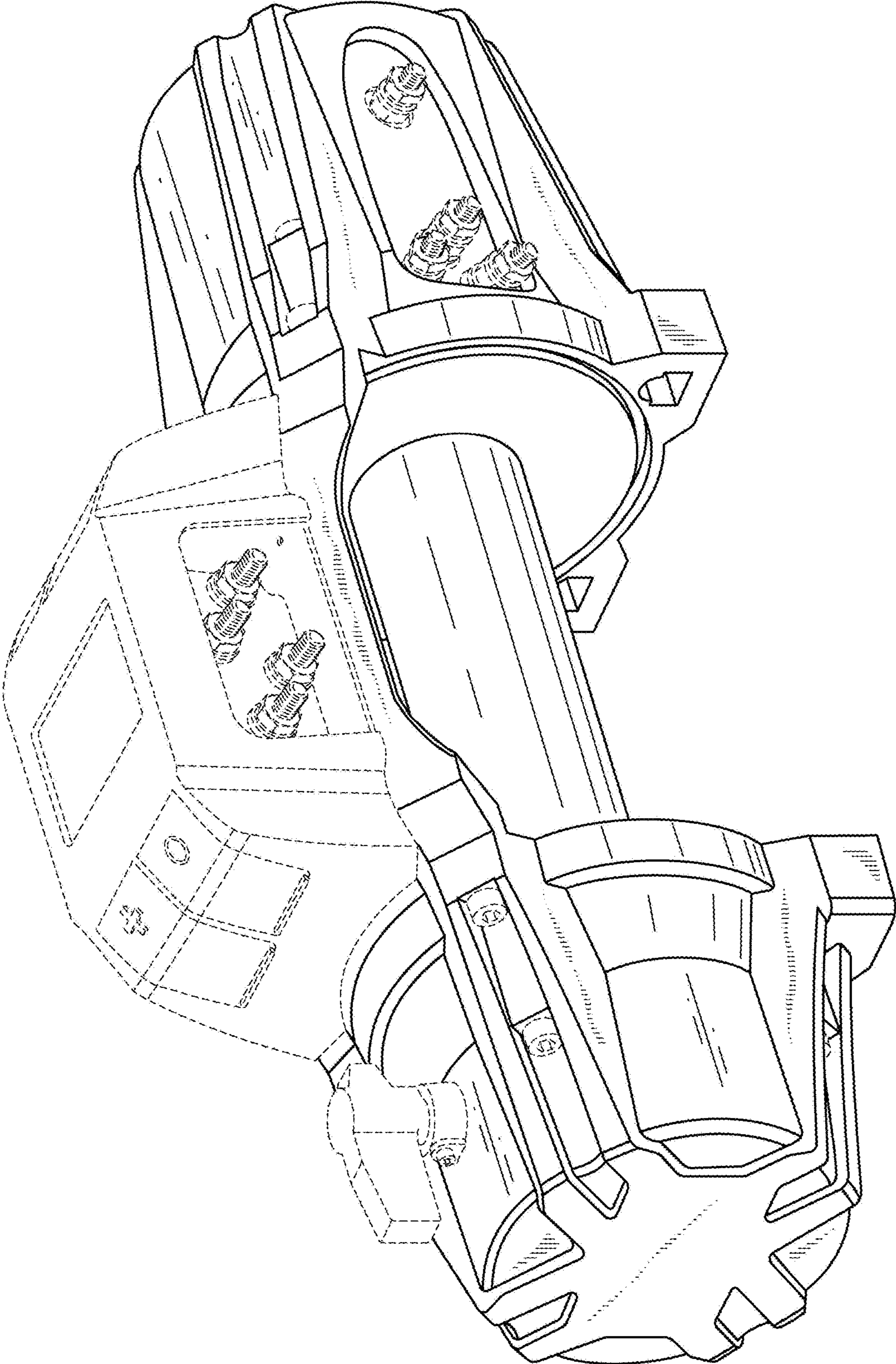


FIG. 2

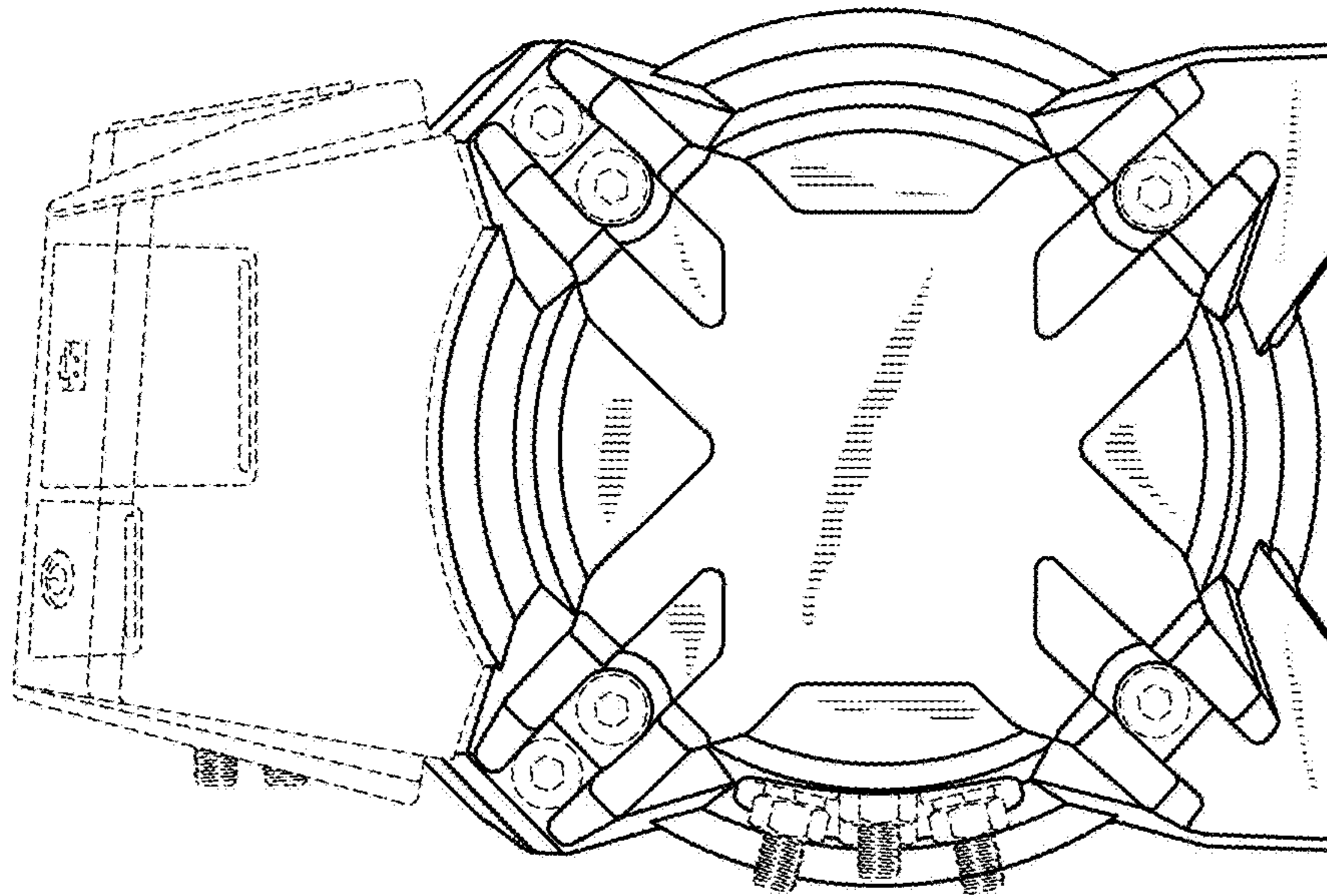


FIG. 3

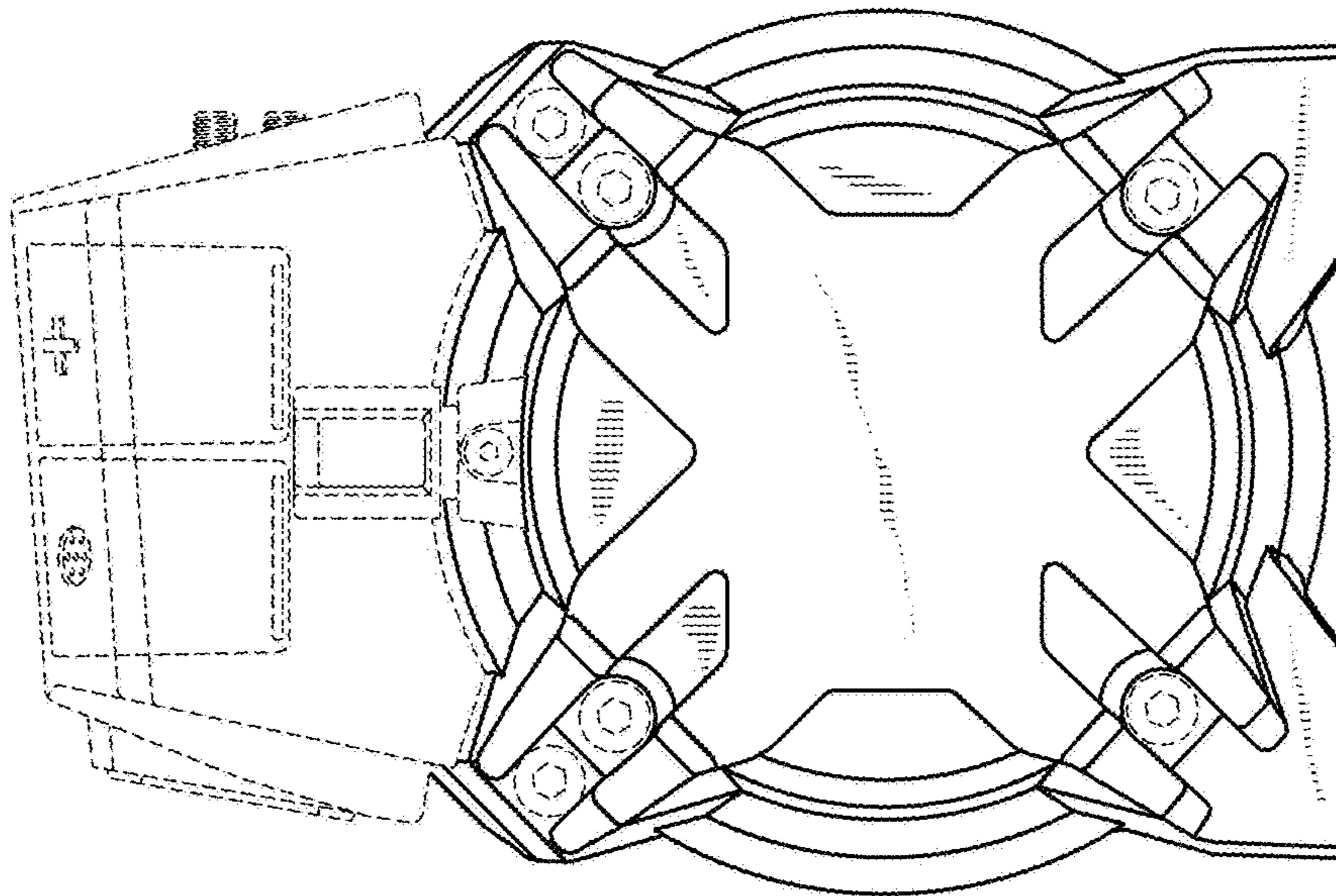


FIG. 4

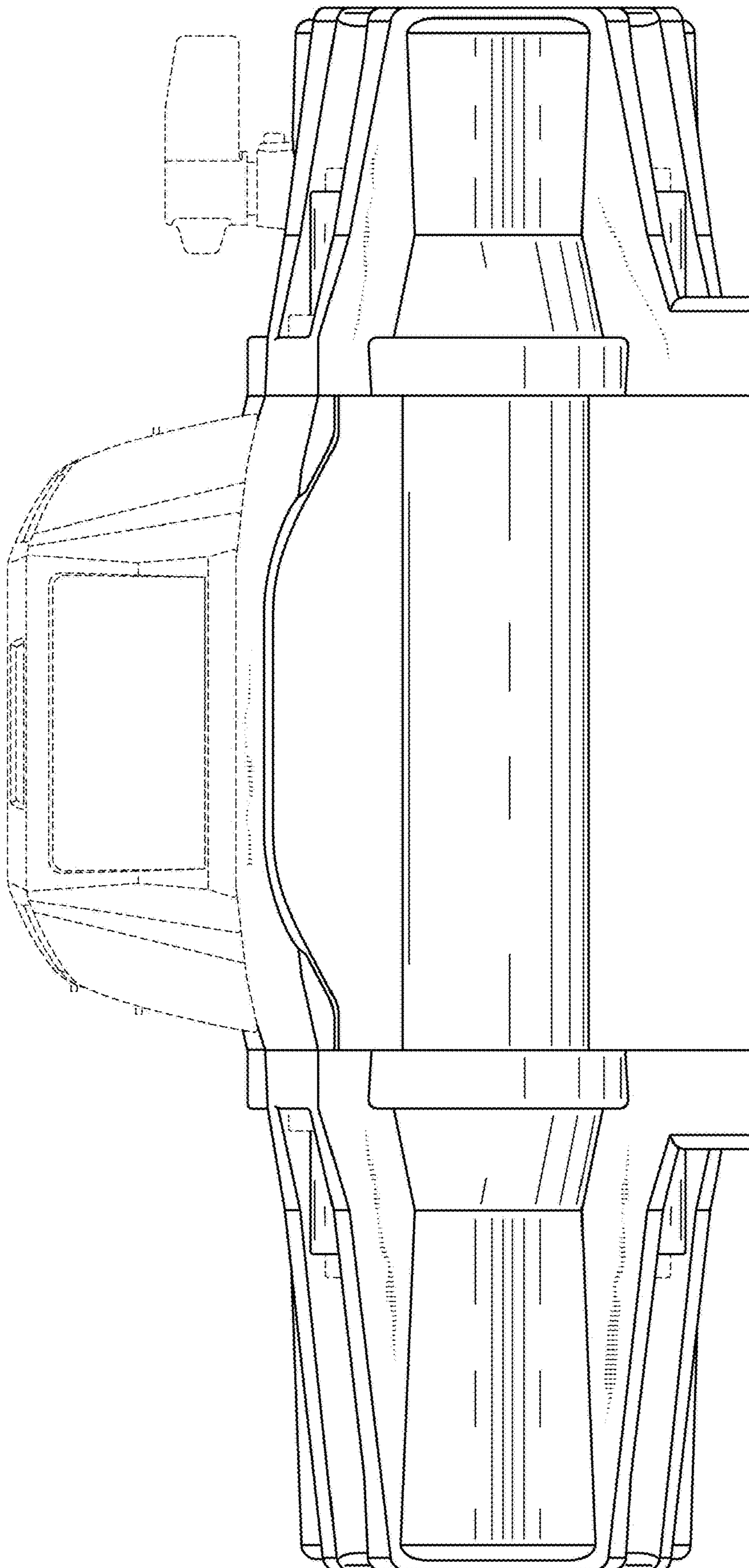


FIG. 5

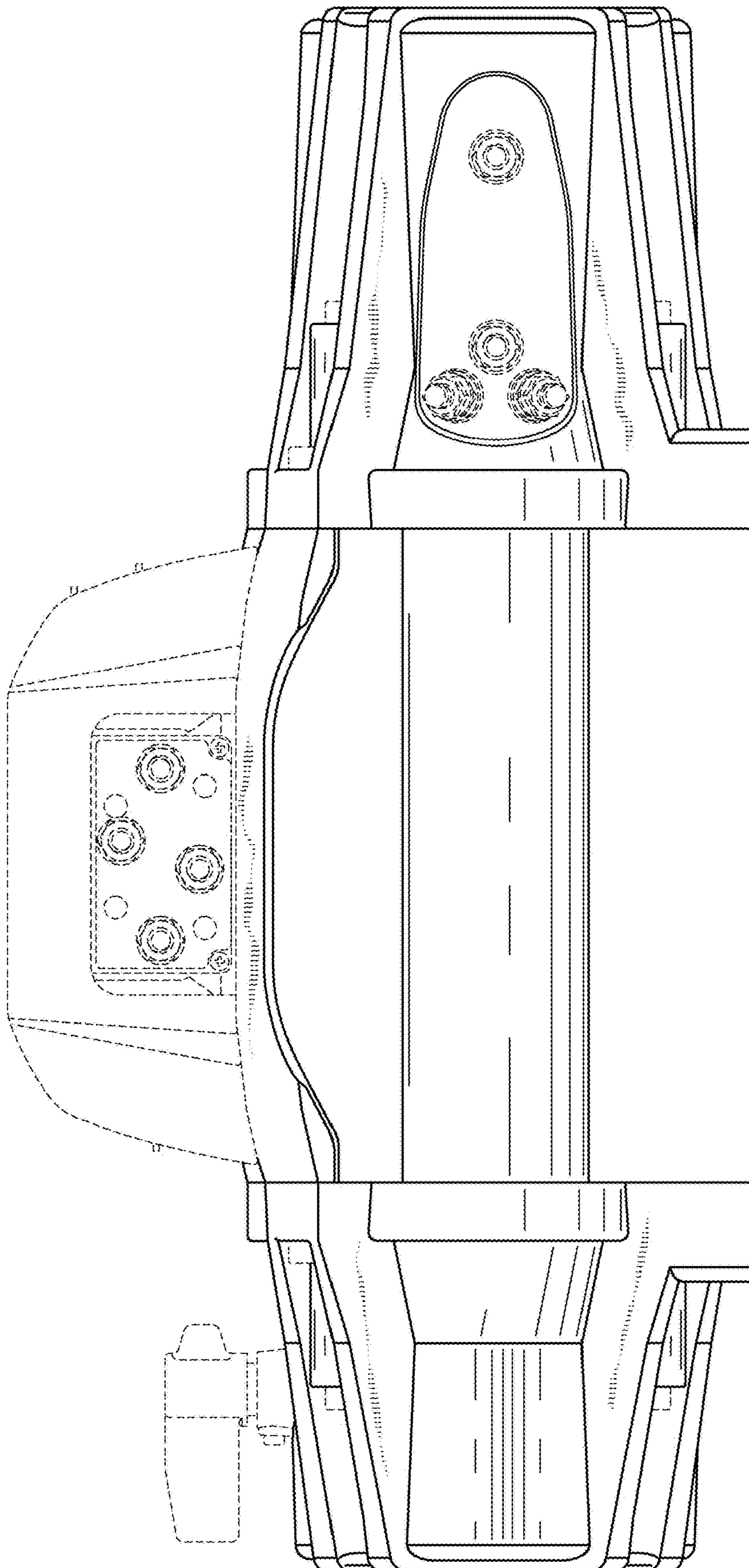


FIG. 6

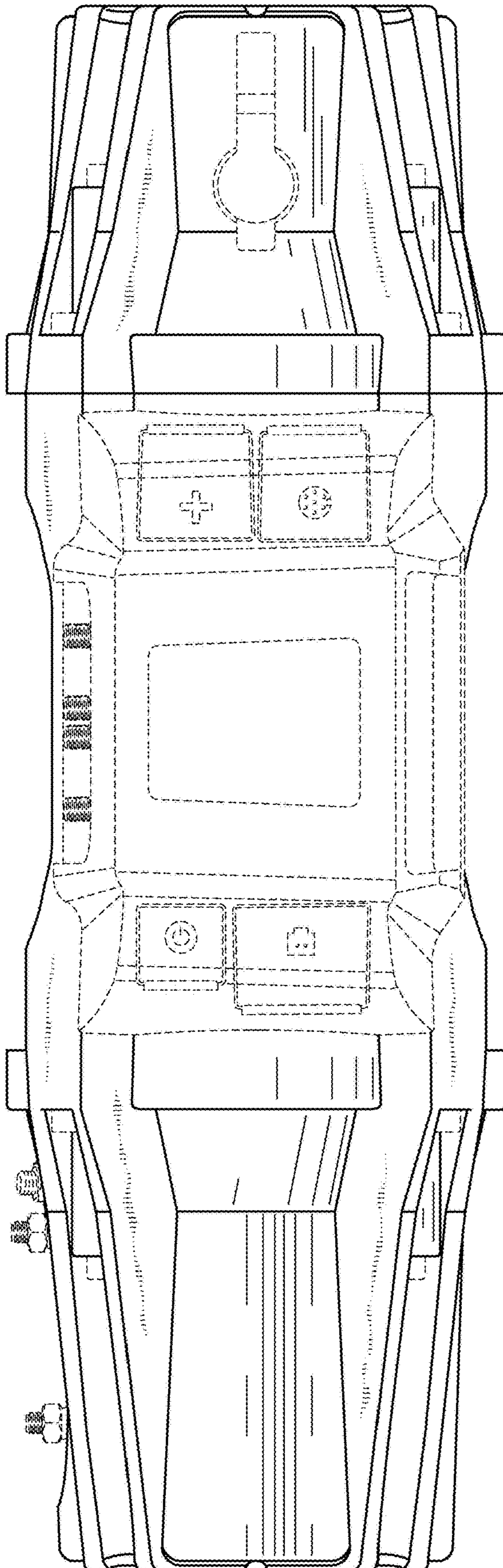


FIG. 7

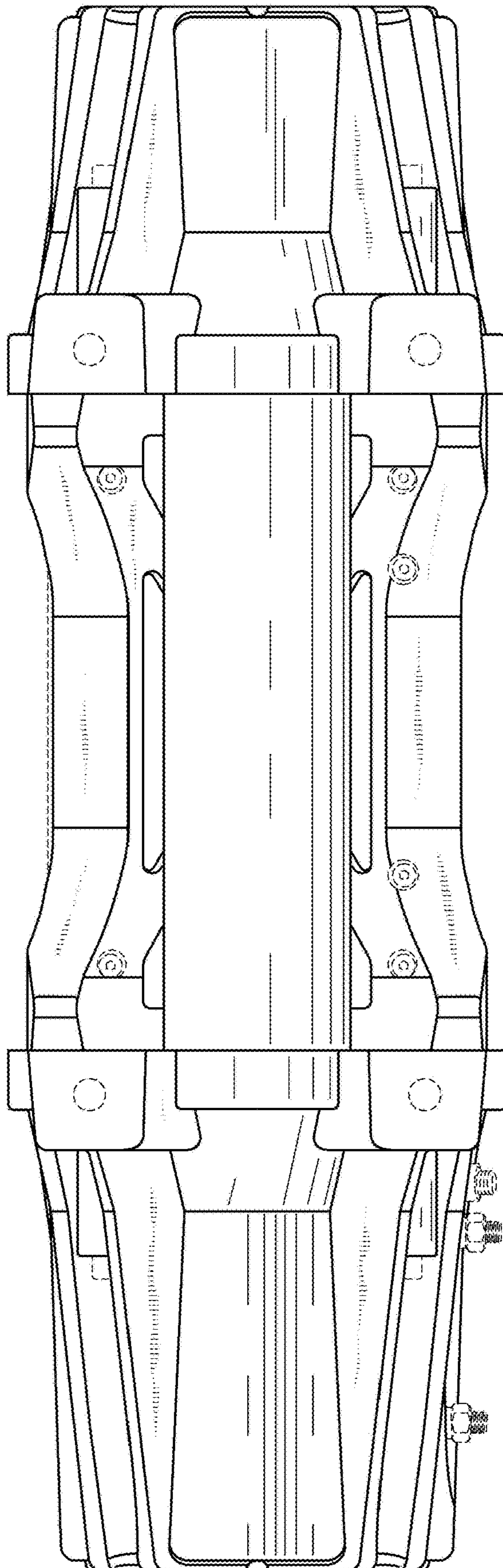


FIG. 8