



US00D981075S

(12) **United States Design Patent**  
**Zong et al.**

(10) **Patent No.:** **US D981,075 S**  
(45) **Date of Patent:** **\*\* Mar. 14, 2023**

(54) **AERIAL PLATFORM TRUCK**  
(71) Applicant: **JIANGSU XCMG CONSTRUCTION MACHINERY RESEARCH INSTITUTE LTD.,** Jiangsu (CN)  
(72) Inventors: **Xuemei Zong,** Jiangsu (CN); **He Liu,** Jiangsu (CN); **Geng Xue,** Jiangsu (CN); **Cuijun Jin,** Jiangsu (CN)  
(73) Assignee: **JIANGSU XCMG CONSTRUCTION MACHINERY RESEARCH INSTITUTE LTD.,** Jiangsu (CN)

9,358,836 B2 \* 6/2016 David ..... B60B 35/10  
D773,146 S \* 11/2016 Sauvaget ..... D34/34  
D807,817 S \* 1/2018 Walker ..... D13/103  
D854,276 S \* 7/2019 Xu ..... D34/34  
10,358,331 B2 \* 7/2019 Lombardo ..... B66F 11/044  
D855,923 S \* 8/2019 Xu ..... D34/34  
10,647,561 B2 \* 5/2020 Devaux ..... B66F 17/006  
10,710,857 B2 \* 7/2020 Luminet ..... B60Q 1/52  
10,928,258 B2 \* 2/2021 Messenger ..... G01G 19/12  
11,148,920 B2 \* 10/2021 Dittus ..... B66F 9/20  
11,180,354 B2 \* 11/2021 Hubert ..... F02N 11/0825  
2017/0341566 A1 \* 11/2017 Luminet ..... B60Q 1/52  
2018/0050894 A1 \* 2/2018 Devaux ..... B66F 11/04  
2021/0276848 A1 \* 9/2021 Miller ..... B66F 9/07554  
2022/0026179 A1 \* 1/2022 Kolanek ..... G05D 1/0022  
2022/0204332 A1 \* 6/2022 Miller ..... B66F 9/07559

(\*\*) Term: **15 Years**

**FOREIGN PATENT DOCUMENTS**

(21) Appl. No.: **29/735,626**  
(22) Filed: **May 22, 2020**  
(51) **LOC (14) Cl.** ..... **12-05**  
(52) **U.S. Cl.**  
USPC ..... **D34/33**  
(58) **Field of Classification Search**  
USPC ..... D34/34, 33  
CPC ..... B66F 11/046; B66F 11/044; B66F 11/04;  
B66F 9/06; B66F 9/0655; B66F 17/006  
See application file for complete search history.

WO WO-2019158869 A1 \* 8/2019 ..... B66F 11/044  
WO WO-2019207247 A1 \* 10/2019 ..... B60W 30/18018

\* cited by examiner

*Primary Examiner* — Cynthia Ramirez  
(74) *Attorney, Agent, or Firm* — Kilpatrick Townsend & Stockton LLP

(56) **References Cited**

(57) **CLAIM**

The ornamental design for an aerial platform truck, as shown and described.

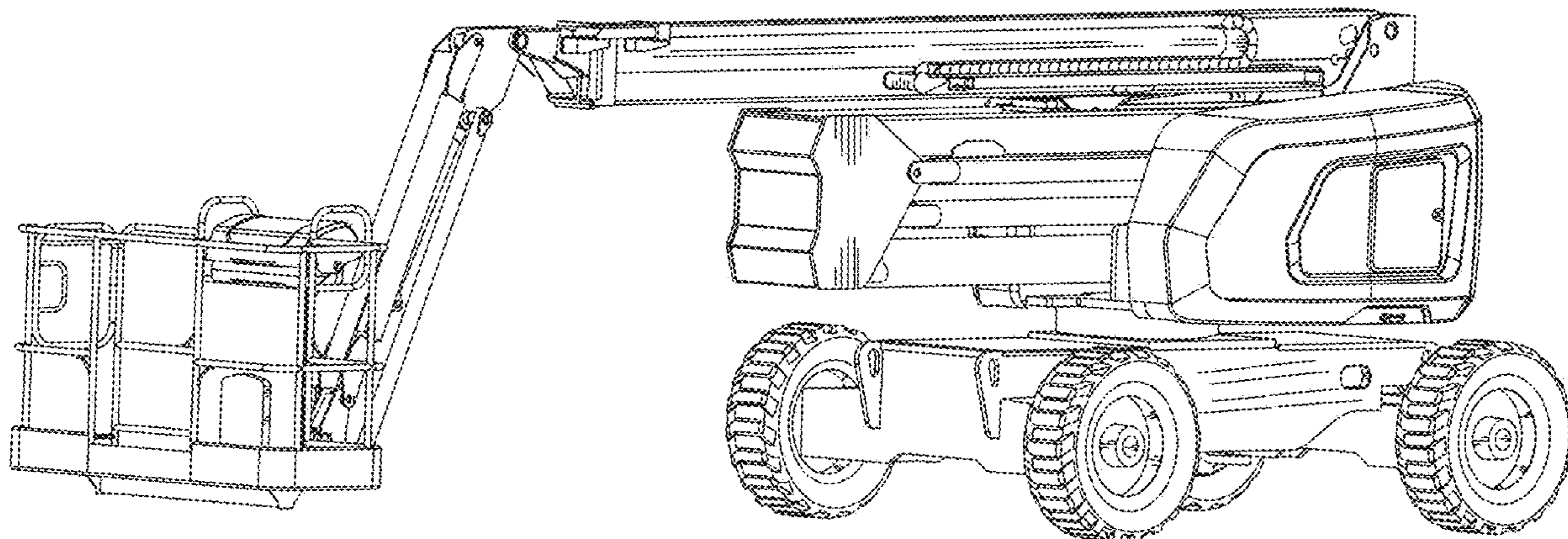
**U.S. PATENT DOCUMENTS**

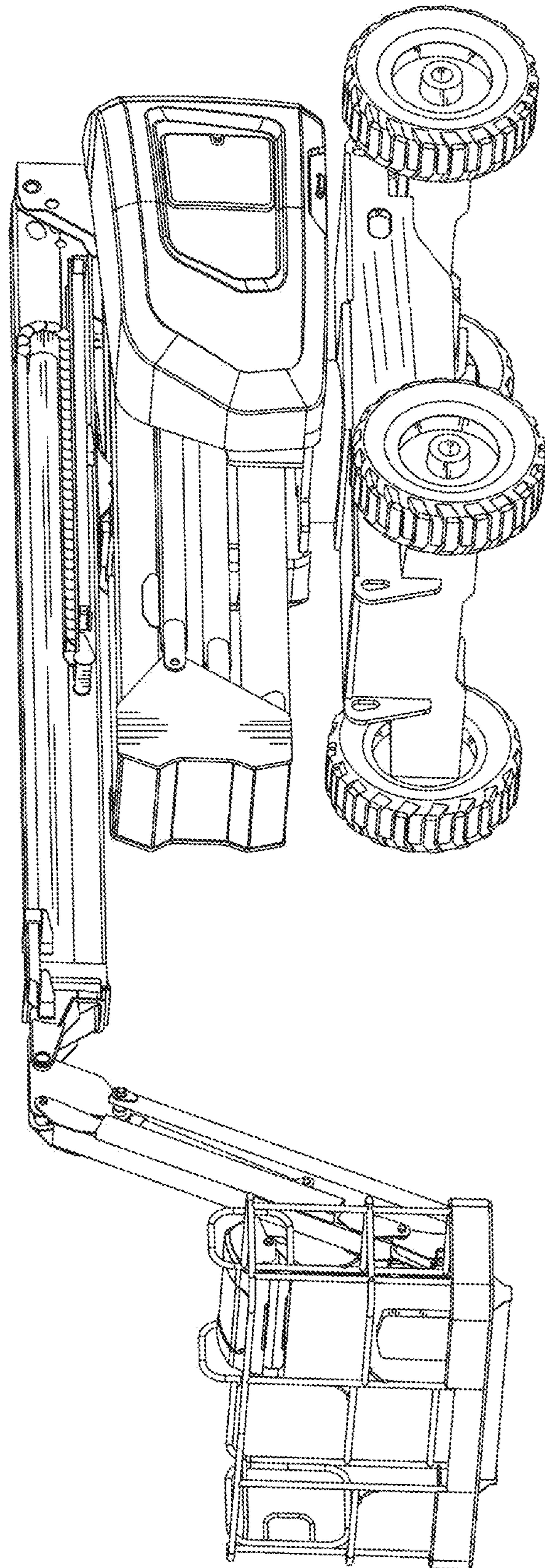
**DESCRIPTION**

D227,091 S \* 6/1973 Grove et al. .... D34/34  
4,160,492 A \* 7/1979 Johnston ..... B66F 11/046  
182/2.11  
4,754,840 A \* 7/1988 MacDonald ..... B66F 11/044  
D34/36  
5,934,409 A \* 8/1999 Citron ..... B66F 11/044  
182/17  
8,631,902 B2 \* 1/2014 Crook ..... B66F 11/046  
182/2.11

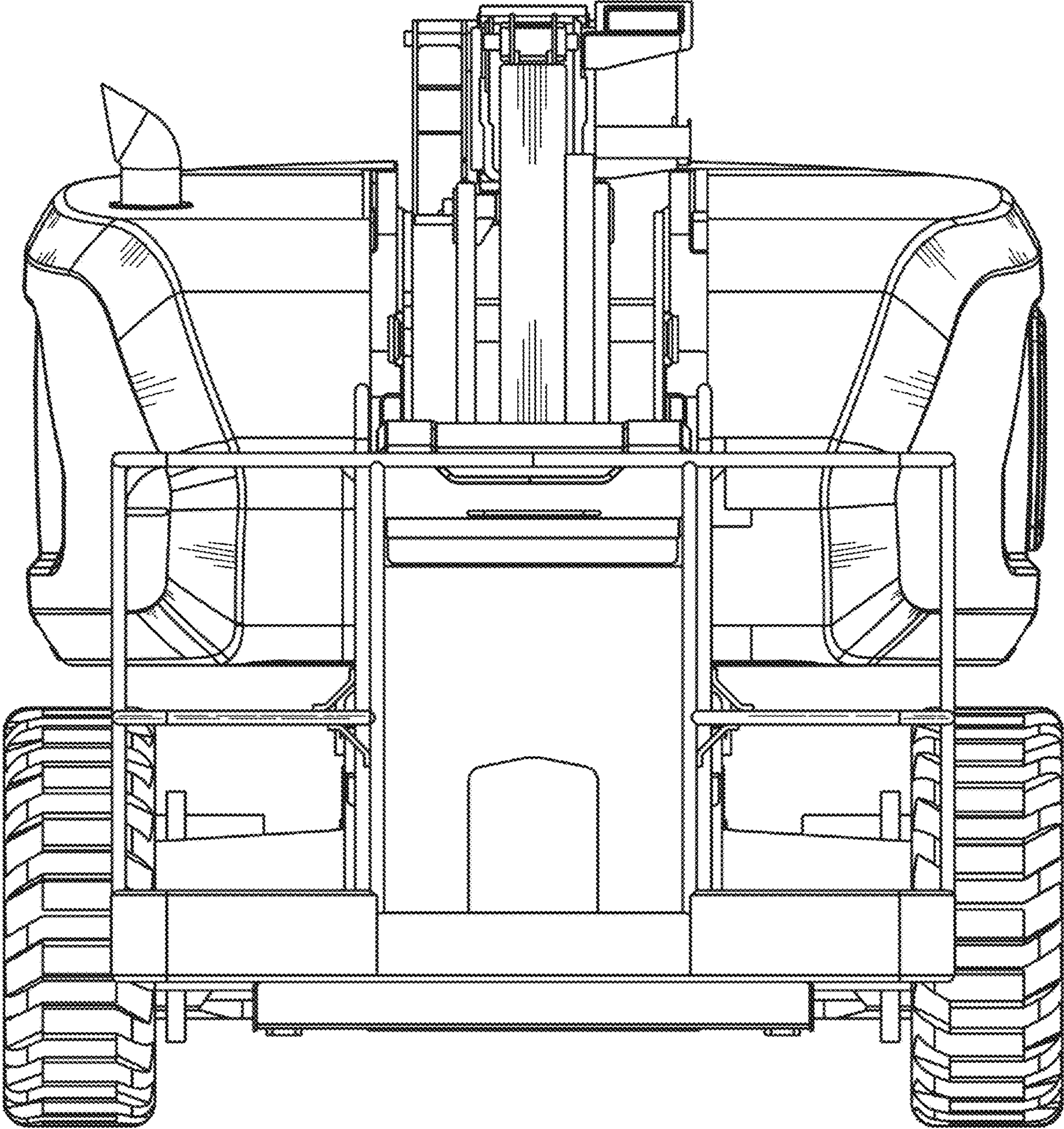
FIG. 1 is a front perspective view of an aerial platform truck;  
FIG. 2 is an enlarged front view thereof;  
FIG. 3 is an enlarged rear view thereof;  
FIG. 4 is a side view thereof;  
FIG. 5 is an opposite side view thereof;  
FIG. 6 is a top view thereof; and,  
FIG. 7 is a rear perspective view thereof.

**1 Claim, 7 Drawing Sheets**

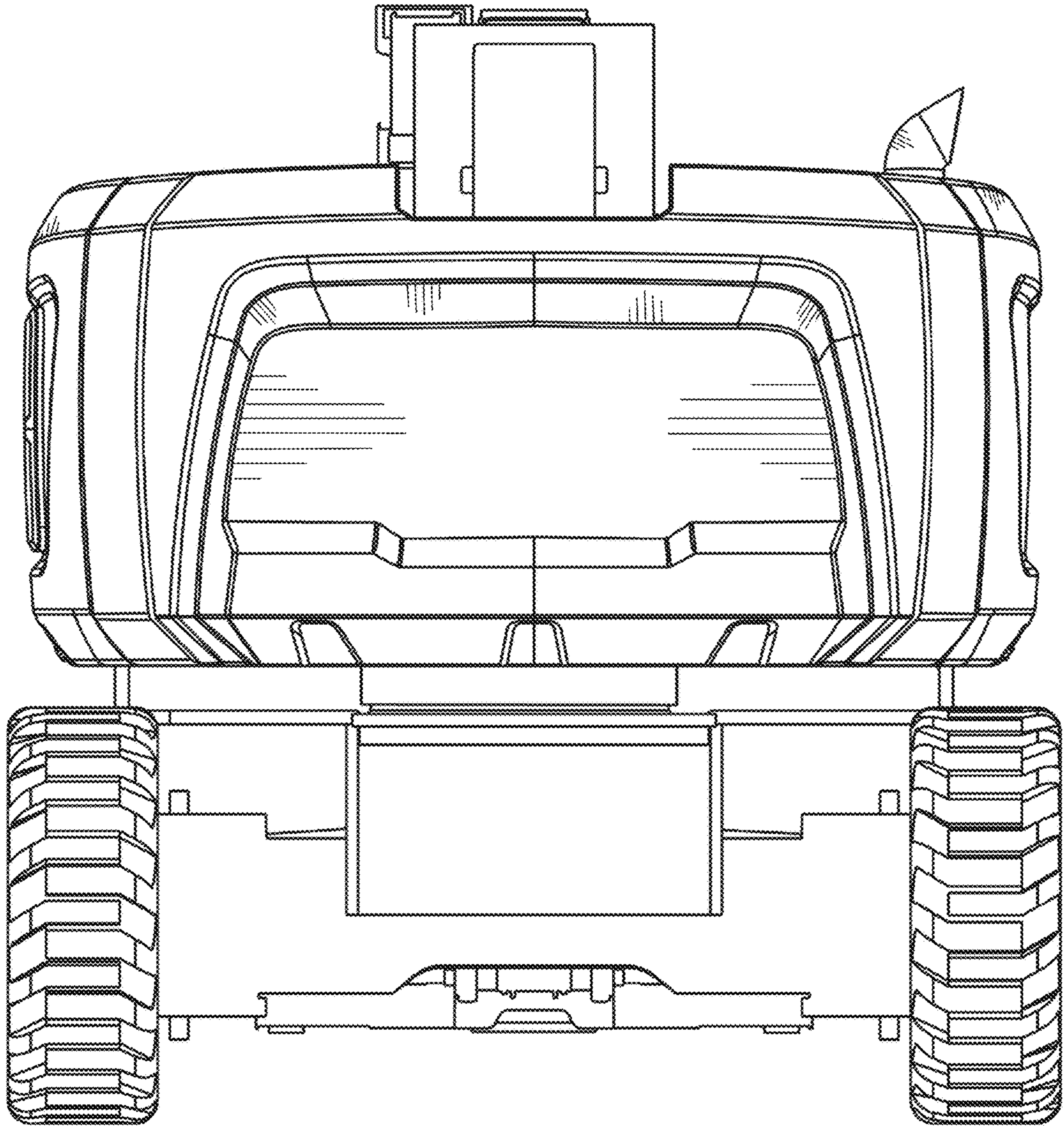




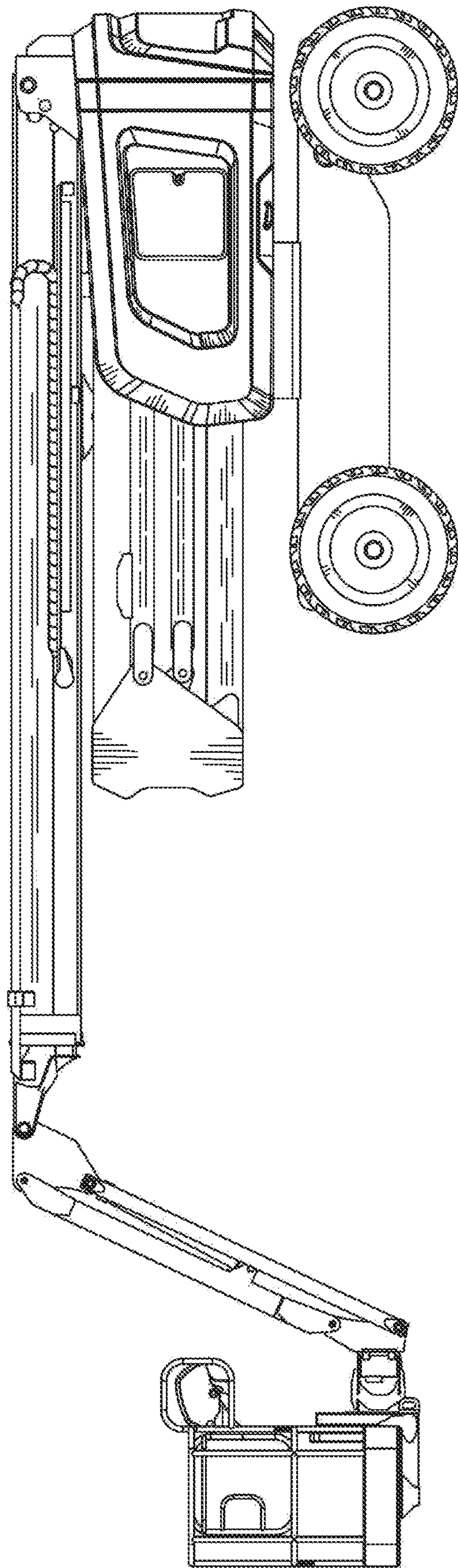
*FIG. 1*



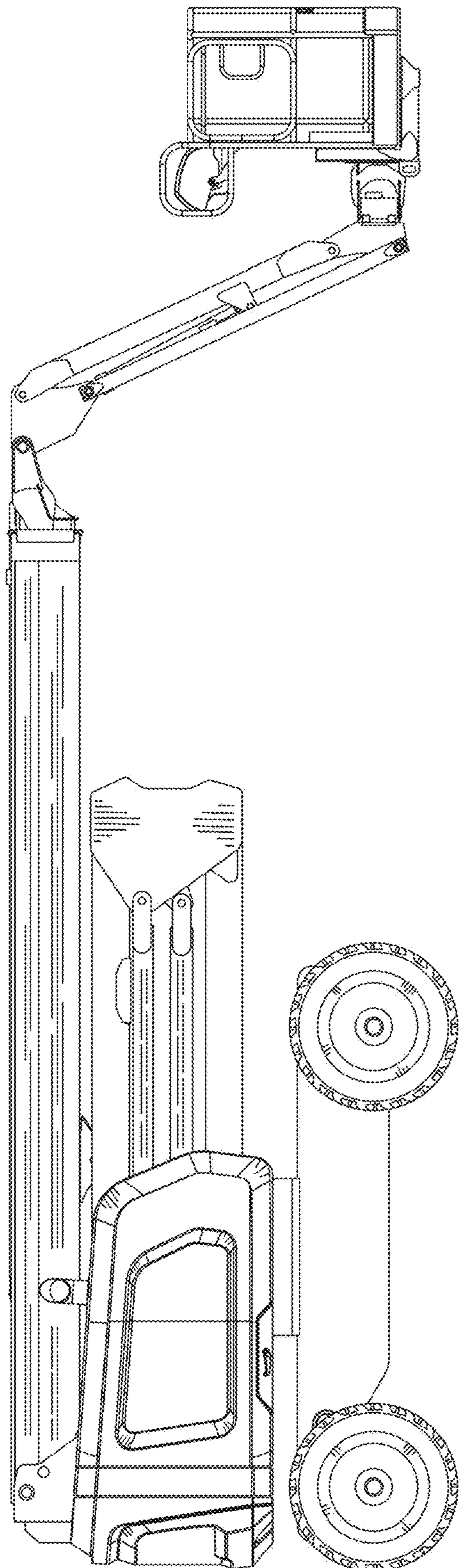
*FIG. 2*



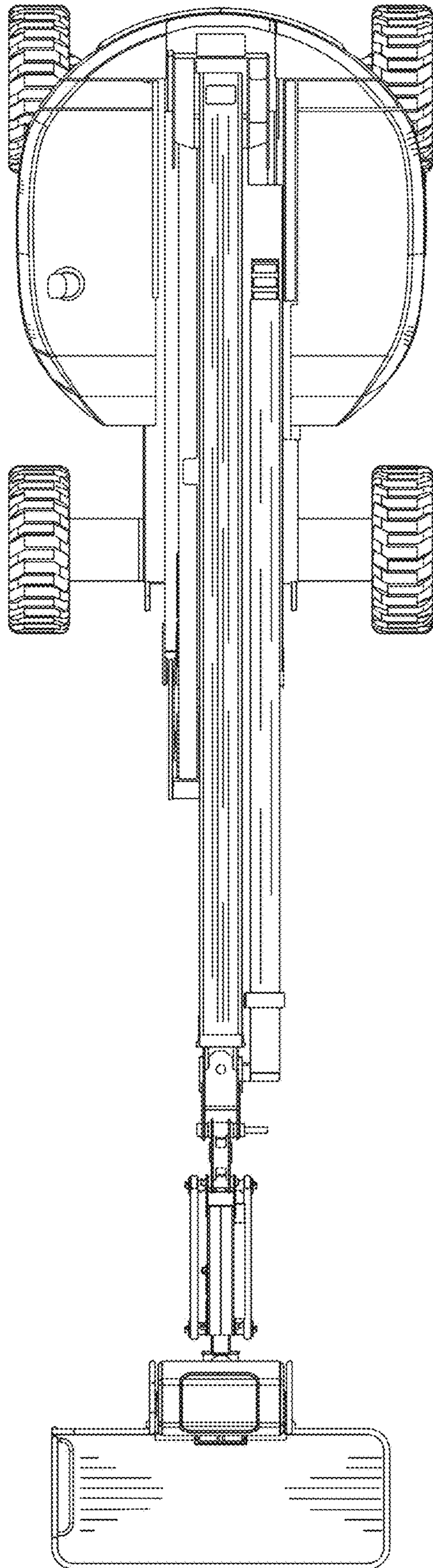
*FIG. 3*



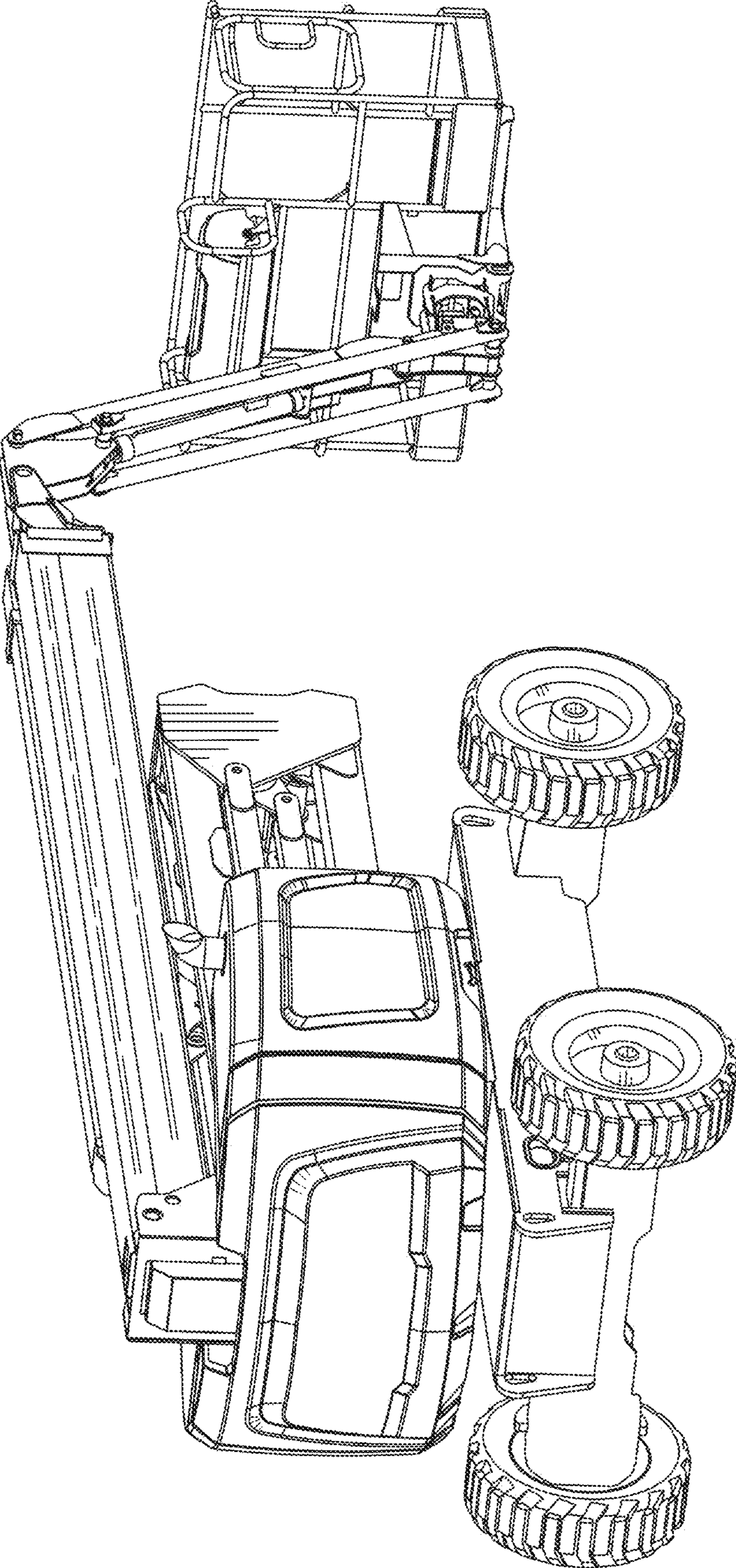
*FIG. 4*



*FIG. 5*



*FIG. 6*



*FIG. 7*