



US00D981074S

(12) **United States Design Patent** (10) **Patent No.:** **US D981,074 S**
Ye (45) **Date of Patent:** **** Mar. 14, 2023**

(54) **JACK PAD**

OTHER PUBLICATIONS

(71) Applicant: **Liang Ye**, Guangzhou (CN)

Traverseridgeracing.com retrieved Jan. 18, 2023, The original Tesla jack pad, <https://www.traverseridgeracing.com/product-page/the-original-jack-pad> (Year: 2018).*

(72) Inventor: **Liang Ye**, Guangzhou (CN)

Amazon.com retrieved Jan. 18, 2023, Vicasky floor jack pad, <https://www.amazon.com/VICASKY-Floor-Adapter-Compatible-Model/dp/B0BJJT47Q5> (Year: 2023).*

(**) Term: **15 Years**

Jack Pad, Rivigear Jack Pucks Floor Jack Lifting Jack Pad Lift Point Adapter with Storage Case Compatible with Rivian R1T R1S—4 Pack, amazon.com, Aug. 31, 2022, https://www.amazon.com/dp/B0BCJPPR1V?ref=myi_title_dp (Last accessed: Aug. 14, 2022).

(21) Appl. No.: **29/856,674**

(22) Filed: **Oct. 17, 2022**

(51) **LOC (14) Cl.** **12-05**

(52) **U.S. Cl.**
USPC **D34/31**

(58) **Field of Classification Search**
USPC D34/31, 35; D8/29, 373
CPC .. B66F 3/18; B66F 13/00; A47F 3/002; B60P 7/02; B60D 1/605; B60N 21/162
See application file for complete search history.

* cited by examiner

Primary Examiner — Cynthia Ramirez

(74) *Attorney, Agent, or Firm* — Rumit Ranjit Kanakia

(56) **References Cited**

(57) **CLAIM**

The ornamental design for an jack pad, as shown and described.

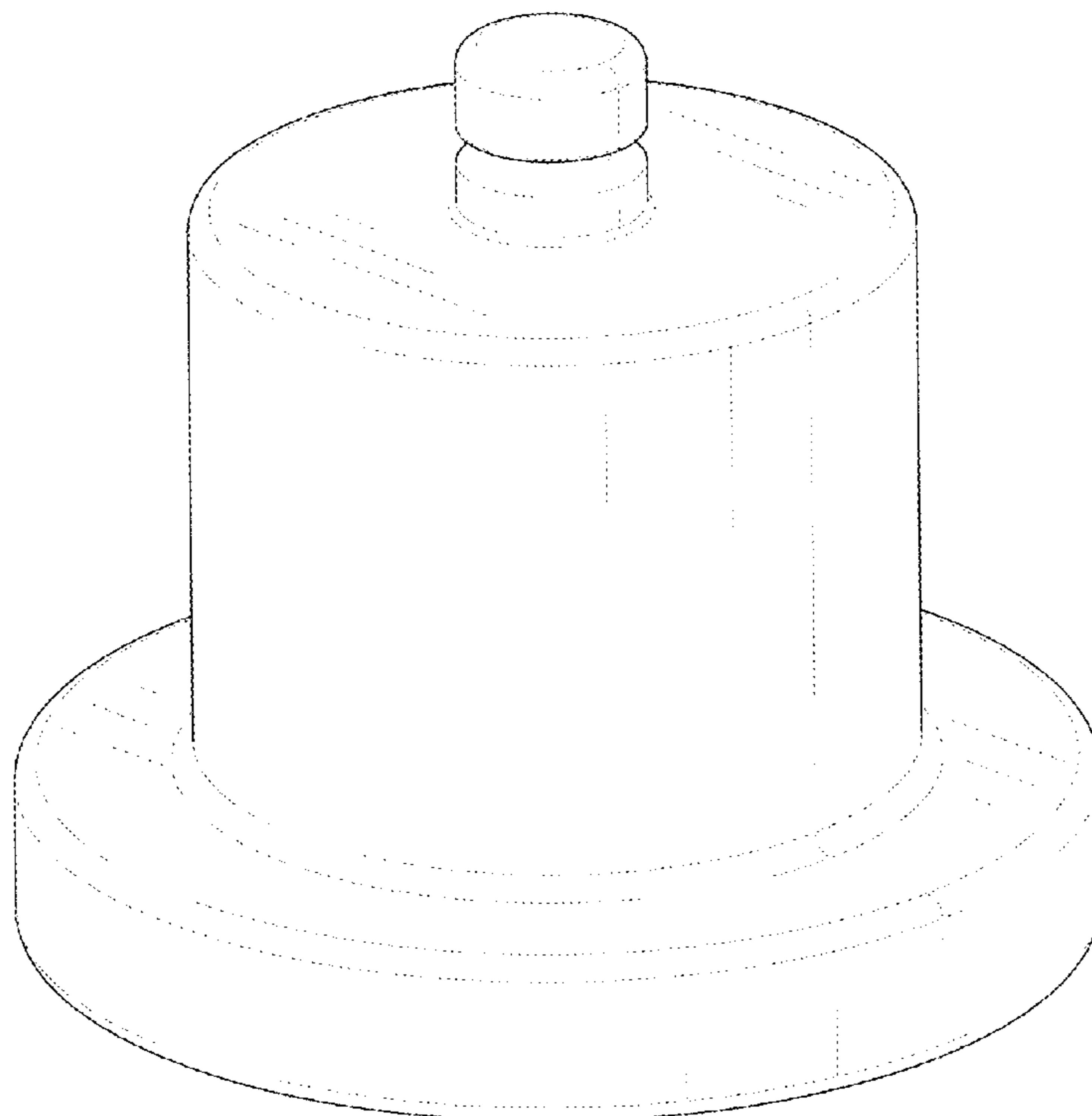
U.S. PATENT DOCUMENTS

DESCRIPTION

D425,281 S *	5/2000	Ridge	D34/31
D440,022 S *	4/2001	Simpson	D34/31
D443,747 S	6/2001	Ridge		
D532,178 S	11/2006	Martin		
D535,699 S *	1/2007	Krapf	D19/65
D537,604 S	2/2007	Redman		
D634,914 S	3/2011	Marroquin		
D639,011 S *	5/2011	Ahrenholtz	D34/31
D749,288 S	2/2016	Madison		
D760,465 S	6/2016	Amberchase		
D866,409 S	11/2019	Lambros		
D893,120 S	8/2020	Delancey		
D922,024 S	6/2021	Wang		
D922,720 S	6/2021	White, II		

FIG. 1 is a front perspective view of an jack pad showing my new design;
FIG. 2 is a rear perspective view thereof;
FIG. 3 is a front elevational view thereof, the rear elevational view, left side view and right side view are identical;
FIG. 4 is a top plan view thereof; and,
FIG. 5 is a bottom plan view thereof.
The broken lines in the figures are for the purposes of illustrating portions of the jack pad, which form no part of the claimed design.

1 Claim, 5 Drawing Sheets



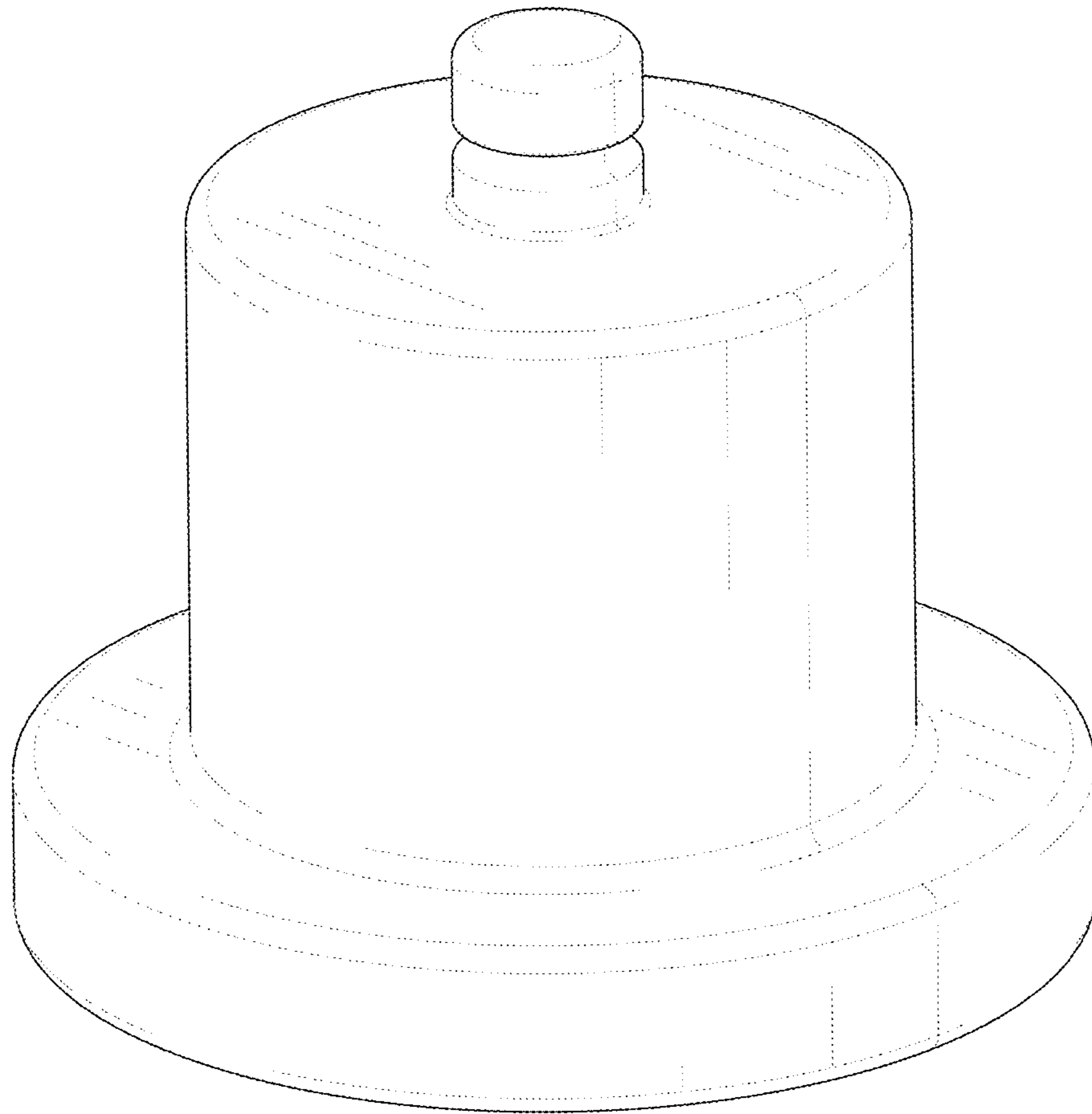


FIG. 1

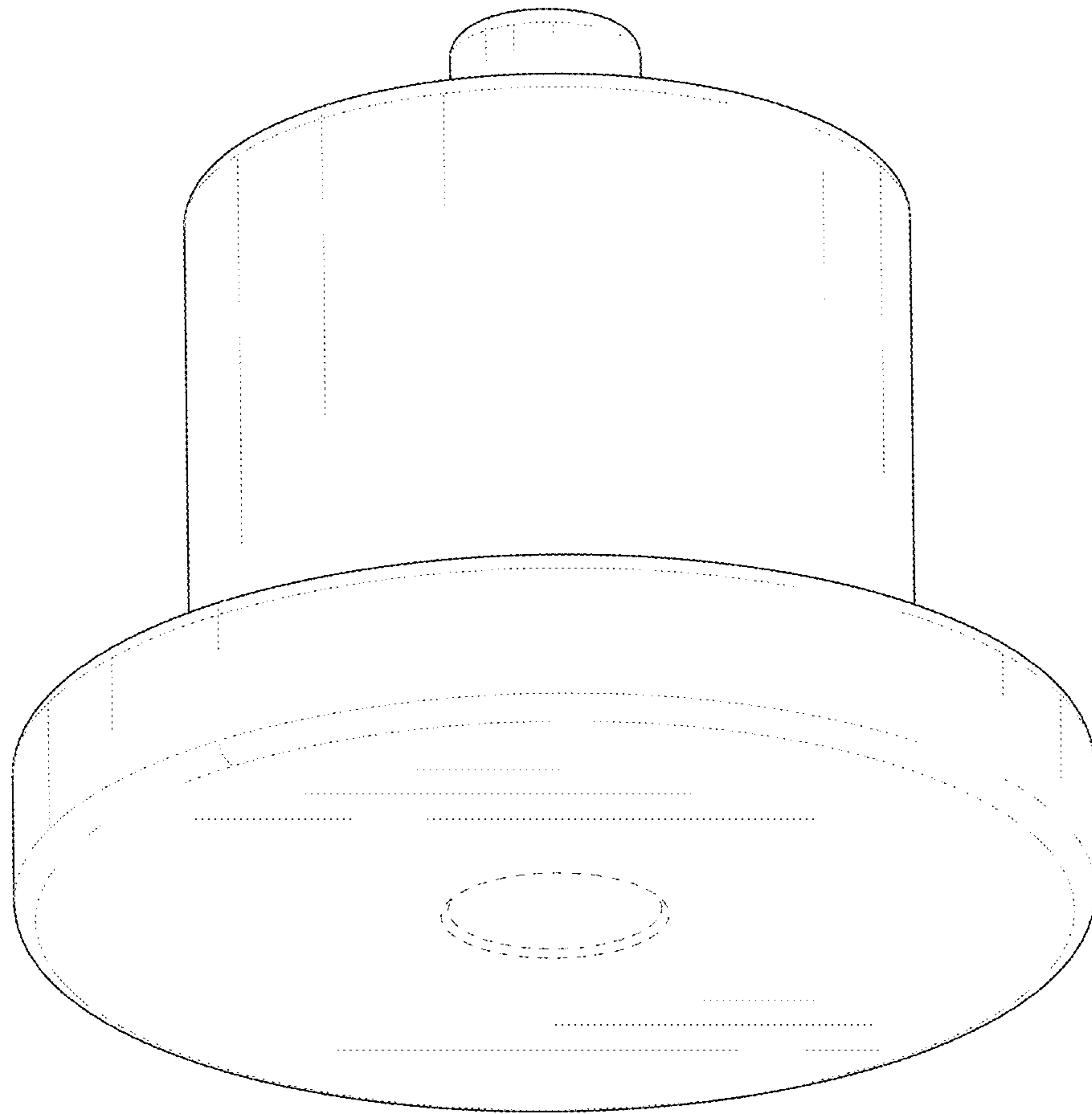


FIG. 2

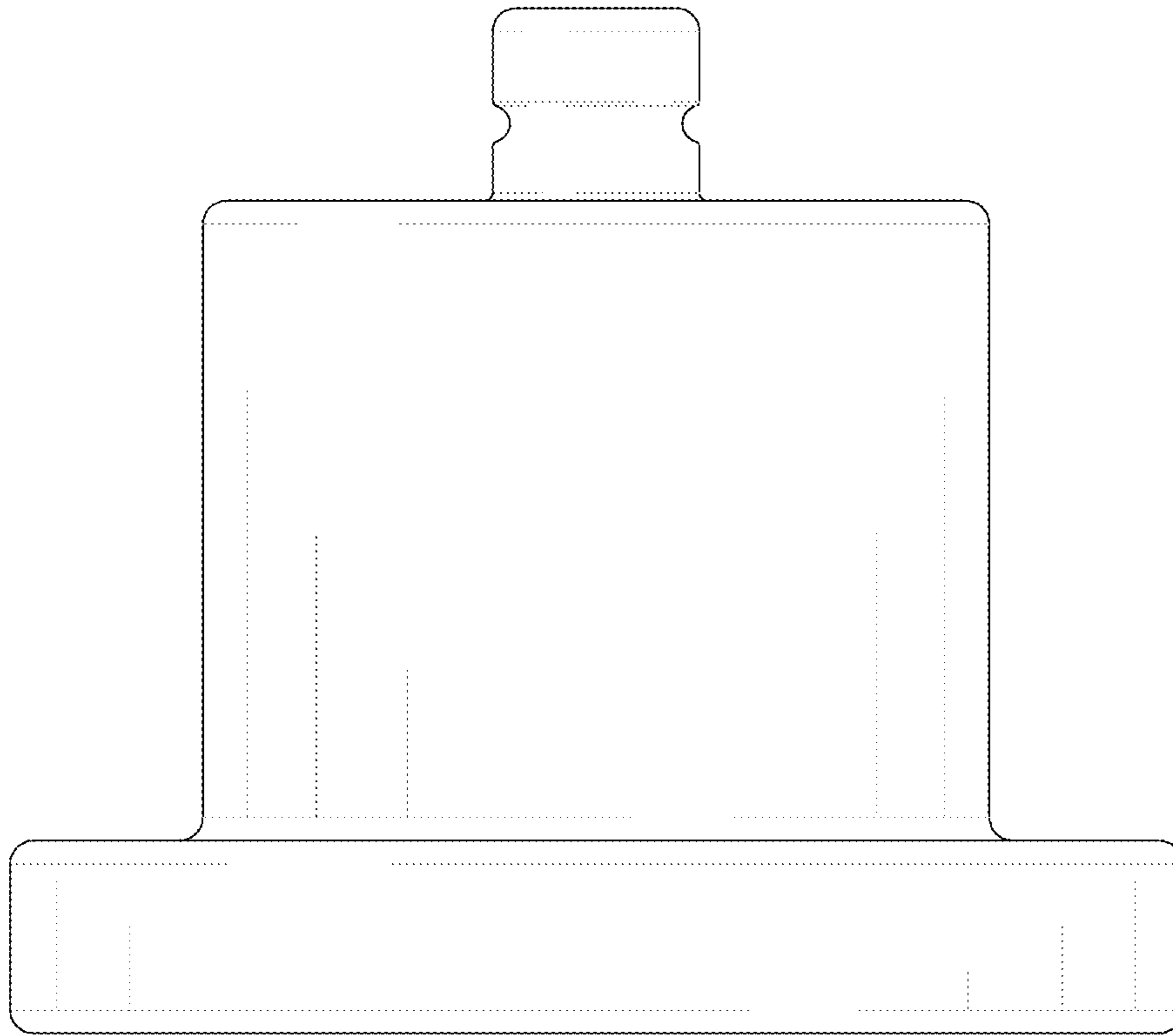


FIG. 3

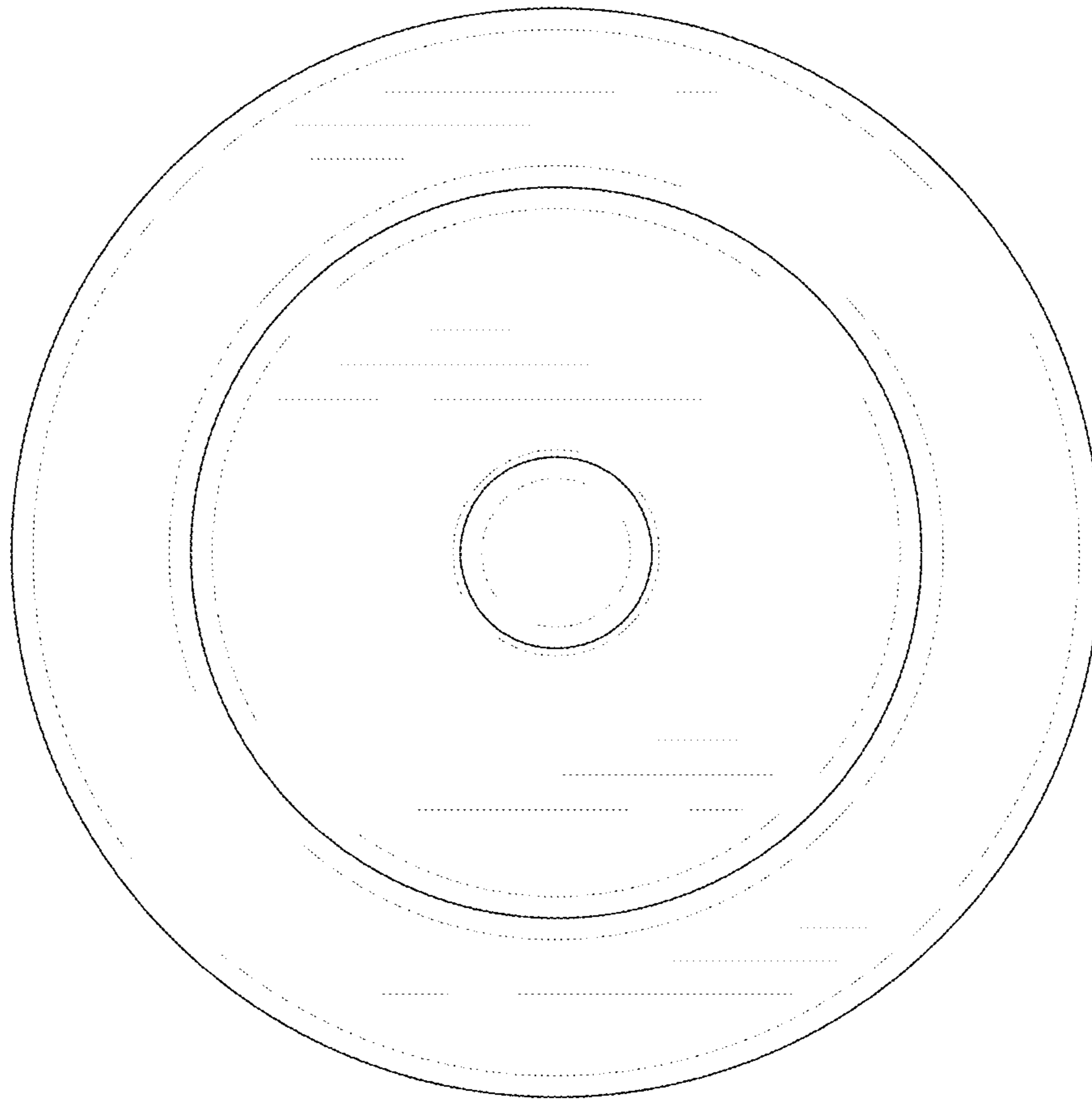


FIG. 4



FIG. 5