



US00D981073S

(12) **United States Design Patent** (10) **Patent No.:** **US D981,073 S**
Ye (45) **Date of Patent:** **** Mar. 14, 2023**

(54) **SERVING CART**

(71) Applicant: **Junyi Ye**, Xiamen (CN)

(72) Inventor: **Junyi Ye**, Xiamen (CN)

(**) Term: **15 Years**

(21) Appl. No.: **29/776,832**

(22) Filed: **Apr. 1, 2021**

(51) **LOC (14) Cl.** **12-02**

(52) **U.S. Cl.**
USPC **D34/21**

(58) **Field of Classification Search**
USPC D34/12, 14, 17, 19, 20, 21
CPC B62B 1/12; B62B 3/02; B62B 3/0606;
B62B 5/0438; B62B 3/005; B62B 5/00
See application file for complete search history.

(56) **References Cited**

U.S. PATENT DOCUMENTS

D174,193 S *	3/1955	Pinkus	D34/21
D176,473 S *	12/1955	Moxley	D34/21
D228,750 S *	10/1973	Olko	D34/21
D285,853 S *	9/1986	Hubert	D34/21
D430,964 S *	9/2000	Liaw	D34/21
D439,109 S *	3/2001	Pai	D34/20
D463,086 S *	9/2002	Harwanko	D34/21
D469,591 S *	1/2003	Vanderminden	D34/21
D478,199 S *	8/2003	Presnell	D34/20
D505,804 S *	6/2005	Chen	D34/19
D569,571 S *	5/2008	Irfan	D34/17
D585,621 S *	1/2009	Taillon	
D598,623 S *	8/2009	Zang Wentz Pho	D34/20
D616,551 S *	5/2010	Fallon et al.	
D636,550 S *	4/2011	Molayem	
D747,837 S *	1/2016	Chang	D34/21
D809,730 S *	2/2018	Churchvara et al.	
D835,875 S *	12/2018	Sokol	D34/21
2014/0217690 A1 *	8/2014	Schumaker	A47B 31/00 280/47.35

OTHER PUBLICATIONS

Google search Oct. 25, 2021, Hello Furniture & Mattress, ACME furniture traverse champagne & mirrored serving cart, <https://www.hellofurniture.com/product/acme-furniture-traverse-champagne-mirrored-serving-cart-98295-285871> (Year: 2021).*

Google search Oct. 25, 2021, Overstock.com, Contemporary Antique Gold 2tier mobile bar cart, <https://www.overstock.com/Home-Garden/Contemporary-Antique-Gold-2-Tier-Mobile-Bar-Cart/25659404/product.html?opre=1&option=43006084> (Year: 2021).*

https://www.amazon.com/LVB-Kitchen-Industrial-Portable-Rolling/dp/B08SQJNNDQ/ref=pd_vtp_2/142-8710622-5458366?pf_rd_w=a3eSC&pf_rd_p=96226b5f-2d9a-439b-be45-97603787c682&pf_rd_r=D82ZAAPXQTGF4EW17D7G&pd_rd_r=2f3c72fb-60d5-43f8-a96c-26bf10e5e036&pd_rd_wg=jlZXM&pd_rd_i=B08SQJNNDQ&th=1 (Year: 2021).*

https://web.archive.org/web/20170426084717/http://www.hobbitouseinc.com/personal/woodpics/_anatomy/wavy_grain/_wavygrain.htm (Year: 2020).*

* cited by examiner

Primary Examiner — Cynthia Ramirez

(74) *Attorney, Agent, or Firm* — Rumit Ranjit Kanakia

(57) **CLAIM**

I claim the ornamental design for a serving cart, as shown and described.

DESCRIPTION

FIG. 1 is a Perspective view of a serving cart showing my new design;

FIG. 2 is a Front view thereof;

FIG. 3 is a Back view thereof;

FIG. 4 is a Right-side view thereof;

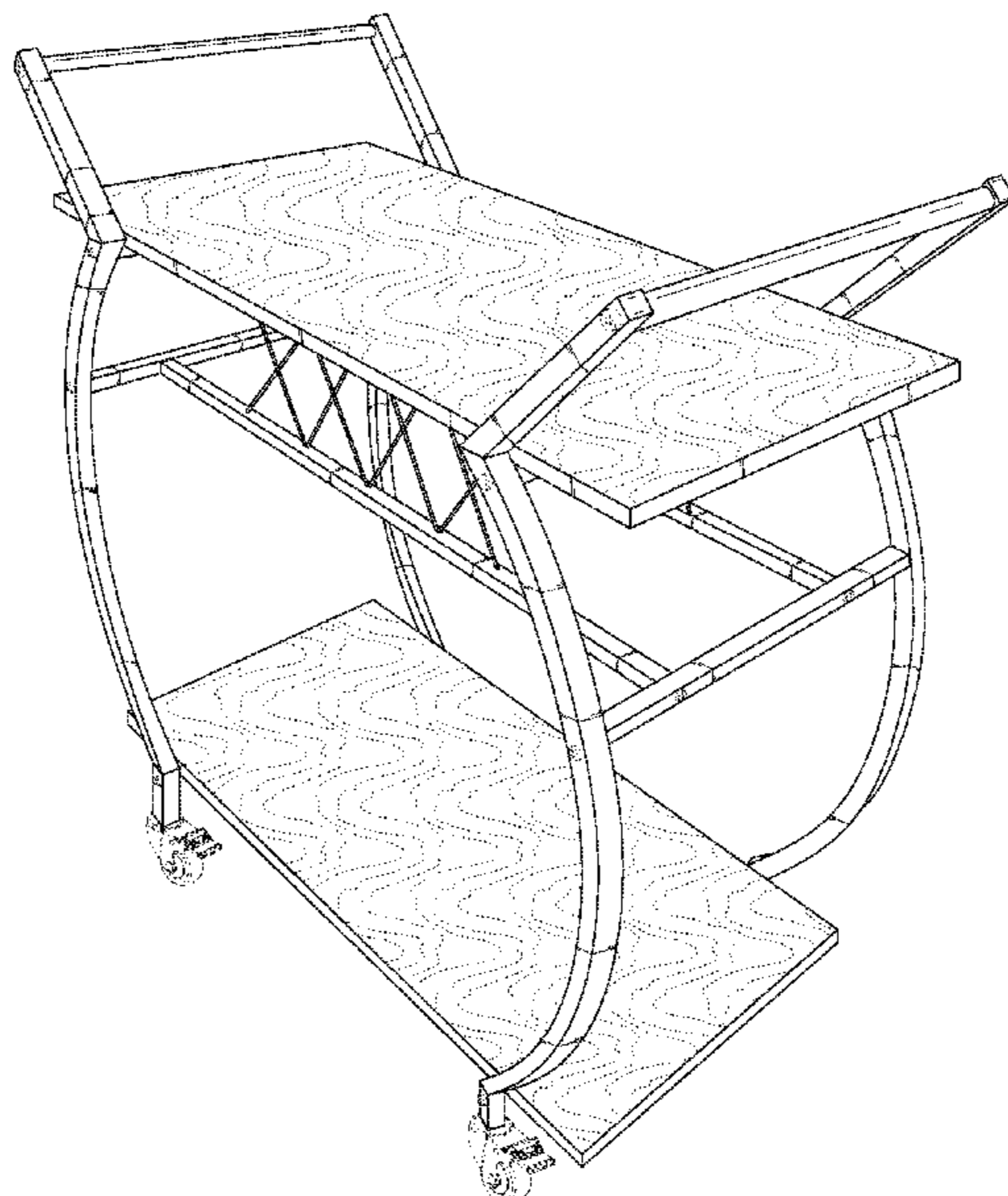
FIG. 5 is a Left-side view thereof;

FIG. 6 is a Top view thereof; and,

FIG. 7 is a Bottom view thereof.

The broken lines in the drawings depict portions of the serving cart that form no part of the claimed design.

1 Claim, 6 Drawing Sheets



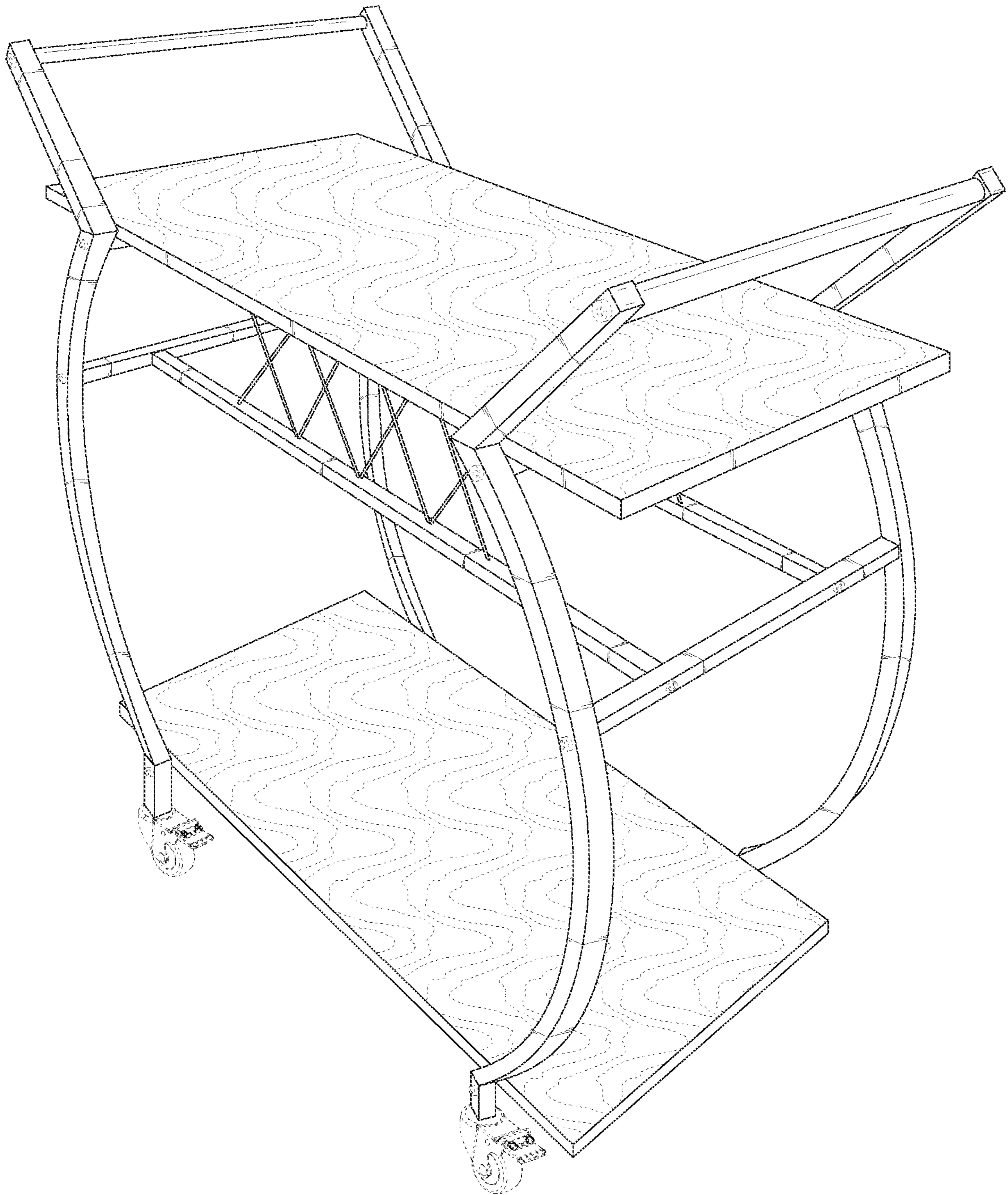


FIG. 1

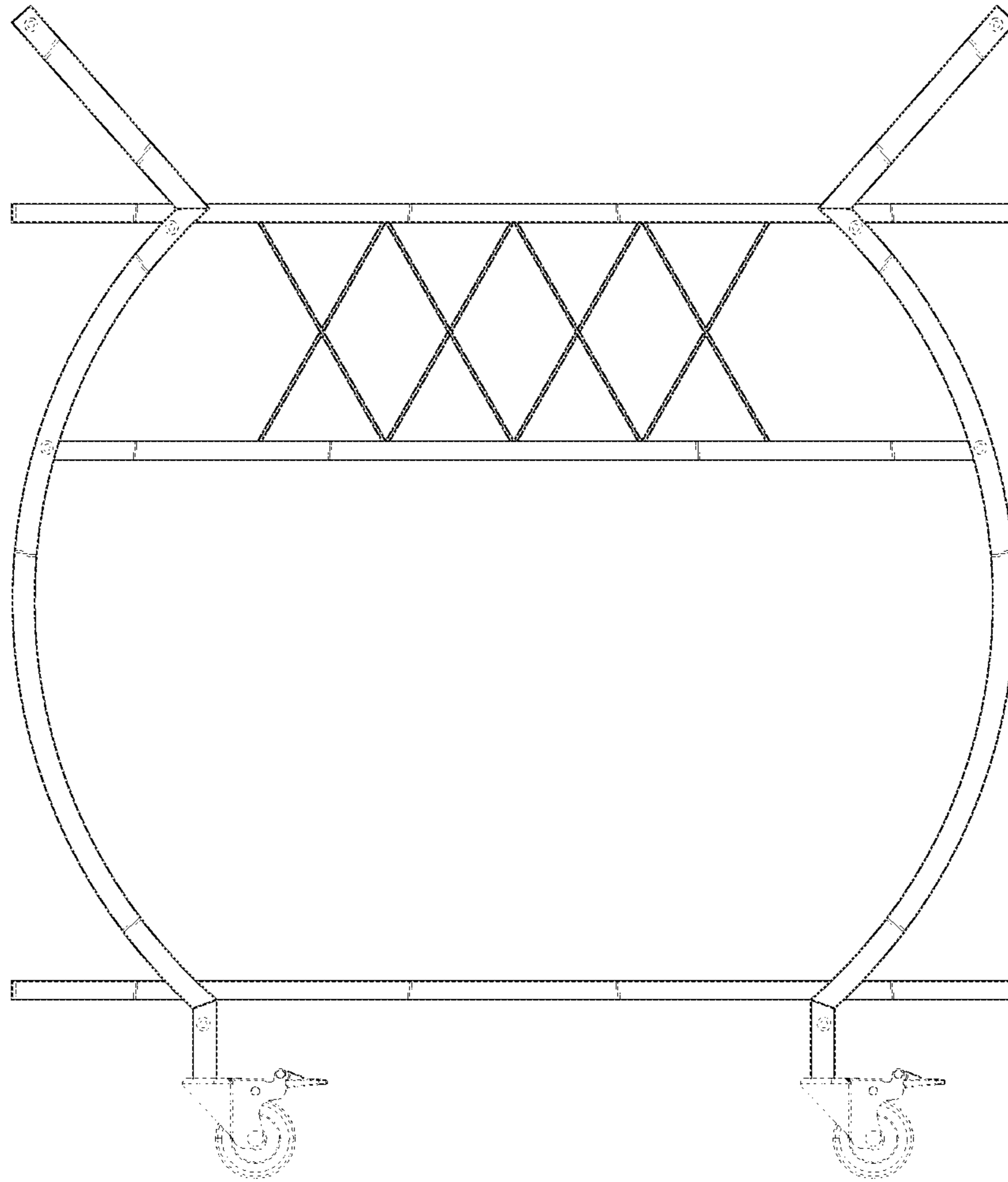


FIG. 2

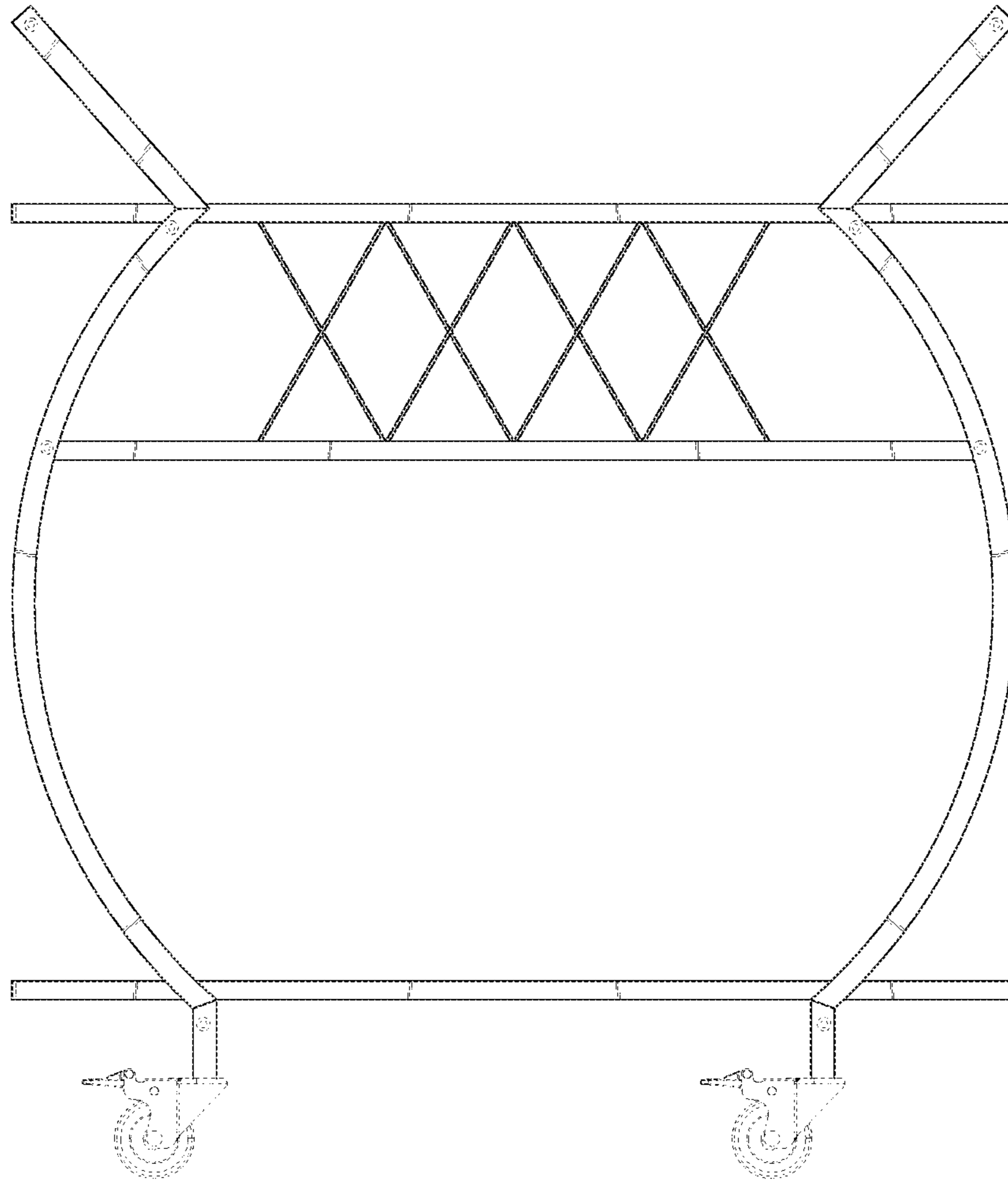


FIG. 3

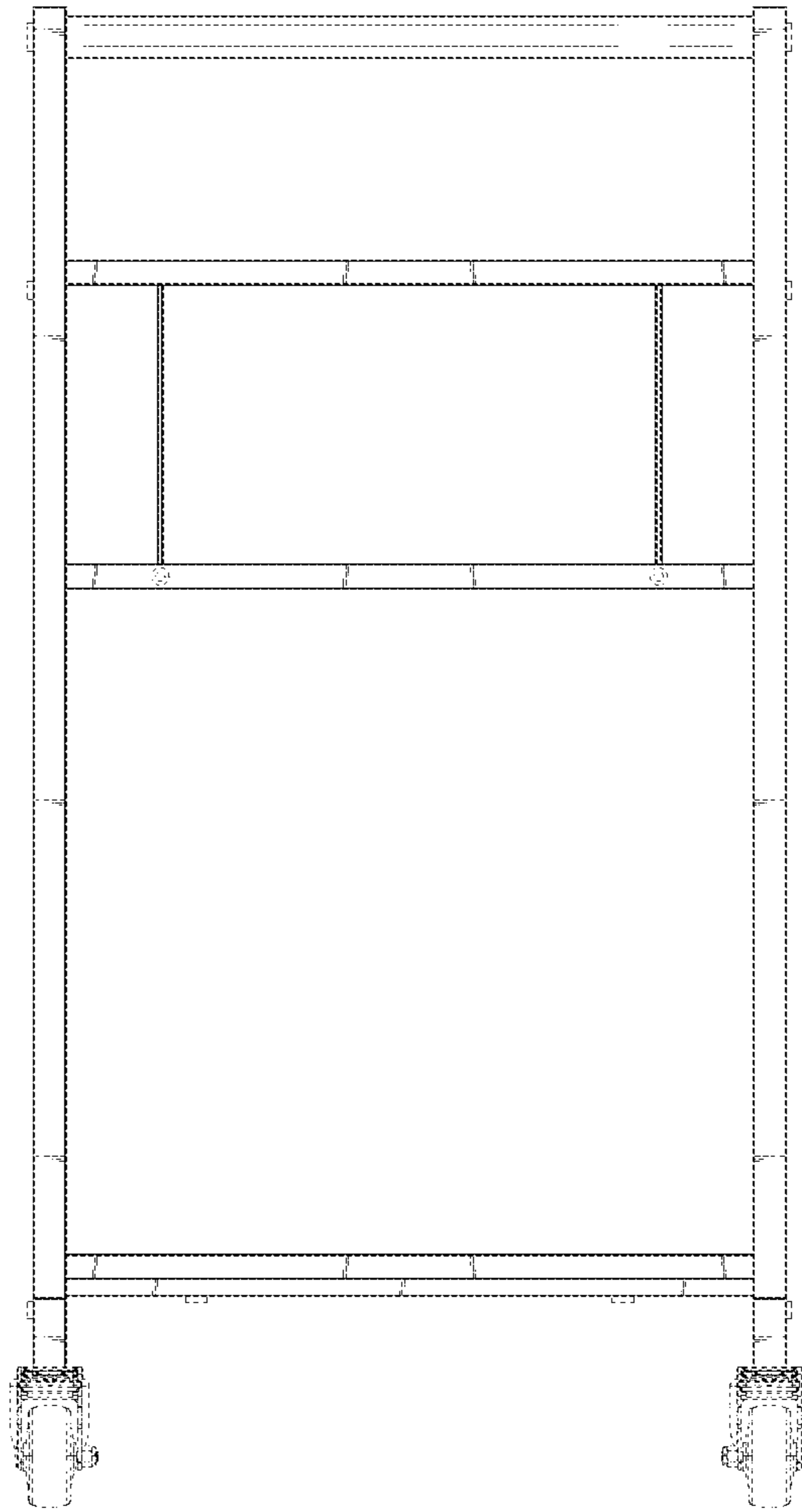


FIG. 4

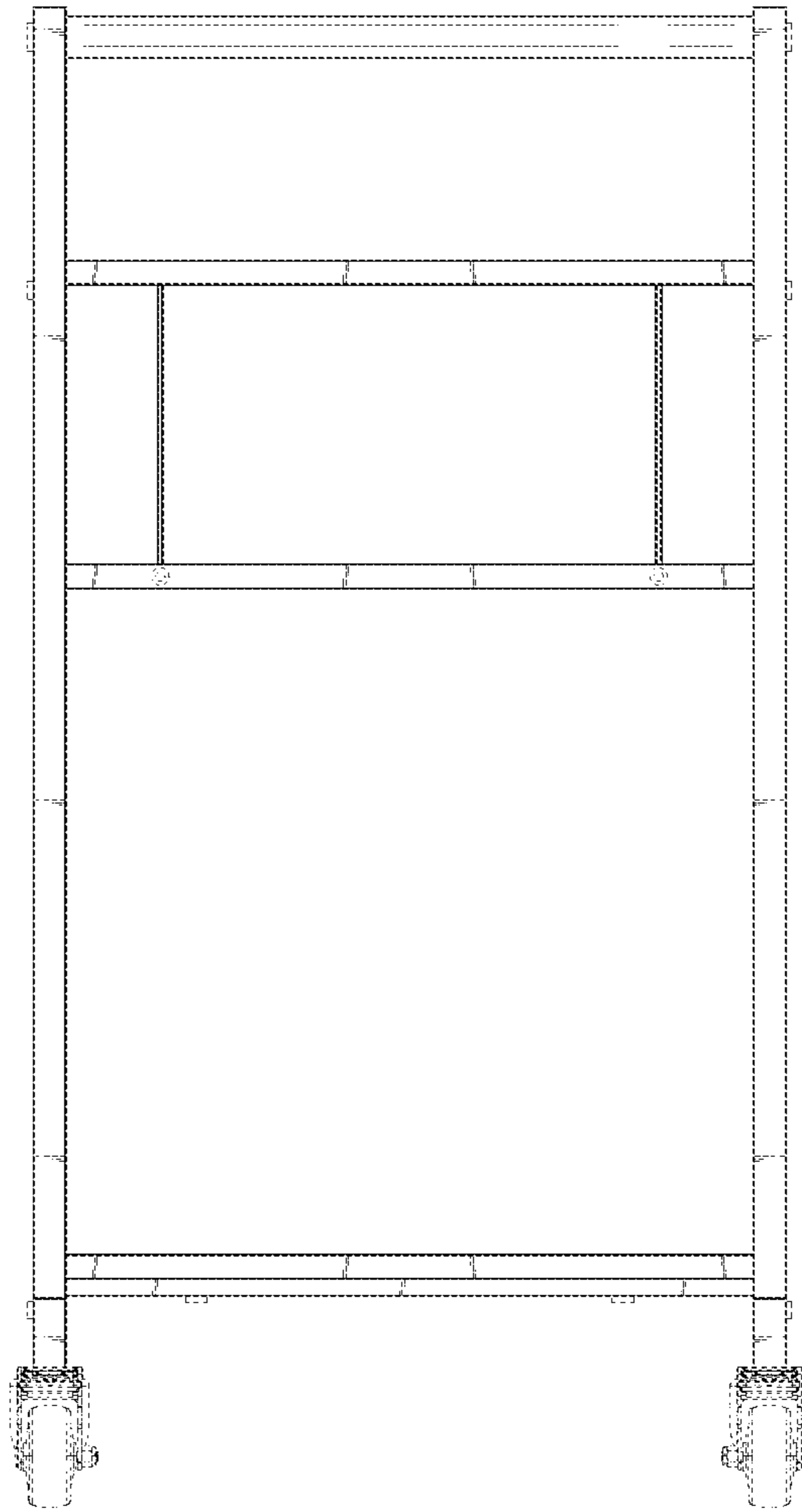


FIG. 5

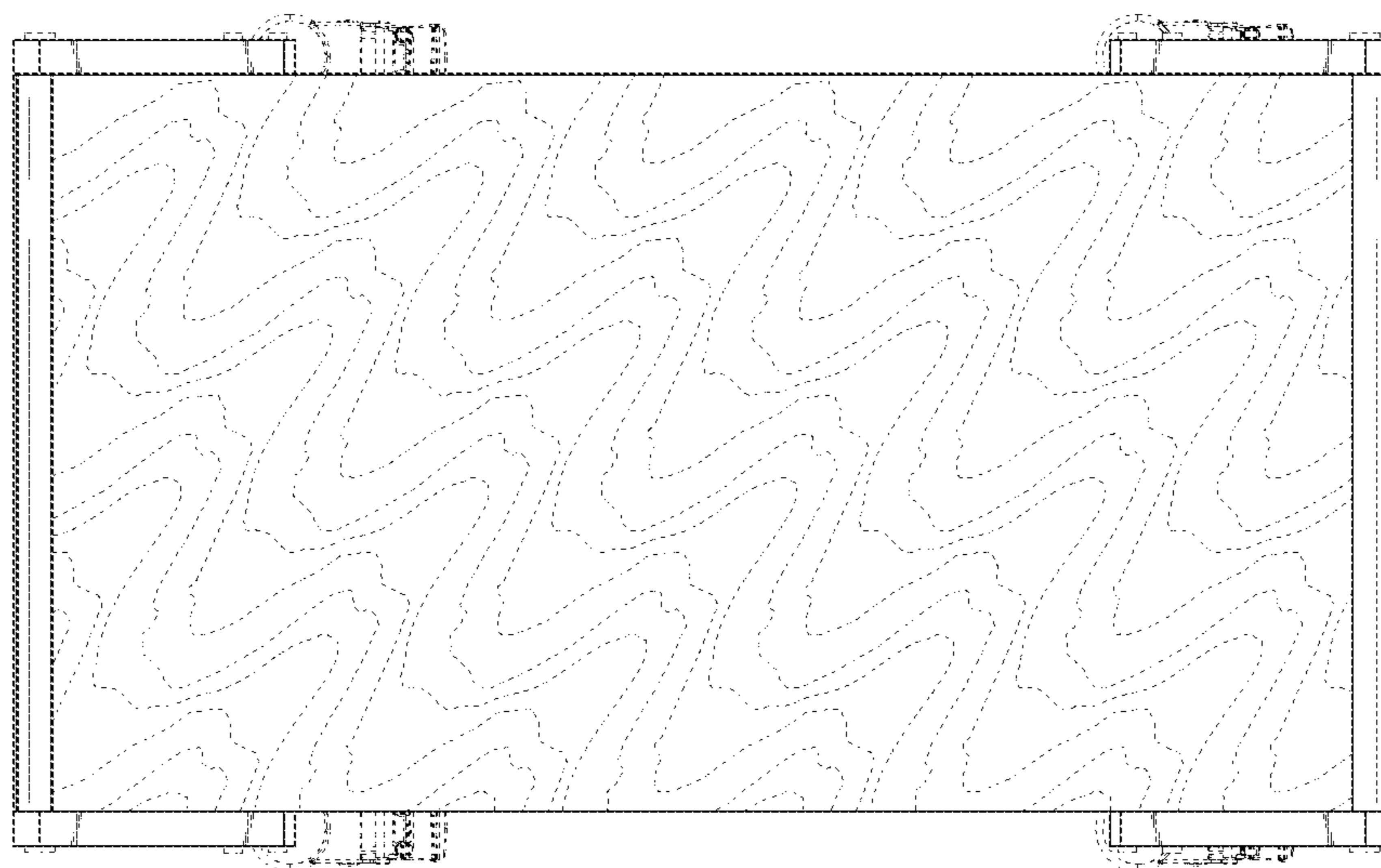


FIG. 6

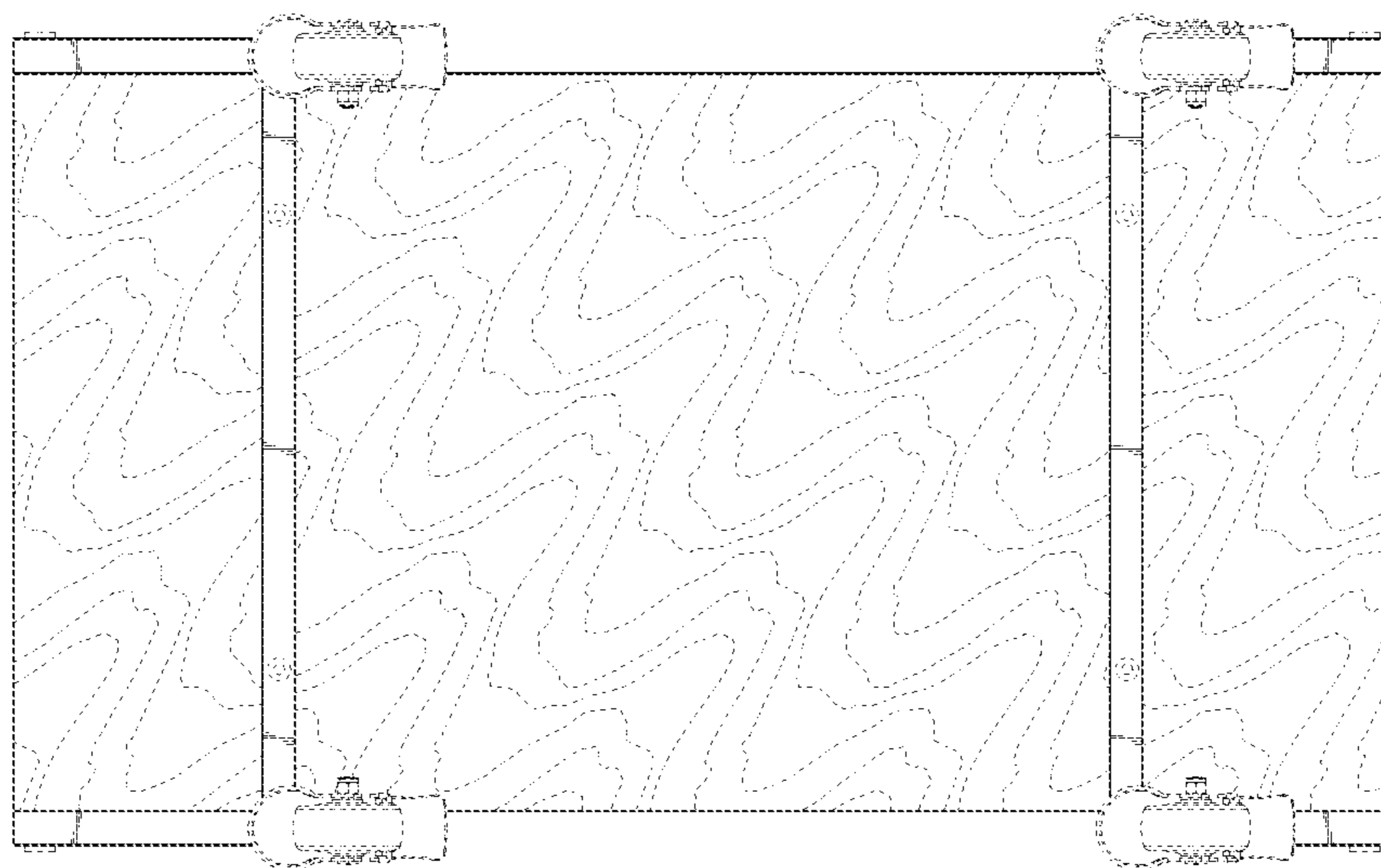


FIG. 7