



US00D981070S

(12) **United States Design Patent**
Stone

(10) **Patent No.:** **US D981,070 S**
(45) **Date of Patent:** **** Mar. 14, 2023**

- (54) **CONVERTIBLE CART**
- (71) Applicant: **Current Tools, Inc.**, Greenville, SC (US)
- (72) Inventor: **Heather Stone**, Fletcher, NC (US)
- (73) Assignee: **Current Tools, Inc.**, Greenville, SC (US)
- (**) Term: **15 Years**
- (21) Appl. No.: **29/760,296**
- (22) Filed: **Nov. 30, 2020**
- (51) **LOC (14) Cl.** **12-02**
- (52) **U.S. Cl.**
USPC **D34/12**
- (58) **Field of Classification Search**
USPC D34/12, 14, 17, 20, 21, 27
CPC .. B62B 1/00; B62B 1/008; B62B 1/12; B62B 1/10; B62B 3/002; B62B 3/006; B62B 3/02; B62B 3/10; B62B 3/022; B62B 3/001; B62B 3/067; B62B 3/005; B62B 2205/02; B62B 2205/20; B62B 2205/26; B62B 2205/33
See application file for complete search history.

- 6,131,925 A * 10/2000 Weldon B62B 1/12 280/30
- D439,719 S * 3/2001 Kleinschmidt D34/12
- 6,206,385 B1 * 3/2001 Kern B62B 3/102 280/47.35
- D445,229 S * 7/2001 Stravitz B62B 1/002 D34/12

(Continued)

OTHER PUBLICATIONS

Currenttools.com Oct. 28, 2022, 518 Convertible Cart, <https://currenttools.com/products/transport-storage-carts/wire-carts/518-convertible-cart/> (Year: 2022).*

Primary Examiner — Cynthia Ramirez

(74) *Attorney, Agent, or Firm* — Dority & Manning, P.A.

(57) **CLAIM**

The ornamental design for a convertible cart, as shown and described.

DESCRIPTION

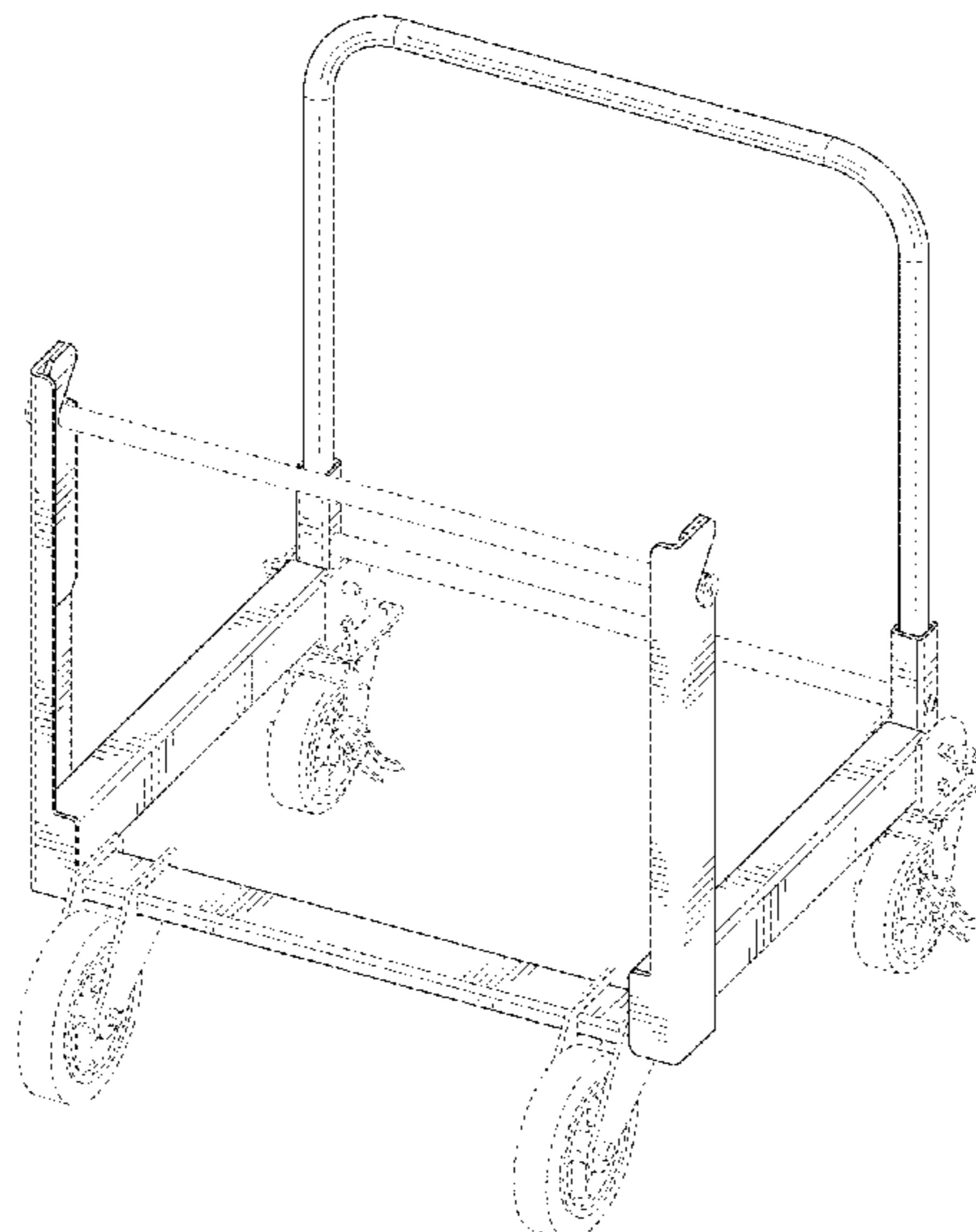
FIG. 1 is a perspective view of the convertible cart;
 FIG. 2 is a perspective view of the convertible cart of FIG. 1 in a converted dolly configuration;
 FIG. 3 is a front view of the convertible cart of FIG. 1;
 FIG. 4 is a rear view of the convertible cart of FIG. 1;
 FIG. 5 is a right side view of the convertible cart of FIG. 1;
 FIG. 6 is a left side view of the convertible cart of FIG. 1;
 FIG. 7 is a top view of the convertible cart of FIG. 1;
 FIG. 8 is a bottom view of the convertible cart of FIG. 1;
 and,
 FIG. 9 is a perspective view of the convertible cart of FIG. 1, particularly illustrating the convertible cart in use transporting a reel.
 The broken lines illustrate portions of the convertible cart that form no part of the claimed design. The additional broken lines in FIG. 9 show environment that is not part of the claimed design.

1 Claim, 9 Drawing Sheets

(56) **References Cited**

U.S. PATENT DOCUMENTS

- 4,679,805 A * 7/1987 Cunningham B62B 3/00 108/91
- 5,118,130 A * 6/1992 Kaltz F17C 13/085 280/654
- D329,727 S * 9/1992 DeWitt B62B 5/06 D34/17
- D338,759 S * 8/1993 Ocuin D34/12
- 5,490,688 A * 2/1996 Cheng B62B 1/12 D34/12
- 6,053,515 A * 4/2000 Kelley B62B 1/002 280/655



(56)

References Cited

U.S. PATENT DOCUMENTS

7,309,070 B2 * 12/2007 Hanaoka B62B 5/06
D34/27
10,183,209 B1 * 1/2019 Orenstein B62B 3/10
D886,403 S * 6/2020 Heck B62B 3/005
D34/21
2011/0313604 A1 * 12/2011 Kume B62B 5/0404
701/22
2016/0200337 A1 * 7/2016 Abel B62B 3/005
280/86

* cited by examiner

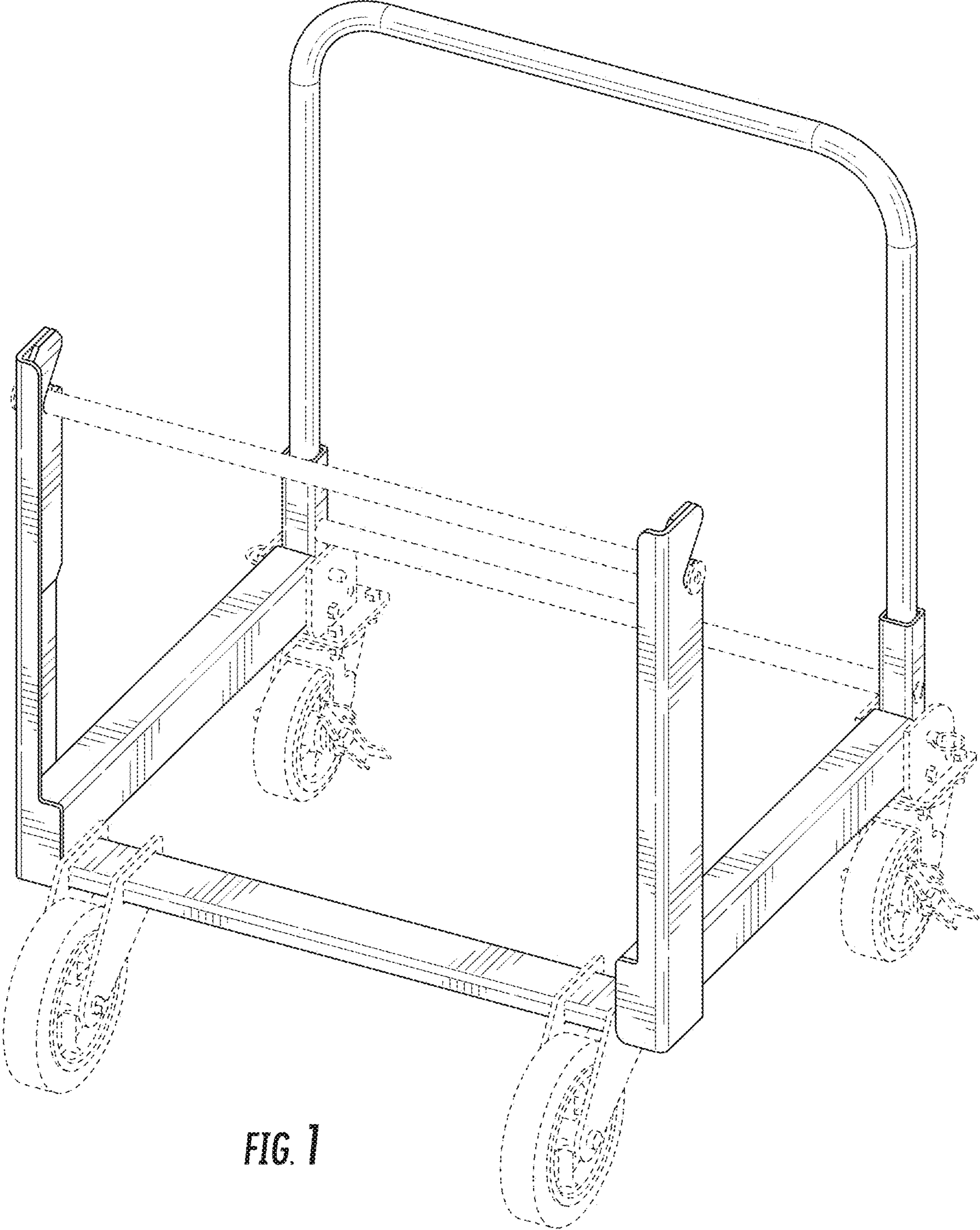


FIG. 1

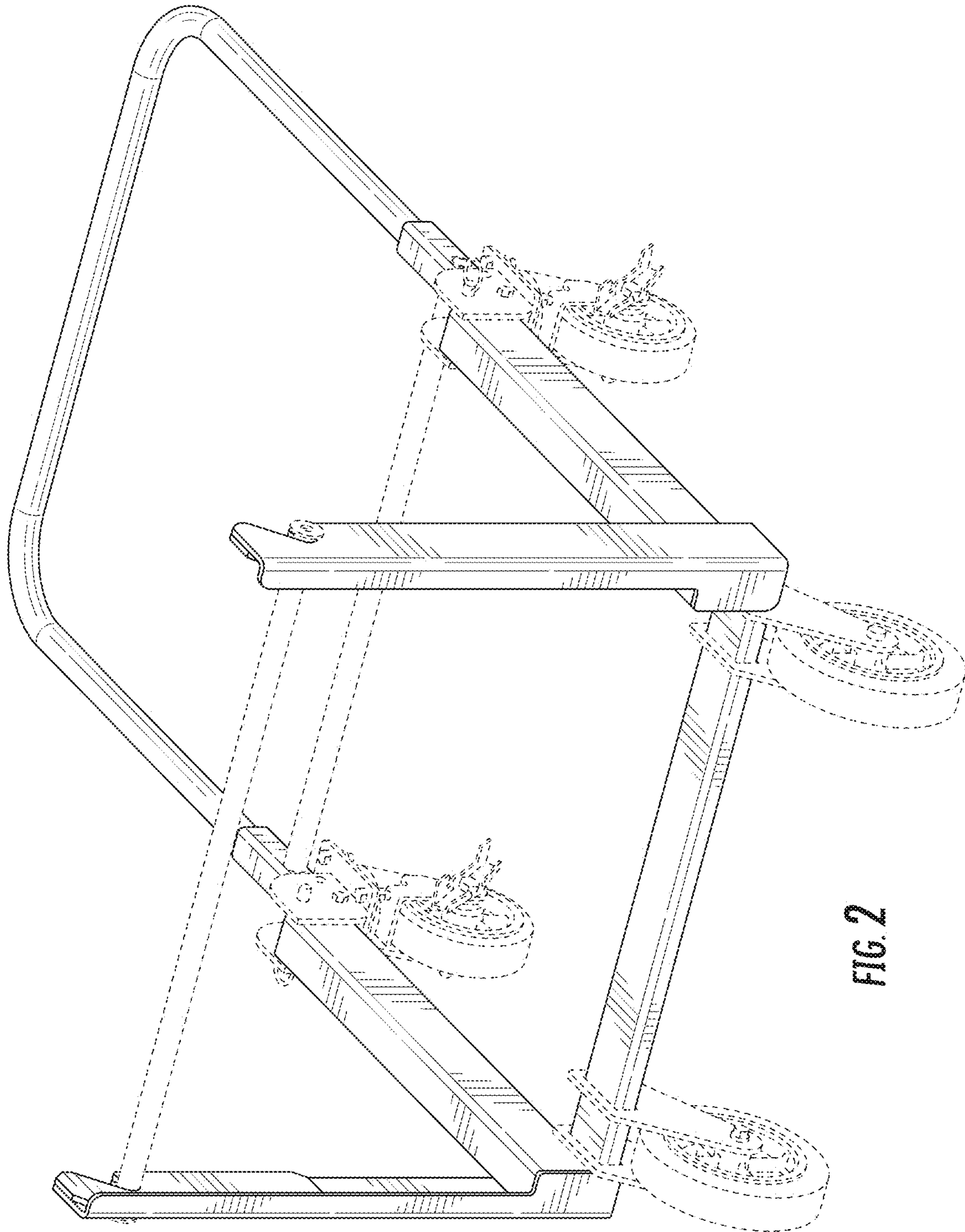


FIG. 2

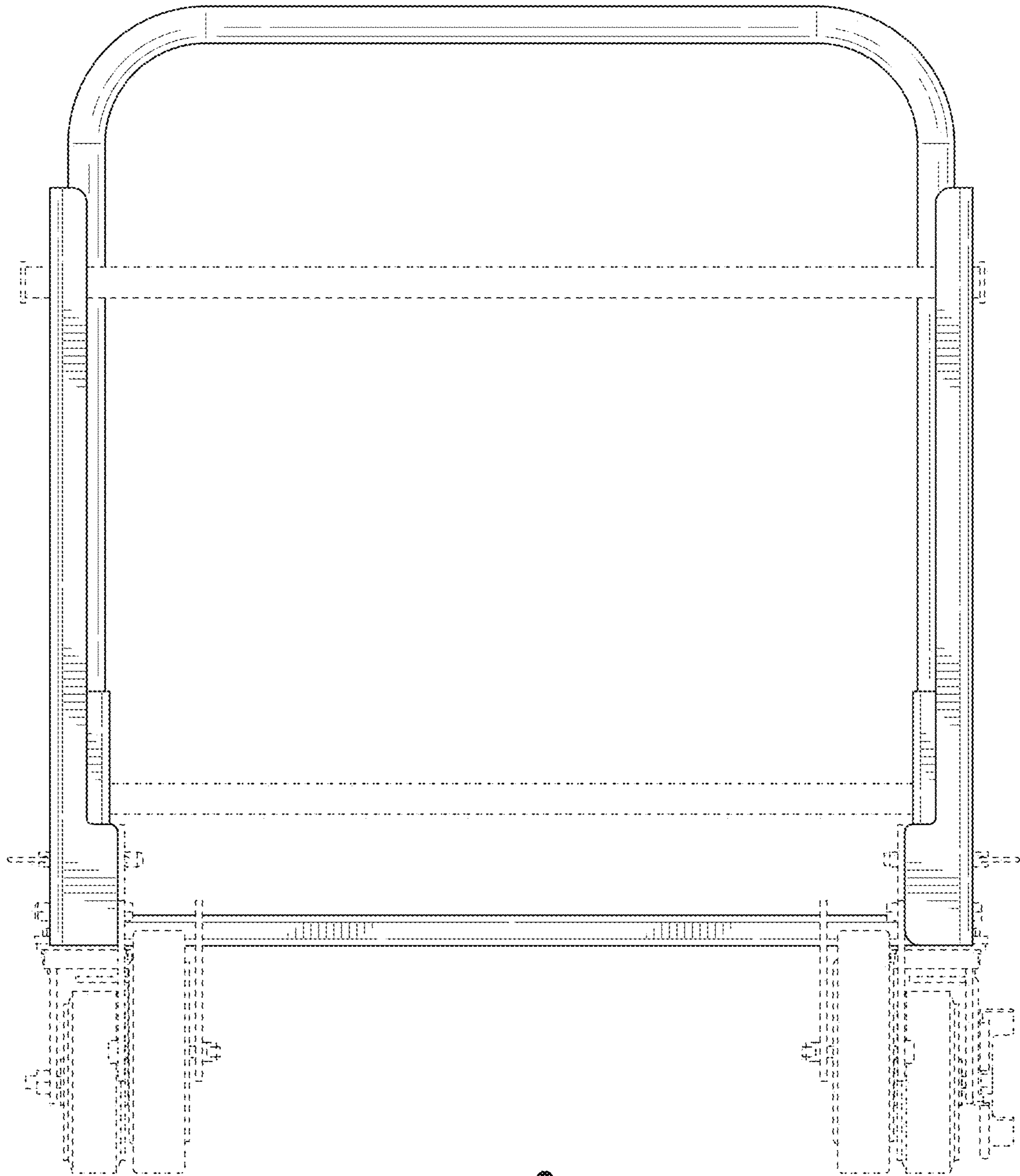


FIG. 3

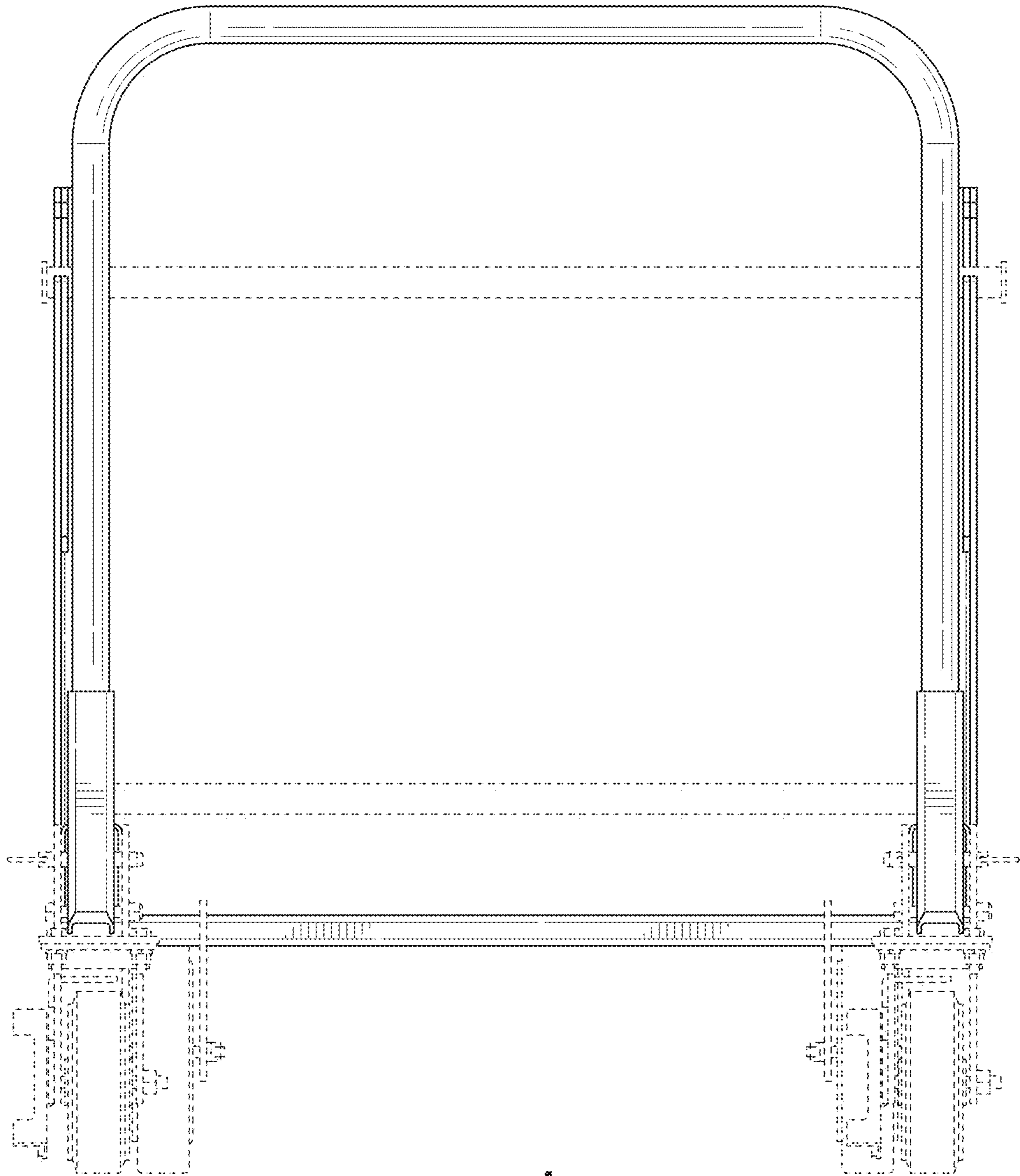


FIG. 4

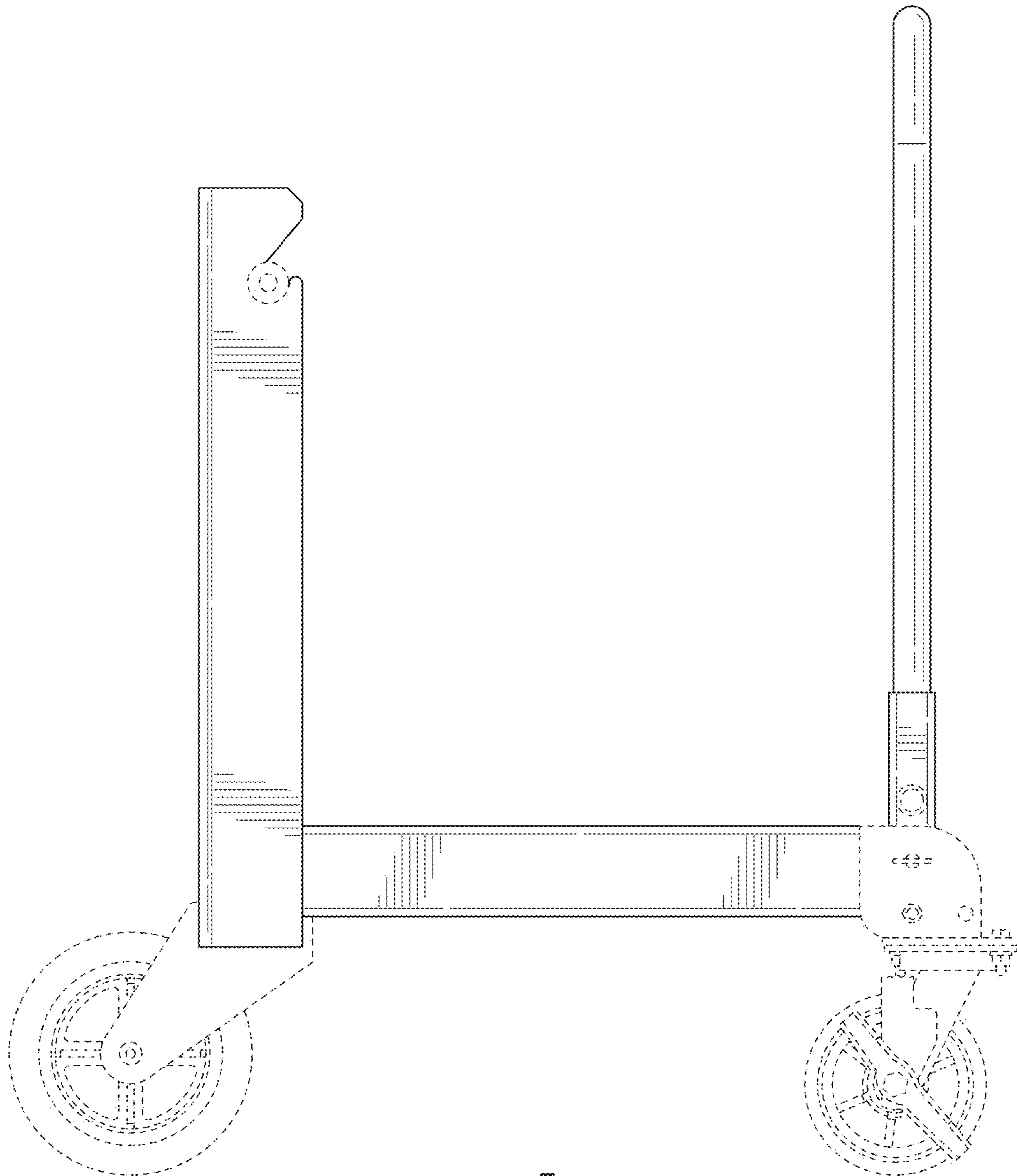


FIG. 5

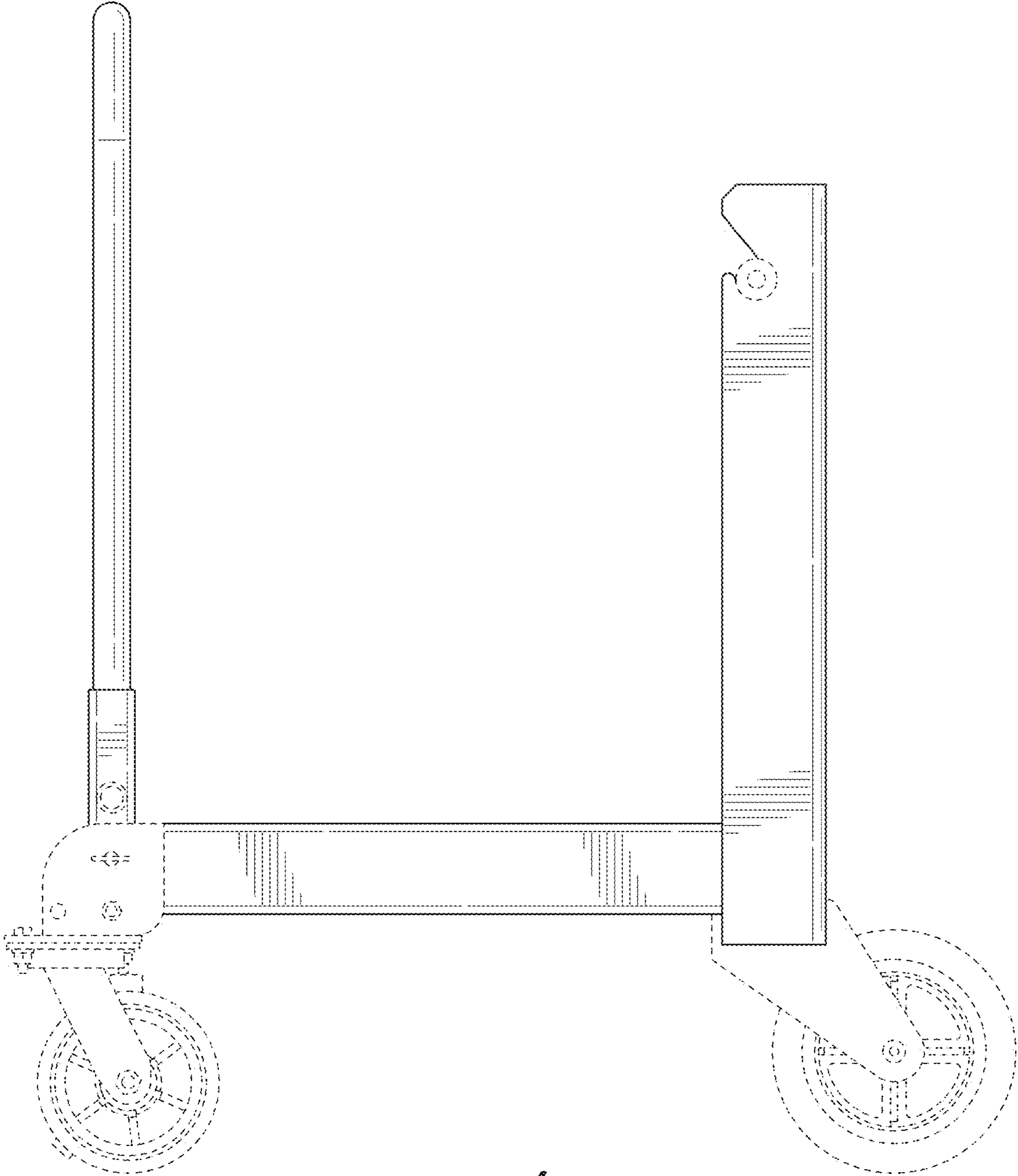


FIG. 6

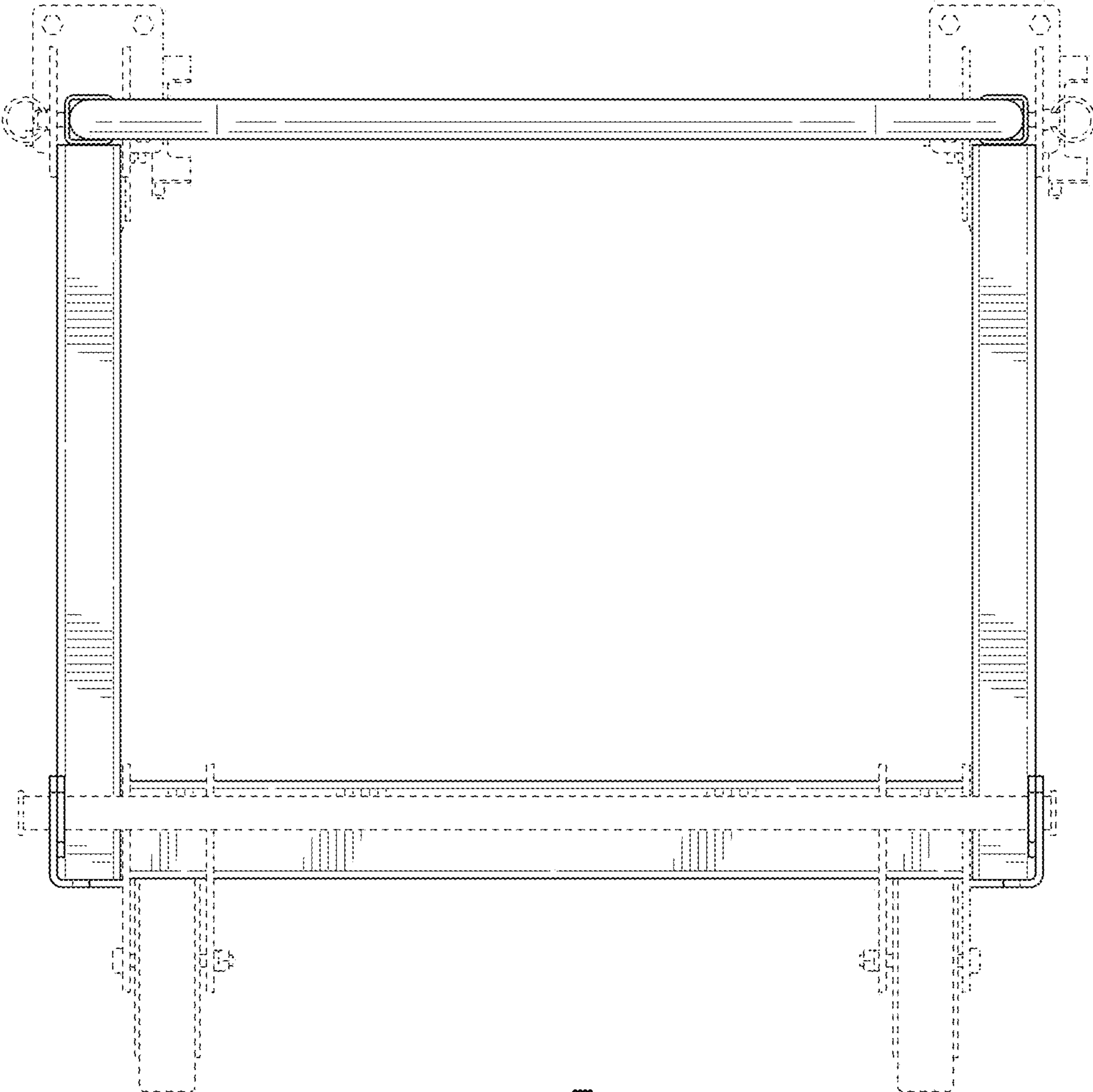


FIG. 7

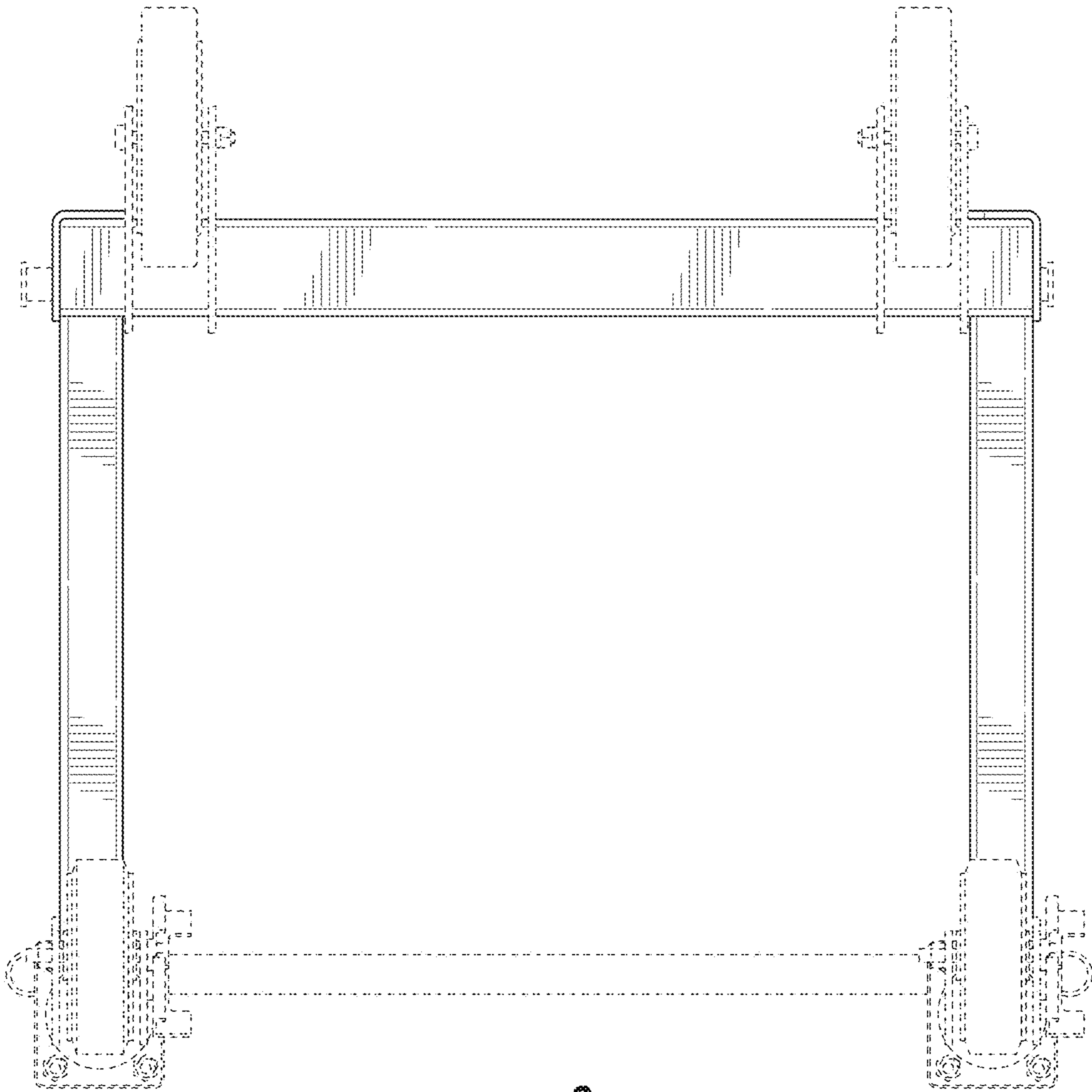


FIG. 8

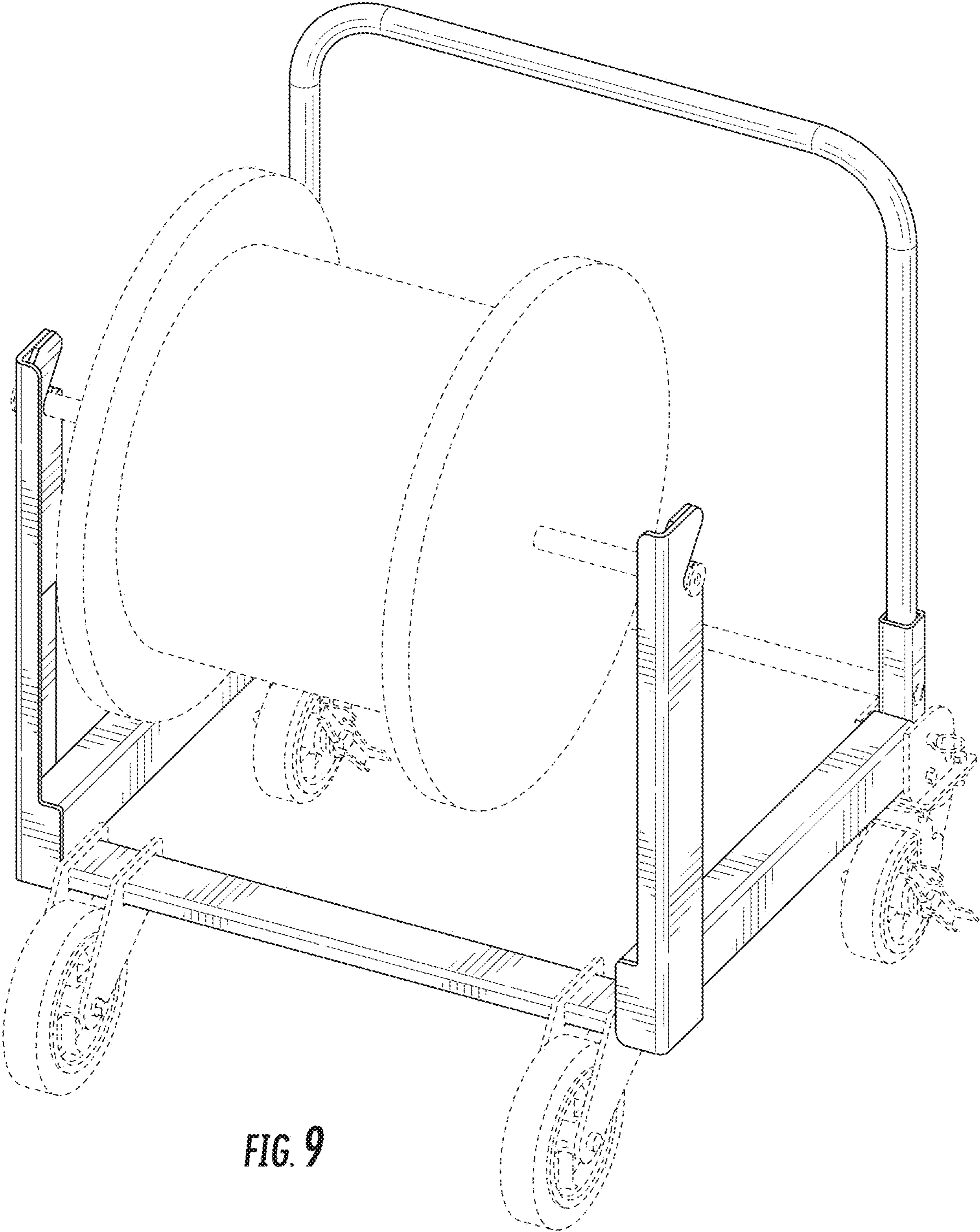


FIG. 9