



US00D981069S

(12) **United States Design Patent**
McCombs

(10) **Patent No.:** **US D981,069 S**
(45) **Date of Patent:** **** Mar. 14, 2023**

(54) **DUMPSTER BOOT DEVICE**

(71) Applicant: **George C. McCombs**, Jacksonville, FL (US)

(72) Inventor: **George C. McCombs**, Jacksonville, FL (US)

(**) Term: **15 Years**

(21) Appl. No.: **29/760,703**

(22) Filed: **Dec. 3, 2020**

(51) **LOC (14) Cl.** **09-09**

(52) **U.S. Cl.**
USPC **D34/10; D8/331**

(58) **Field of Classification Search**
USPC D34/1, 10, 11; D8/71, 338, 402, 403, D8/330, 331, 339, 340
CPC B65D 90/00; B65F 1/141; B65F 1/1607; B65F 1/06; B65F 1/1615; B65F 2001/1653; A47B 91/12; A47B 91/06; A47B 91/00
See application file for complete search history.

(56) **References Cited**

U.S. PATENT DOCUMENTS

D239,083 S *	3/1976	Mills	D8/402
4,996,855 A	3/1991	Havenga et al.		
D367,421 S *	2/1996	Powers	D8/402
D369,952 S *	5/1996	Shelton	D8/338
D372,190 S *	7/1996	Price	D8/402
8,888,422 B2	11/2014	Miller		
10,023,382 B2	7/2018	Hess		
D904,867 S *	12/2020	Cox	D8/402
D915,715 S *	4/2021	Berg	D34/10
D915,716 S *	4/2021	Berg	D34/10
D965,405 S *	10/2022	Duxbury	D8/71
2010/0111451 A1 *	5/2010	Noble	B65F 1/0006 383/72
2011/0316291 A1	12/2011	Loughlin et al.		
2017/0247185 A1 *	8/2017	Tullo	B65D 90/00
2022/0315327 A1 *	10/2022	Muis	B65F 1/1473

* cited by examiner

Primary Examiner — Cynthia Ramirez

(74) *Attorney, Agent, or Firm* — Allen, Dyer, Doppelt + Gilchrist, PA

(57) **CLAIM**

The ornamental design for a dumpster boot device, as shown and described.

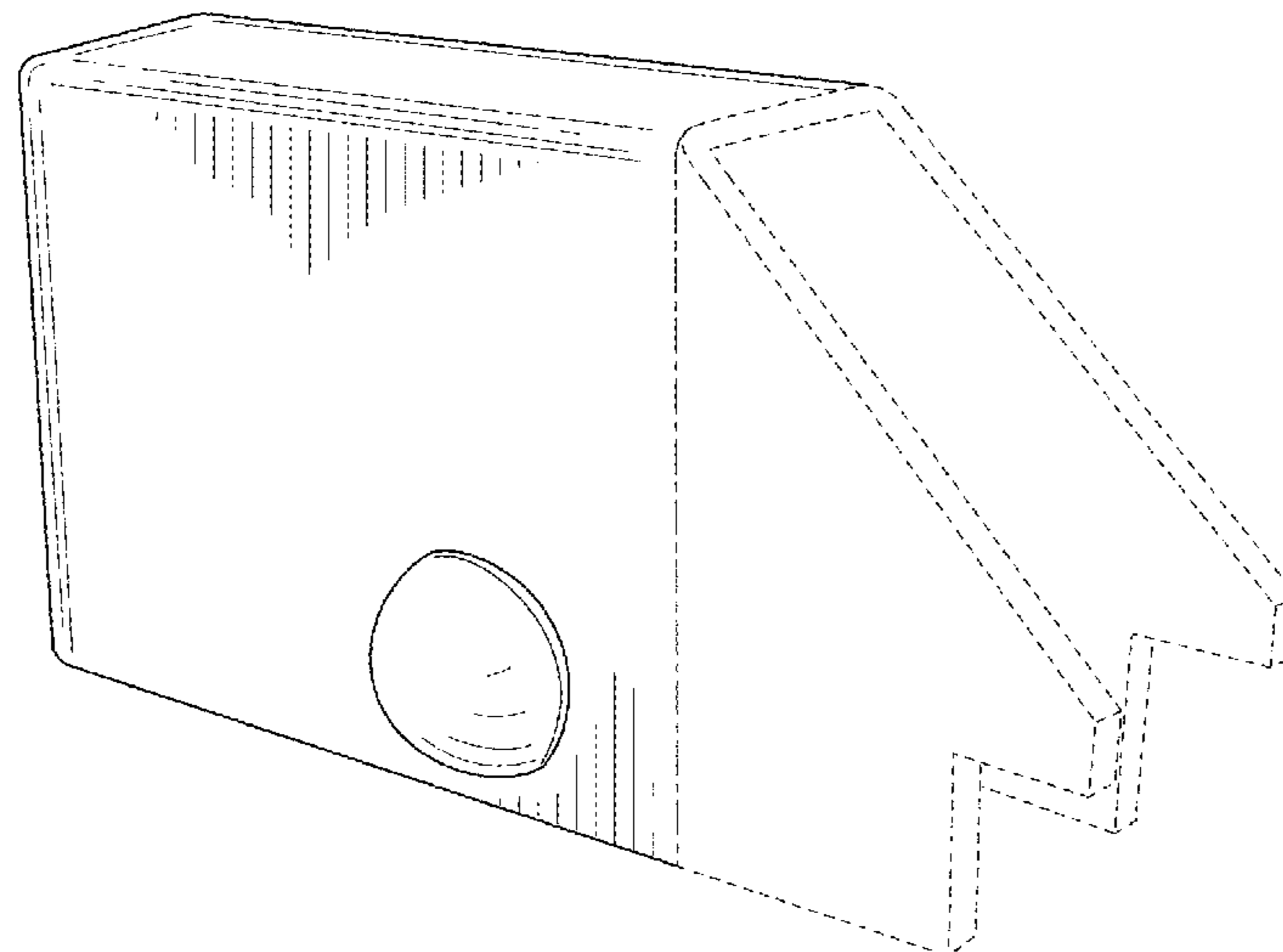
DESCRIPTION

FIG. 1 is a front perspective view of the dumpster boot device on a dumpster and with a lock;
 FIG. 2 is a rear perspective view of the dumpster boot device with the lock;
 FIG. 3 is a left side elevational view of the dumpster boot device with the lock;
 FIG. 4 is a right side elevational view of the dumpster boot device with the lock;
 FIG. 5 is a left side elevational view of the dumpster boot device without the lock;
 FIG. 6 is a right side elevational view of the dumpster boot device without the lock;
 FIG. 7 is a top plan view of the dumpster boot device with the lock;
 FIG. 8 is a bottom plan view of the dumpster boot device with the lock;
 FIG. 9 is a back elevational view of the dumpster boot device with the lock; and,
 FIG. 10 is a front elevational view of the dumpster boot device with the lock.

The dashed broken lines in the drawings show environment and form no part of the claimed design. The dash-dot broken lines in the drawings show the bounds of the claimed design and form no part thereof.

The dumpster boot device has been shown without the lock in FIGS. 5 and 6 to shown aspects of the design that are not visible when combined.

1 Claim, 6 Drawing Sheets



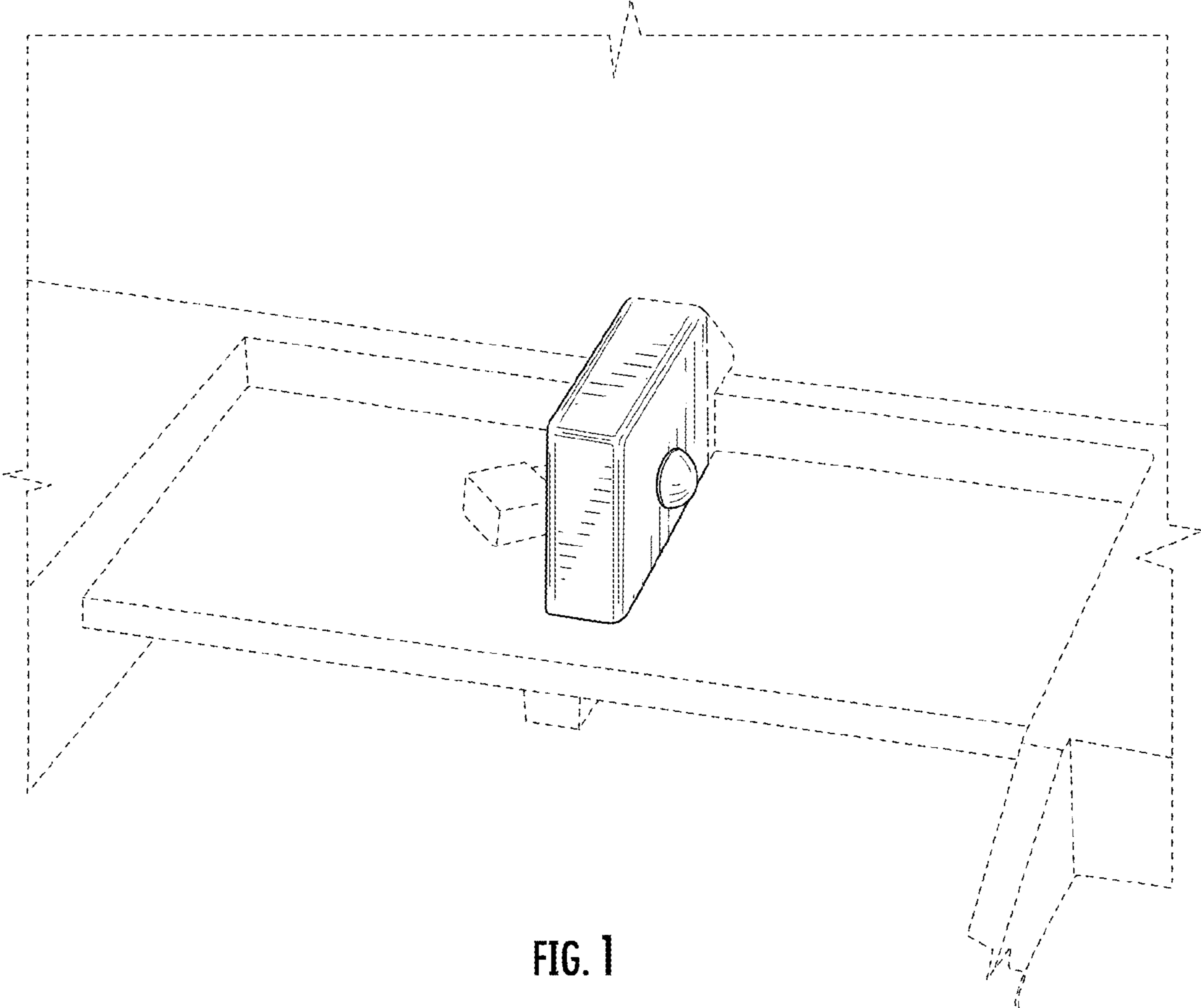


FIG. 1

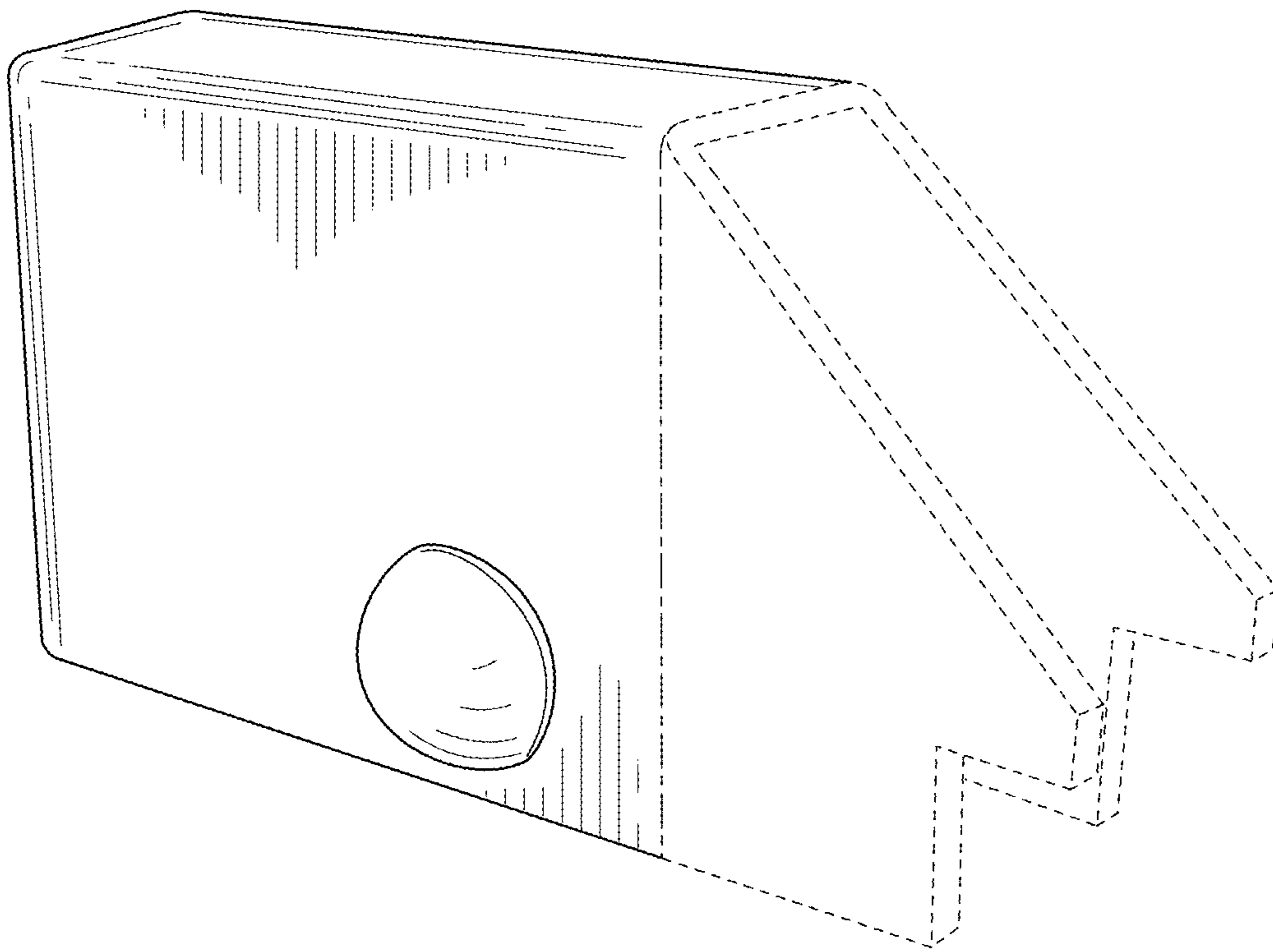


FIG. 2

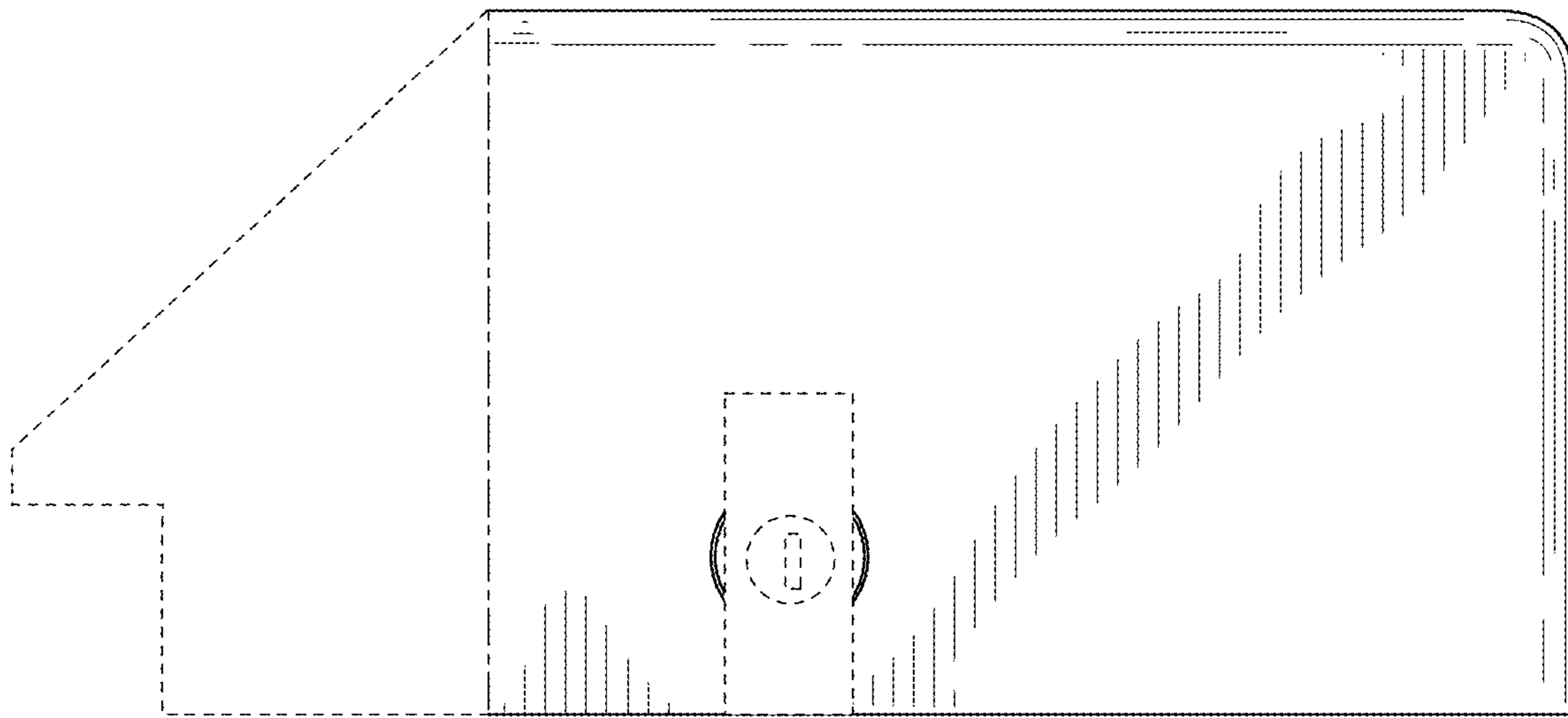


FIG. 3

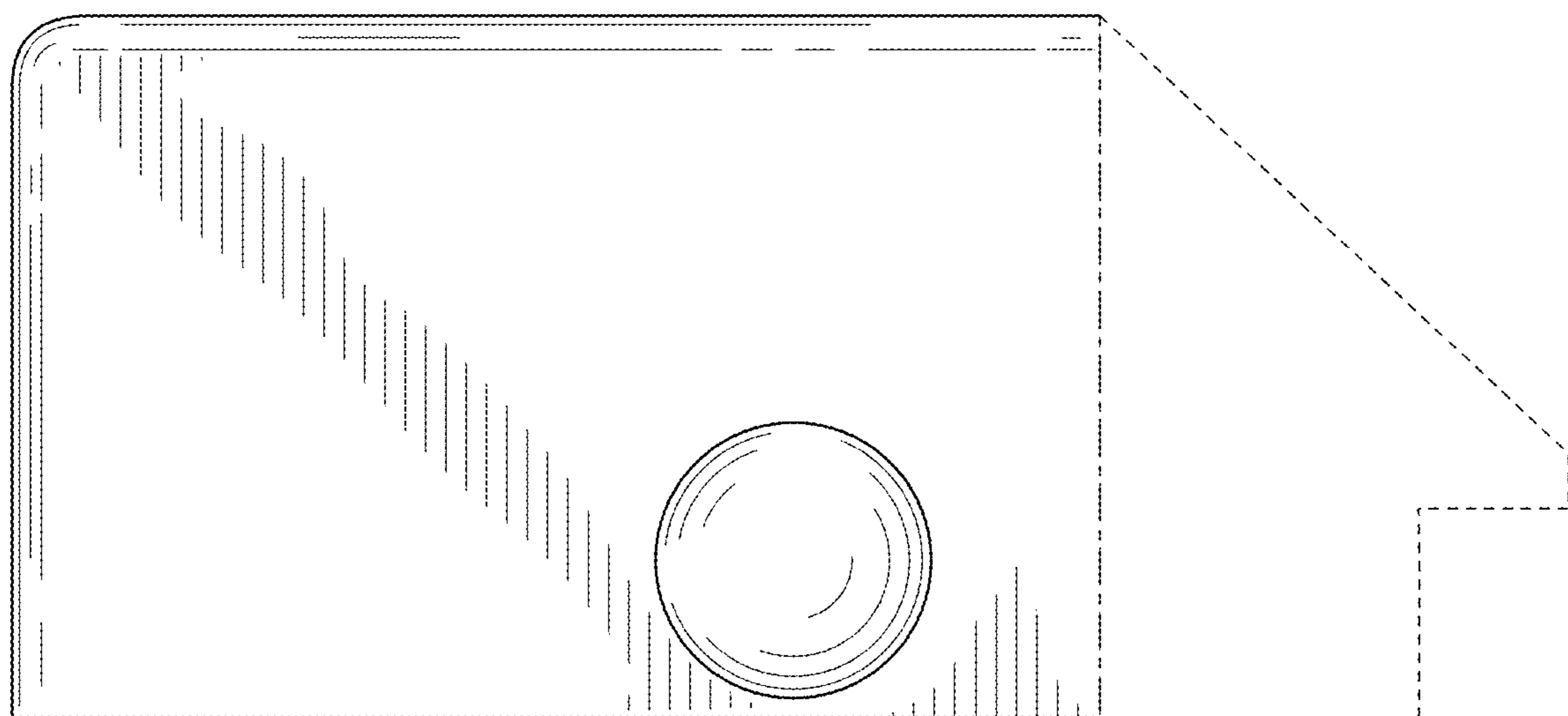


FIG. 4

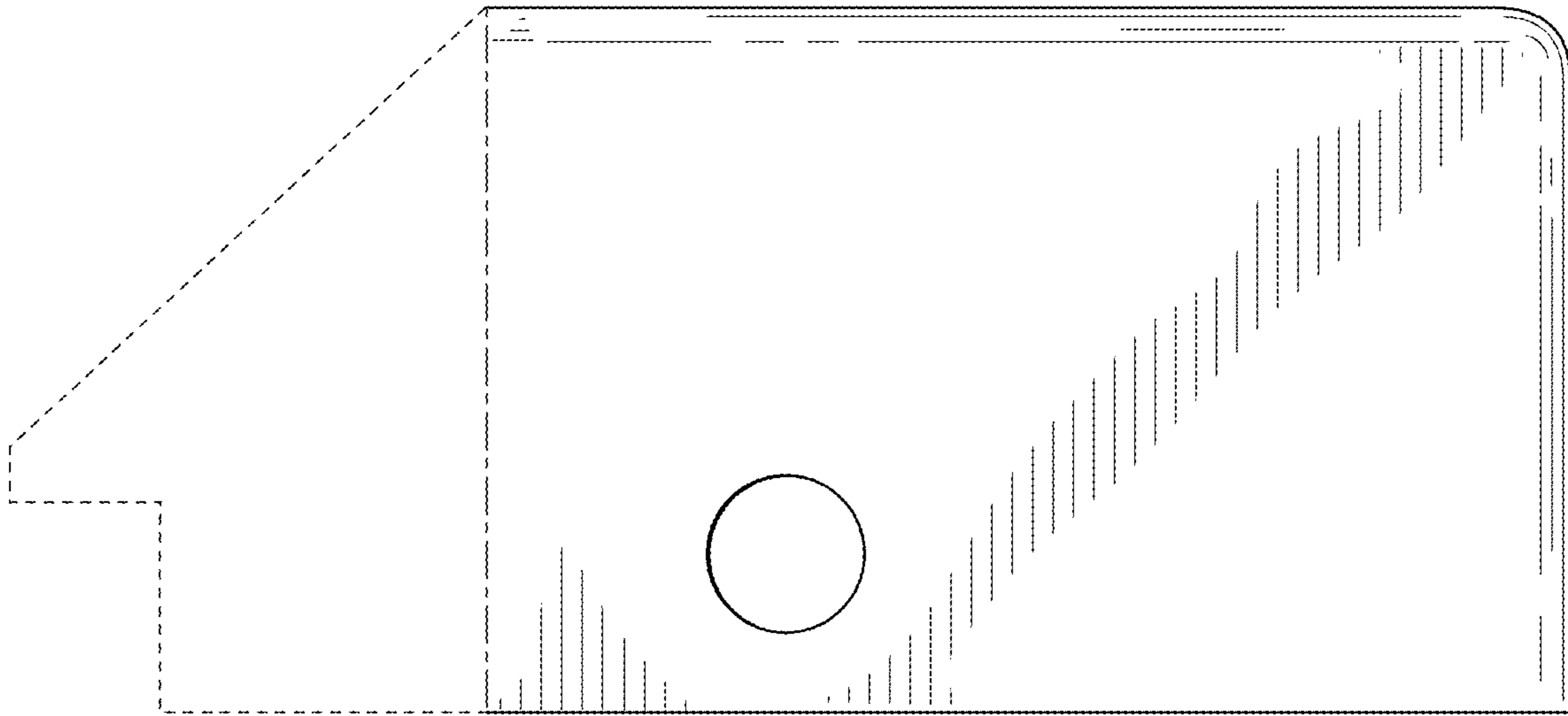


FIG. 5

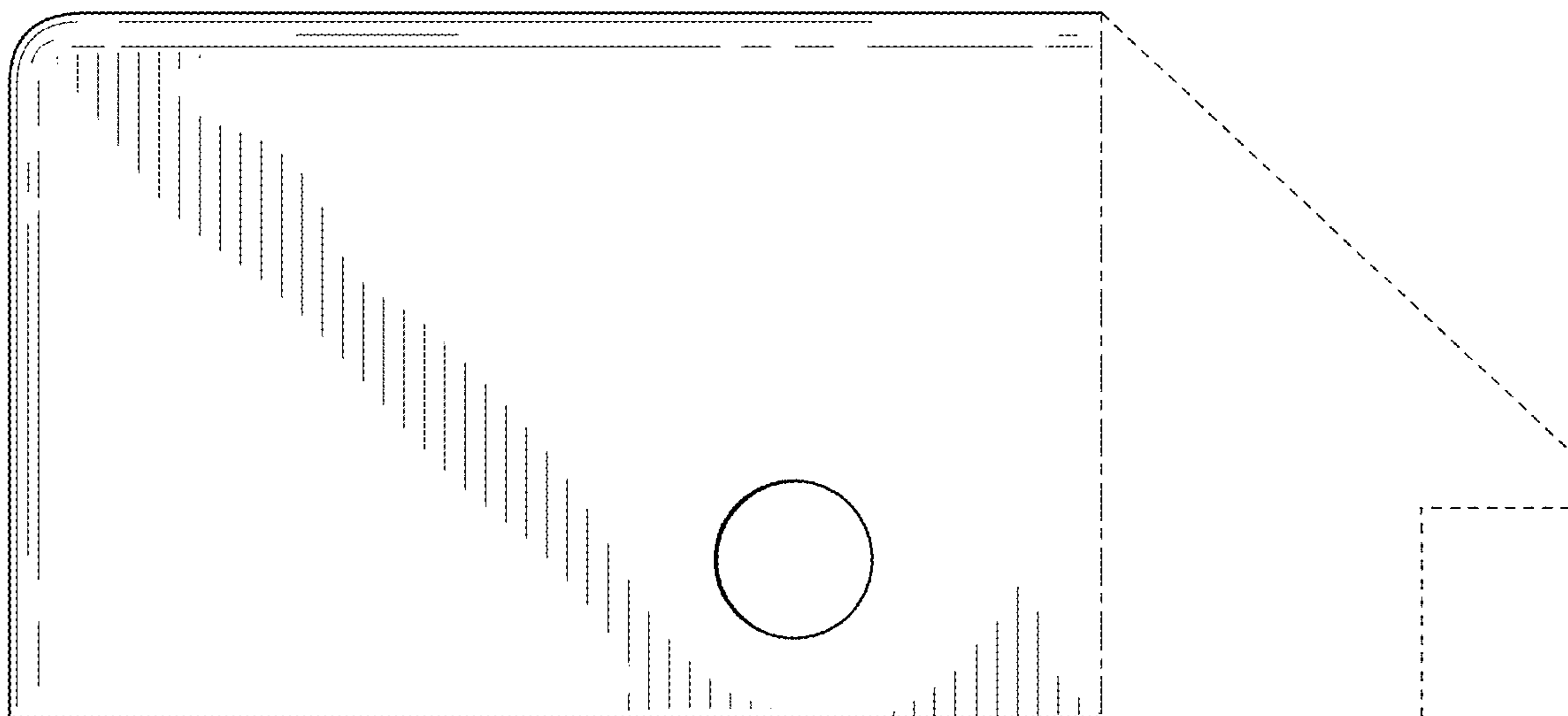


FIG. 6

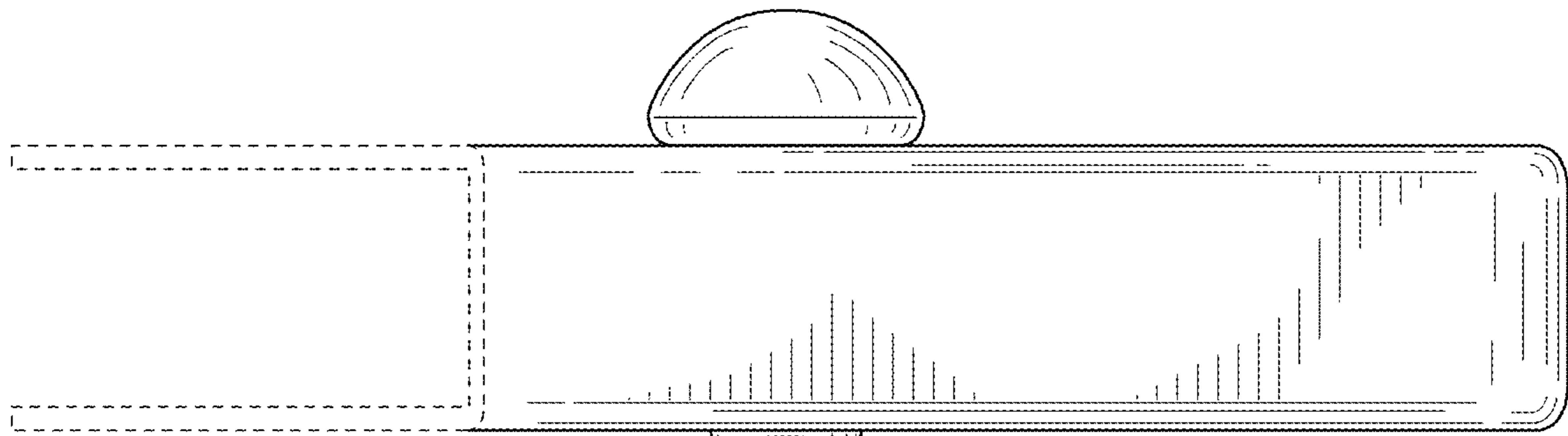


FIG. 7

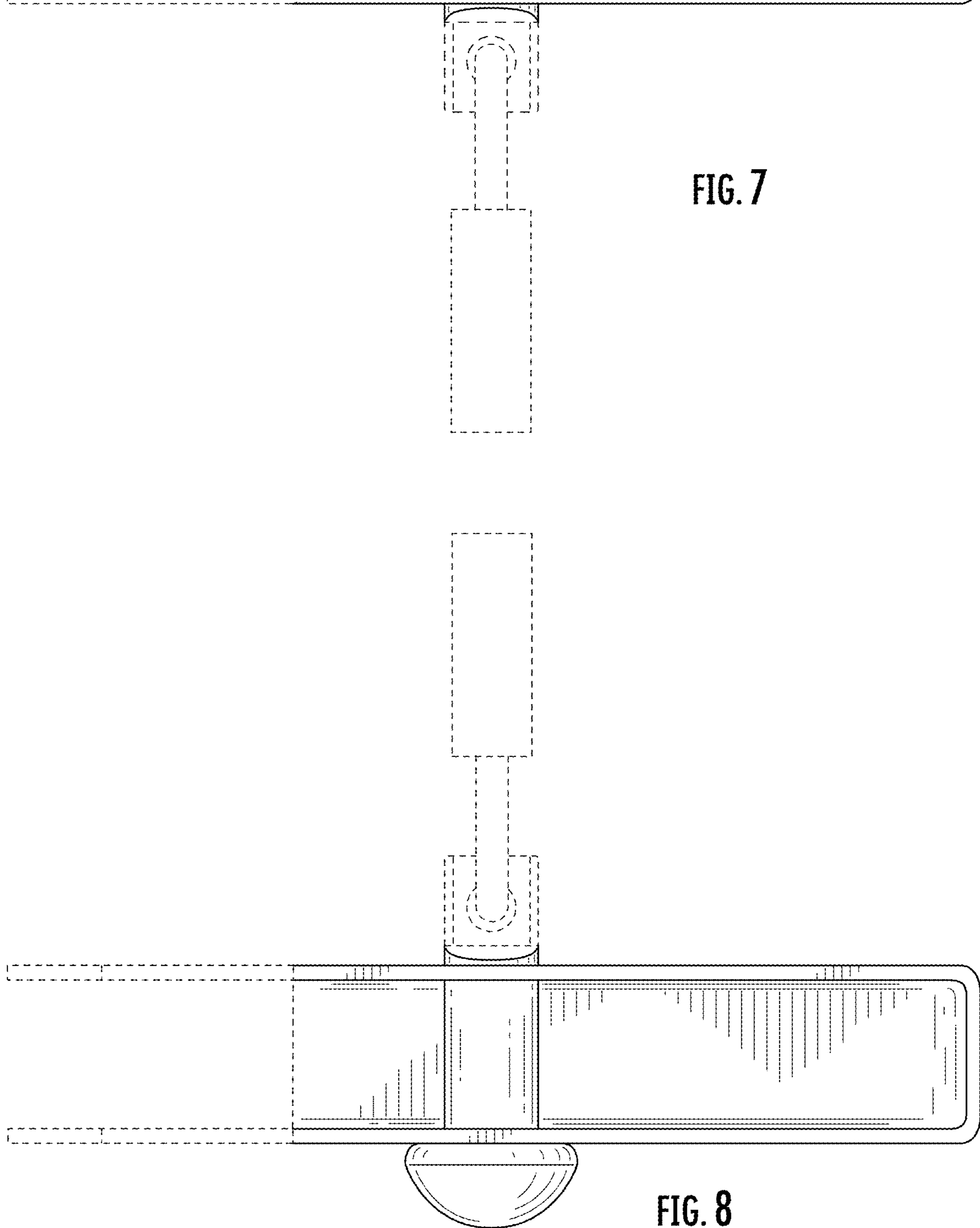


FIG. 8

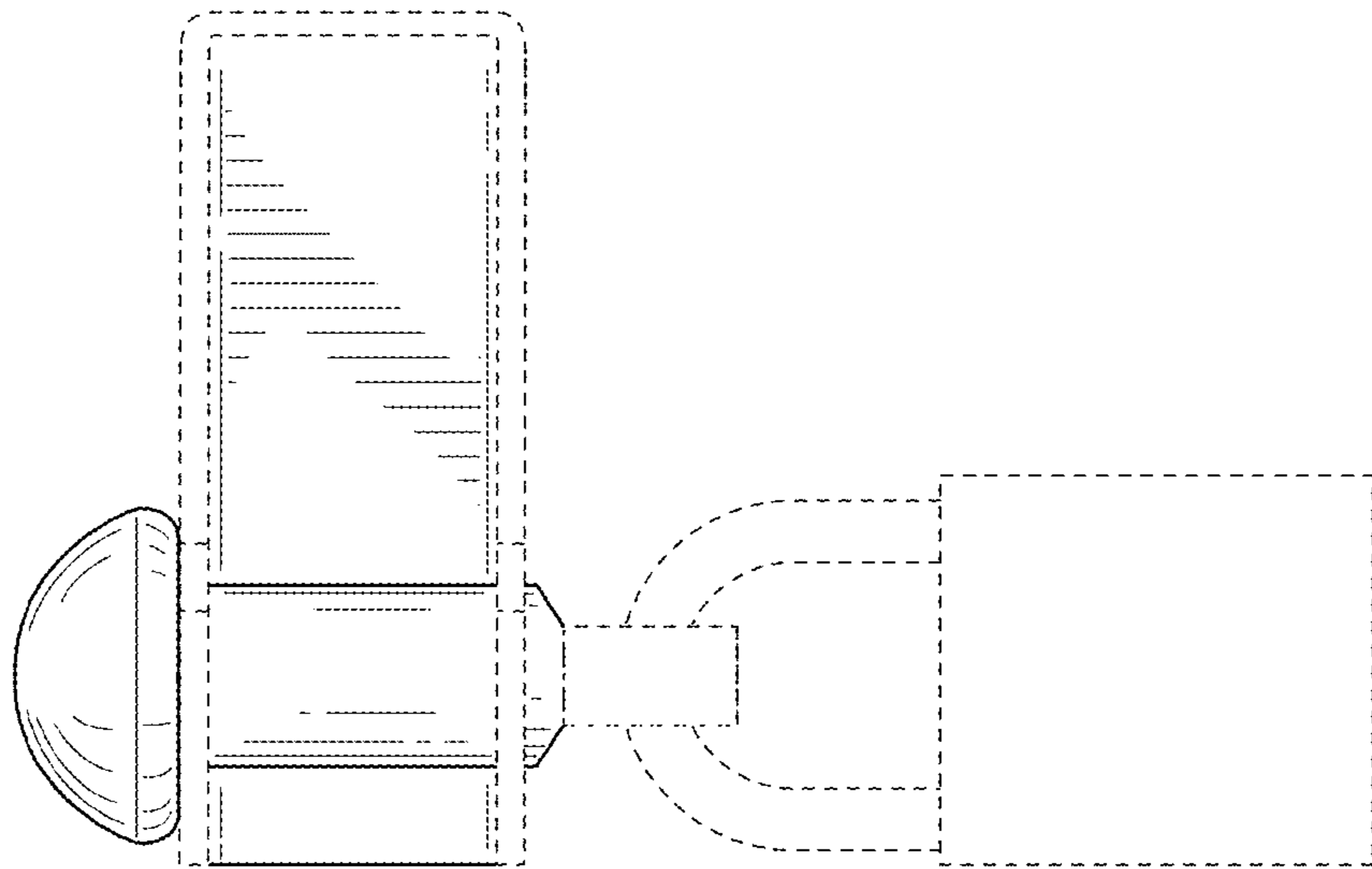


FIG. 9

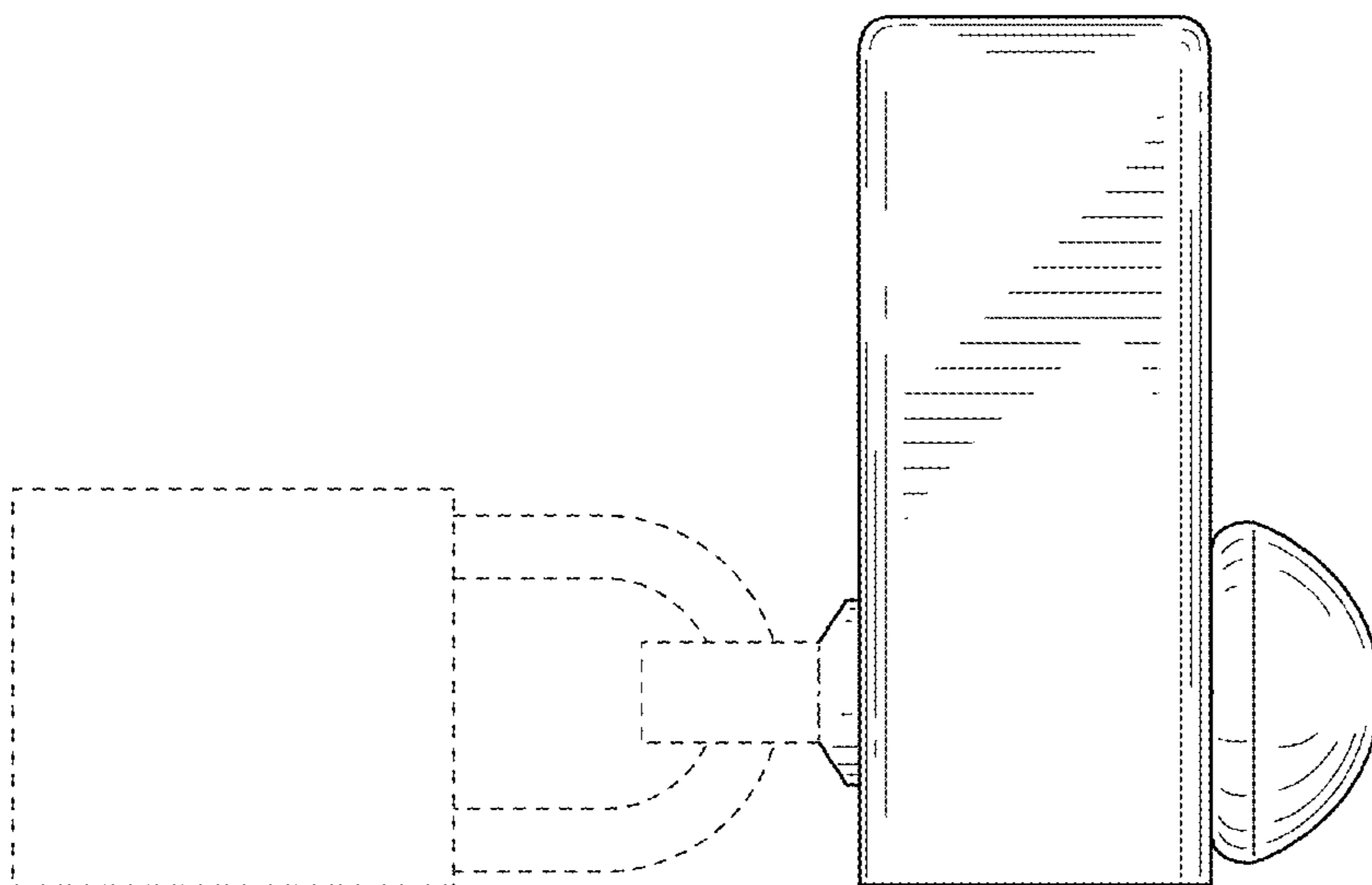


FIG. 10