



US00D981068S

(12) **United States Design Patent**  
**Liao**

(10) **Patent No.:** **US D981,068 S**  
(45) **Date of Patent:** **\*\* Mar. 14, 2023**

(54) **PEDAL BIN**

(71) Applicant: **Jiangmen Foreign Trade Group Co., Ltd.**, Guangdong (CN)

(72) Inventor: **Henry Liao**, Guangdong (CN)

(73) Assignee: **JIANGMEN FOREIGN TRADE GROUP CO., LTD.**, Guangdong (CN)

(\*\*) Term: **15 Years**

(21) Appl. No.: **29/786,744**

(22) Filed: **Jun. 2, 2021**

(51) **LOC (14) Cl.** ..... **09-09**

(52) **U.S. Cl.**  
USPC ..... **D34/9**

(58) **Field of Classification Search**  
USPC ..... D34/1-11  
CPC ..... B65F 1/00; B65F 1/163; B65F 1/1638;  
B65F 1/0033; B65F 2001/1489; Y10S  
220/908

See application file for complete search history.

(56) **References Cited**

**U.S. PATENT DOCUMENTS**

D447,611 S \* 9/2001 Lin ..... D34/9  
D485,957 S \* 1/2004 Brand ..... D34/9

D486,284 S \* 2/2004 Brand ..... D34/9  
D517,266 S \* 3/2006 Daams ..... D34/9  
D717,014 S \* 11/2014 Han ..... D34/9  
D775,447 S \* 12/2016 Stravitz ..... D34/9  
D872,407 S \* 1/2020 Ma ..... D34/7

\* cited by examiner

*Primary Examiner* — Cynthia Ramirez

*Assistant Examiner* — Tamara L Hahn

(74) *Attorney, Agent, or Firm* — Muncy, Geissler, Olds & Lowe, P.C.

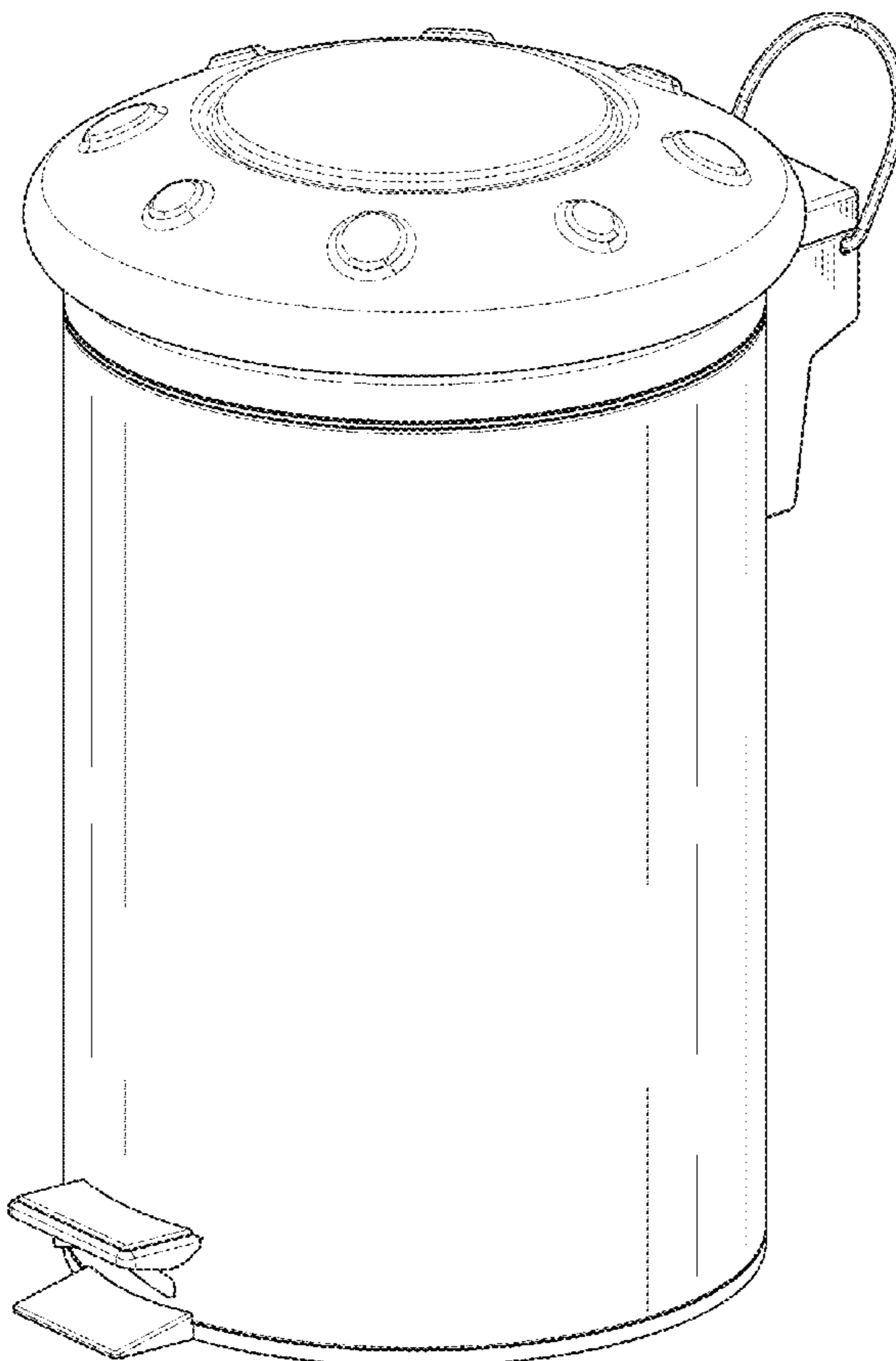
(57) **CLAIM**

The ornamental design for a pedal bin, as shown and described.

**DESCRIPTION**

FIG. 1 is a perspective view of a pedal bin showing my new design;  
FIG. 2 is a front plan view thereof;  
FIG. 3 is a rear plan view thereof;  
FIG. 4 is a top plan view thereof;  
FIG. 5 is a bottom side plan view thereof;  
FIG. 6 is a left side plan view thereof; and,  
FIG. 7 is a right side plan view thereof.

**1 Claim, 7 Drawing Sheets**



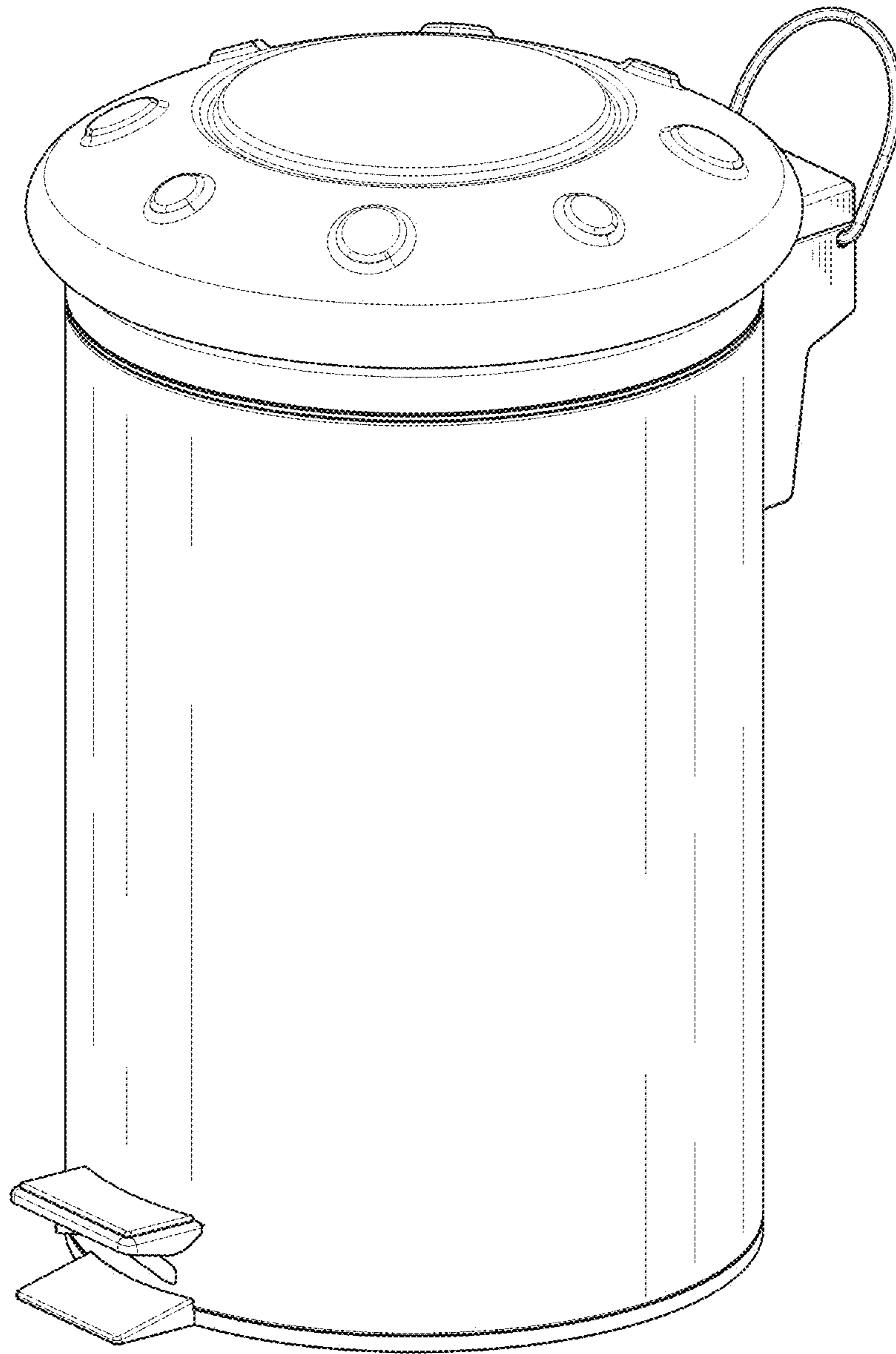


FIGURE 1

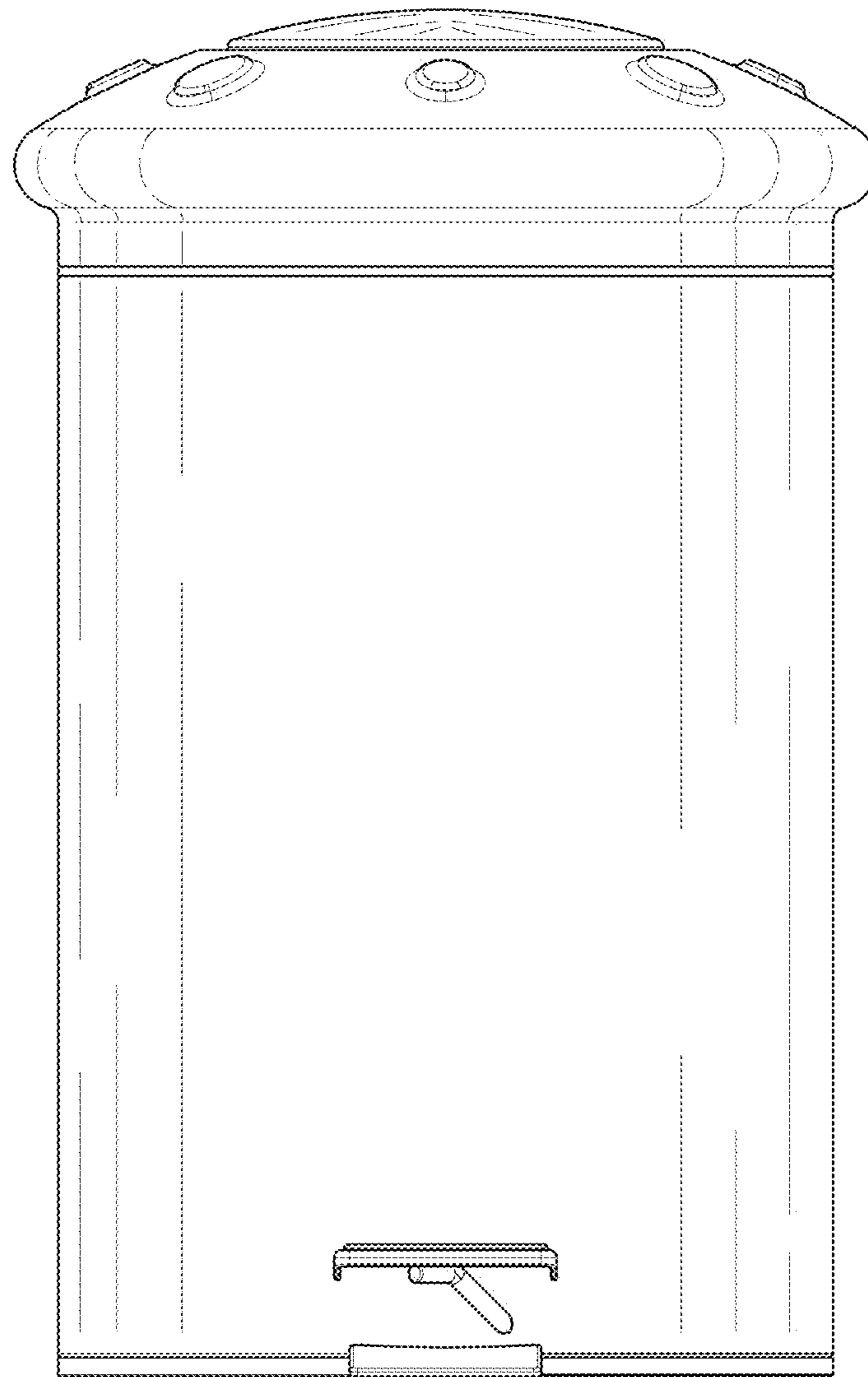


FIGURE 2

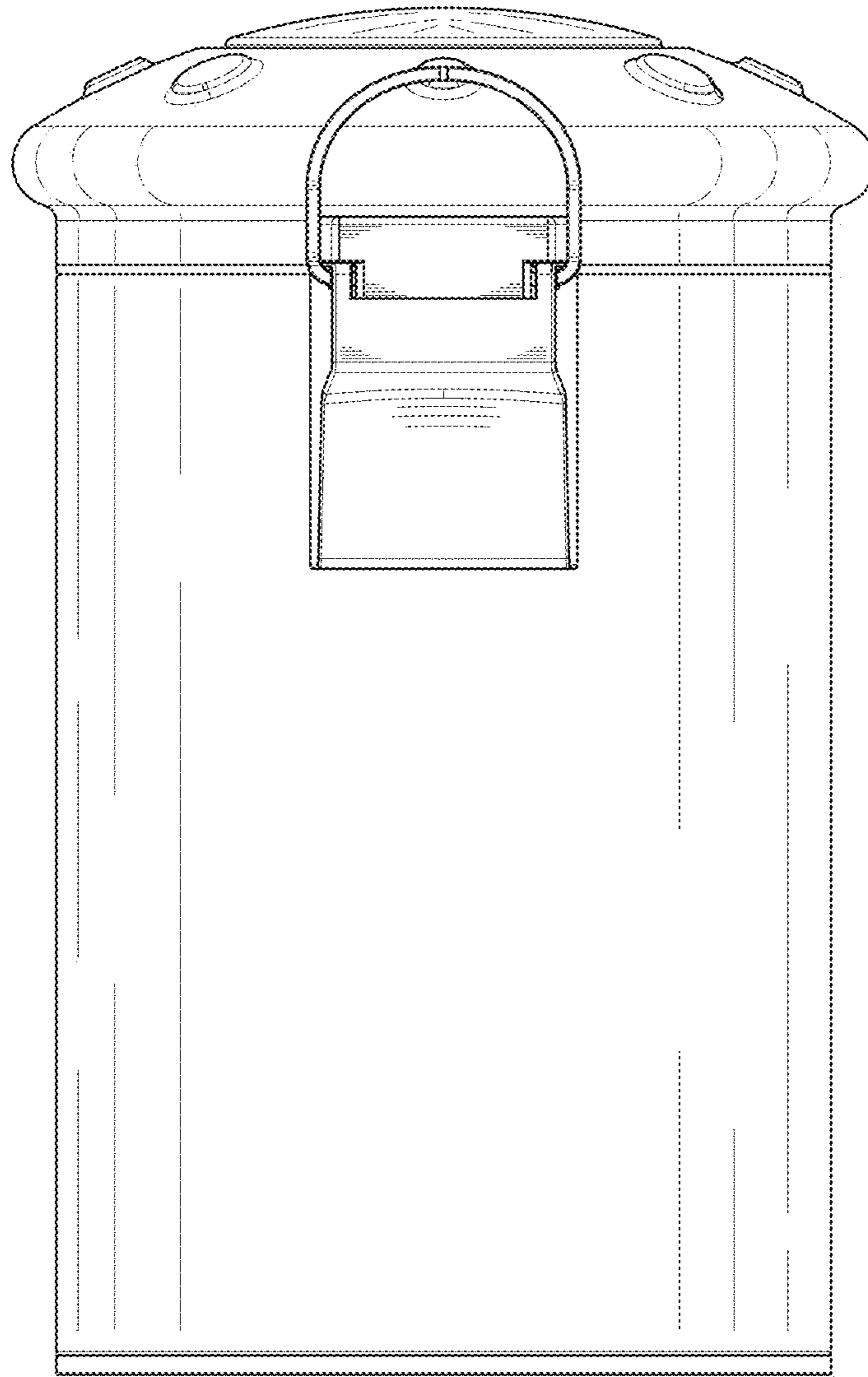


FIGURE 3

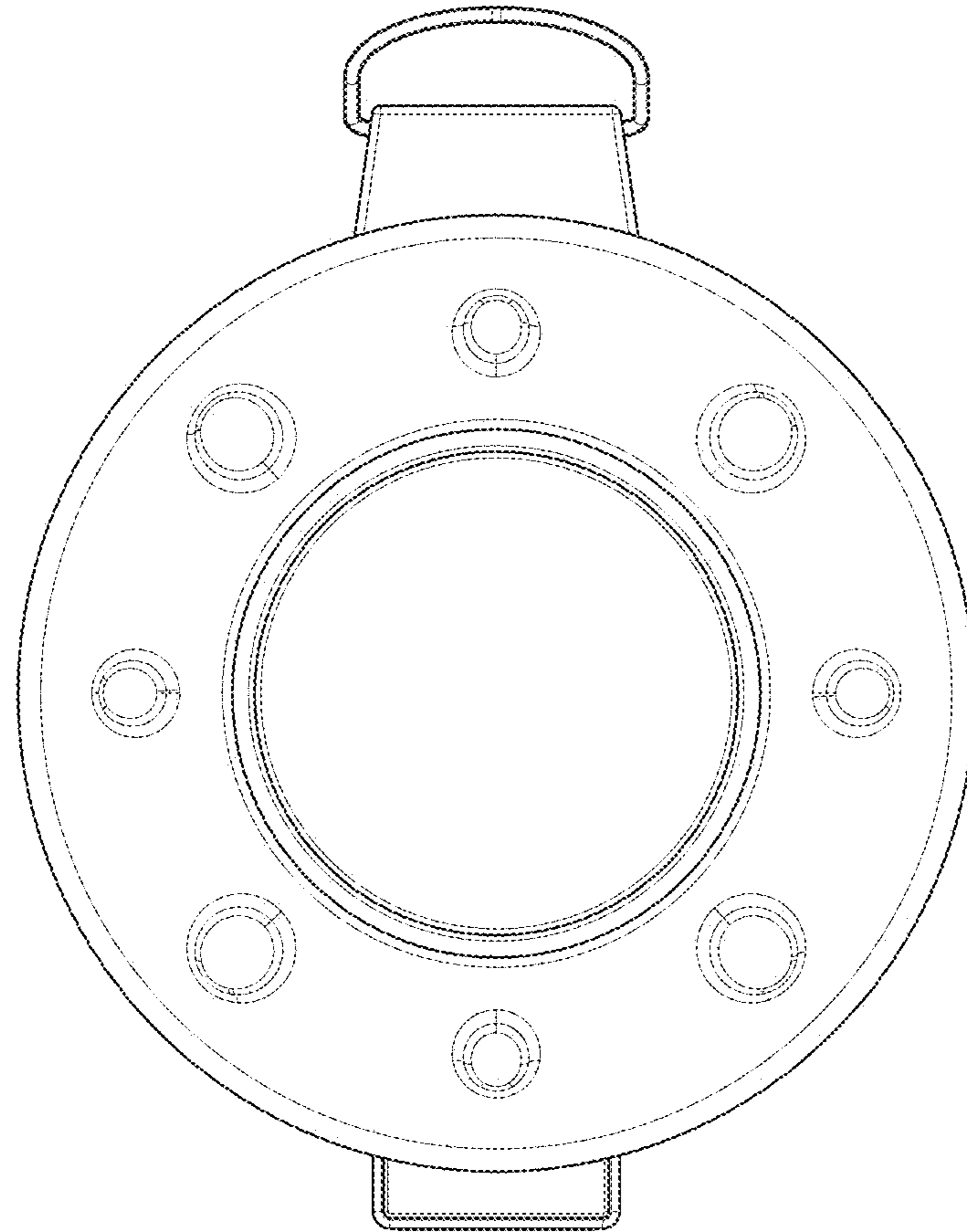


FIGURE 4

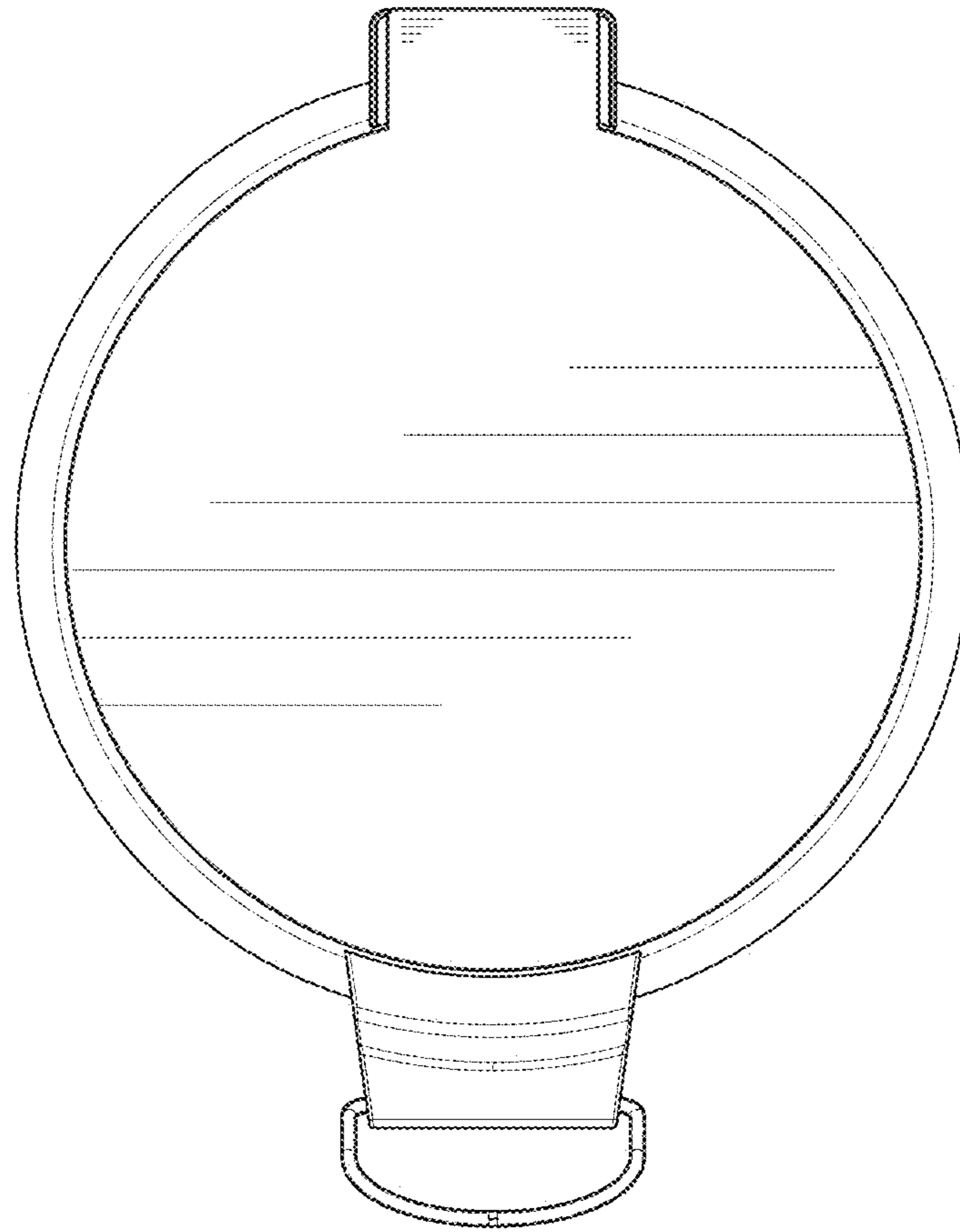


FIGURE 5



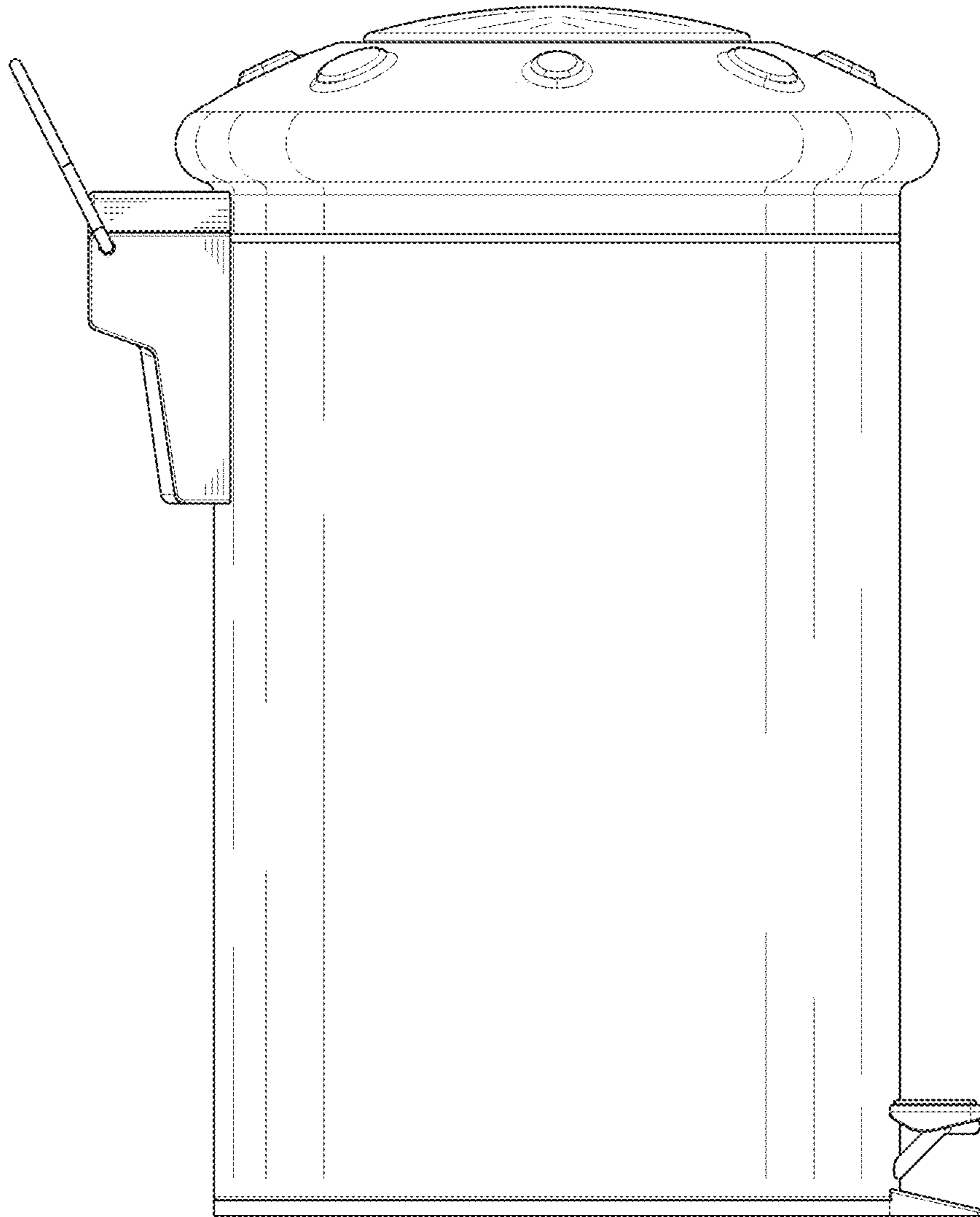


FIGURE 6

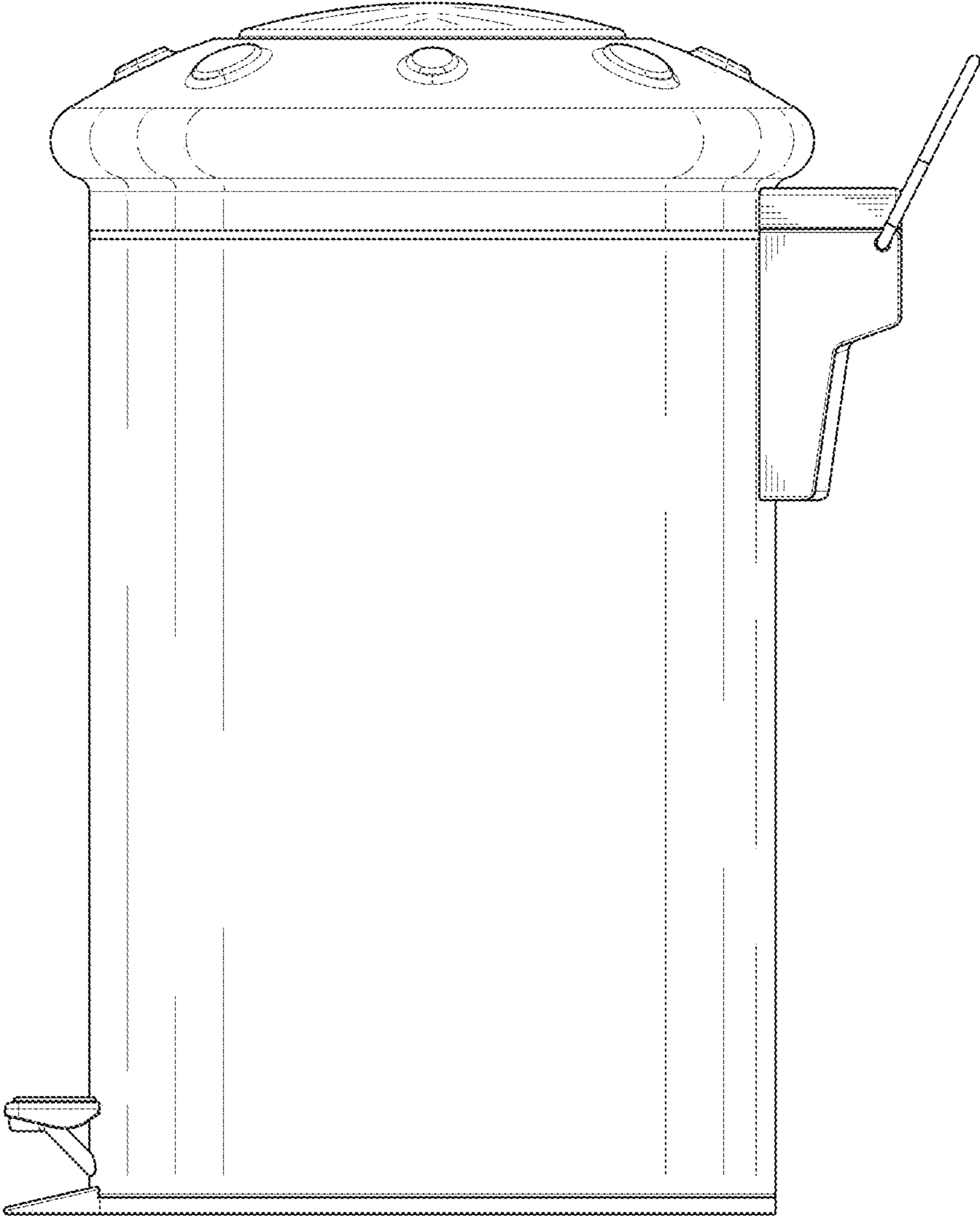


FIGURE 7