



US00D981066S

(12) **United States Design Patent**
Conti

(10) **Patent No.:** **US D981,066 S**

(45) **Date of Patent:** **** Mar. 14, 2023**

(54) **BASE FOR A VAGINAL DEVICE**

D454,376 S * 3/2002 Bezael D21/398
D477,997 S 8/2003 Hakansson
D544,670 S * 6/2007 Sorvill D32/58

(Continued)

(71) Applicant: **Watkins-Conti Products, Inc.**,
Edmond, OK (US)

(72) Inventor: **Allison Conti**, Edmond, OK (US)

OTHER PUBLICATIONS

Facebook, "My Cup Case", Photo posted Nov. 28, 2019. (<https://www.facebook.com/My-Cup-Case-101136537911878/photos/153976855961179>) (Year: 2019).

(Continued)

(**) Term: **15 Years**

Primary Examiner — Austin Murphy

(21) Appl. No.: **29/715,167**

(74) *Attorney, Agent, or Firm* — Michele V. Frank;
Venable LLP

(22) Filed: **Nov. 27, 2019**

(51) **LOC (14) Cl.** **07-05**

(52) **U.S. Cl.**
USPC **D32/58**

(57) **CLAIM**

The ornamental design for a base for a vaginal device, as shown and described.

(58) **Field of Classification Search**

DESCRIPTION

USPC D14/356, 432-434, 453, 454, 511, 203.8,
D14/209.1, 238.1, 240, 125, 435.1;
439/638, 928, 105, 502; 710/303, 304,
710/305; 361/679.41, 679.55, 679.56;
D13/110, 133, 146, 108; D32/58
CPC G06K 19/005; G06K 19/07732; H05K
5/0278; G09F 23/10

See application file for complete search history.

FIG. 1 is an upper perspective view of an opaque version of a base for a vaginal device in accordance with the new design.

FIG. 2 is a front elevational view thereof.

FIG. 3 is a right side elevational view thereof.

FIG. 4 is a rear elevational view thereof.

FIG. 5 is a left side elevational view thereof.

FIG. 6 is a top plan view thereof.

FIG. 7 is a bottom plan view thereof.

FIG. 8 is an upper perspective view of a transparent or translucent version of a base for a vaginal device in accordance with the new design.

FIG. 9 is a front elevational view thereof.

FIG. 10 is a right side elevational view thereof.

FIG. 11 is a rear elevational view thereof.

FIG. 12 is a left side elevational view thereof.

FIG. 13 is a top plan view thereof; and,

FIG. 14 is a bottom plan view thereof.

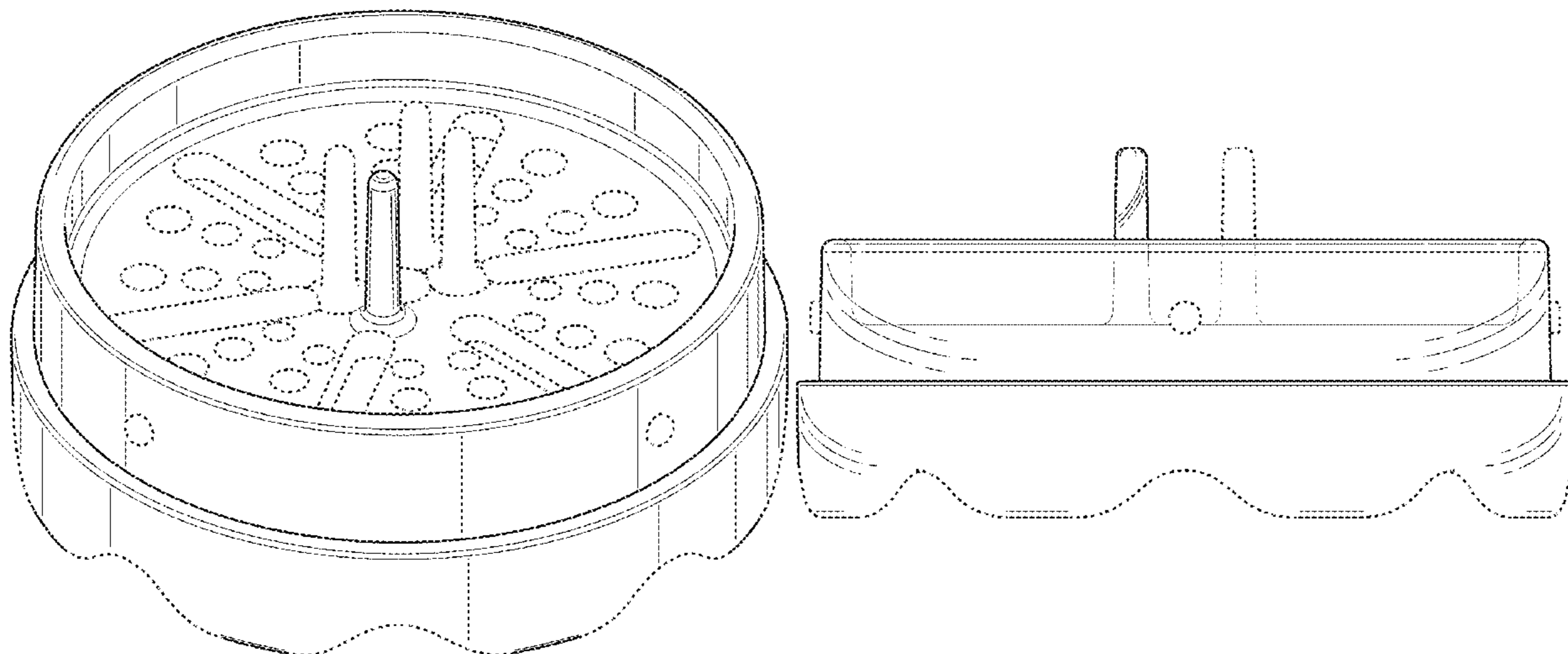
The broken lines in FIGS. 1-14 illustrate portions of the base for a vaginal device that form no part of the claimed design.

(56) **References Cited**

U.S. PATENT DOCUMENTS

D292,528 S * 10/1987 Weissenburger D24/224
D309,075 S 7/1990 Rossari
D319,875 S * 9/1991 Lackey D24/217
D338,317 S * 8/1993 Woodward D99/28
5,447,239 A * 9/1995 Tubbs, Jr. B03B 5/74
209/451
D378,016 S 2/1997 Armbruster et al.
D378,057 S 2/1997 Dikowitz
D400,931 S 11/1998 Kershner
D452,373 S 12/2001 Horntrich

1 Claim, 10 Drawing Sheets



(56)

References Cited

U.S. PATENT DOCUMENTS

D594,132 S * 6/2009 Cheetham D24/224
 D632,173 S * 2/2011 Makita D9/438
 D643,209 S 8/2011 Rein
 D657,876 S * 4/2012 Peuker D24/176
 D658,763 S * 5/2012 Peuker D24/176
 D666,086 S * 8/2012 Mundhra D8/499
 D677,973 S * 3/2013 Smallegan D7/354
 D728,216 S 5/2015 Click
 D732,822 S 6/2015 Griffin et al.
 D736,574 S * 8/2015 Freeman D7/667
 D750,935 S * 3/2016 Cook D7/400
 D761,022 S 7/2016 Wang
 D788,577 S * 6/2017 Schaudé D9/416
 D794,944 S 8/2017 Martin
 D804,319 S * 12/2017 Galekovic D9/553
 D809,346 S * 2/2018 Rigbi D7/591
 D815,918 S * 4/2018 Rigbi D7/591
 D817,696 S * 5/2018 Mirchandani D7/354
 D817,719 S * 5/2018 Rigbi D7/591
 D830,111 S * 10/2018 Mirchandani D7/354
 D840,223 S * 2/2019 Marina D9/437

D844,233 S * 3/2019 Yamada D27/167
 D865,362 S 11/2019 Schafer et al.
 D876,818 S 3/2020 Lieberman et al.
 D898,742 S * 10/2020 Kay D14/432
 D907,488 S * 1/2021 Balitzkat D9/438
 D911,701 S 3/2021 Bestel
 D925,977 S * 7/2021 Lee D7/400
 D930,186 S 9/2021 Kim
 D933,352 S 10/2021 Bloch et al.
 D942,691 S 2/2022 Jiao
 D945,145 S 3/2022 Hilsabeck
 2022/0031898 A1 2/2022 Lequay et al.

OTHER PUBLICATIONS

Amazon, "Collapsible Silicone Foldable Sterilizing Cup Set . . .",
 First on sale Dec. 9, 2017. (https://www.amazon.com/Collapsible-Silicone-Sterilizing-Menstrual-Hiking-Eco/dp/B0782H_RY9G?th=1) (Year: 2019).
 Office Action from U.S. Appl. No. 29/175,168 dated May 2, 2022.
 Notice of Allowance from U.S. Appl. No. 29/715,168 dated Aug. 17, 2022.

* cited by examiner

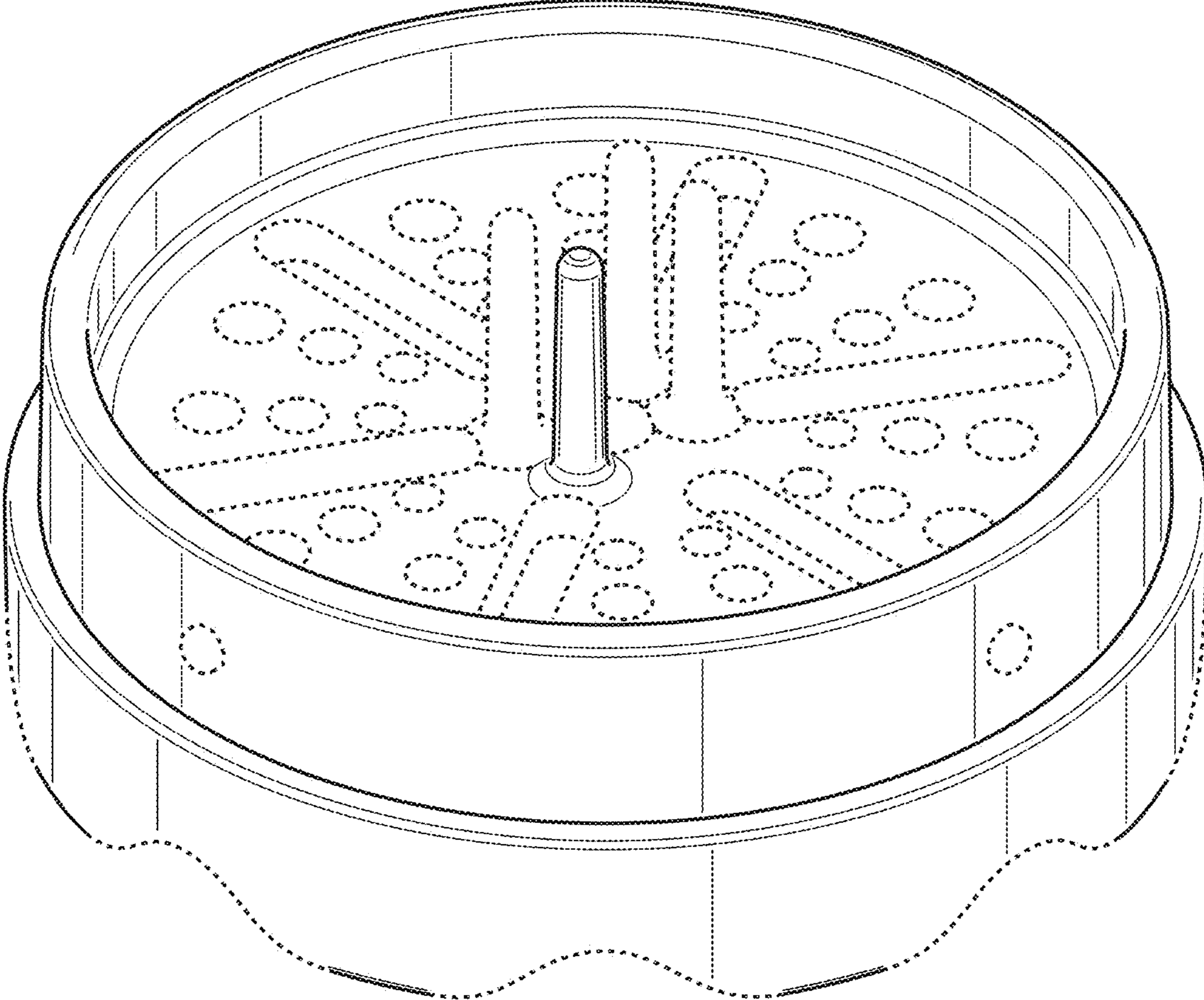


FIG. 1

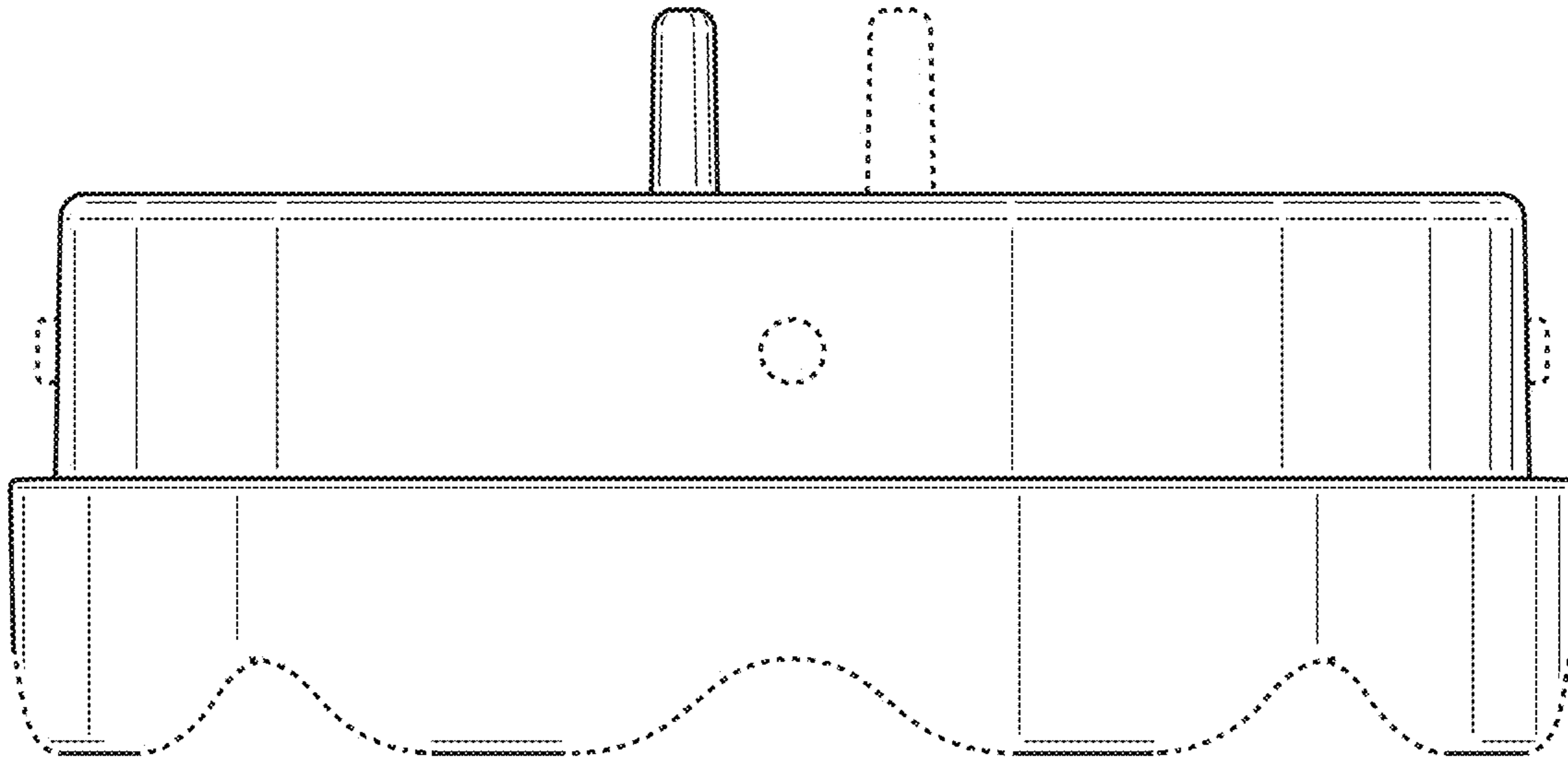


FIG. 2

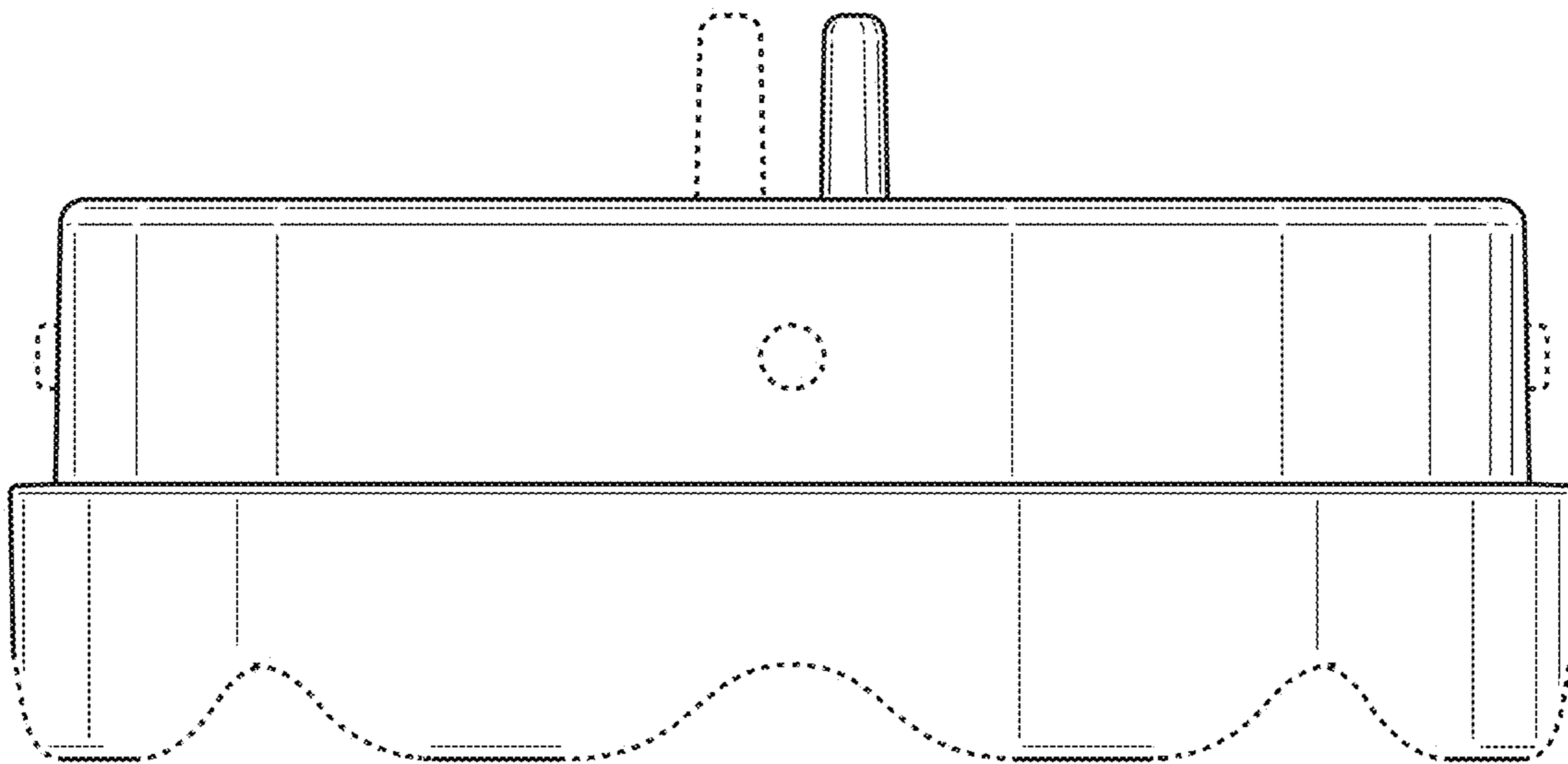


FIG. 3

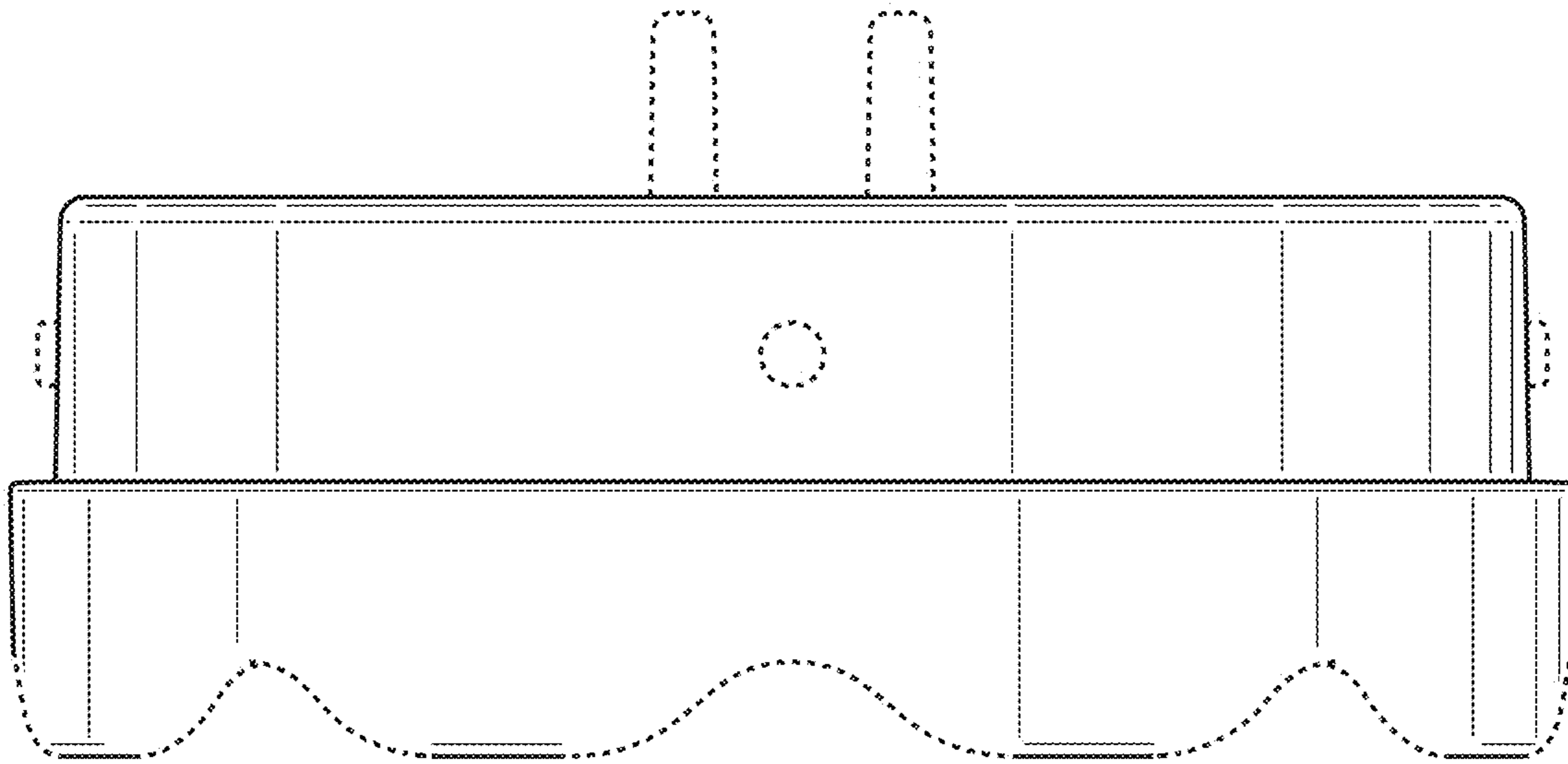


FIG. 4

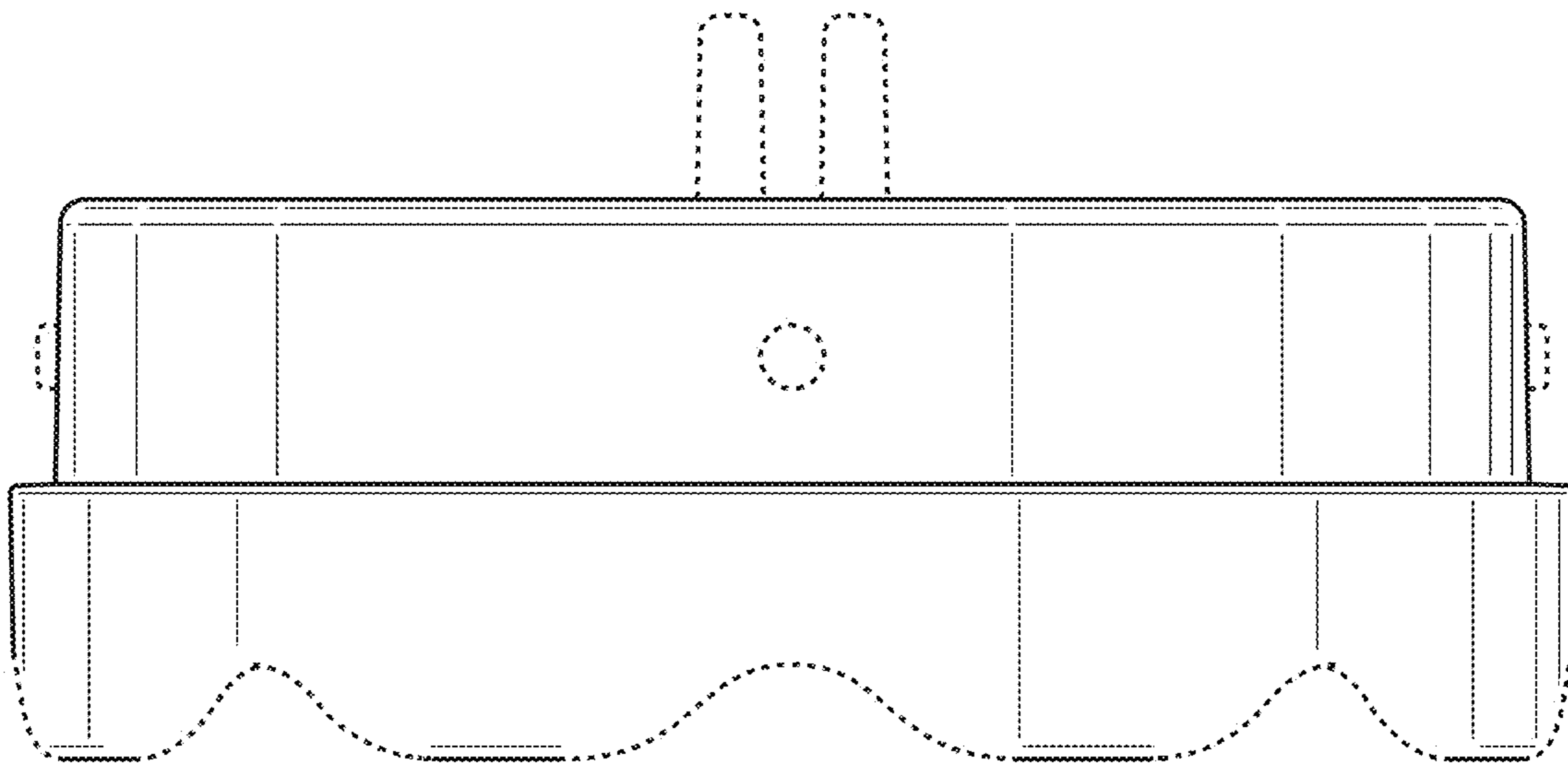


FIG. 5

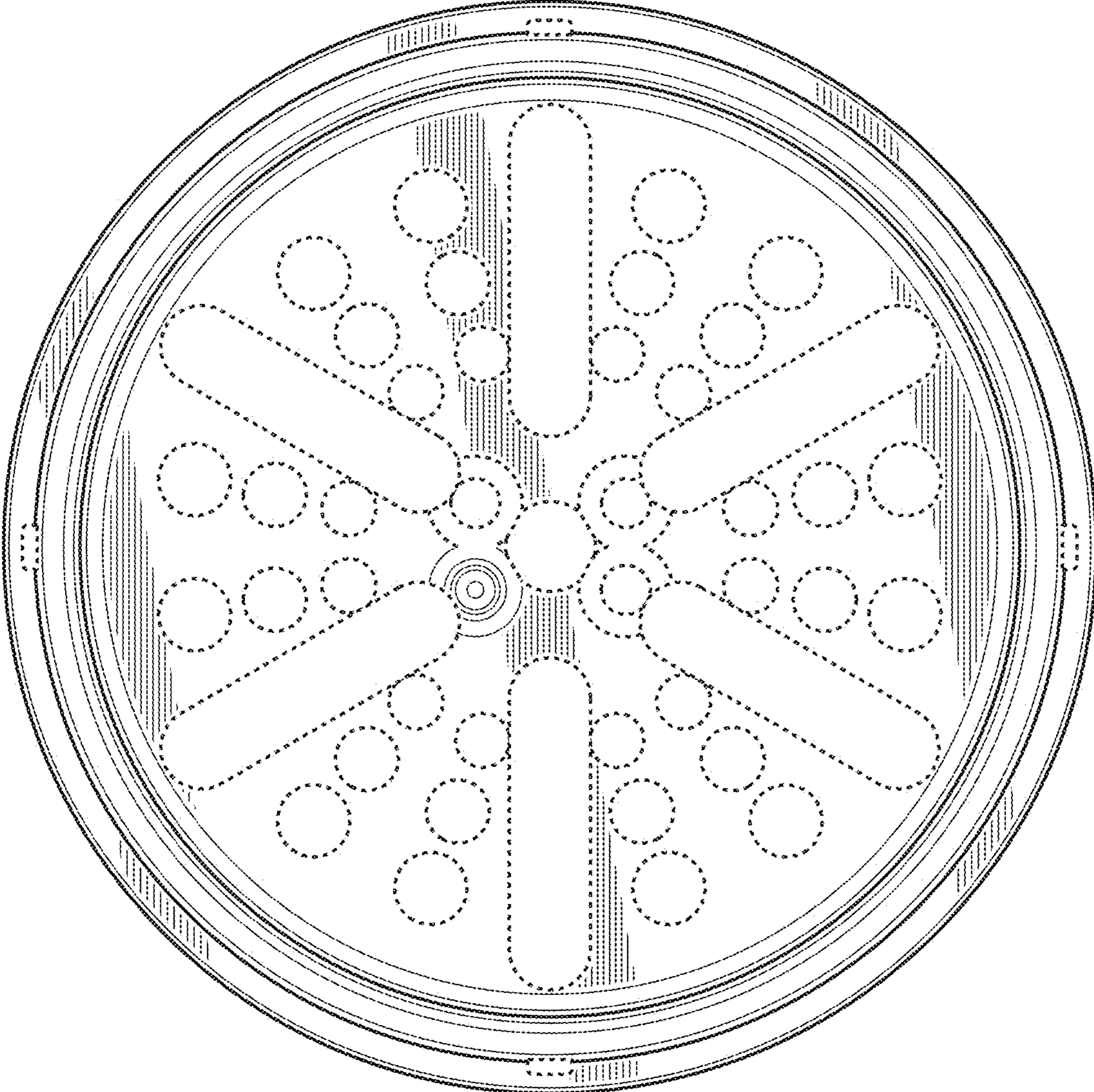


FIG. 6

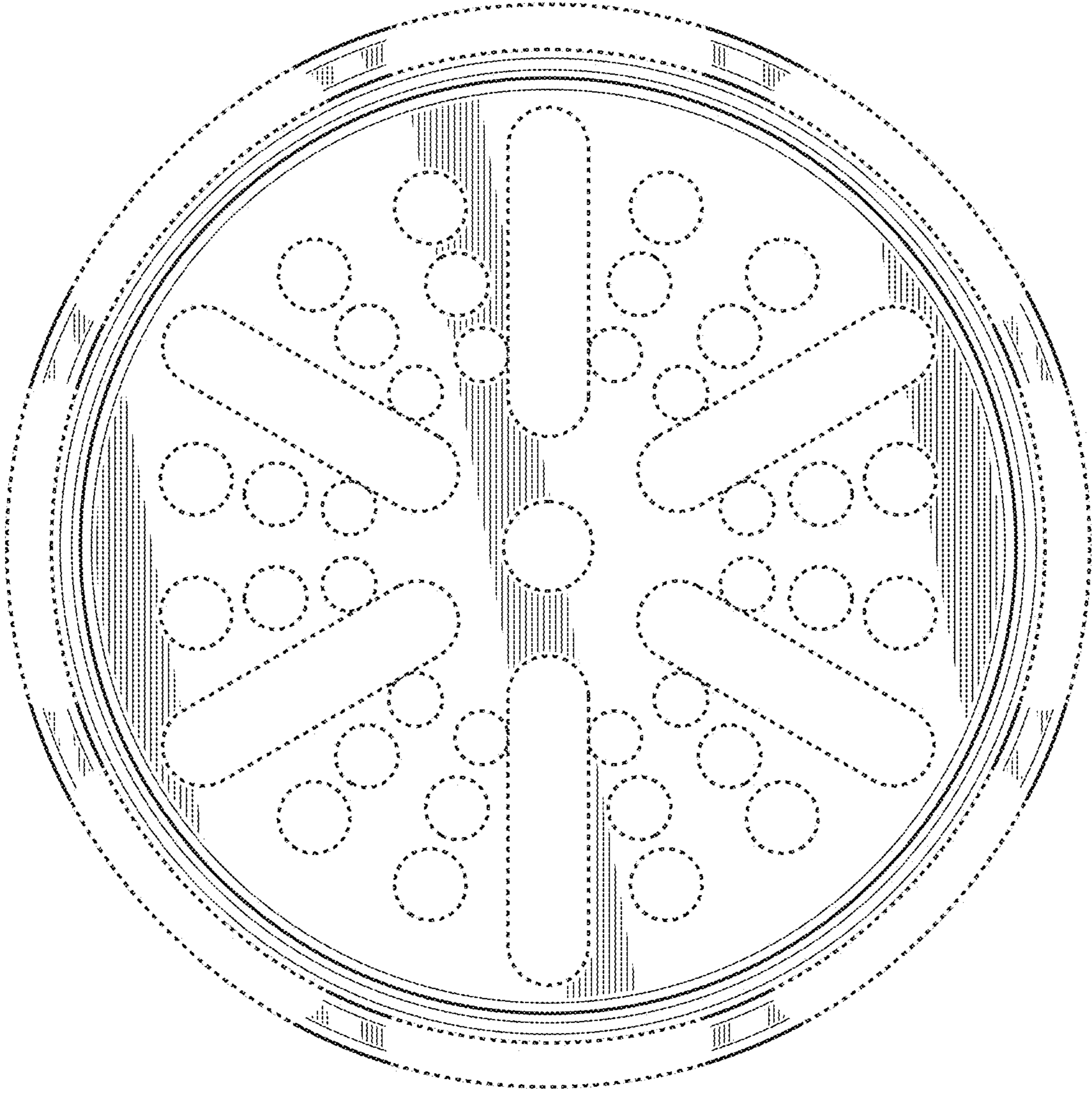


FIG. 7

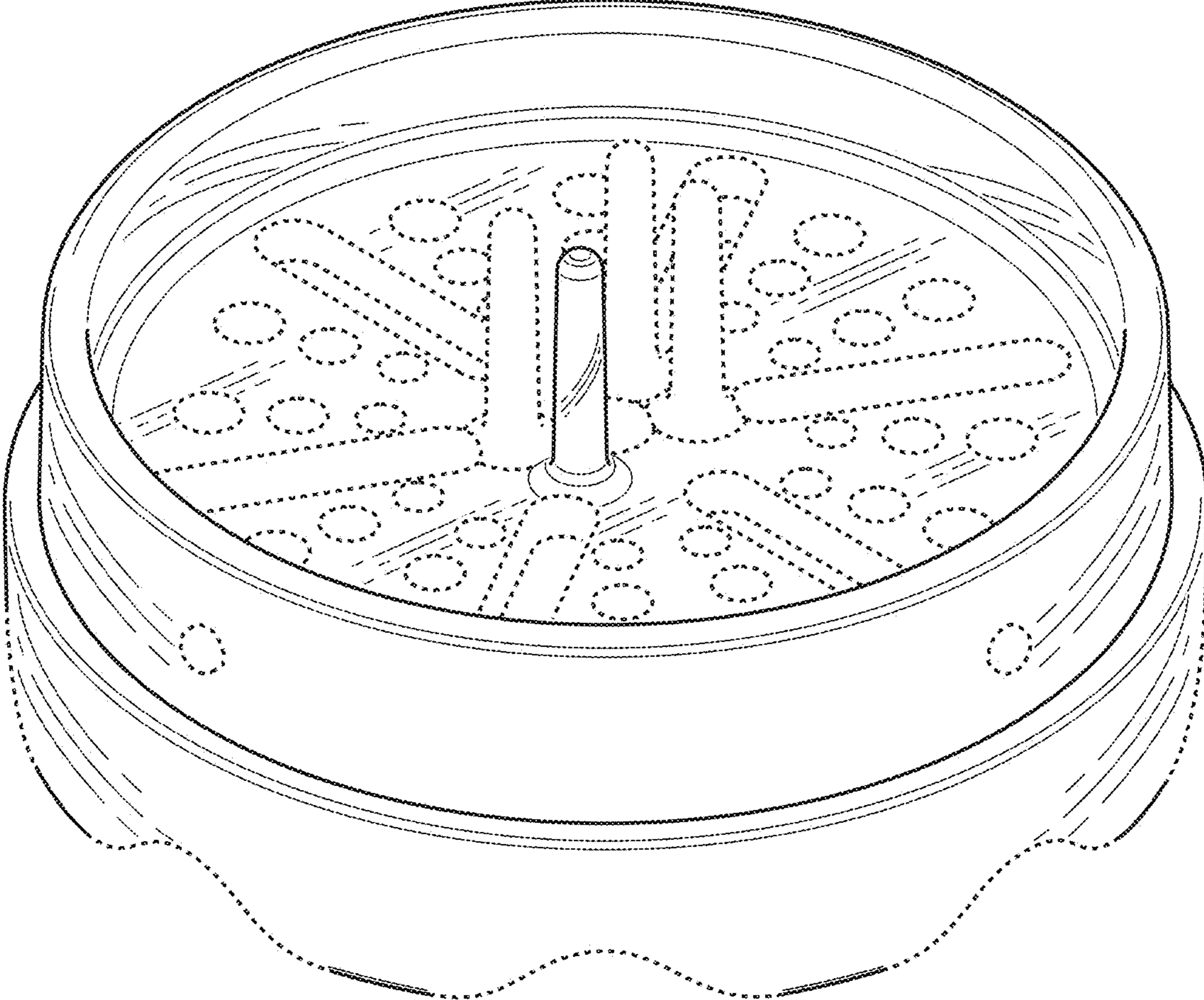


FIG. 8

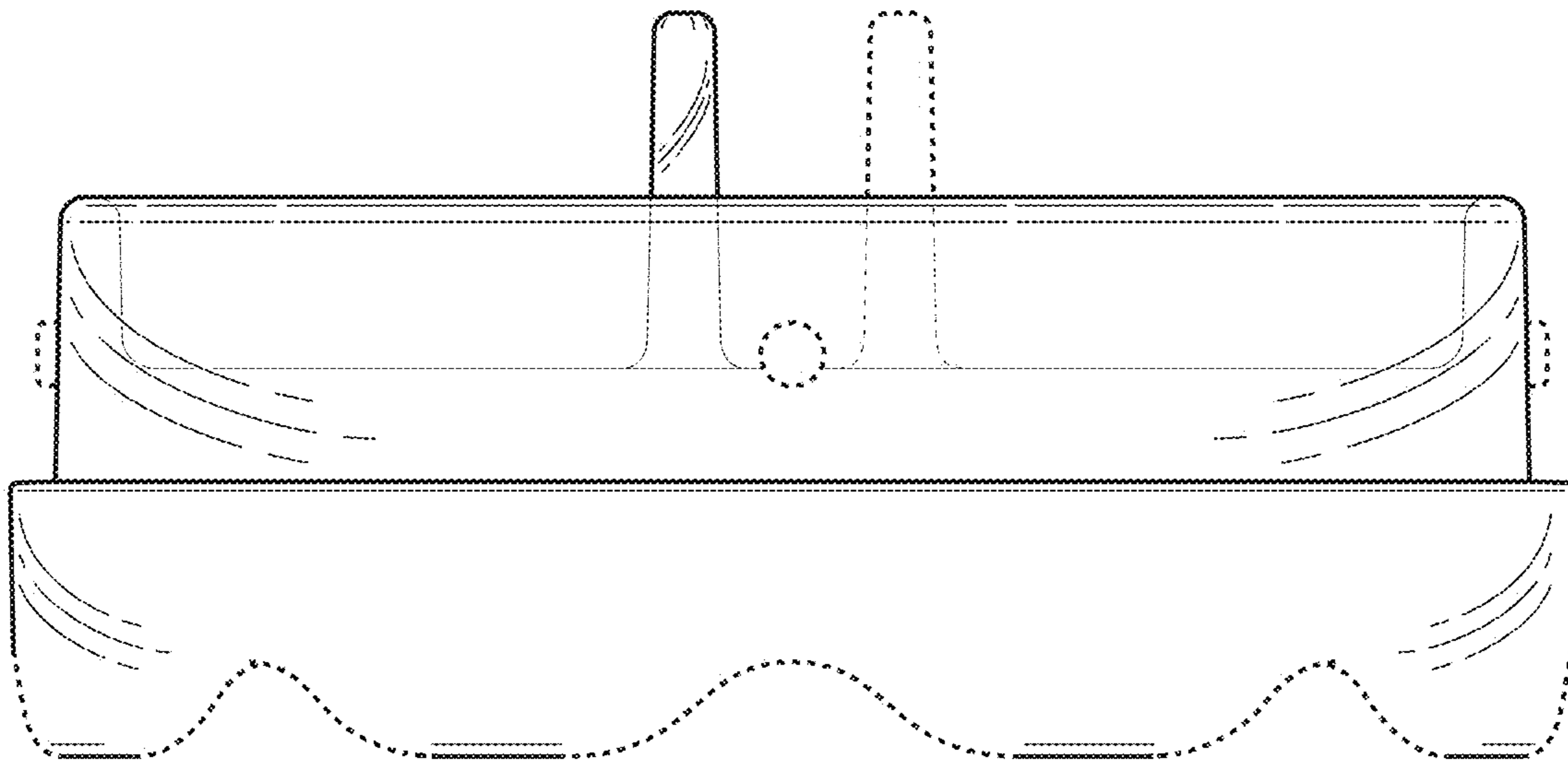


FIG. 9

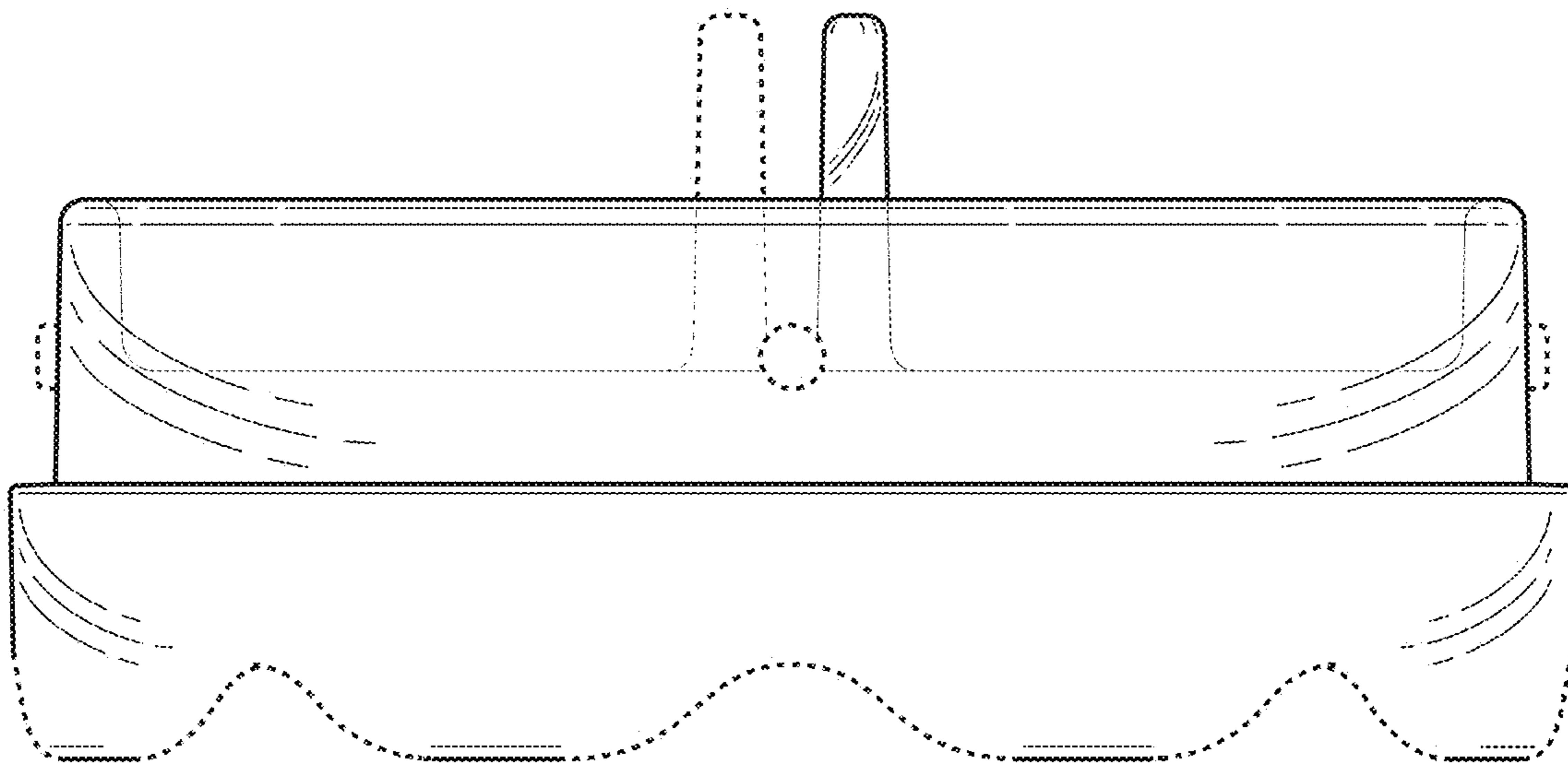


FIG. 10

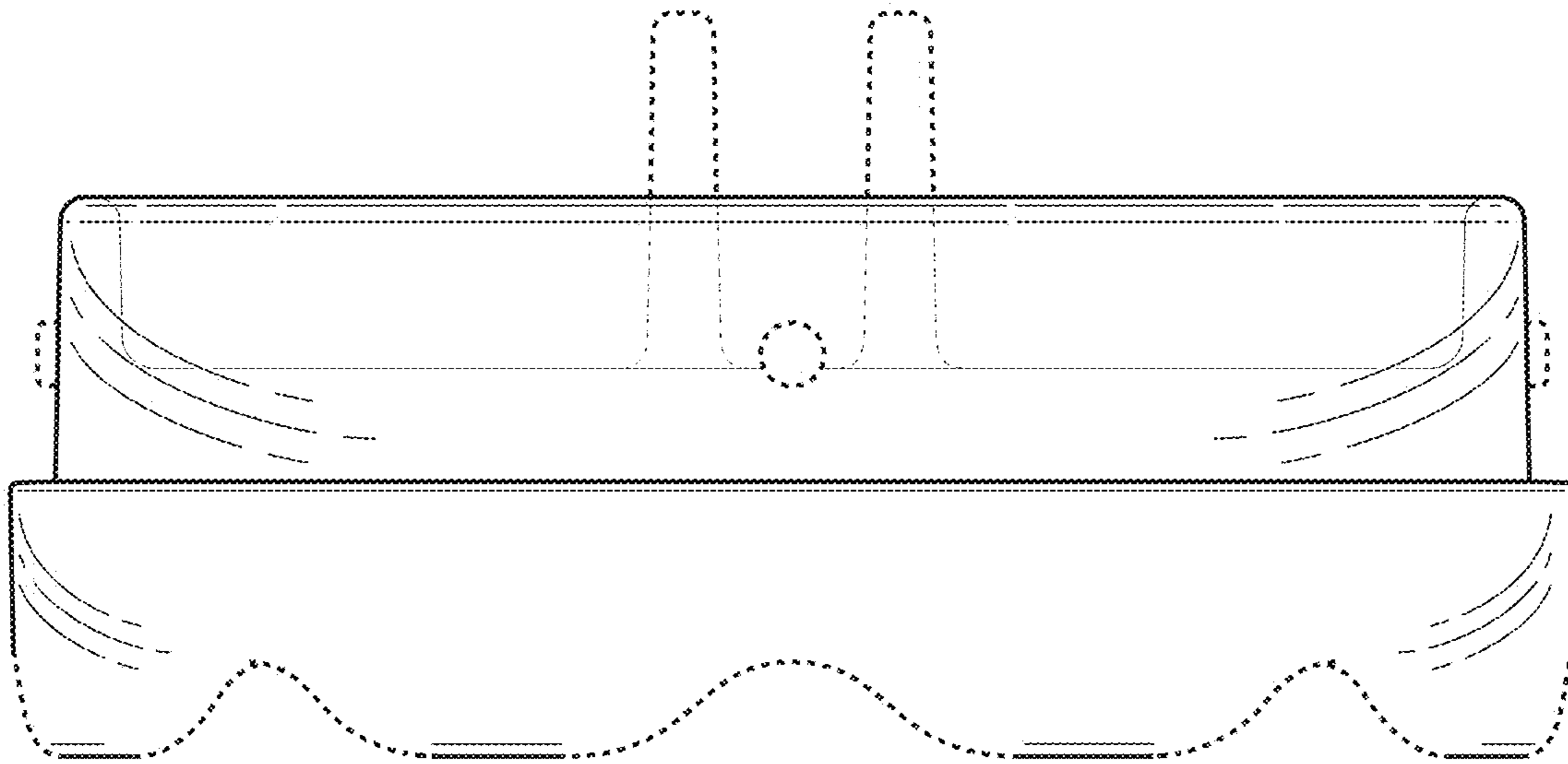


FIG. 11

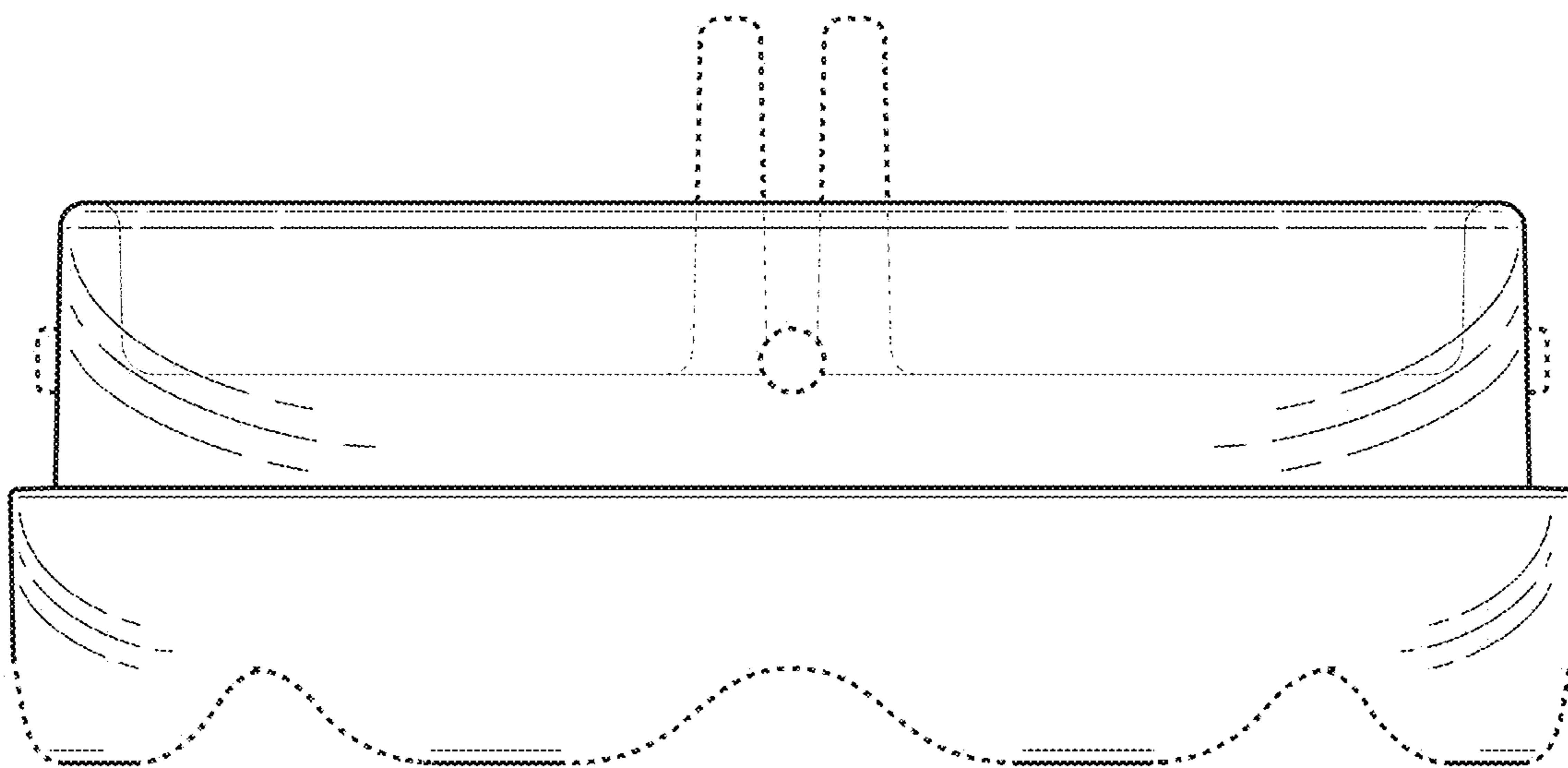


FIG. 12

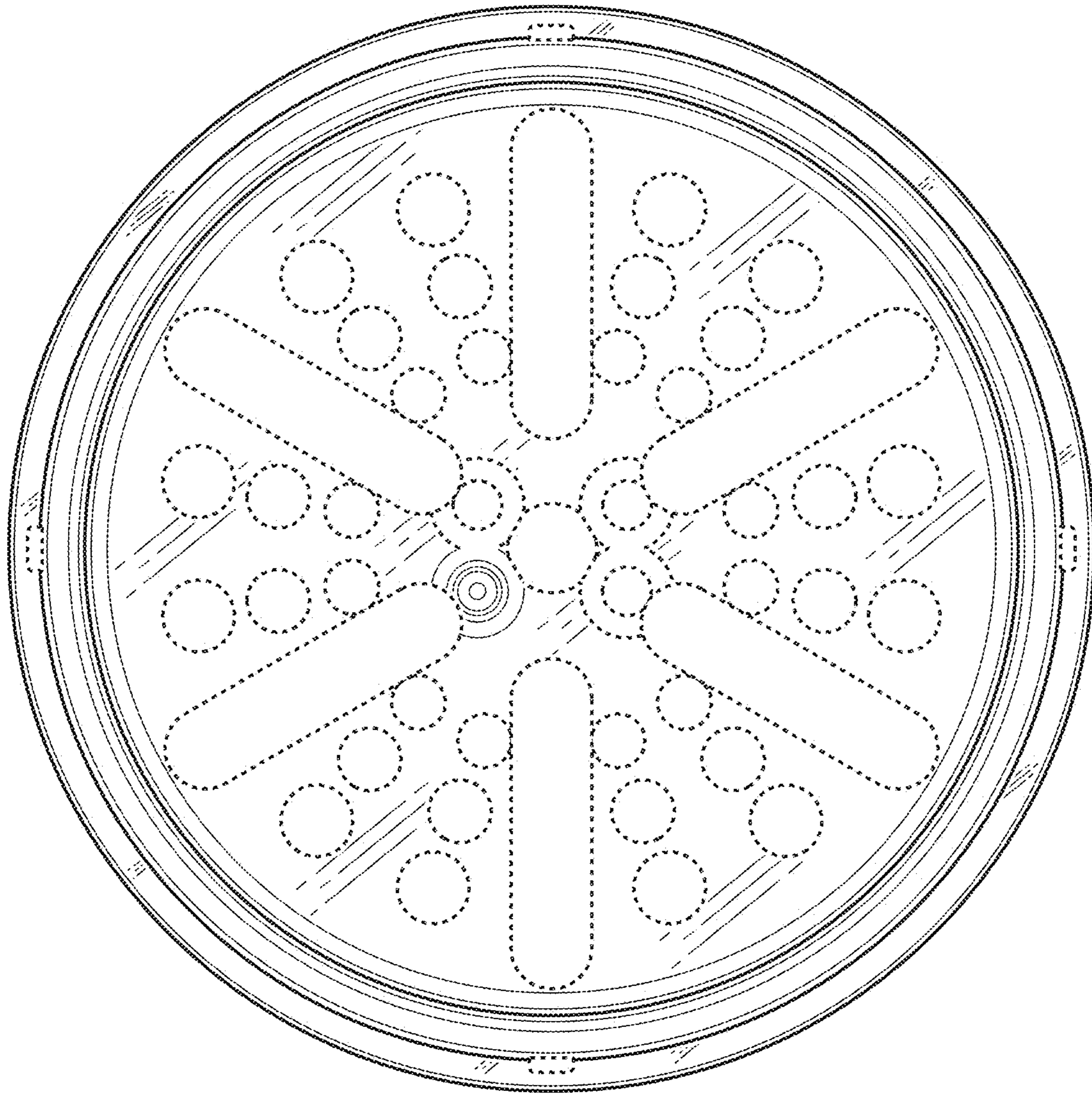


FIG. 13

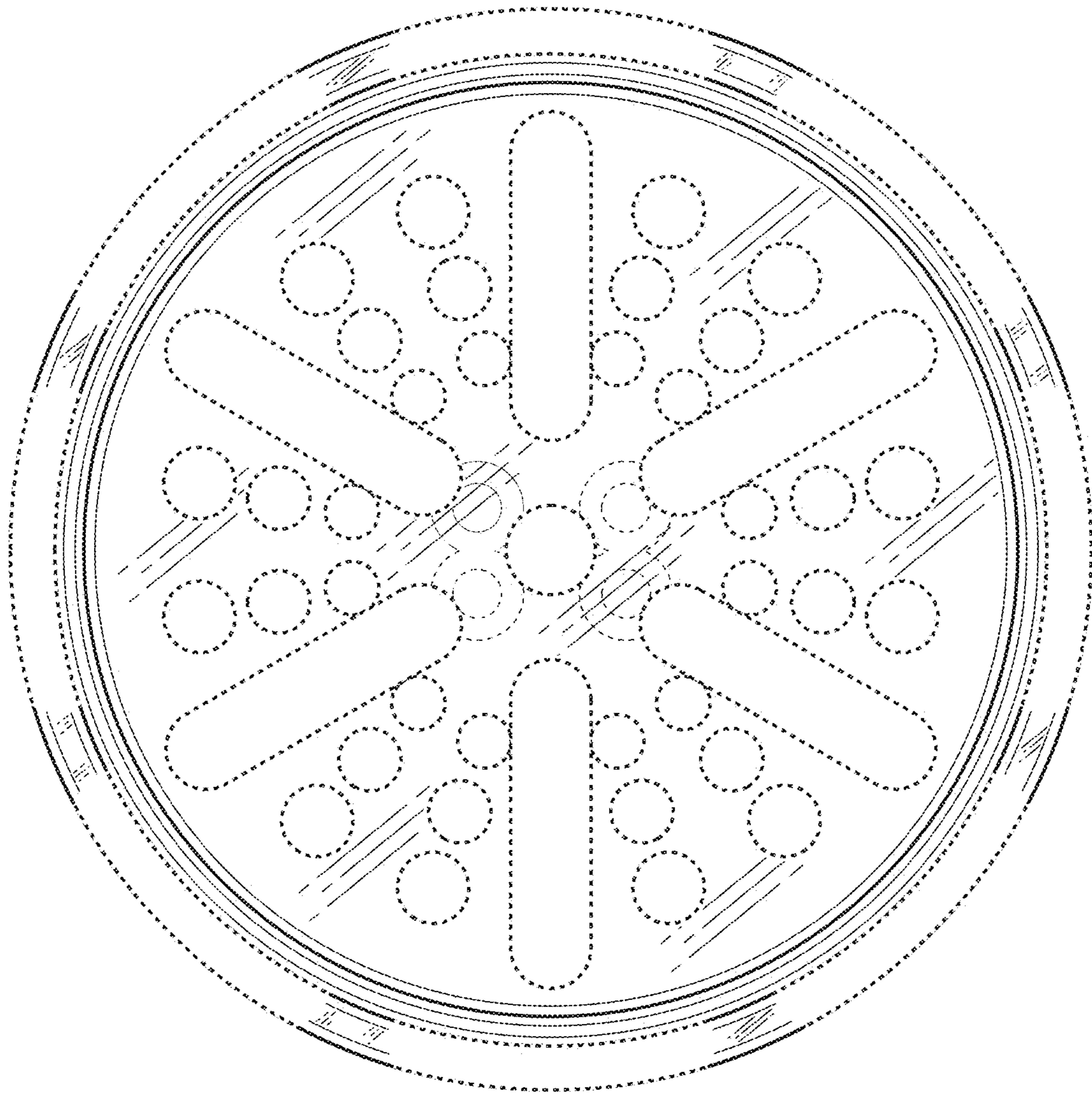


FIG. 14