



US00D981061S

(12) **United States Design Patent**
Guo et al.

(10) **Patent No.: US D981,061 S**
(45) **Date of Patent: ** Mar. 14, 2023**

(54) **CLEANING ROBOT WORKSTATION**

FOREIGN PATENT DOCUMENTS

(71) Applicant: **Zhuichuang Technology (Suzhou) Co., Ltd.**, Suzhou (CN)

CN 302560143 S 9/2013
CN 302736377 S 2/2014

(Continued)

(72) Inventors: **Zhongliang Guo**, Suzhou (CN); **Nan Jiang**, Suzhou (CN)

OTHER PUBLICATIONS

(73) Assignee: **Zhichang Technology (Suzhou) Co., Ltd.**, Suzhou (CN)

Yeedi Self-Empty Station (on-line), date first available Jul. 8, 2021. Retrieved from Internet May 27, 2022, URL: https://www.amazon.com/yeedi-Self-Empty-Station-Compatible-Vacuum/dp/B098WSK3CW/ref=asc_df_B098WSK3CW/?tag=hyprod-20&linkCode=df%E2%80%A6 (3 pages) (Year: 2021).*

(**) Term: **15 Years**

(Continued)

(21) Appl. No.: **29/778,276**

(22) Filed: **Apr. 12, 2021**

Primary Examiner — Kimberly Barnes

(51) **LOC (14) Cl.** **15-05**

(74) *Attorney, Agent, or Firm* — Suiter Swantz pc llo

(52) **U.S. Cl.**
USPC **D32/31**

(57) **CLAIM**

(58) **Field of Classification Search**
USPC D32/15, 17–24, 31–34
CPC A47L 5/24; A47L 7/0076; A47L 11/04;
A47L 11/22; A47L 5/28; A47L 9/106;
A47L 11/30; A47L 11/4005; A47L
9/2873; A47L 9/0009; A47L 11/4091;
B04C 5/185; E04H 4/1636
See application file for complete search history.

The ornamental design for a cleaning robot workstation, as shown and described.

DESCRIPTION

(56) **References Cited**

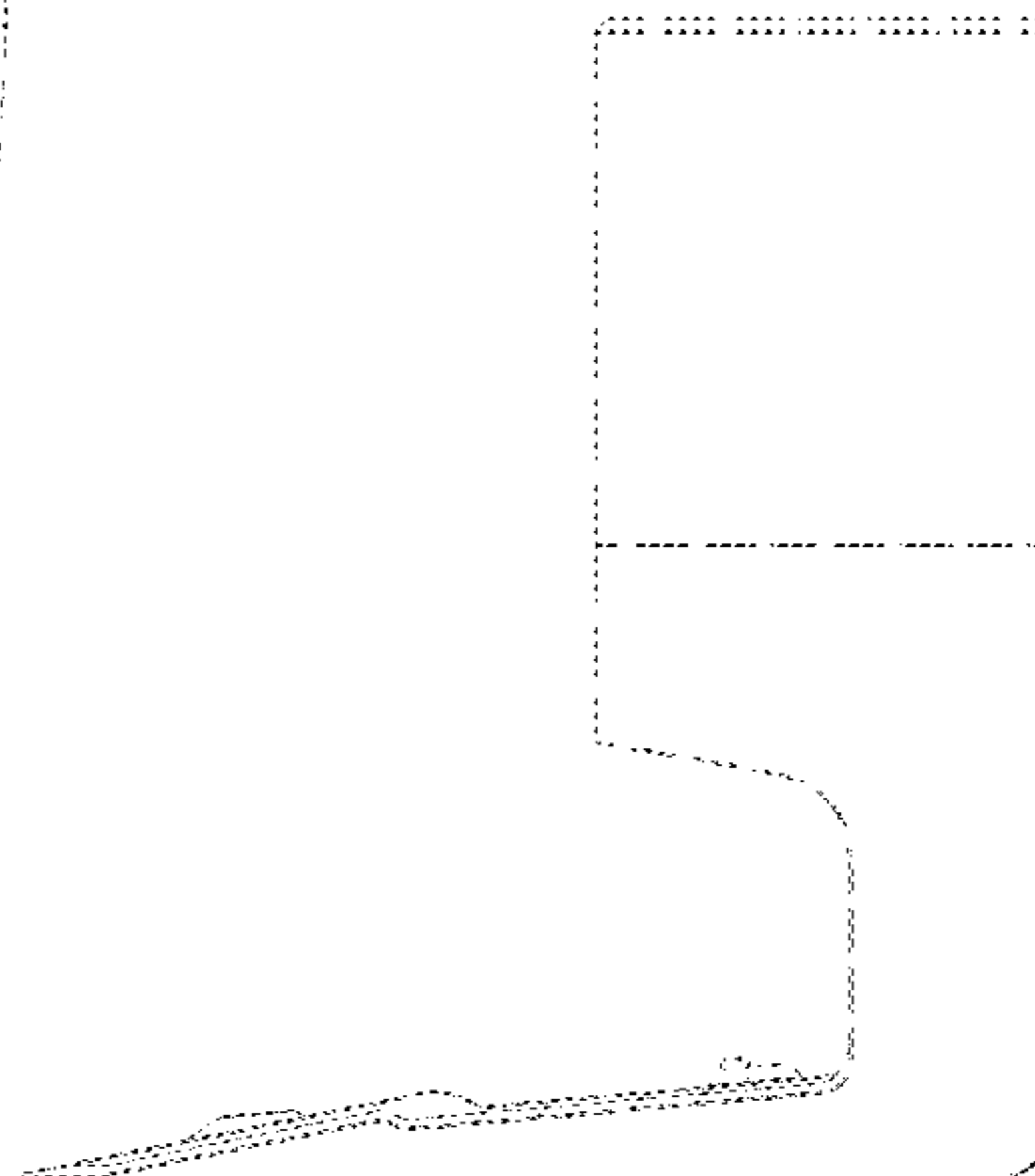
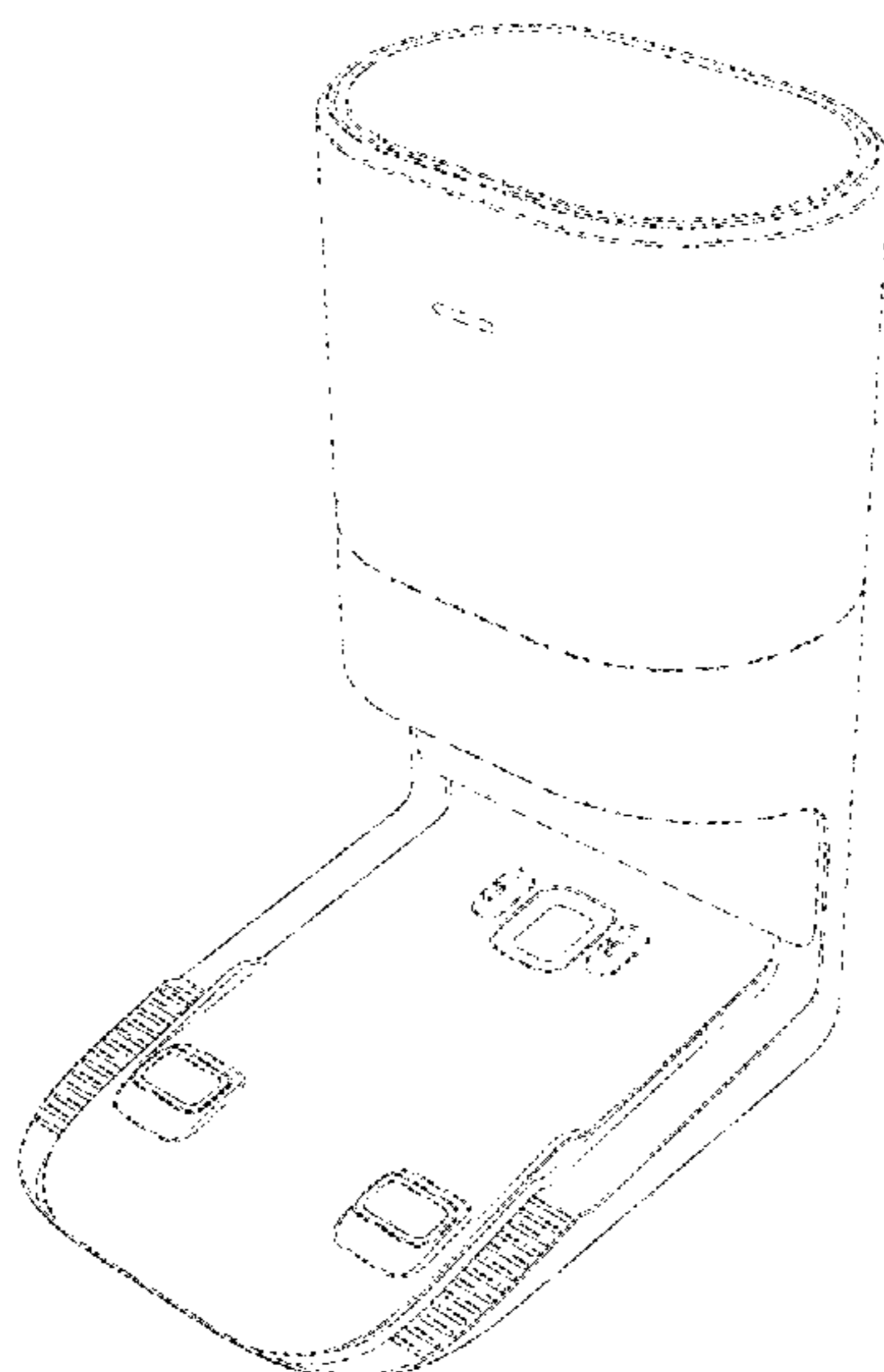
U.S. PATENT DOCUMENTS

| | | | | | |
|------------|------|---------|---------------|-------|--------------|
| D639,237 | S * | 6/2011 | Lee | | D32/31 |
| D639,735 | S * | 6/2011 | Lee | | D32/31 |
| D662,677 | S | 6/2012 | Bilger et al. | | |
| 9,462,920 | B1 * | 10/2016 | Morin | | A47L 9/2842 |
| 9,468,349 | B2 * | 10/2016 | Fong | | B25J 19/005 |
| 9,924,846 | B2 * | 3/2018 | Morin | | A47L 11/4011 |
| 10,022,029 | B2 * | 7/2018 | Machida | | A47L 9/106 |
| 10,143,348 | B2 * | 12/2018 | Machida | | A47L 9/0405 |
| 10,383,499 | B2 * | 8/2019 | Fox | | B25J 19/005 |
| 10,463,215 | B2 * | 11/2019 | Morin | | A47L 9/1436 |
| D874,762 | S | 2/2020 | Tang | | |

(Continued)

FIG. 1 is a perspective view of a cleaning robot workstation showing our new design;
FIG. 2 is a front view of the cleaning robot workstation depicted in FIG. 1;
FIG. 3 is a back view of the cleaning robot workstation depicted in FIG. 1;
FIG. 4 is a left side view of the cleaning robot workstation depicted in FIG. 1;
FIG. 5 is a right side view of the cleaning robot workstation depicted in FIG. 1;
FIG. 6 is a bottom view of the cleaning robot workstation depicted in FIG. 1; and,
FIG. 7 is a top view of the cleaning robot workstation depicted in FIG. 1.
The broken lines in the drawings depict portions of the cleaning robot workstation that form no part of the claimed design.

1 Claim, 7 Drawing Sheets



(56)

References Cited

U.S. PATENT DOCUMENTS

| | | | | | |
|--------------|------|---------|----------|-------|--------------|
| 10,575,696 | B2 * | 3/2020 | O'Brien | | A47L 9/2852 |
| 10,595,692 | B2 * | 3/2020 | Morin | | A47L 9/1666 |
| 11,006,802 | B2 * | 5/2021 | Watanabe | | H04N 7/188 |
| 11,058,276 | B2 * | 7/2021 | Fox | | B25J 19/005 |
| D939,436 | S * | 12/2021 | Chei | | D32/31 |
| D948,822 | S * | 4/2022 | Kim | | D32/31 |
| D961,177 | S * | 8/2022 | Jang | | D32/31 |
| 2008/0174268 | A1 * | 7/2008 | Koo | | H02J 7/0045 |
| | | | | | 320/109 |
| 2013/0335900 | A1 * | 12/2013 | Jang | | A47L 9/2857 |
| | | | | | 361/679.01 |
| 2016/0278596 | A1 * | 9/2016 | Janzen | | A47L 11/4066 |
| 2020/0405107 | A1 * | 12/2020 | Na | | A47L 9/2884 |
| 2021/0034062 | A1 * | 2/2021 | Ahn | | A47L 11/4061 |
| 2022/0047138 | A1 * | 2/2022 | Wong | | G05D 1/0234 |
| 2022/0047139 | A1 * | 2/2022 | Jeong | | A47L 9/2873 |
| 2022/0061612 | A1 * | 3/2022 | Wolff | | A47L 9/1472 |

FOREIGN PATENT DOCUMENTS

| | | | |
|----|-----------|---|--------|
| CN | 302803664 | S | 4/2014 |
| CN | 303226200 | S | 5/2015 |
| CN | 303233009 | S | 6/2015 |

| | | | |
|----|-----------|-----|---------|
| CN | 303330007 | S | 8/2015 |
| CN | 303509137 | S | 12/2015 |
| CN | 303648206 | S | 4/2016 |
| CN | 303775278 | S | 8/2016 |
| CN | 303988265 | S | 12/2016 |
| CN | 304096122 | S | 4/2017 |
| CN | 304180346 | S | 6/2017 |
| CN | 304499511 | S | 2/2018 |
| CN | 304732104 | S | 7/2018 |
| CN | 305057434 | S | 3/2019 |
| CN | 305568710 | S | 1/2020 |
| CN | 306630170 | S | 6/2021 |
| JP | D1530912 | S | 7/2015 |
| JP | 1627034 | S | 3/2019 |
| JP | 1627035 | S | 3/2019 |
| JP | 1663449 | S | 7/2020 |
| JP | D1698204 | * S | 10/2021 |

OTHER PUBLICATIONS

Decision to Grant Design Registration in Japanese Design Application No. 2021-007671 dated Jul. 27, 2021, 16 pages.
 Design Patent Evaluation Report in Chinese Application No. ZL202030716200.3 dated Nov. 8, 2021, 9 pages.

* cited by examiner

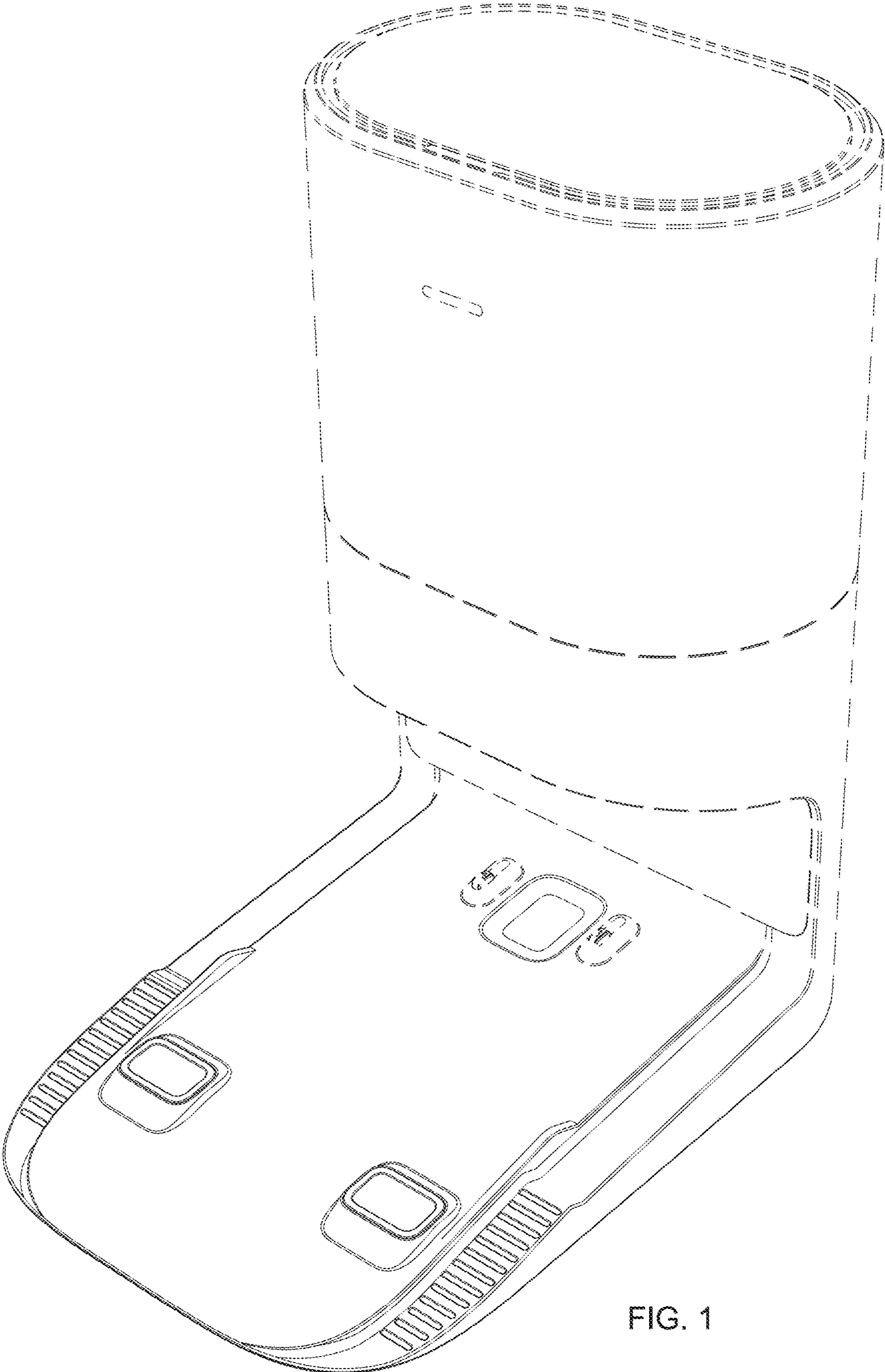


FIG. 1

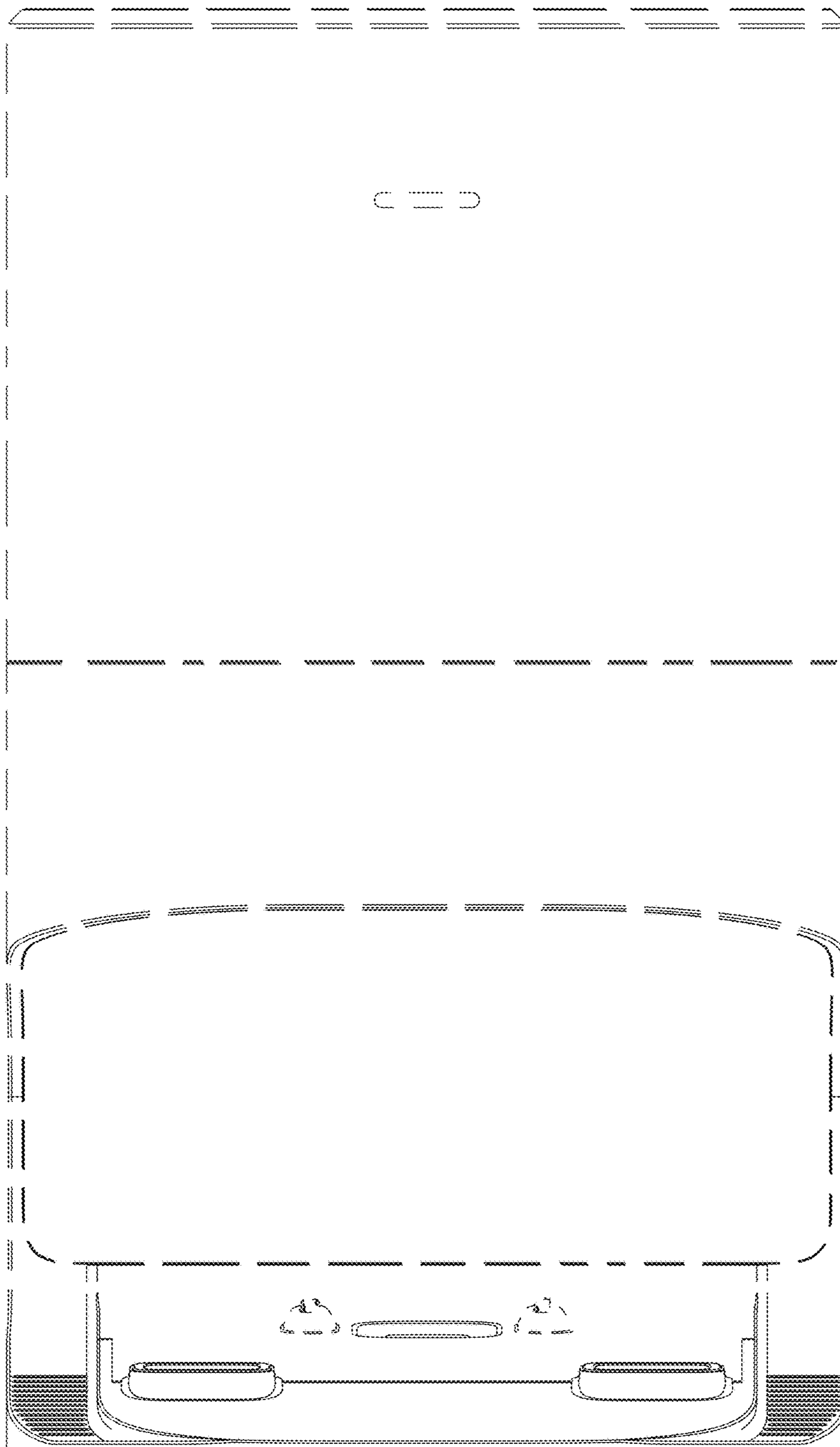


FIG. 2

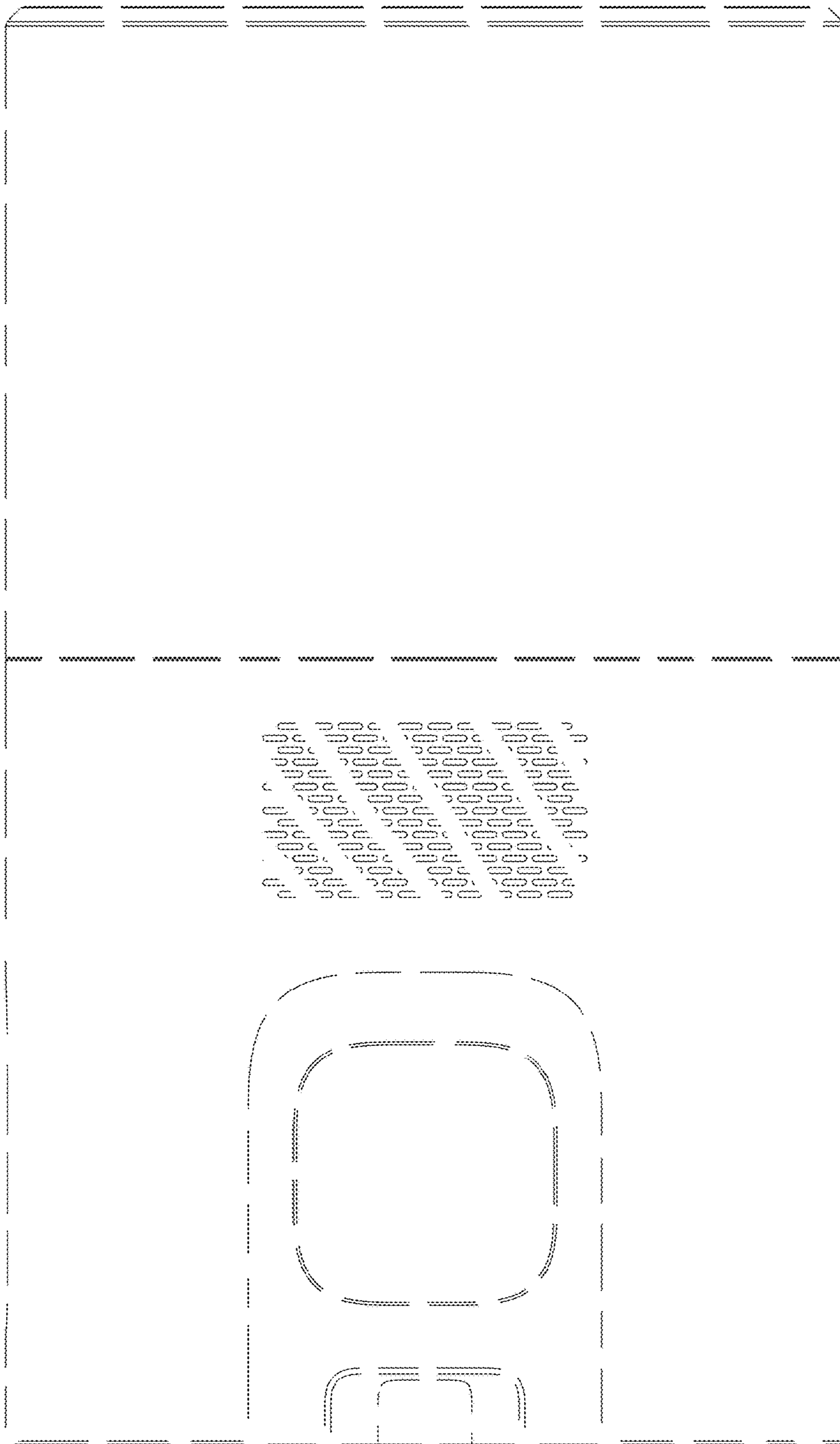


FIG. 3

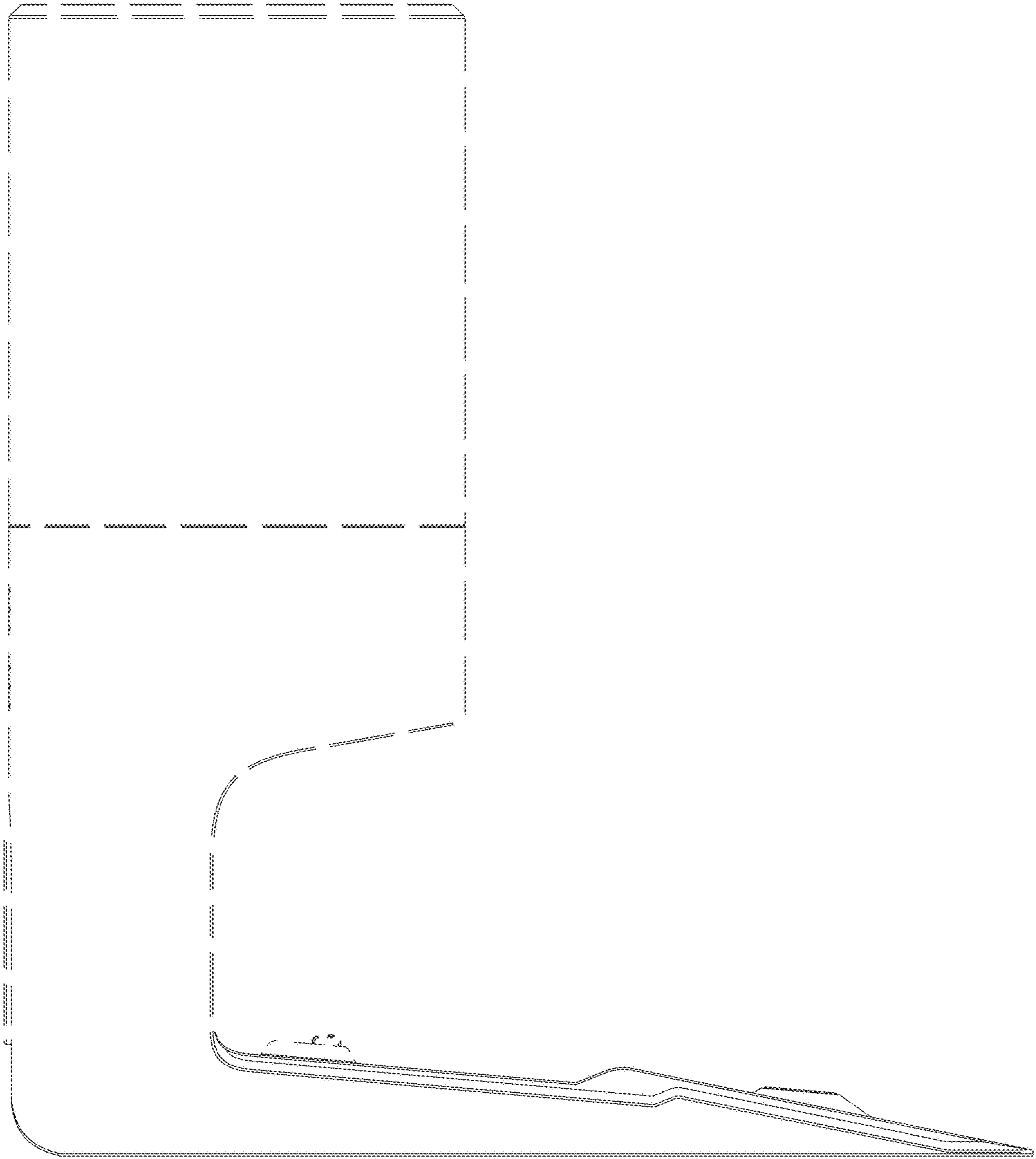


FIG. 4

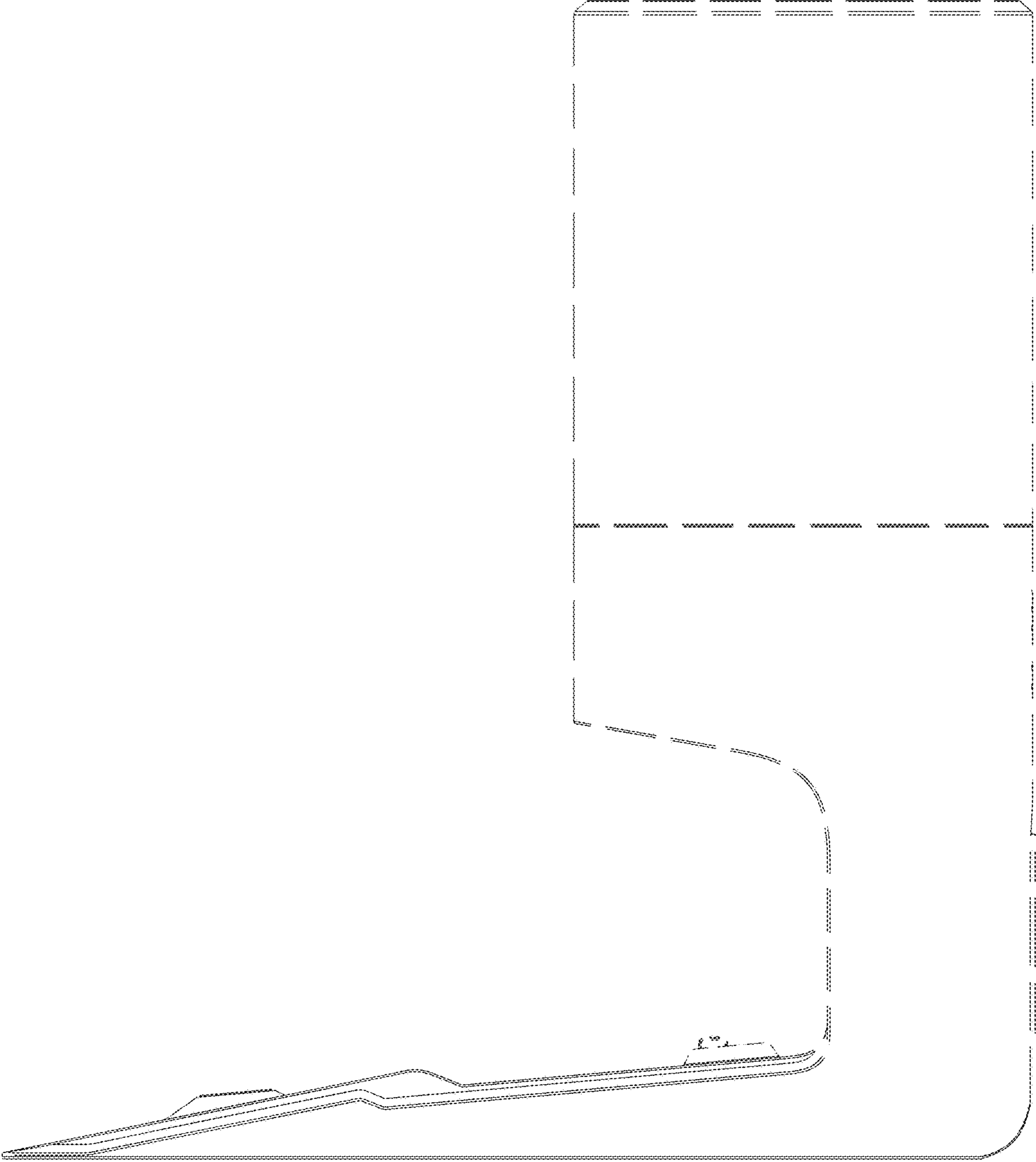


FIG. 5

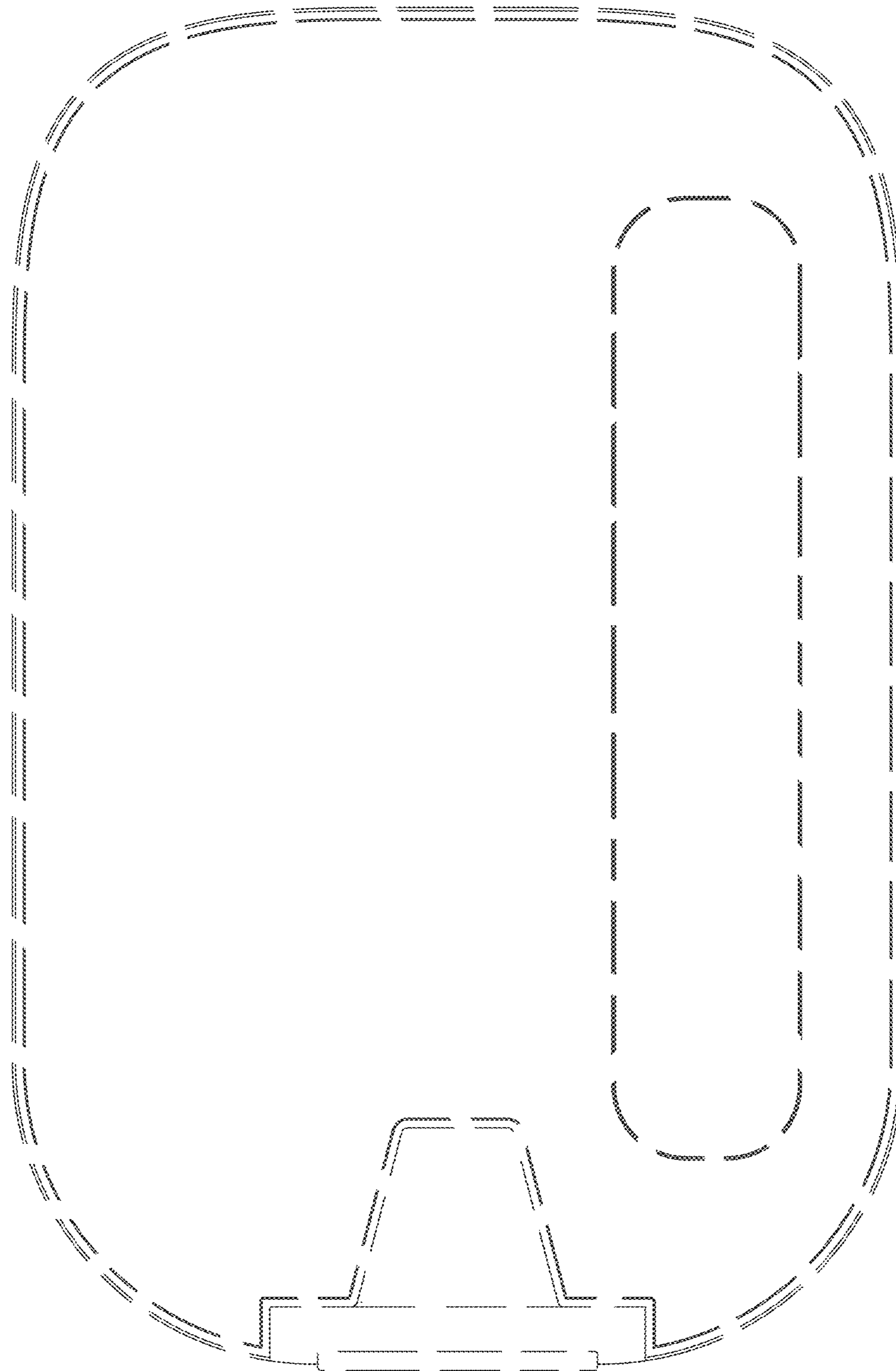


FIG. 6

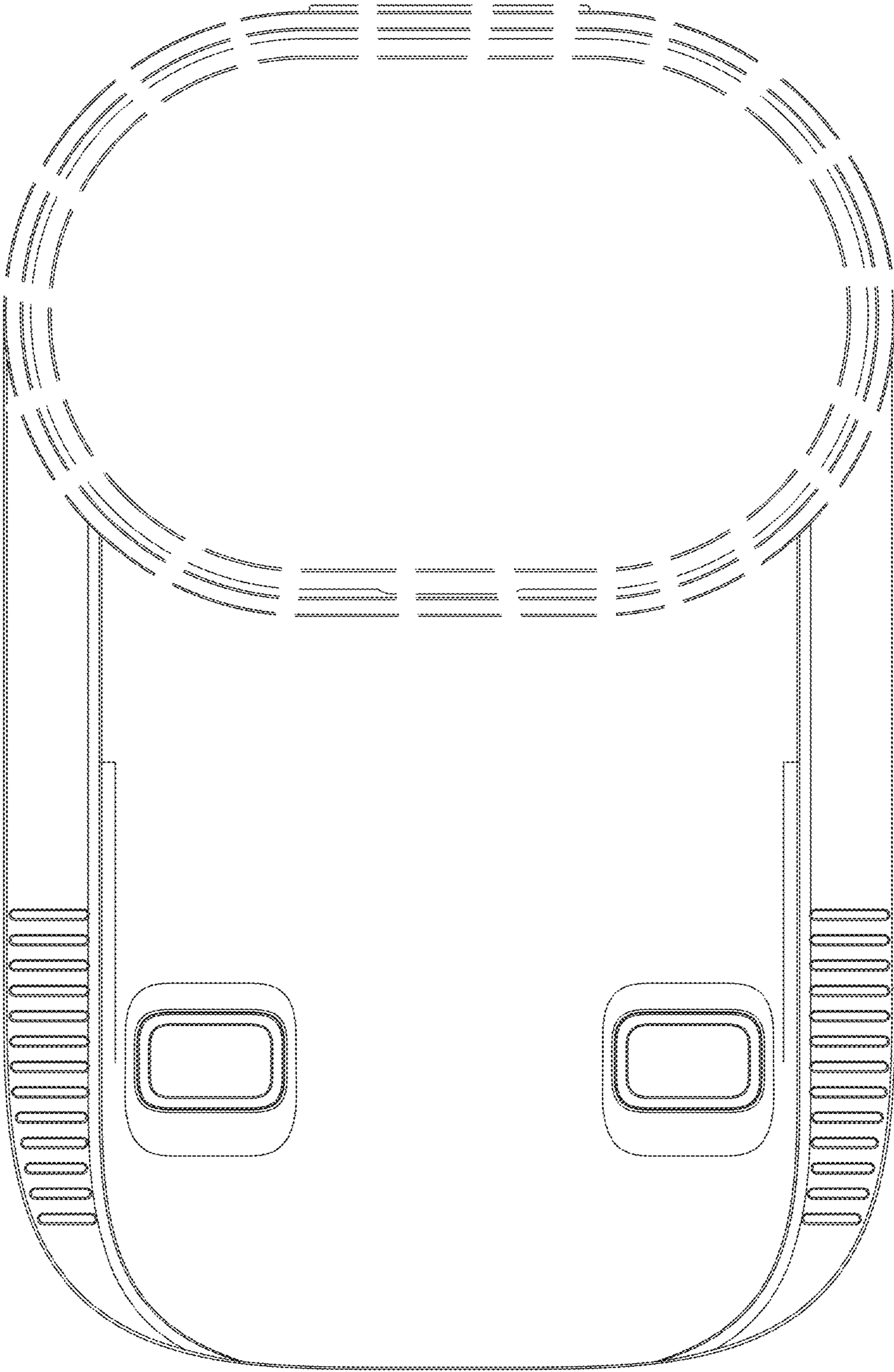


FIG. 7