



US00D981060S

(12) **United States Design Patent**
Li

(10) **Patent No.:** **US D981,060 S**
(45) **Date of Patent:** **** Mar. 14, 2023**

(54) **VACUUM BAG**

(71) Applicant: **SHENZHEN YICHENG ELECTRONIC COMMERCE CO., LTD.**, Shenzhen (CN)

(72) Inventor: **Zhibin Li**, Yuanjiang (CN)

(73) Assignee: **SHENZHEN YICHENG ELECTRONIC COMMERCE CO., LTD.**, Shenzhen (CN)

(**) Term: **15 Years**

(21) Appl. No.: **29/852,775**

(22) Filed: **Sep. 9, 2022**

(51) **LOC (14) Cl.** **15-05**

(52) **U.S. Cl.**
USPC **D32/30; D32/31**

(58) **Field of Classification Search**
USPC **D32/15-25, 30-34**
CPC ... **A47L 9/10; A47L 9/102; A47L 9/12; A47L 9/122; A47L 9/14; A47L 9/1409; A47L 9/1418; A47L 9/1427; A47L 9/1436; A47L 9/1445; A47L 9/1454; B01D 46/02; B01D 46/04**

See application file for complete search history.

(56) **References Cited**

U.S. PATENT DOCUMENTS

- 5,472,460 A * 12/1995 Schmierer A47L 9/1427
55/377
- 5,725,620 A * 3/1998 Perea B01D 46/02
55/369
- D559,483 S * 1/2008 Matter D32/31
- D617,064 S * 6/2010 Hengvoss D32/30
- 7,799,107 B2 * 9/2010 Corney A47L 9/1445
55/377
- D654,234 S * 2/2012 Hein D32/30
- 10,842,334 B2 * 11/2020 Wolff A47L 9/1418
- 10,952,581 B2 * 3/2021 Werius A47L 9/1436
- 10,986,969 B2 * 4/2021 Werius A47L 9/1427

- 11,006,797 B1 * 5/2021 Cho A47L 9/00
 - D965,244 S * 9/2022 Zheng D34/7
 - 11,452,418 B2 * 9/2022 Na A47L 9/1472
- (Continued)

FOREIGN PATENT DOCUMENTS

CN 307256881 * 4/2022

OTHER PUBLICATIONS

Filter Dust Bag For Irobots Roombas (on-line), no date available. Retrieved from Internet Dec. 22, 2022, URL: https://www.alibaba.com/product-detail/Avoid-Patents-Sweeper-Robot-Vacuum-Cleaner_1600509371475.html (1 page).*

Primary Examiner — Kimberly Barnes

(74) *Attorney, Agent, or Firm* — Daniel M. Cohn; Howard M. Cohn

(57) **CLAIM**

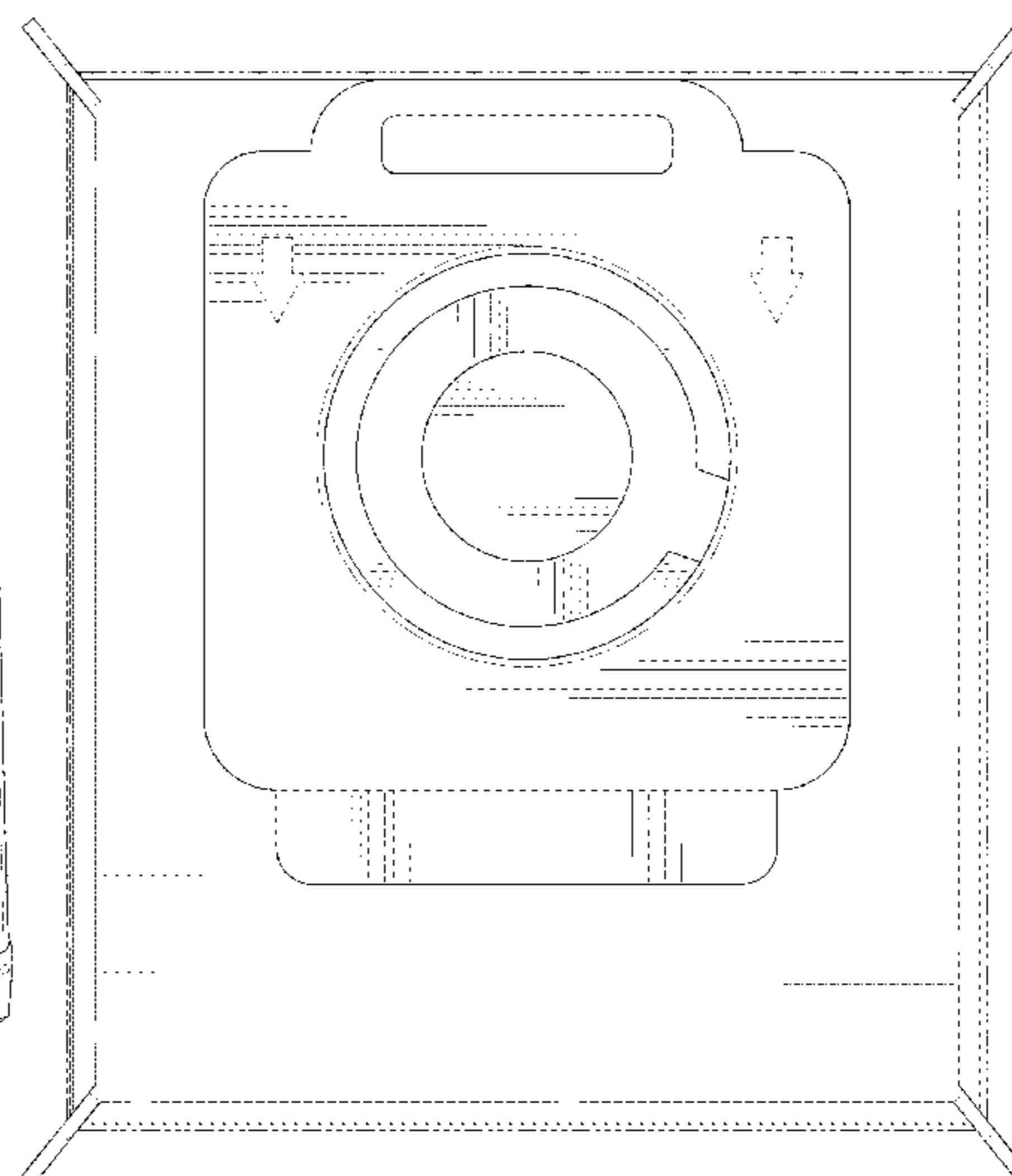
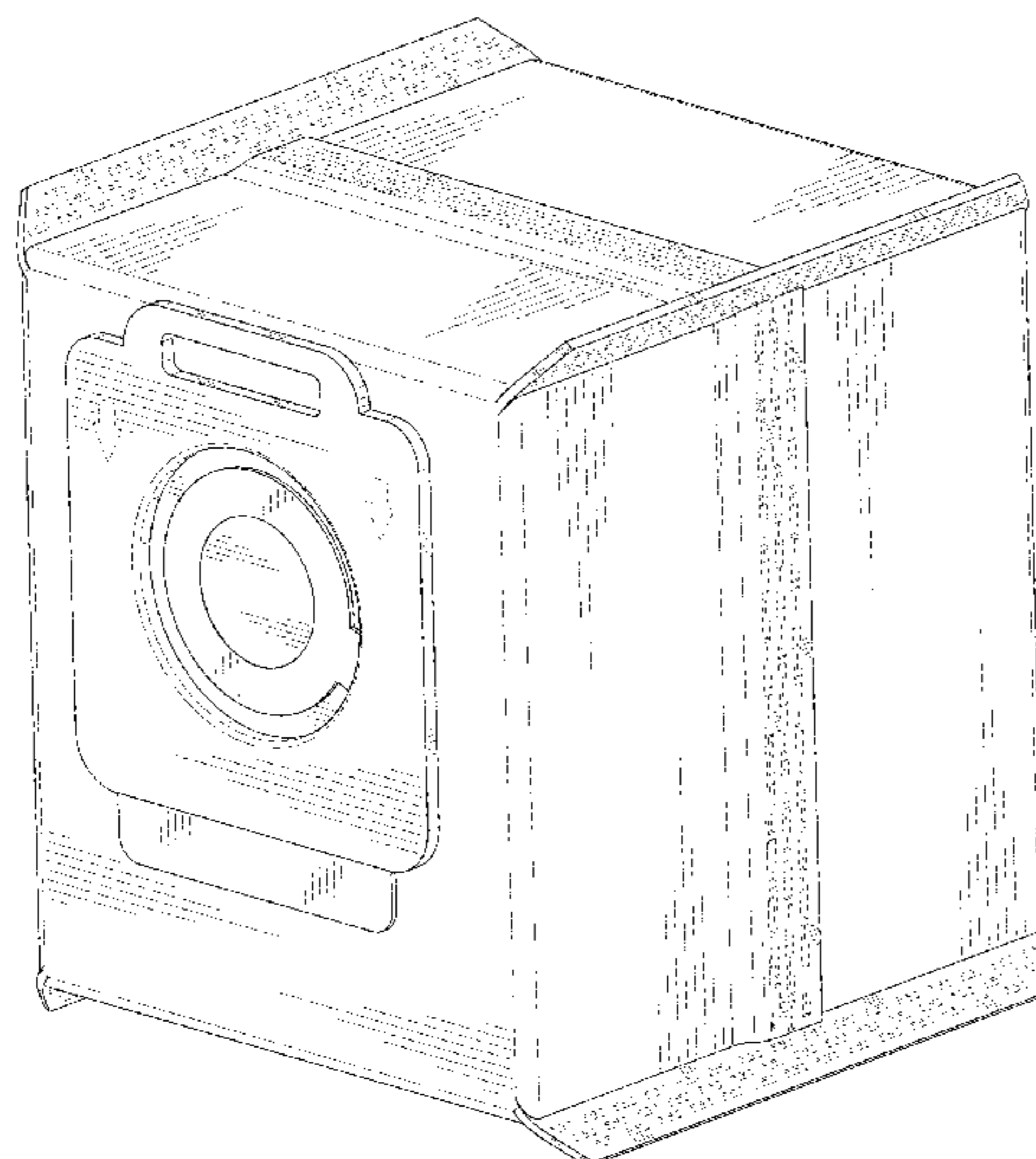
The ornamental design for a vacuum bag, as shown and described.

DESCRIPTION

FIG. 1 is a perspective view of a vacuum bag showing my new design;
 FIG. 2 is another perspective view thereof;
 FIG. 3 is a front elevational view thereof;
 FIG. 4 is a rear elevational view thereof;
 FIG. 5 is a left side elevational view thereof;
 FIG. 6 is a right side elevational view thereof;
 FIG. 7 is a top plan view thereof;
 FIG. 8 is a bottom plan view thereof;
 FIG. 9 is a perspective view of the vacuum bag where the vacuum bag is in an open state; and,
 FIG. 10 is an enlarged perspective view of the lid of the vacuum bag in FIG. 9 shown separately for ease of illustration.

The broken lines in the drawings depict portions of the vacuum bag that form no part of the claimed design.

1 Claim, 10 Drawing Sheets



(56)

References Cited

U.S. PATENT DOCUMENTS

D975,391 S * 1/2023 Li D32/31
2022/0313041 A1 * 10/2022 Zhong A47L 9/1463
2023/0010550 A1 * 1/2023 Wolff A47L 9/149

* cited by examiner

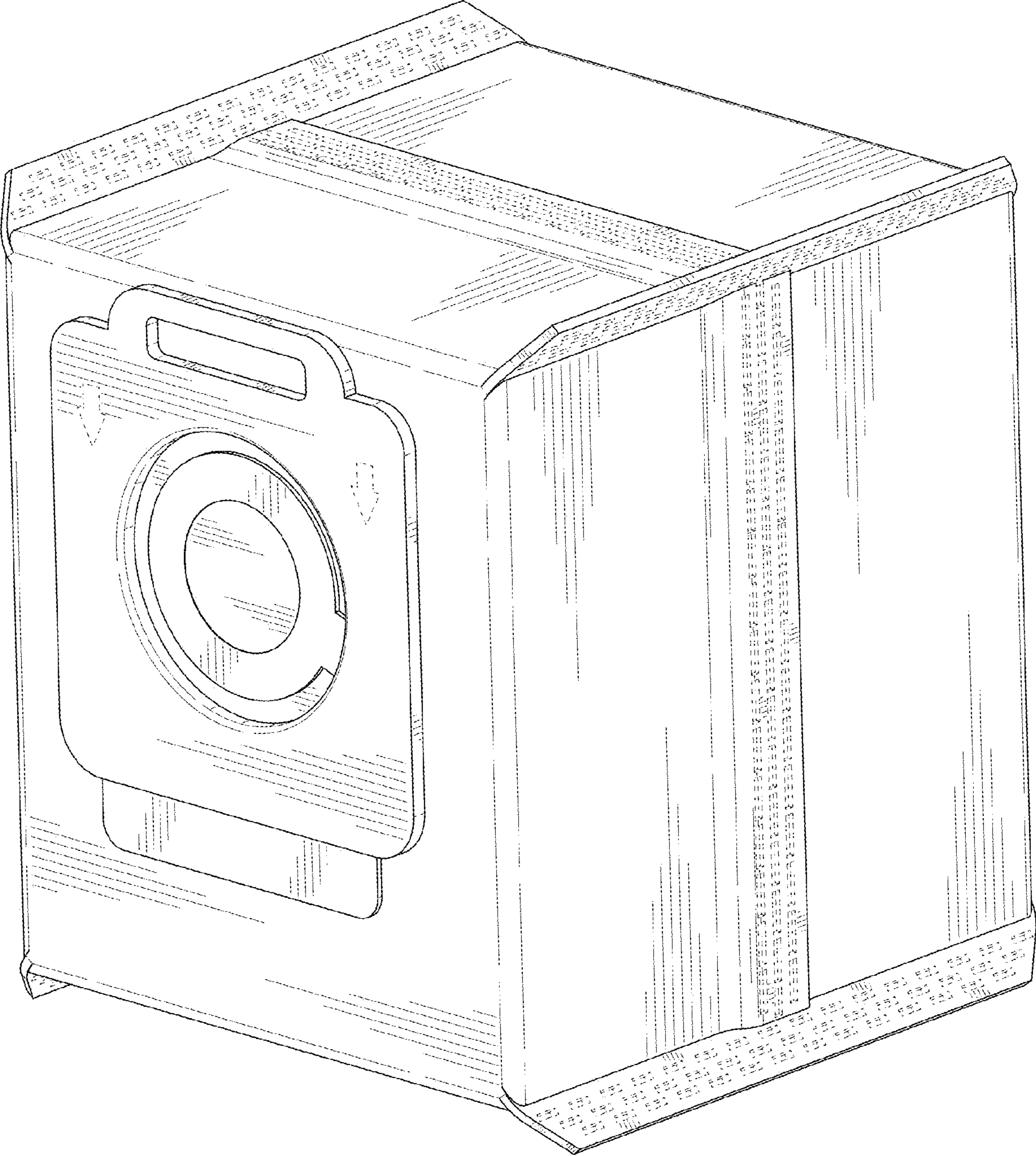


FIG. 1

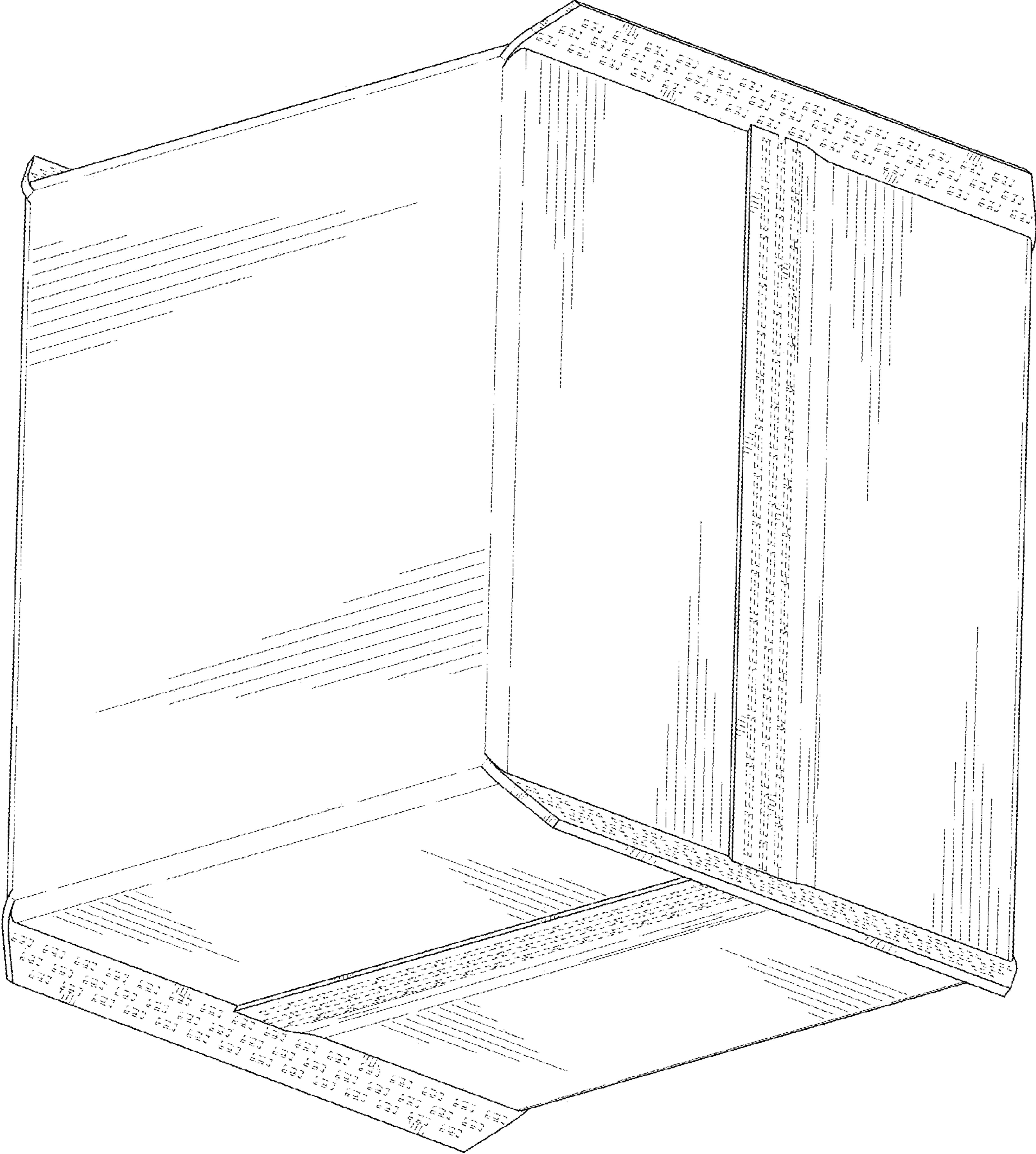


FIG. 2

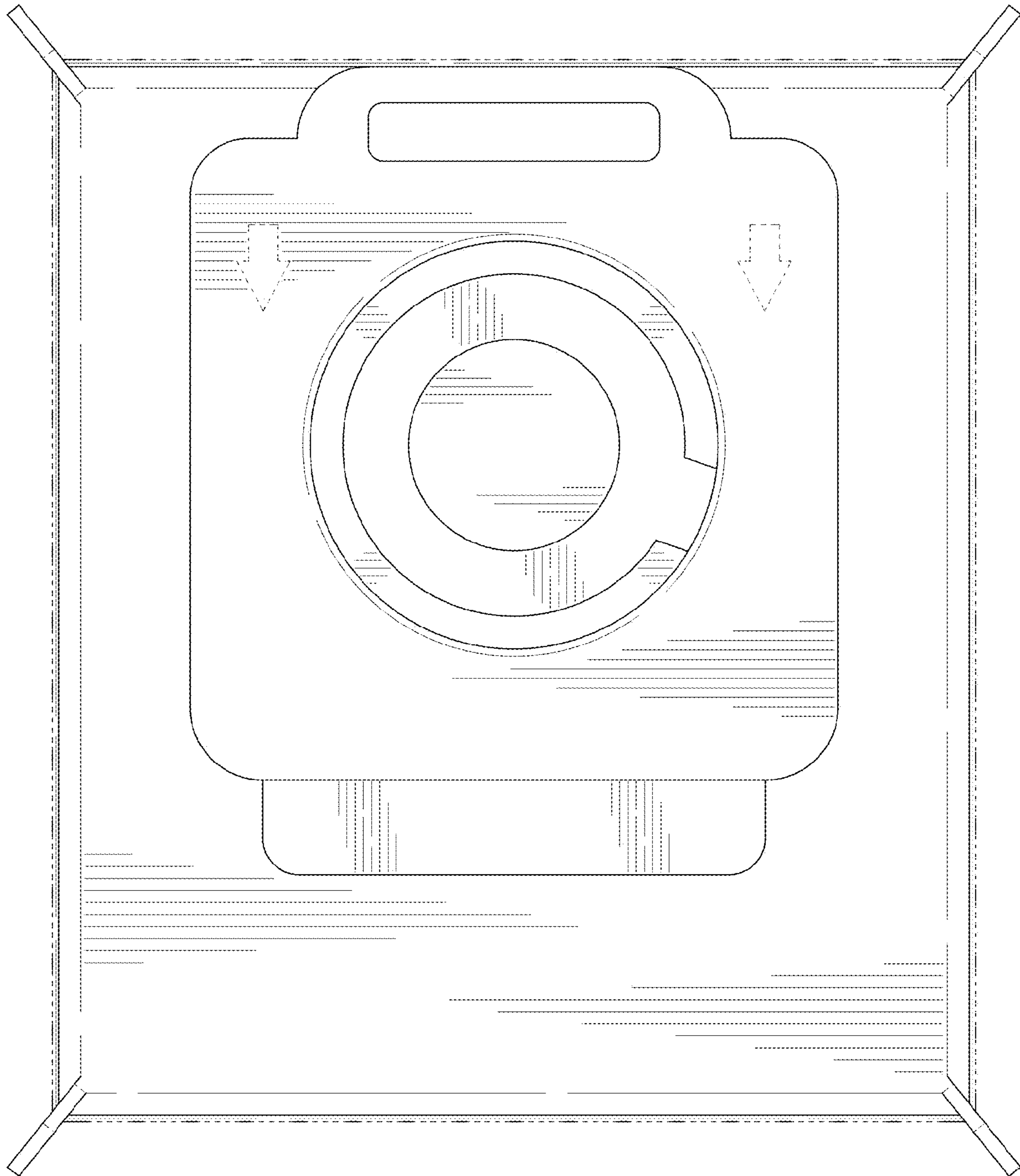


FIG. 3

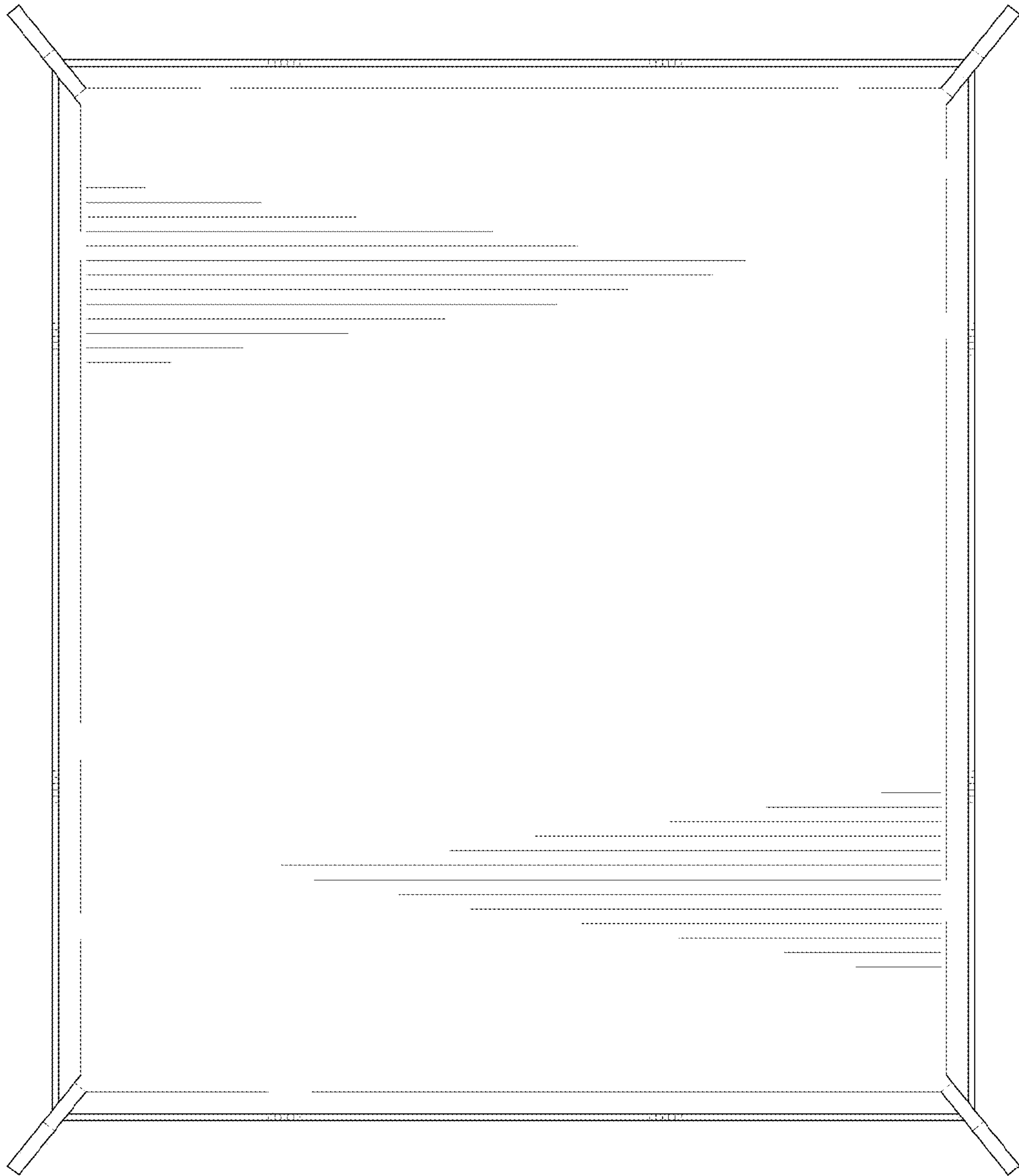


FIG. 4

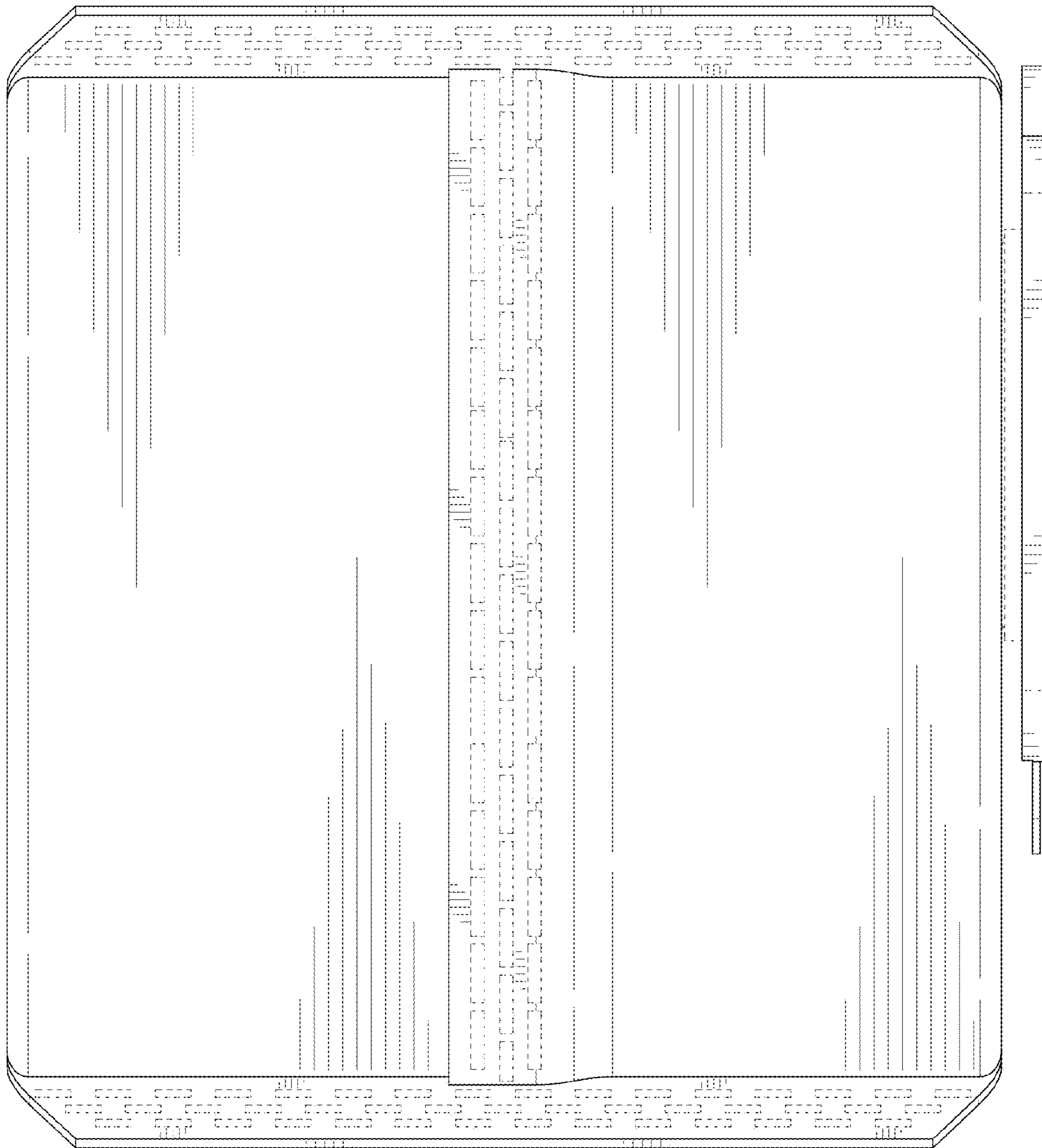


FIG. 5

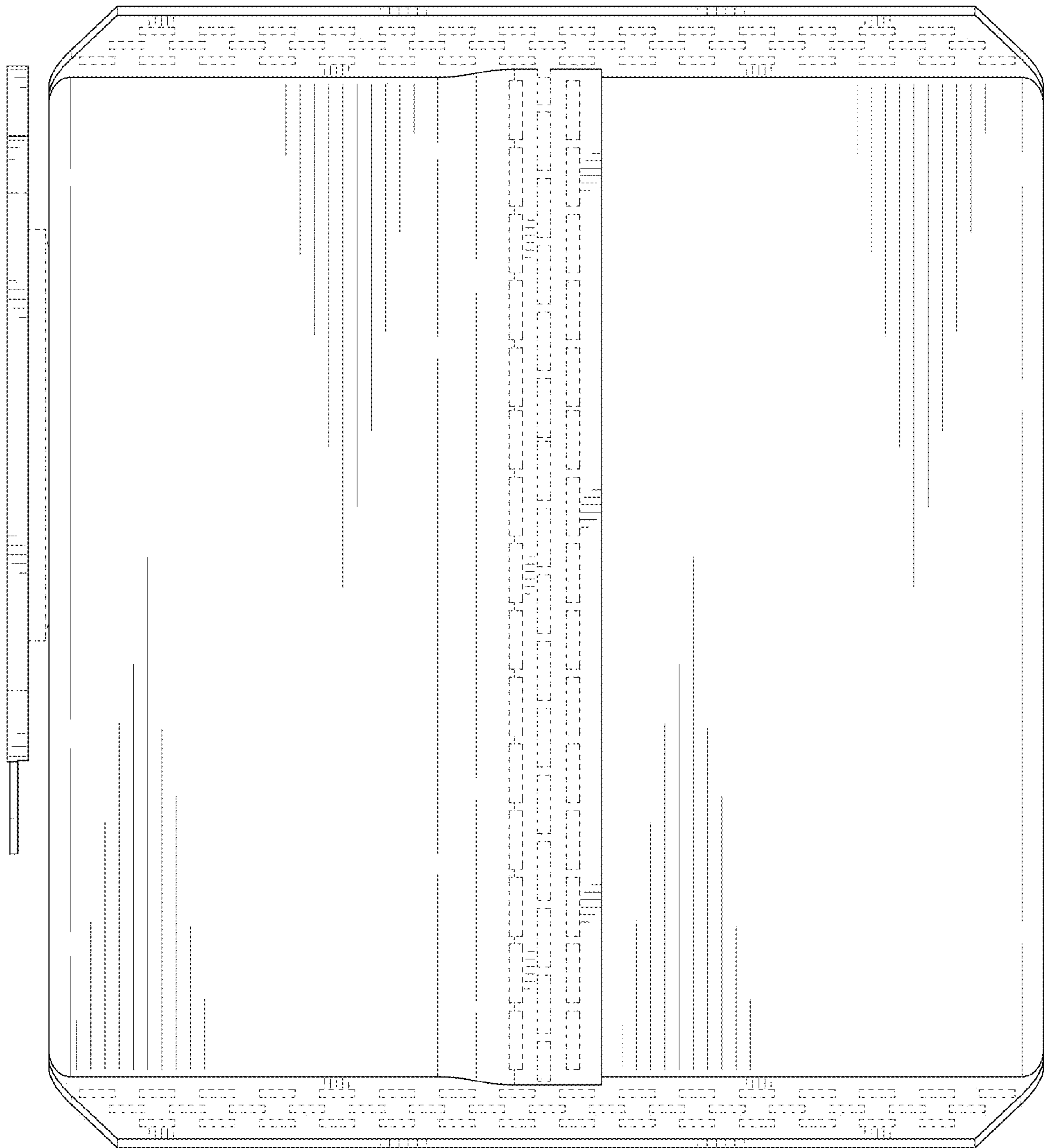


FIG. 6

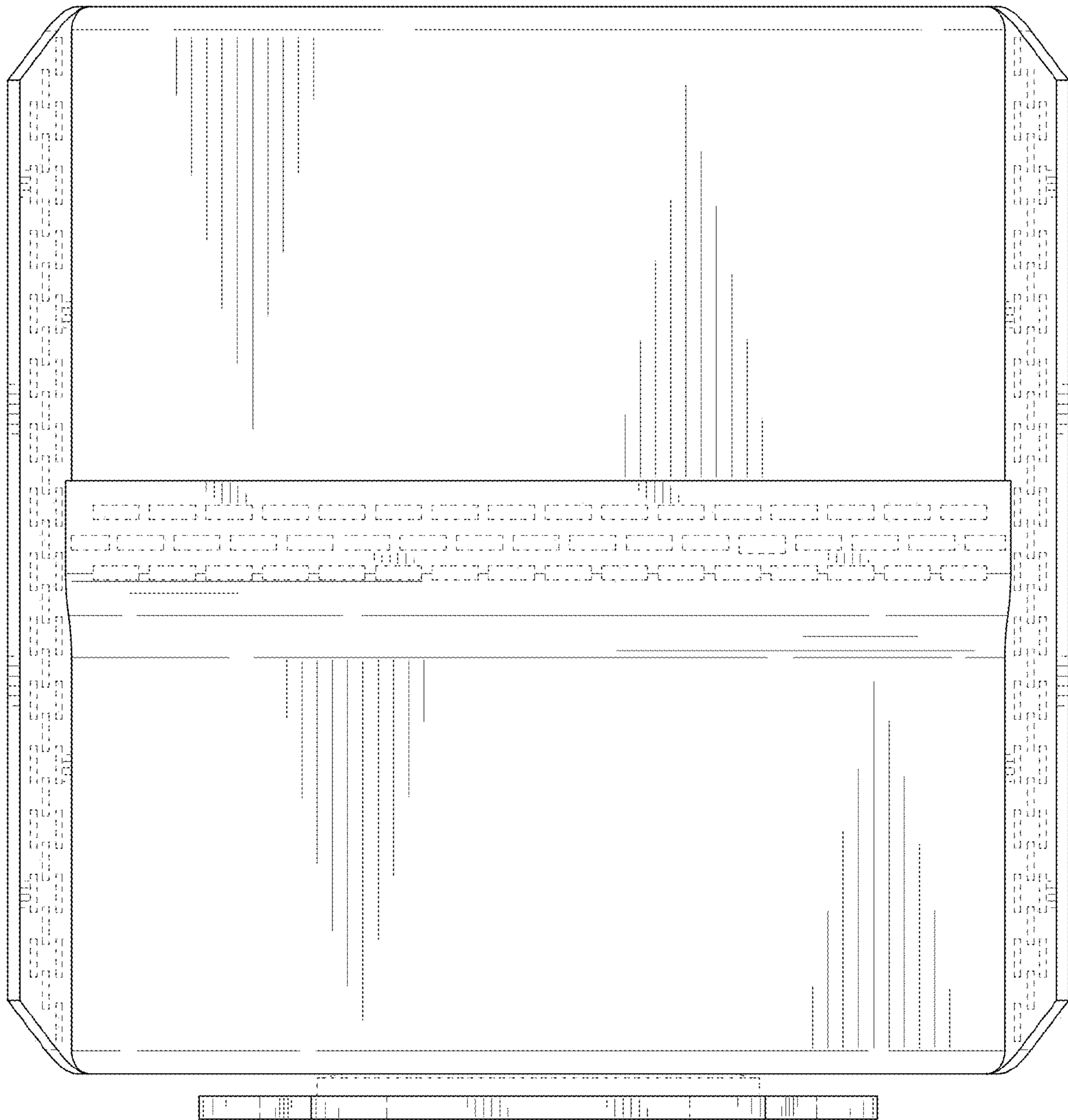


FIG. 7

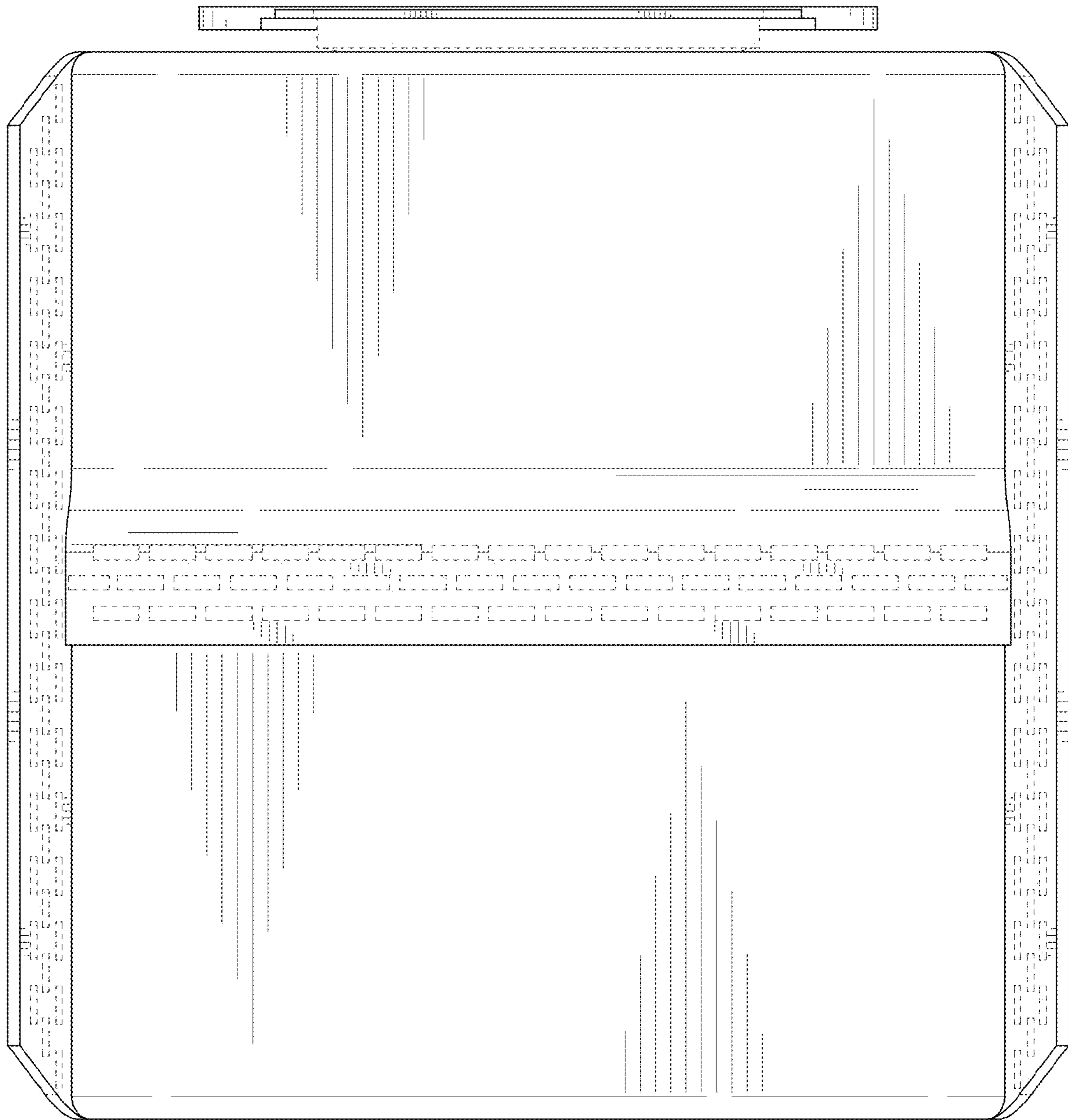


FIG. 8

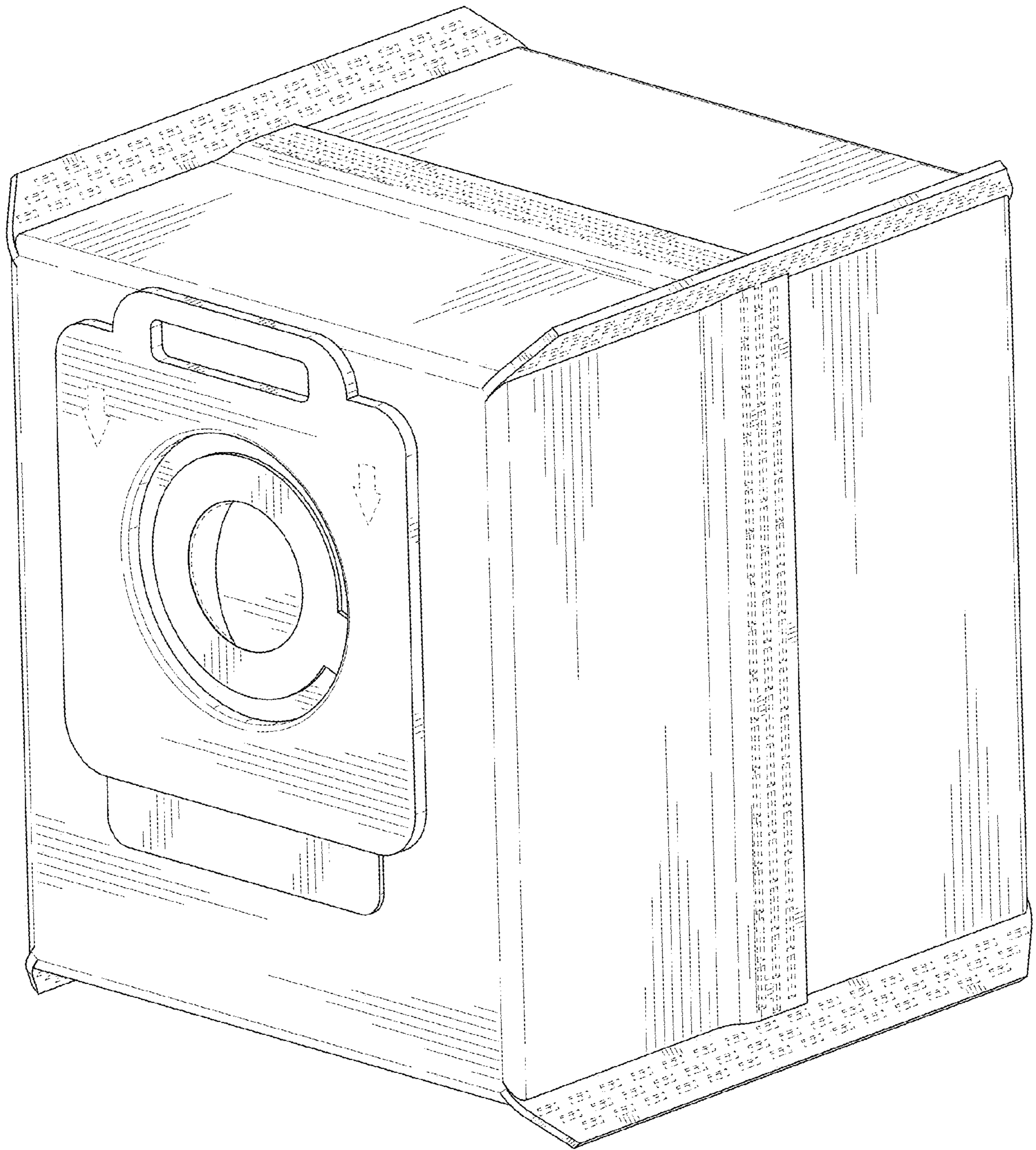


FIG. 9

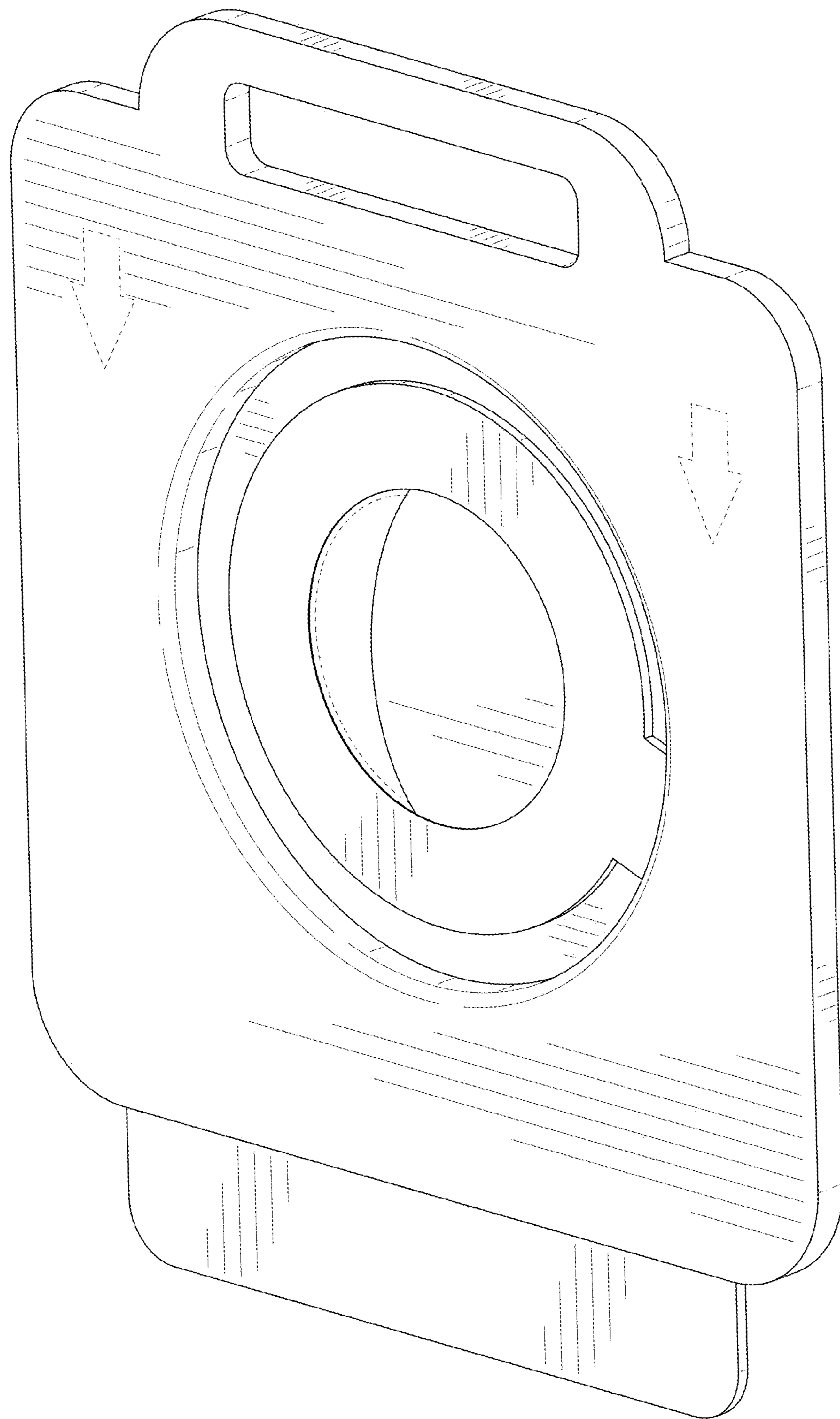


FIG. 10