



US00D981059S

(12) **United States Design Patent**
Johnson et al.

(10) **Patent No.:** **US D981,059 S**
(45) **Date of Patent:** **** Mar. 14, 2023**

(54) **ROBOT VACUUM CLEANER**

(71) Applicant: **SharkNinja Operating, LLC**,
Needham, MA (US)

(72) Inventors: **Owen R. Johnson**, Needham, MA
(US); **Richard Woessner**, Weymouth,
MA (US)

(73) Assignee: **SHARKNINJA OPERATING LLC**,
Needham, MA (US)

(**) Term: **15 Years**

(21) Appl. No.: **29/824,184**

(22) Filed: **Jan. 21, 2022**

(51) **LOC (14) Cl.** **15-05**

(52) **U.S. Cl.**
USPC **D32/21**

(58) **Field of Classification Search**
USPC D8/70; D15/199; D16/230; D32/1, 21,
D32/31

(Continued)

(56) **References Cited**

U.S. PATENT DOCUMENTS

D660,530 S * 5/2012 Geringer D32/21
D835,869 S * 12/2018 Li D32/21

(Continued)

FOREIGN PATENT DOCUMENTS

KR 301167661.0000 * 6/2022

OTHER PUBLICATIONS

Amazon.com_ Uoni V980Plus Robot Vacuum (Jan. 19, 2021)
https://www.amazon.com/Robot-Vacuum-Cleaner-Uoni-V980Plus/dp/B08TBWFR5M/ref=sr_1_4 (Year: 2021).*

(Continued)

Primary Examiner — Kevin K Rudzinski
Assistant Examiner — Richard E Yenchesky

(74) *Attorney, Agent, or Firm* — Grossman, Tucker,
Perreault & Pflieger, PLLC

(57) **CLAIM**

The ornamental design for a robot vacuum cleaner, as shown and described.

DESCRIPTION

FIG. 1 is a front view of a robot vacuum cleaner showing the claimed design;

FIG. 2 is a rear view of the robot vacuum cleaner of FIG. 1; FIG. 3 is a top view of the robot vacuum cleaner of FIG. 1; FIG. 4 is a bottom view of the robot vacuum cleaner of FIG. 1;

FIG. 5 is a left view of the robot vacuum cleaner of FIG. 1; FIG. 6 is a right view of the robot vacuum cleaner of FIG. 1;

FIG. 7 is a perspective front, top, right of the robot vacuum cleaner of FIG. 1;

FIG. 8 is a perspective front, top, left of the robot vacuum cleaner of FIG. 1;

FIG. 9 is a perspective rear, top, right of the robot vacuum cleaner of FIG. 1;

FIG. 10 is a perspective rear, top, left of the robot vacuum cleaner of FIG. 1;

FIG. 11 is a perspective front, bottom, right of the robot vacuum cleaner of FIG. 1;

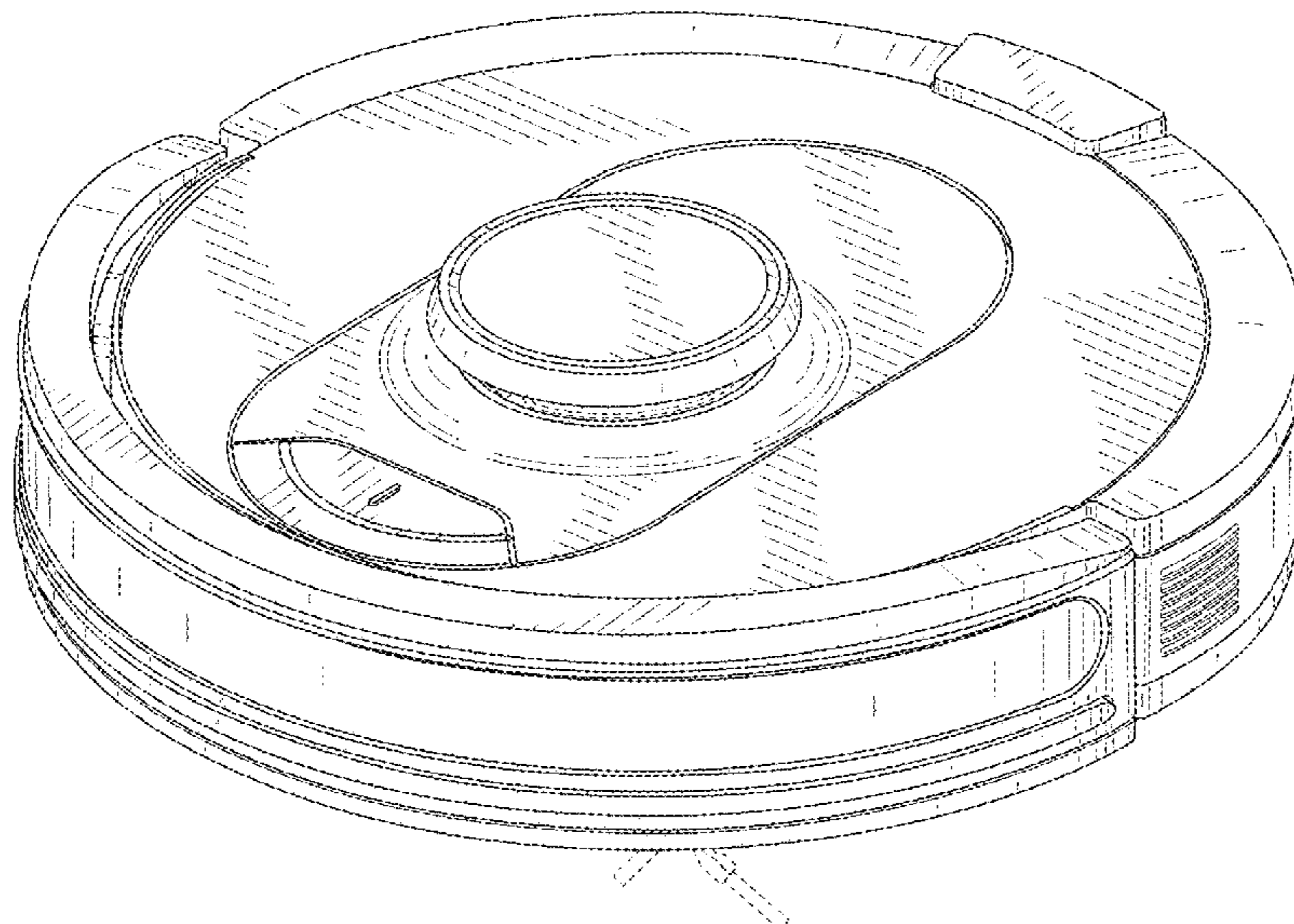
FIG. 12 is a perspective front, bottom, left of the robot vacuum cleaner of FIG. 1;

FIG. 13 is a perspective rear, bottom, right of the robot vacuum cleaner of FIG. 1; and,

FIG. 14 is a perspective rear, bottom, left of the robot vacuum cleaner of FIG. 1.

The broken lines in the drawings depict unclaimed subject matter that forms no part of the claimed design.

1 Claim, 12 Drawing Sheets



(58) **Field of Classification Search**

CPC A47L 9/009; A47L 2201/00; A47L 13/10;
A47L 13/00; A47L 11/32; A47L 11/24;
A47L 11/00; A47L 11/02

See application file for complete search history.

(56) **References Cited**

U.S. PATENT DOCUMENTS

D903,961	S	*	12/2020	Li	D32/21
D906,608	S	*	12/2020	Li	D32/21
D917,809	S	*	4/2021	Kim	D32/21
D926,400	S	*	7/2021	Kim	D32/21
D932,123	S	*	9/2021	Li	D32/21
D932,718	S	*	10/2021	Yan	D32/21
D947,473	S	*	3/2022	Chei	D32/21
D948,143	S	*	4/2022	Pearce	D32/21
D955,073	S	*	6/2022	Tan	D32/21
2019/0069744	A1	*	3/2019	Liggett	A47L 9/009
2021/0093146	A1	*	4/2021	Pastore	A47L 9/2889

OTHER PUBLICATIONS

Amazon.com_ Shark AI Ultra Robot Vacuum https://www.amazon.com/Shark-AV2501S-Self-Empty-Navigation-UltraClean/dp/B09H8CWFNK/ref=psdc_3743521_t1_B08QZVSC8D?th=1 (Year: 2021).*

* cited by examiner

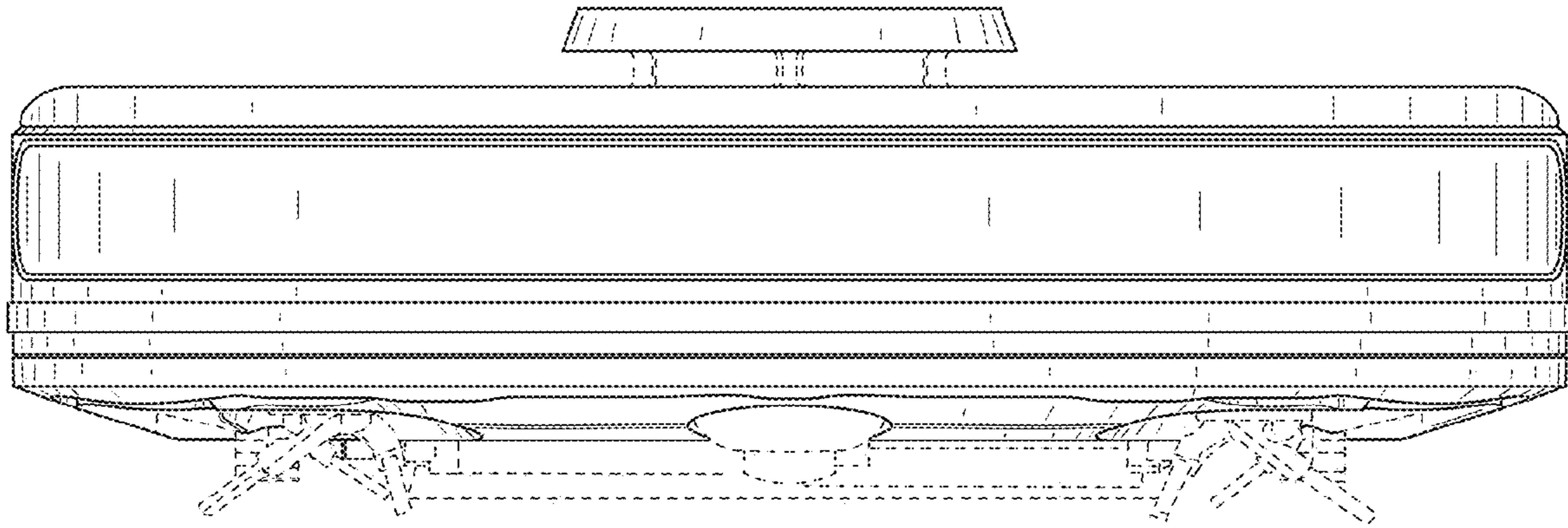


FIG. 1

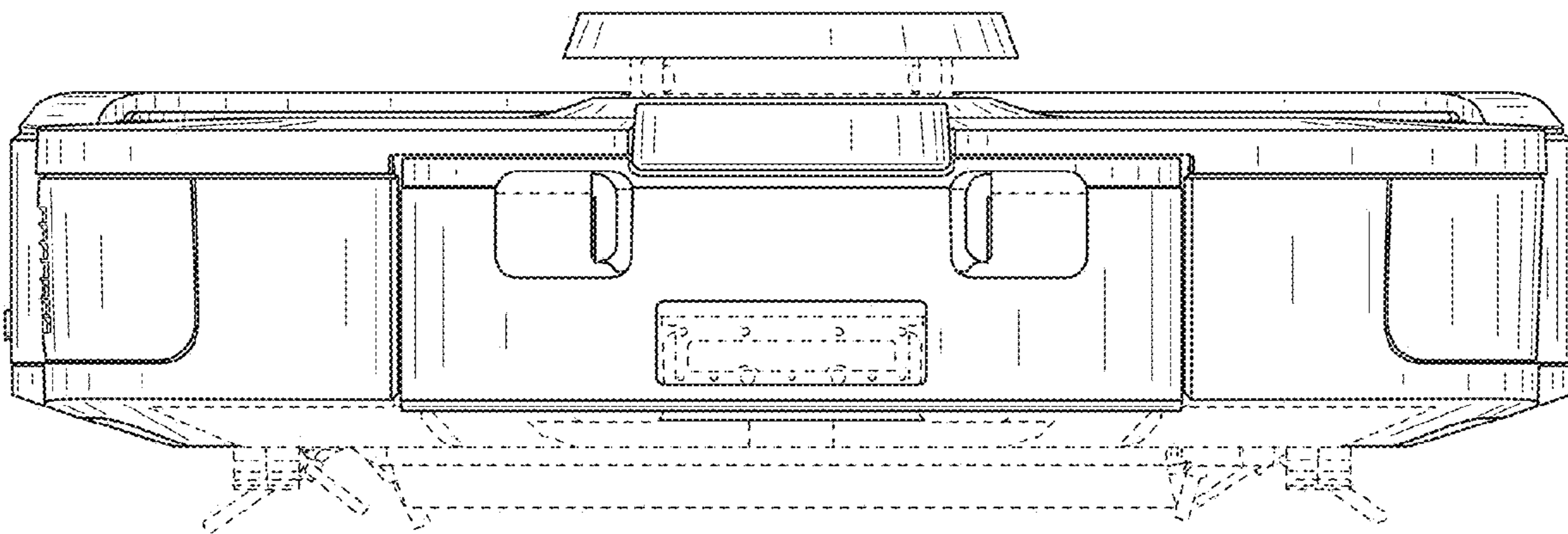


FIG. 2

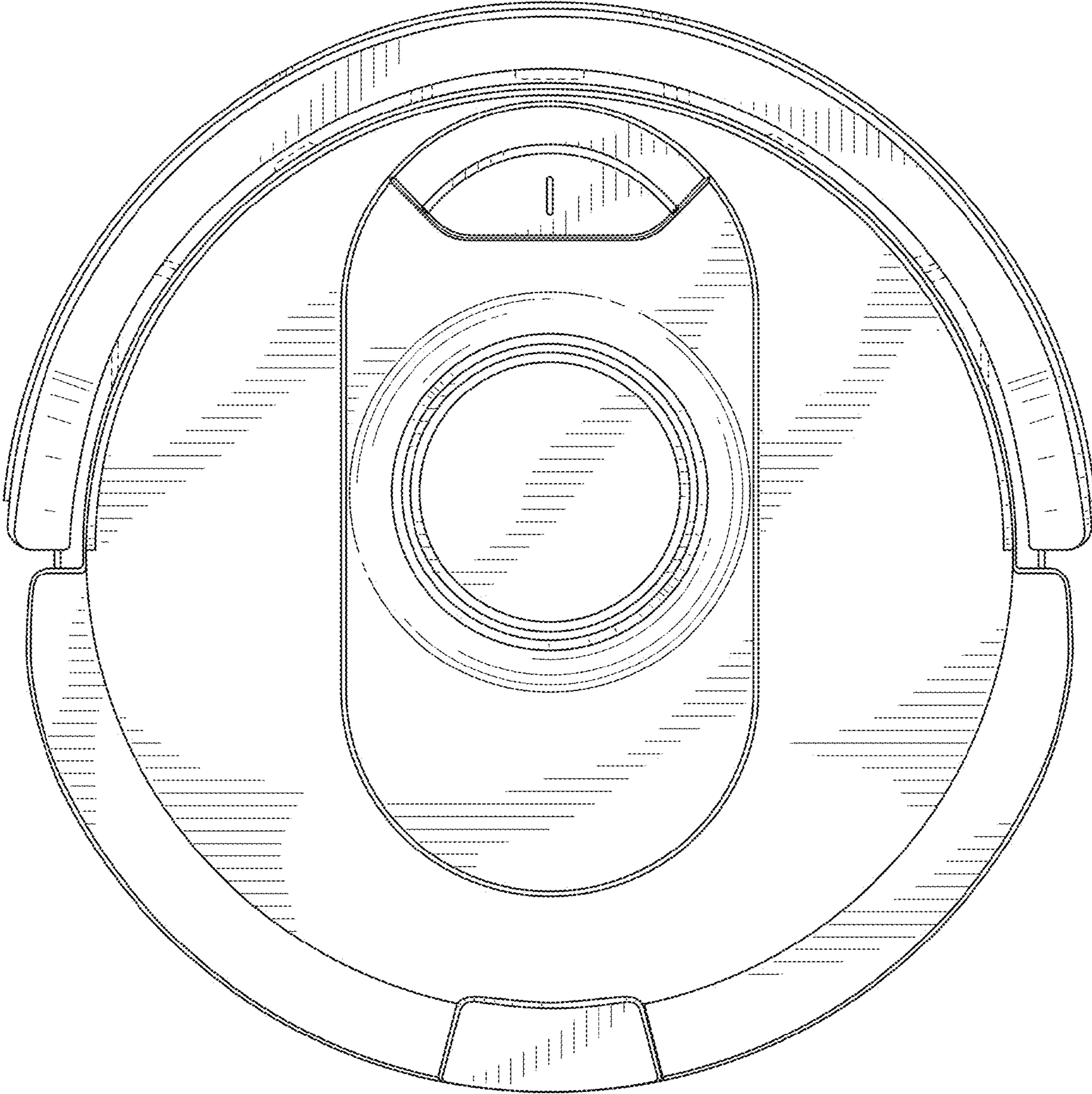


FIG. 3

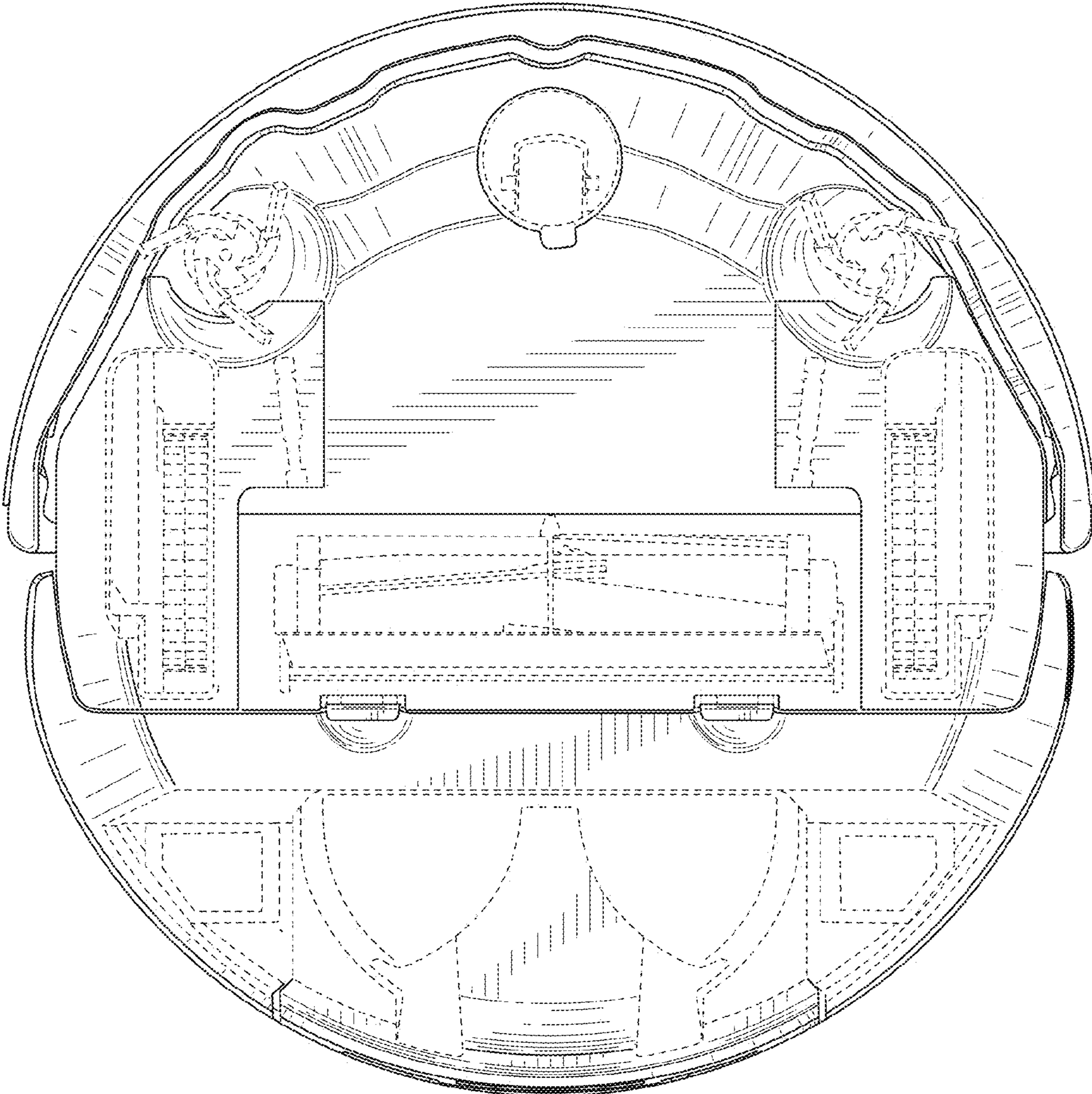


FIG. 4

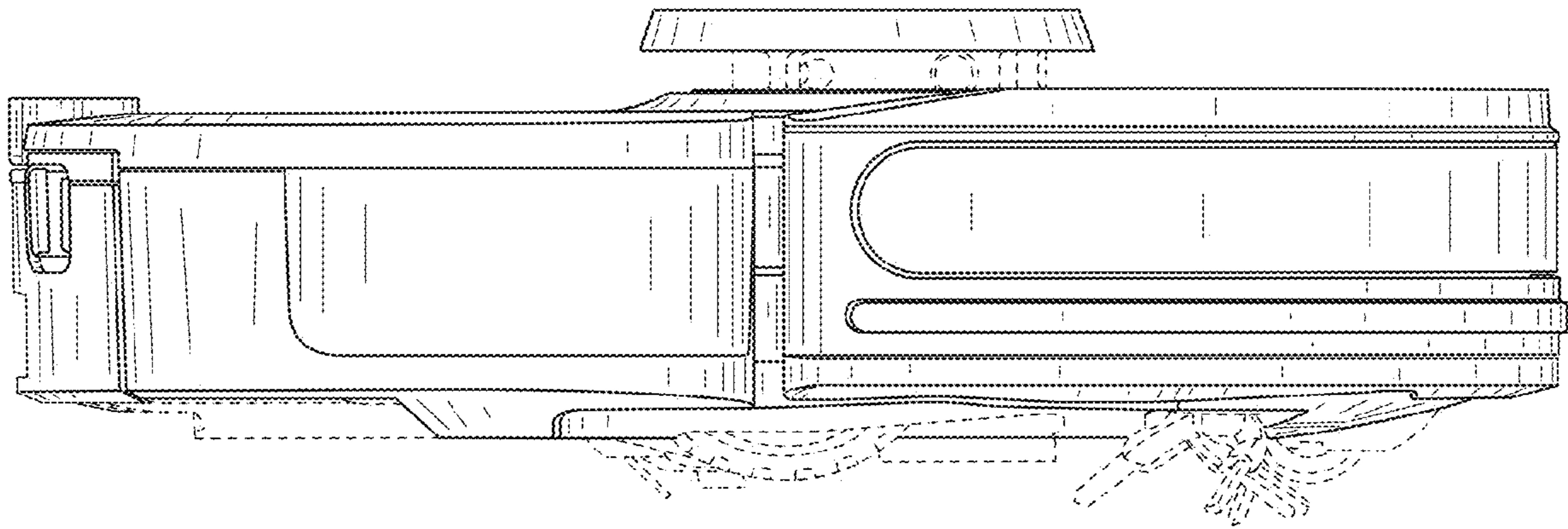


FIG. 5

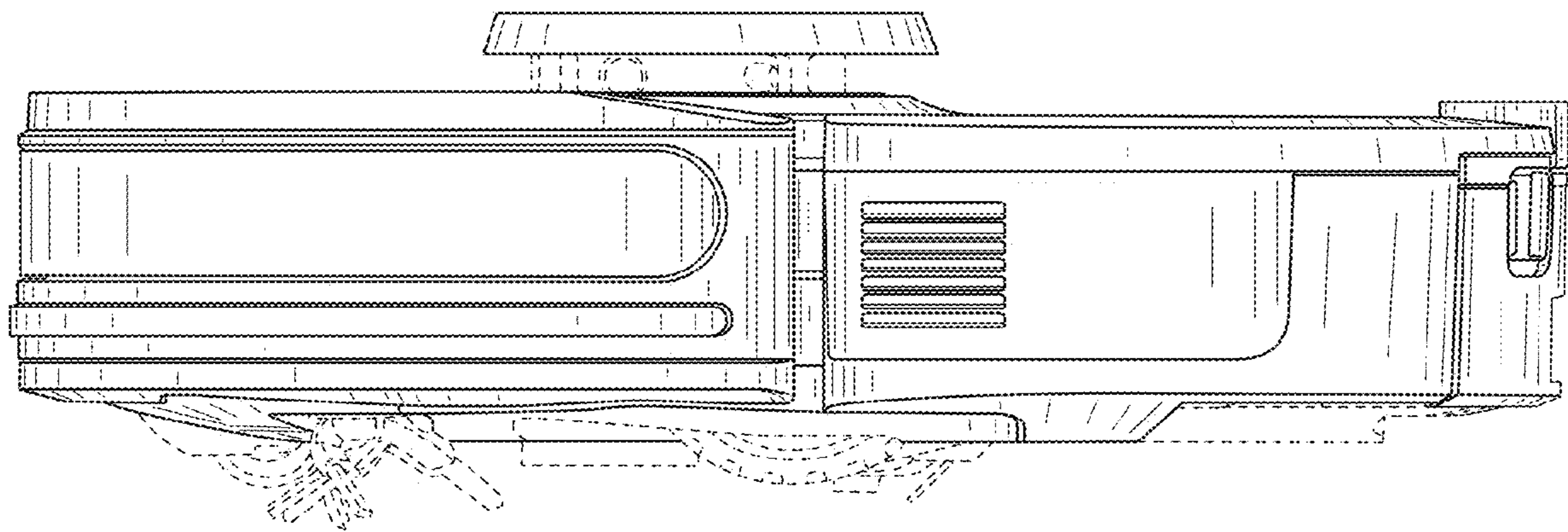


FIG. 6

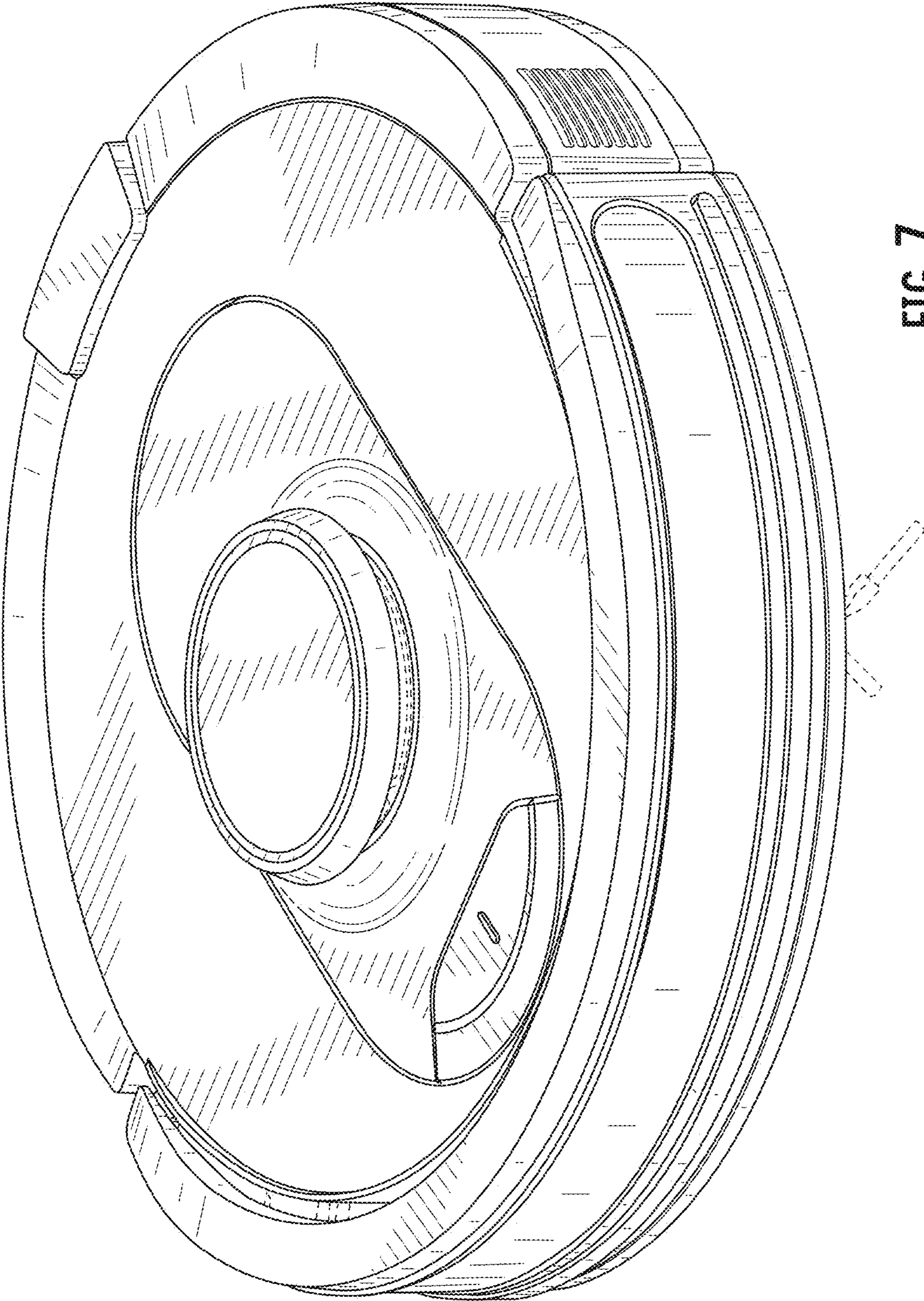


FIG. 7

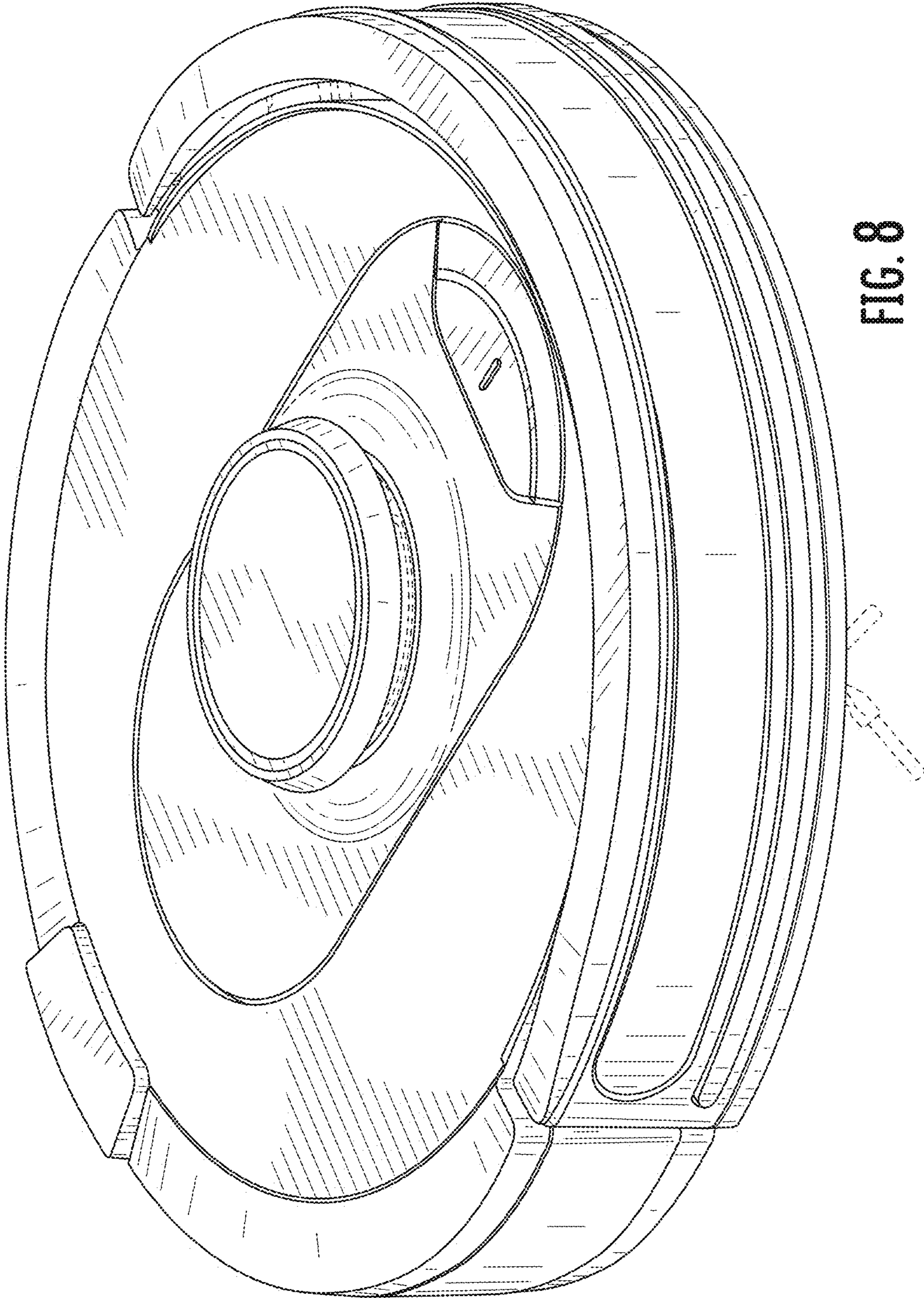


FIG. 8

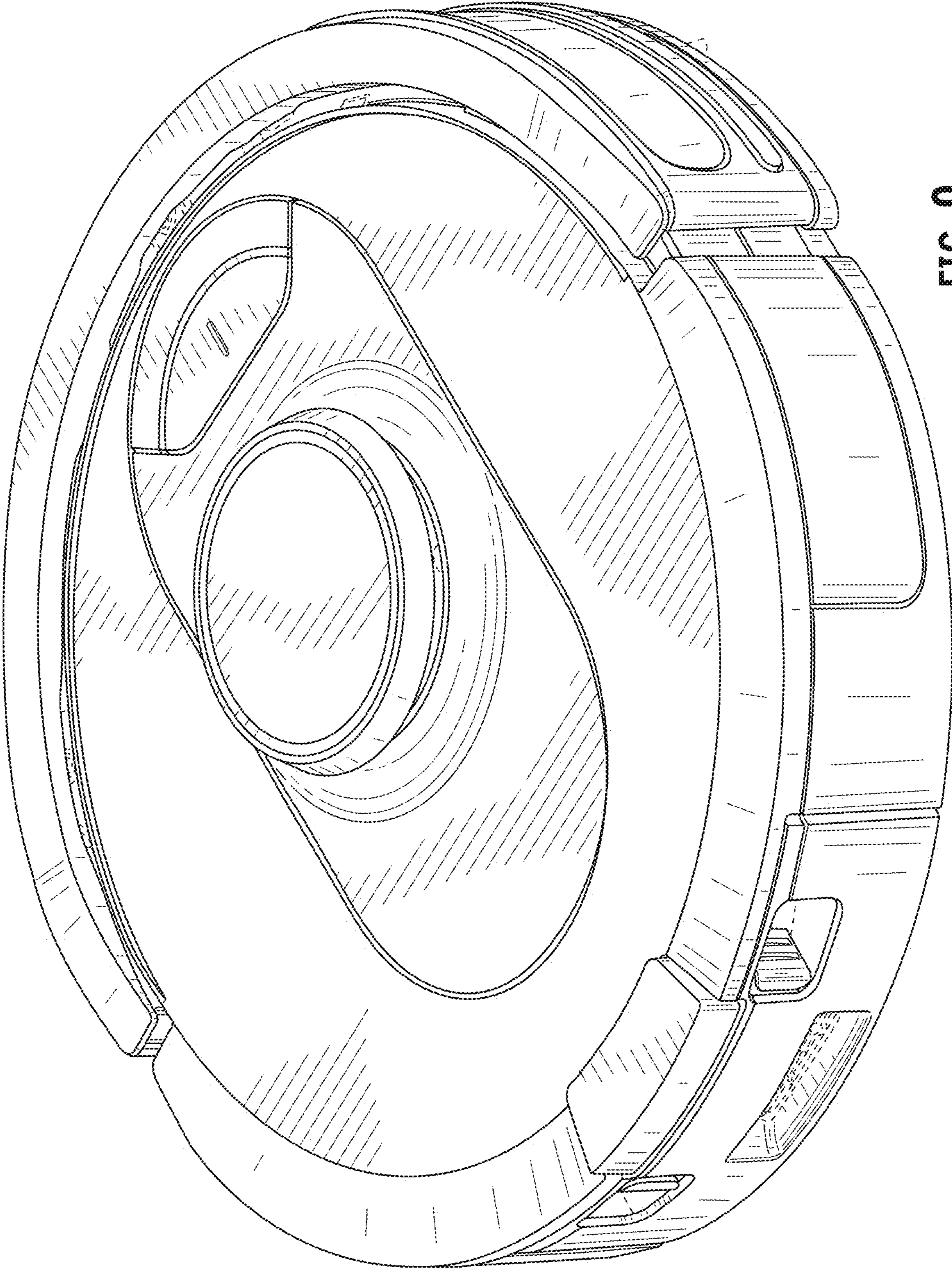


FIG. 9

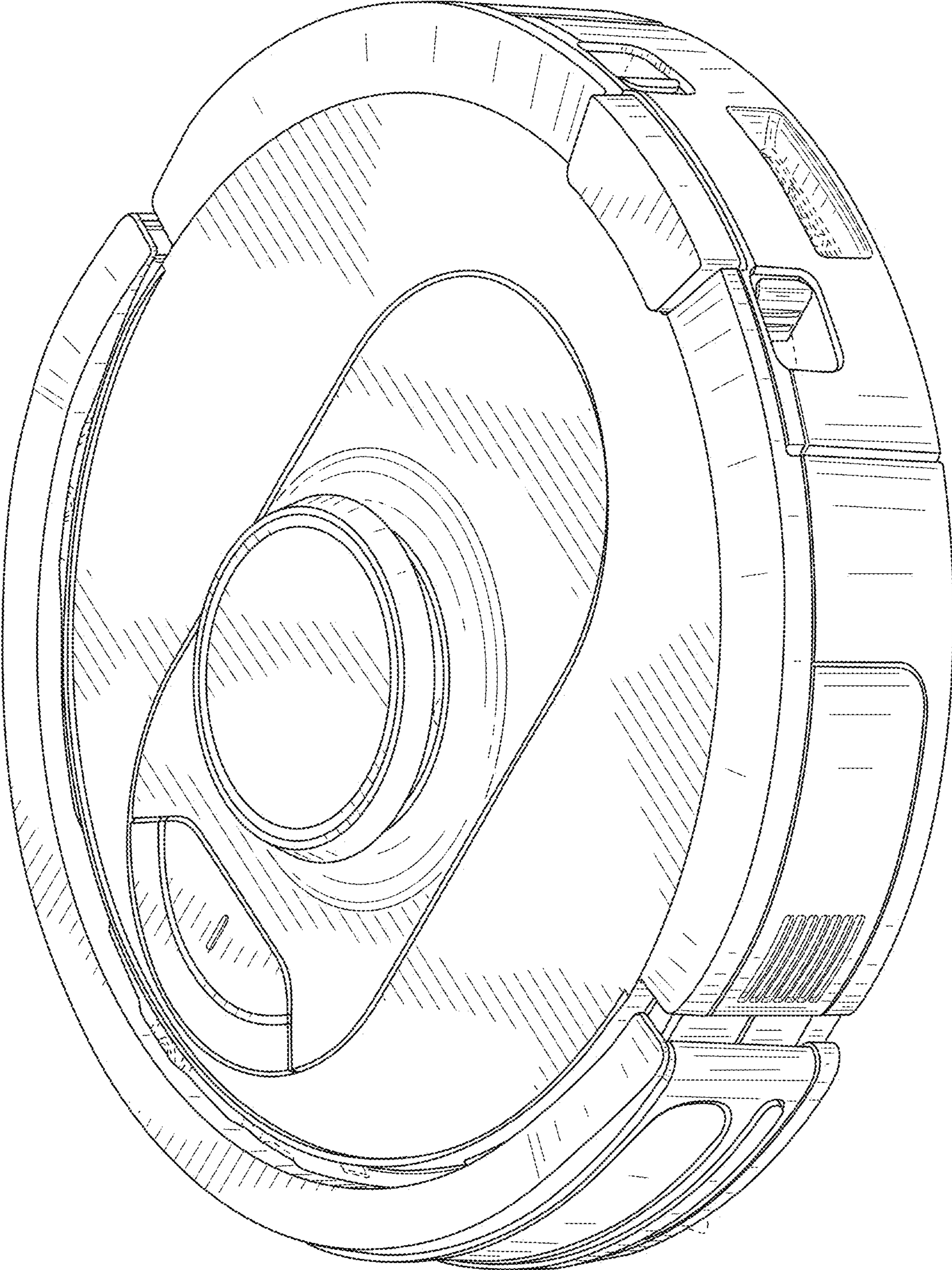


FIG. 10

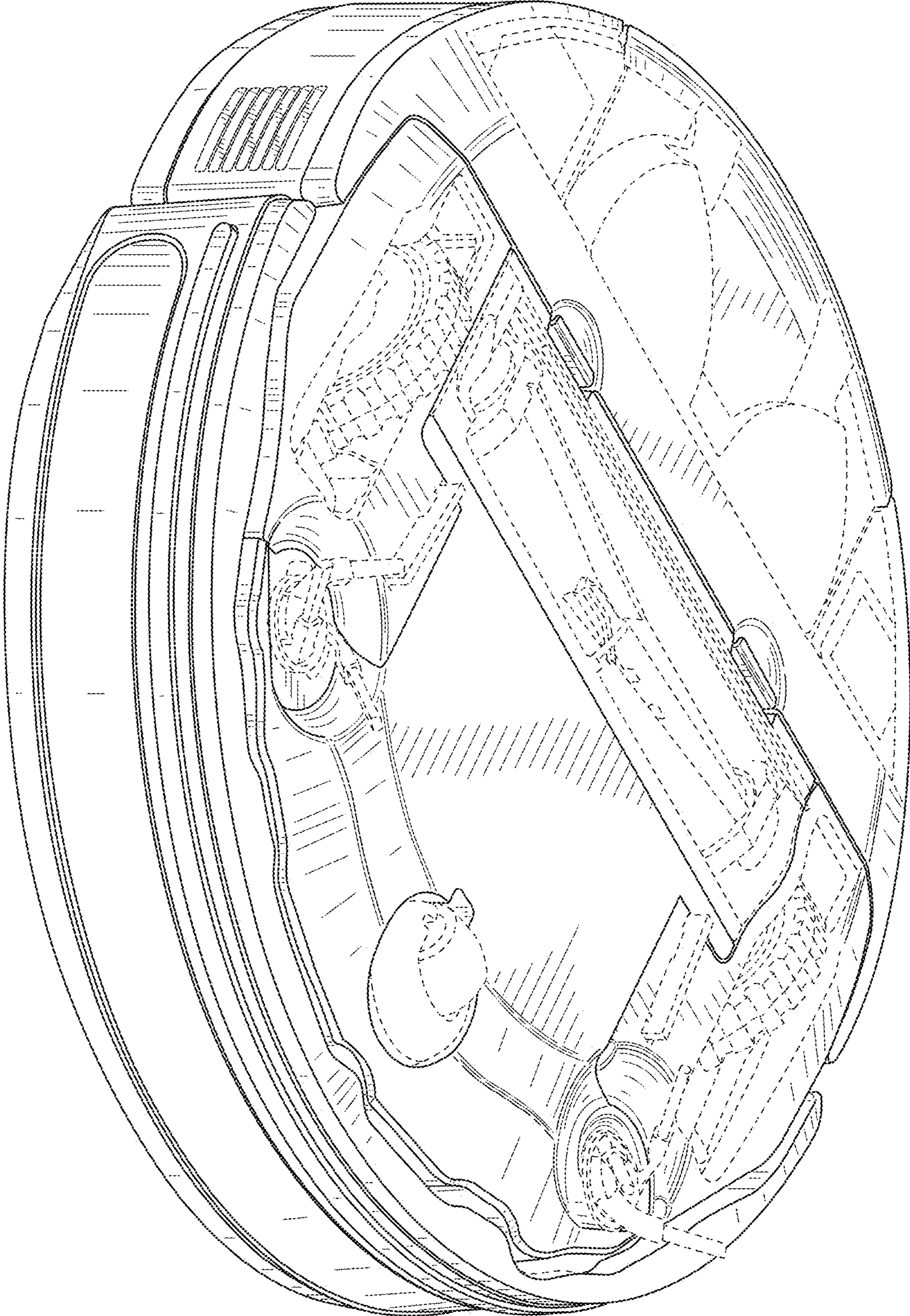


FIG. 11

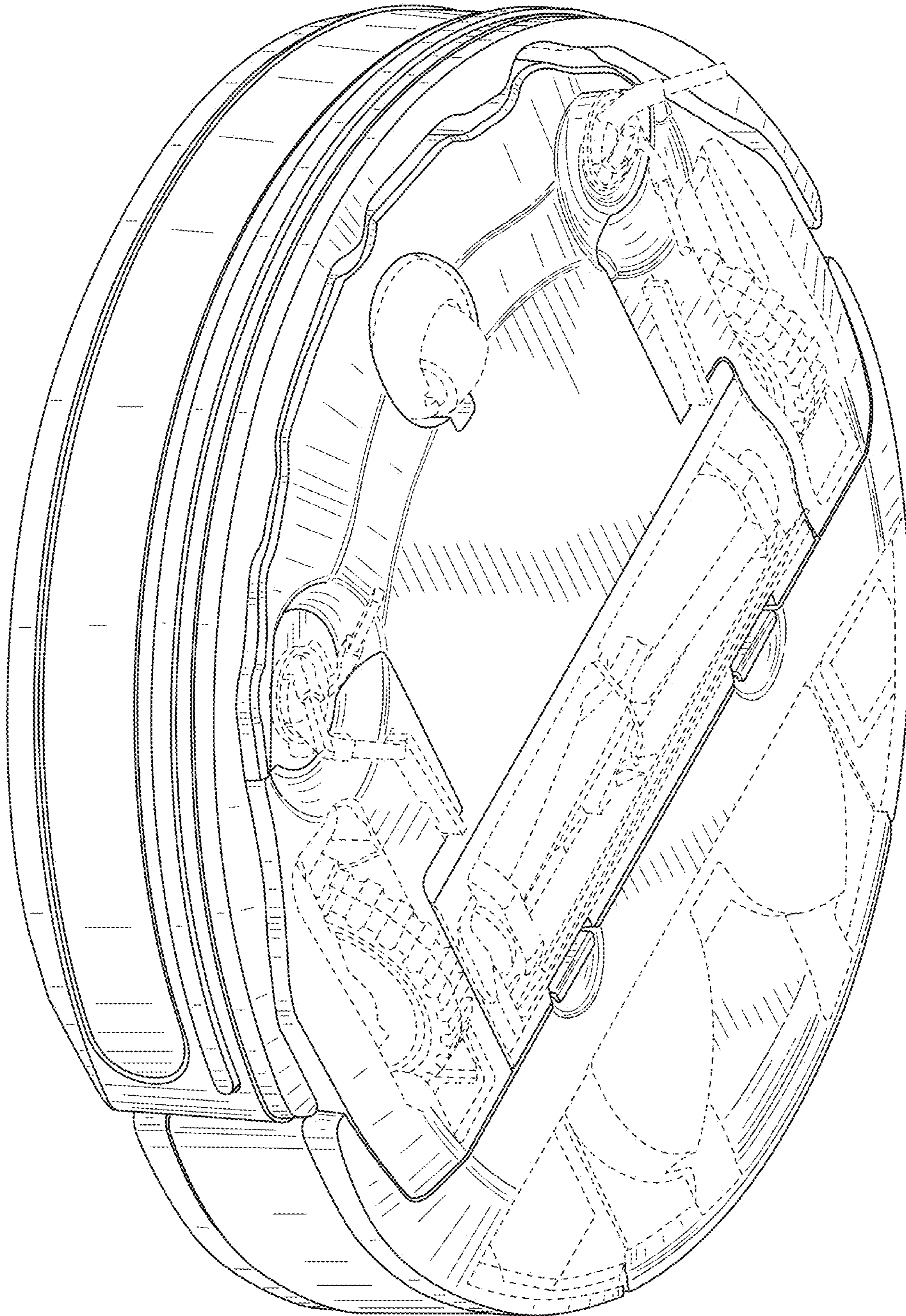


FIG. 12

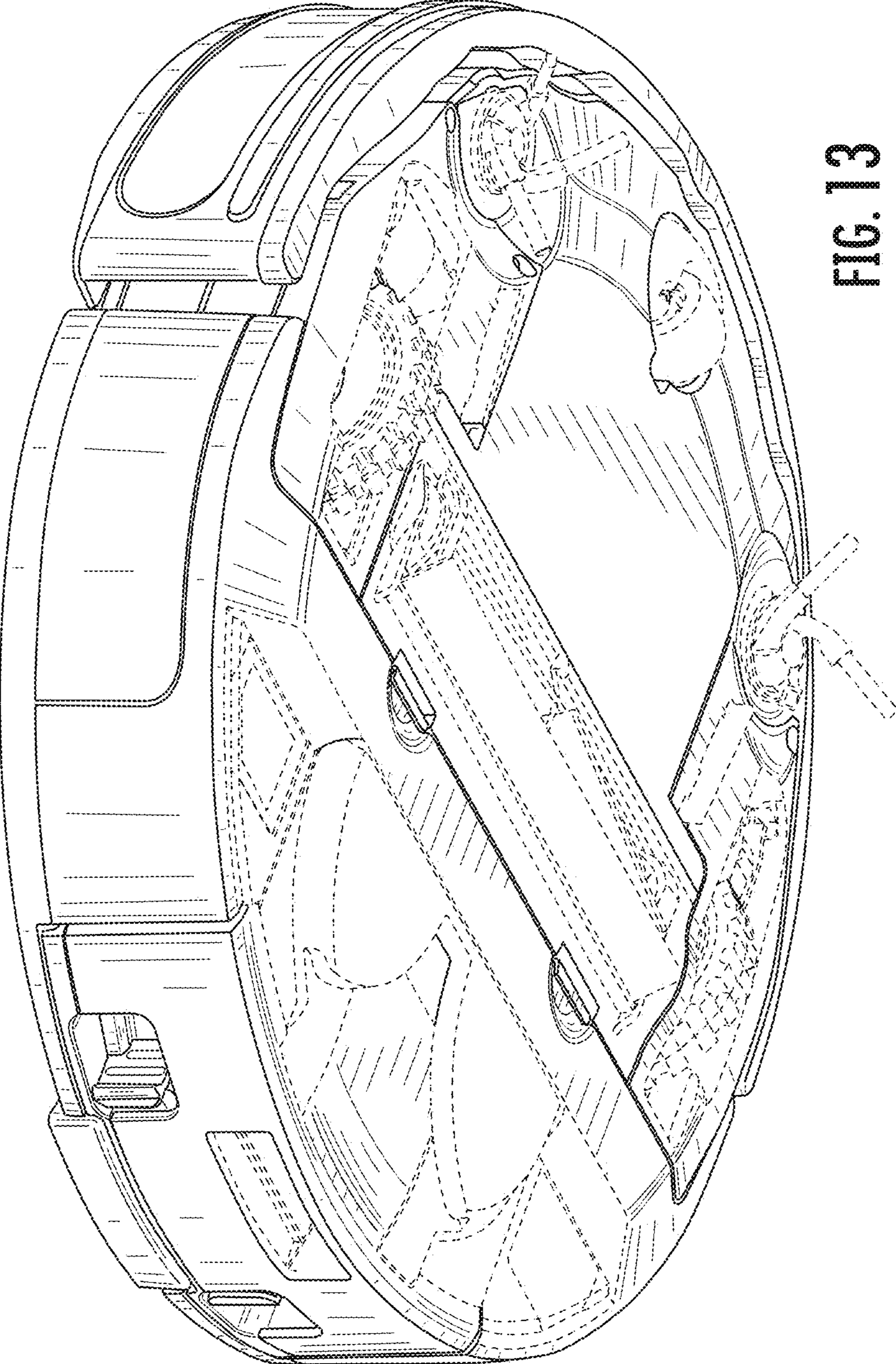


FIG. 13

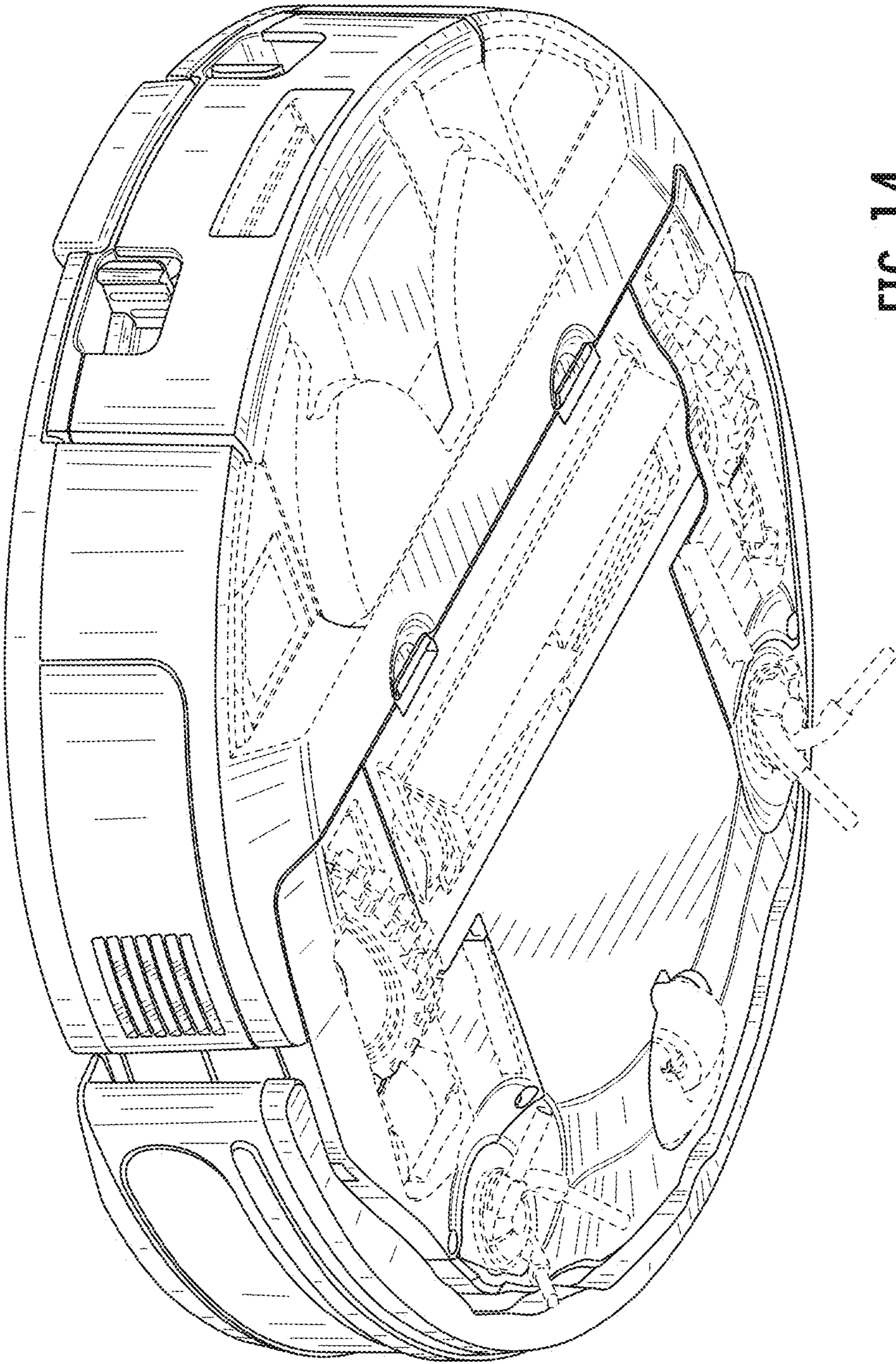


FIG. 14