



US00D981058S

(12) **United States Design Patent**  
**Hwang et al.**

(10) **Patent No.:** **US D981,058 S**  
(45) **Date of Patent:** **\*\* Mar. 14, 2023**

(54) **WASHING MACHINE**

FOREIGN PATENT DOCUMENTS

(71) Applicant: **SAMSUNG ELECTRONICS CO., LTD.**, Suwon-si (KR)

EM 001852864-0004 4/2011  
EM 002175778-0001 1/2013

(Continued)

(72) Inventors: **Junghoon Hwang**, Suwon-si (KR);  
**Junguk Shin**, Suwon-si (KR); **Suyeon Park**, Suwon-si (KR); **Sanghoon Yoon**, Suwon-si (KR); **Hyunwoo Yoon**, Suwon-si (KR)

OTHER PUBLICATIONS

Samsung Bespoke 5.3 cu. ft. Ultra-Capacity Smart Front Load Washer, available in [www.homedepot.com](http://www.homedepot.com), customer review oldest date Aug. 5, 2022 [online], [site visited Oct. 20, 2022] Available from the internet URL: <https://www.homedepot.com/p/Samsung-Bespoke-5-3-cu-ft-Ultra-Capacity-Smart-Front-Load-Washer-in-Brushed-Navy-with-AI-OptiWash-and-Auto-Dispense-WF53BB8900AD/320703580> (Year: 2022).\*

(73) Assignee: **SAMSUNG ELECTRONICS CO., LTD.**, Gyeonggi-Do (KR)

(\*\*) Term: **15 Years**

*Primary Examiner* — Jennifer Rivard  
*Assistant Examiner* — Jennylou M Binas

(21) Appl. No.: **29/786,711**

(74) *Attorney, Agent, or Firm* — Cantor Colburn LLP

(22) Filed: **Jun. 2, 2021**

(30) **Foreign Application Priority Data**

Mar. 12, 2021 (KR) ..... 30-2021-0012081

(51) **LOC (14) Cl.** ..... **15-05**

(52) **U.S. Cl.**  
USPC ..... **D32/6**

(58) **Field of Classification Search**  
USPC ..... D32/1, 5-6, 8, 10, 12-13, 25, 31;  
D21/526

CPC ..... D06F 13/00; D06F 19/00; D06F 21/00;  
D06F 25/00; D06F 23/00; D06F 23/04;  
D06F 27/00; D06F 29/00; D06F 35/007;  
D06F 37/02; D06F 37/04; D06F 37/22;  
D06F 37/26; D06F 37/36; D06F 39/02;

(Continued)

(56) **References Cited**

U.S. PATENT DOCUMENTS

D177,010 S \* 3/1956 Boldt ..... D32/6  
D186,996 S \* 1/1960 Romme ..... D32/6

(Continued)

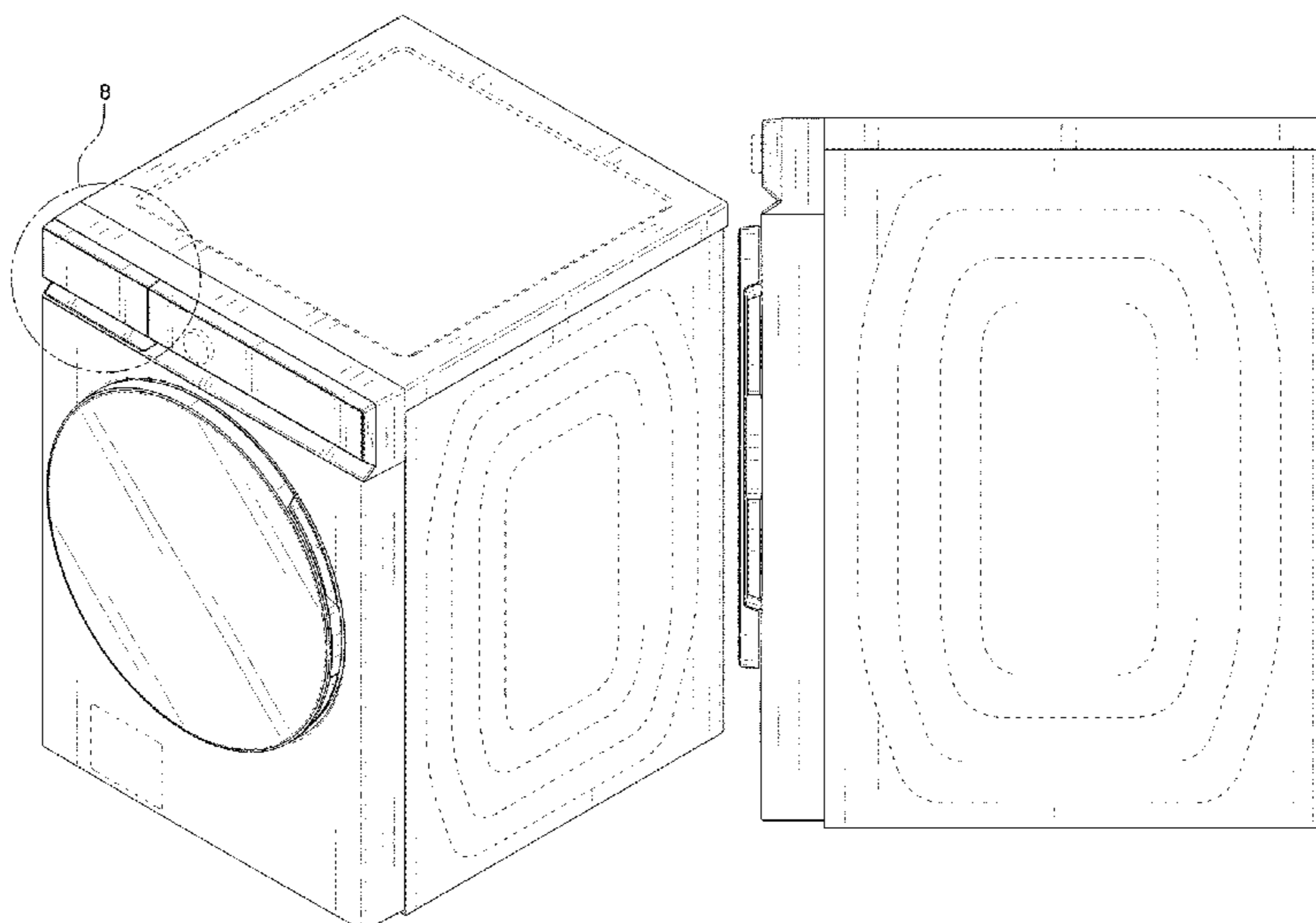
(57) **CLAIM**

The ornamental design for a washing machine, as shown and described.

**DESCRIPTION**

FIG. 1 is a front perspective view of a washing machine, showing our new design;  
FIG. 2 is a front view thereof;  
FIG. 3 is a rear view thereof;  
FIG. 4 is a left-side view thereof;  
FIG. 5 is a right-side view thereof;  
FIG. 6 is a top view thereof;  
FIG. 7 is a bottom view thereof;  
FIG. 8 is an enlarged view of the portion 8 in FIG. 1;  
FIG. 9 is an enlarged view of the portion 9 in FIG. 4;  
FIG. 10 is an enlarged view of the portion 10 in FIG. 6; and,  
FIG. 11 is an enlarged view of the portion 11 in FIG. 7.  
The even-dash broken lines illustrating portions of the washing machine form no part of the claimed design. The dot-dot-dash broken lines encircling enlarged portions of the claimed design form no part of the claimed design.

**1 Claim, 11 Drawing Sheets**



(58) **Field of Classification Search**  
 CPC ..... D06F 39/12; D06F 39/14; D06F 39/087;  
                   D06F 95/00; D06F 2103/24; A47L  
   2501/22  
 See application file for complete search history.

(56) **References Cited**

U.S. PATENT DOCUMENTS

D528,713	S	*	9/2006	Ha	.....	D32/6
D537,577	S	*	2/2007	Nam	.....	D32/6
D551,402	S	*	9/2007	Jung	.....	D32/8
D565,809	S	*	4/2008	Eicher	.....	D32/6
D589,661	S	*	3/2009	Oh	.....	D32/6
D610,758	S	*	2/2010	Yalcin	.....	D32/6
D620,650	S	*	7/2010	Lee	.....	D32/6
D622,916	S	*	8/2010	Lee	.....	D32/6
D625,889	S	*	10/2010	Lee	.....	D32/6
D688,013	S	*	8/2013	Kim	.....	D32/6
D700,409	S		2/2014	Takahashi		
D703,883	S	*	4/2014	Ha	.....	D32/6

D703,885	S	*	4/2014	Ha	.....	D32/6
D708,799	S	*	7/2014	Choi	.....	D32/6
D731,126	S	*	6/2015	Ha	.....	D32/6
D732,763	S	*	6/2015	Hwang	.....	D32/6
D773,757	S	*	12/2016	Hwang	.....	D32/6
D798,004	S		9/2017	Bixby et al.		
D816,925	S		5/2018	Bixby et al.		
D827,230	S	*	8/2018	Ha	.....	D32/6
D848,687	S	*	5/2019	Kim	.....	D32/8
D858,014	S	*	8/2019	Kim	.....	D32/6
10,640,907	B2	*	5/2020	Pillot	.....	D06F 37/264
D919,206	S	*	5/2021	Lee	.....	D32/6
11,066,779	B2	*	7/2021	Kim	.....	D06F 58/10
11,242,644	B2	*	2/2022	Buso	.....	D06F 39/14
11,396,724	B2	*	7/2022	Yoo	.....	D06F 58/08

FOREIGN PATENT DOCUMENTS

EM	002175943-0001		1/2013	
WO	D223603-001	*	9/2022	

\* cited by examiner

FIG. 1

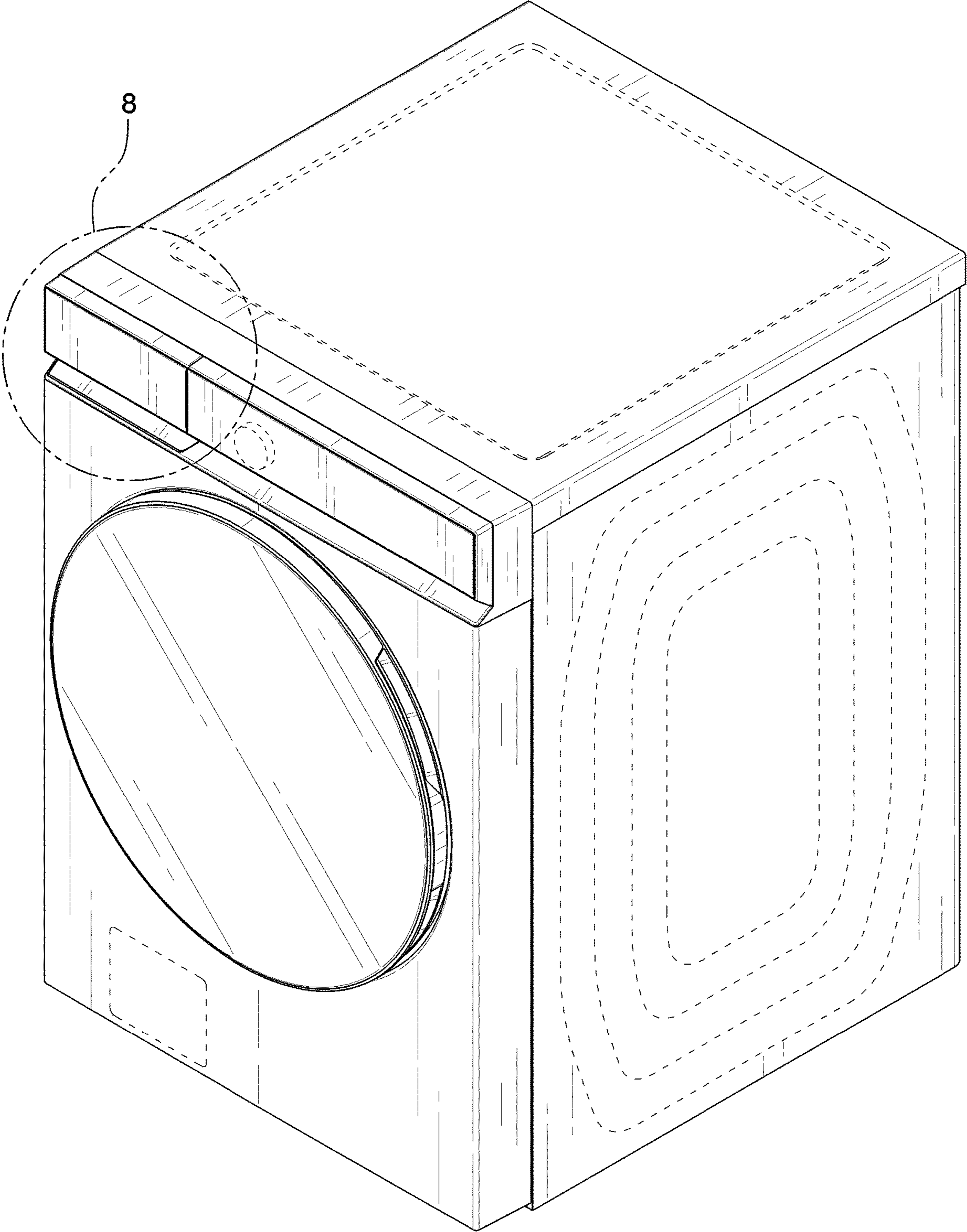


FIG. 2

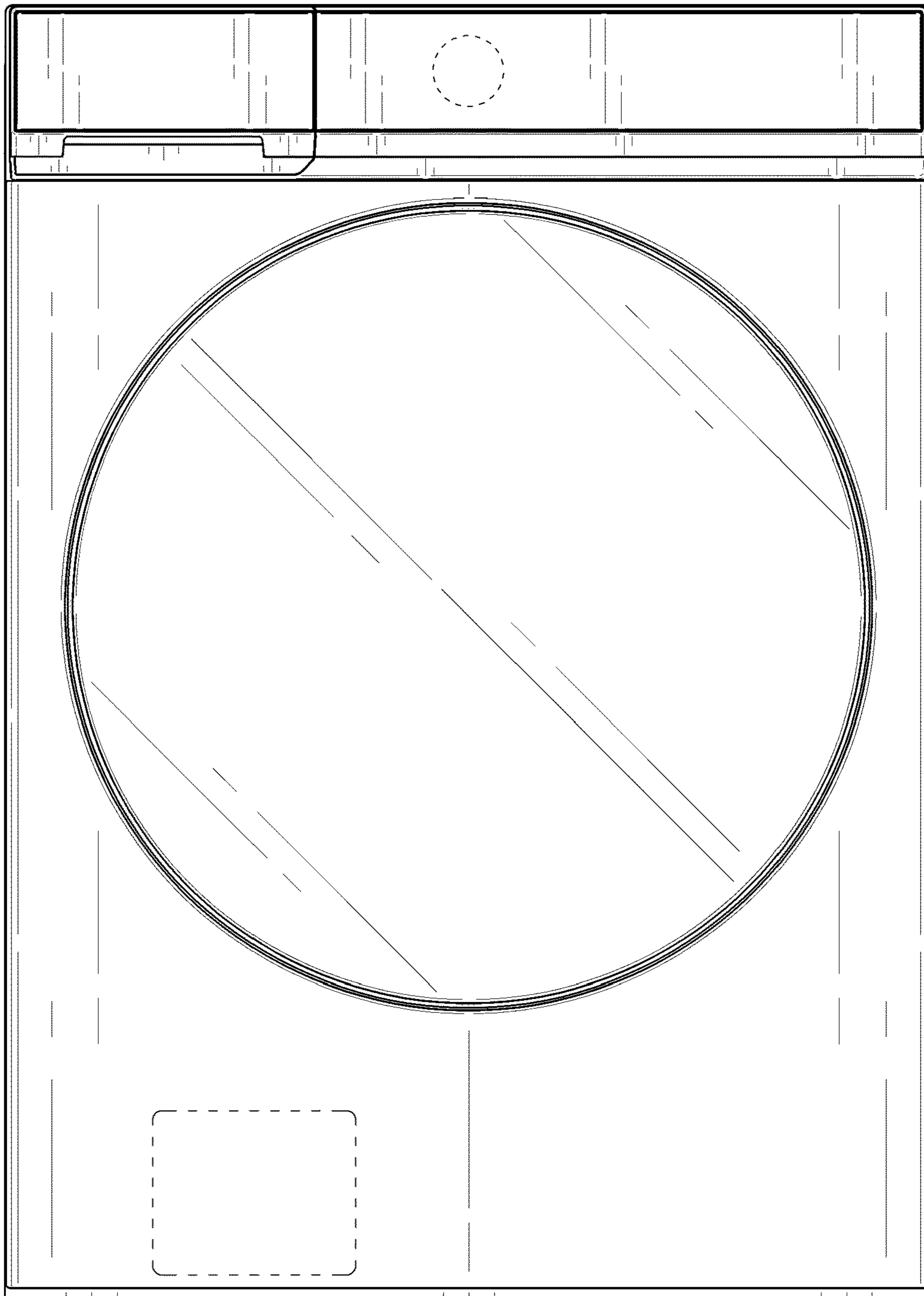


FIG. 3

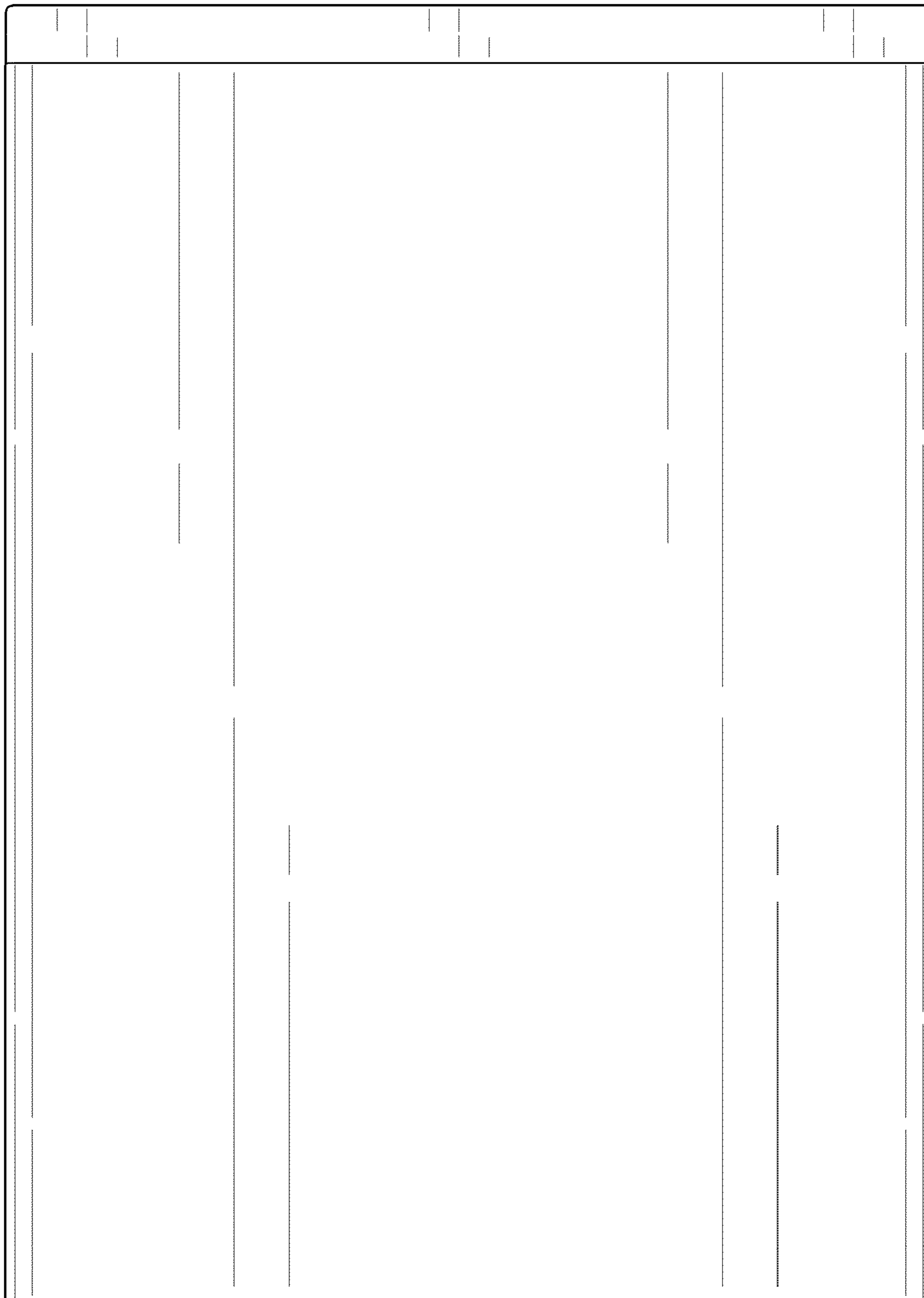


FIG. 4

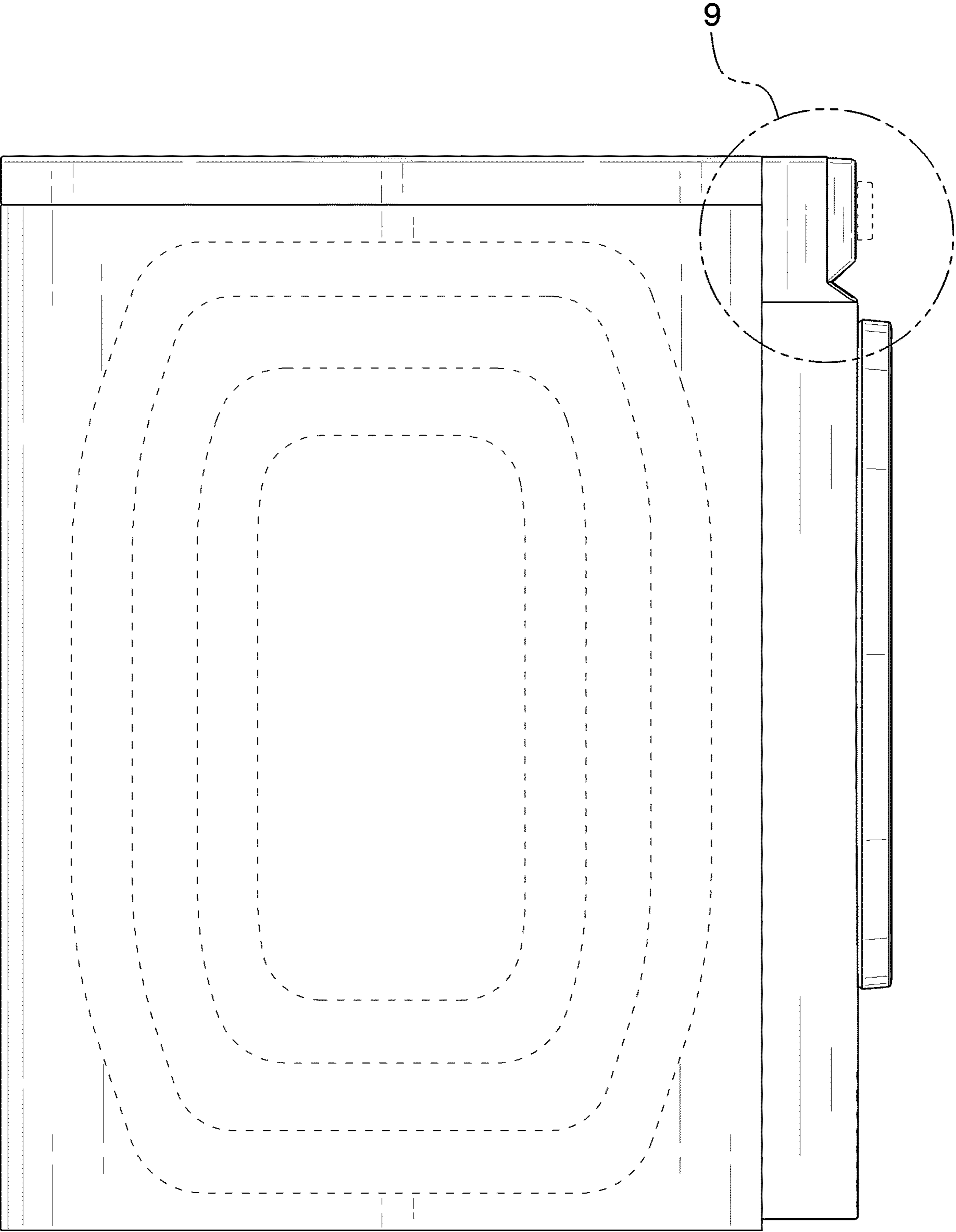


FIG. 5

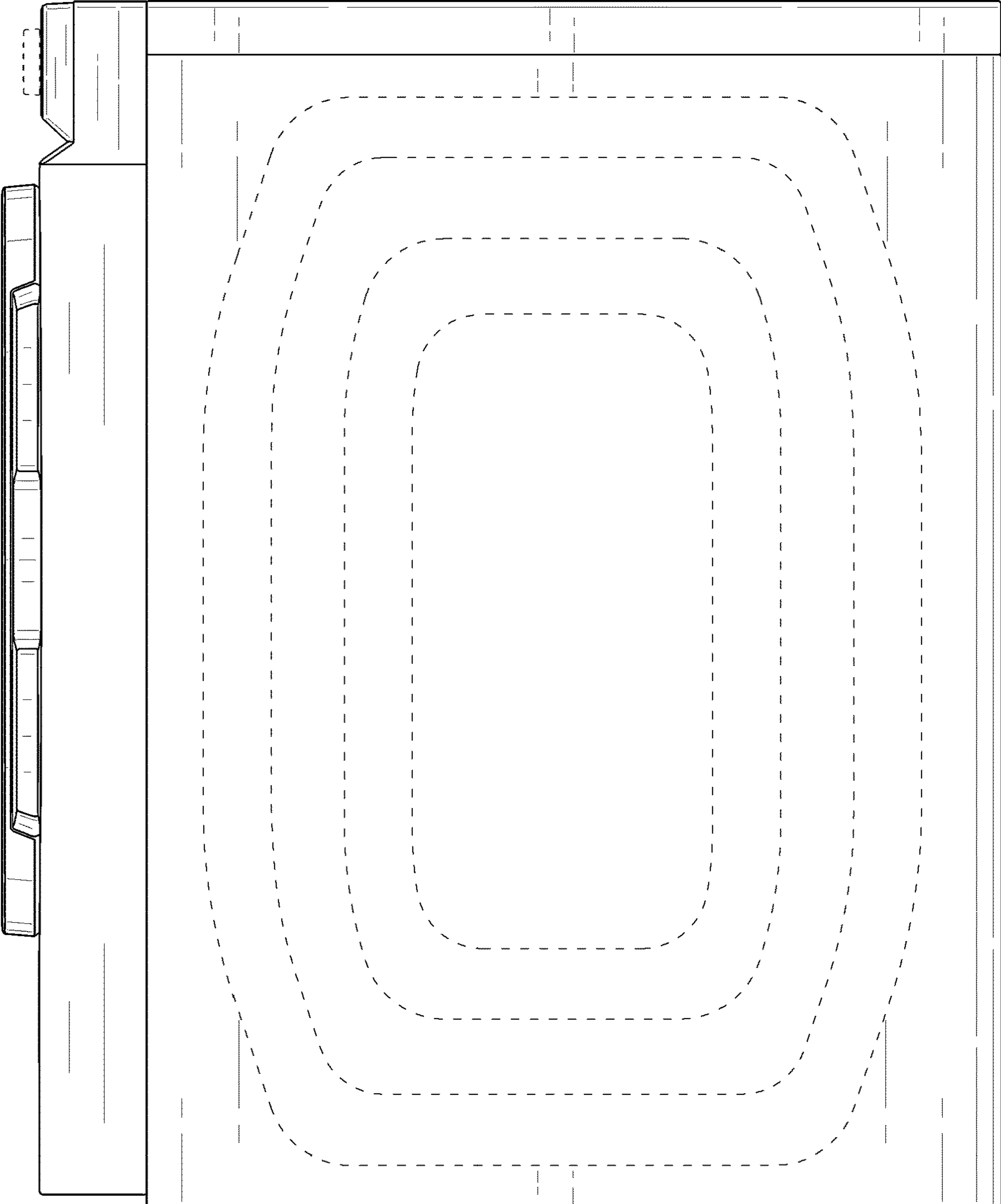


FIG. 6

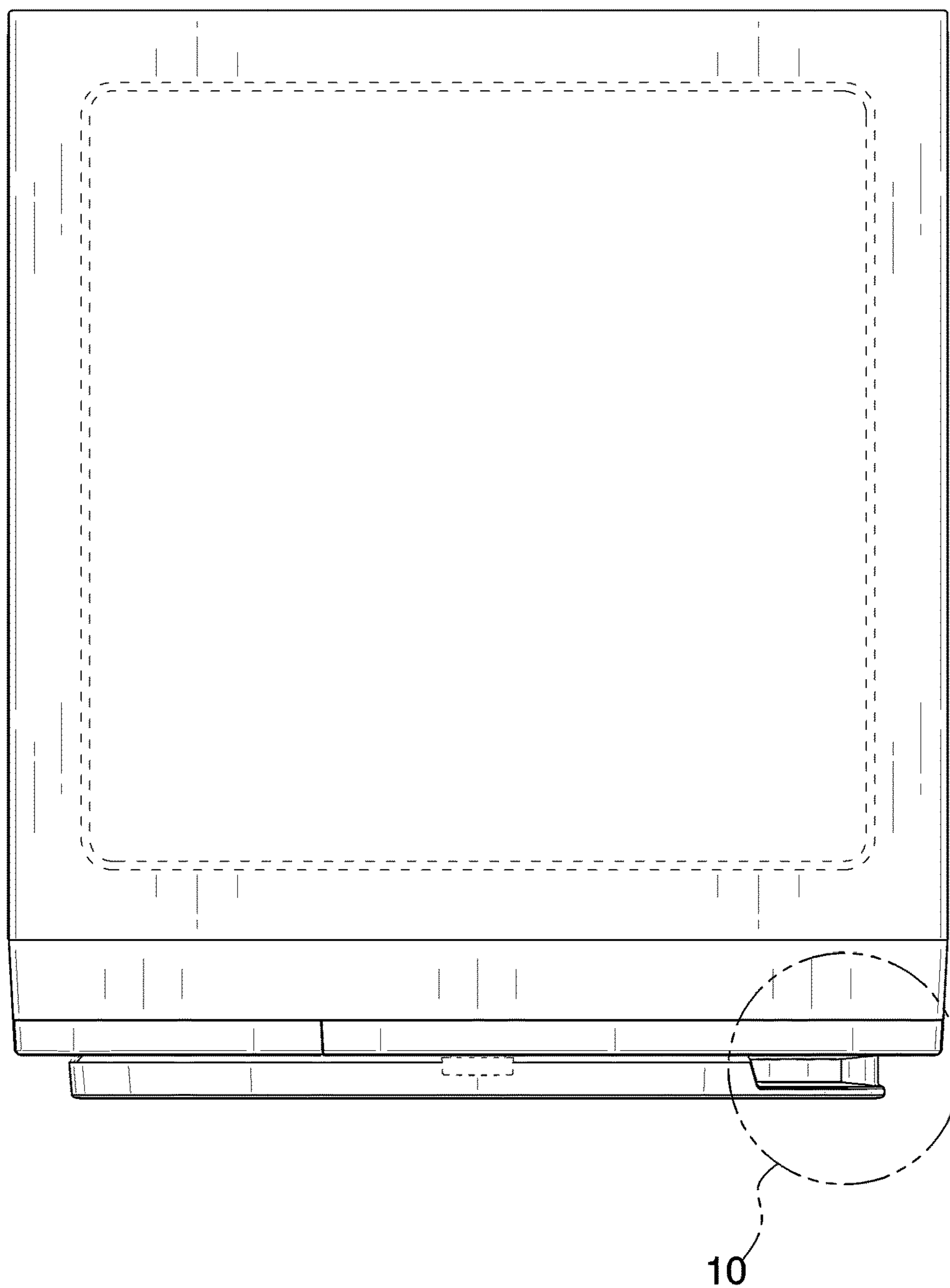




FIG. 7

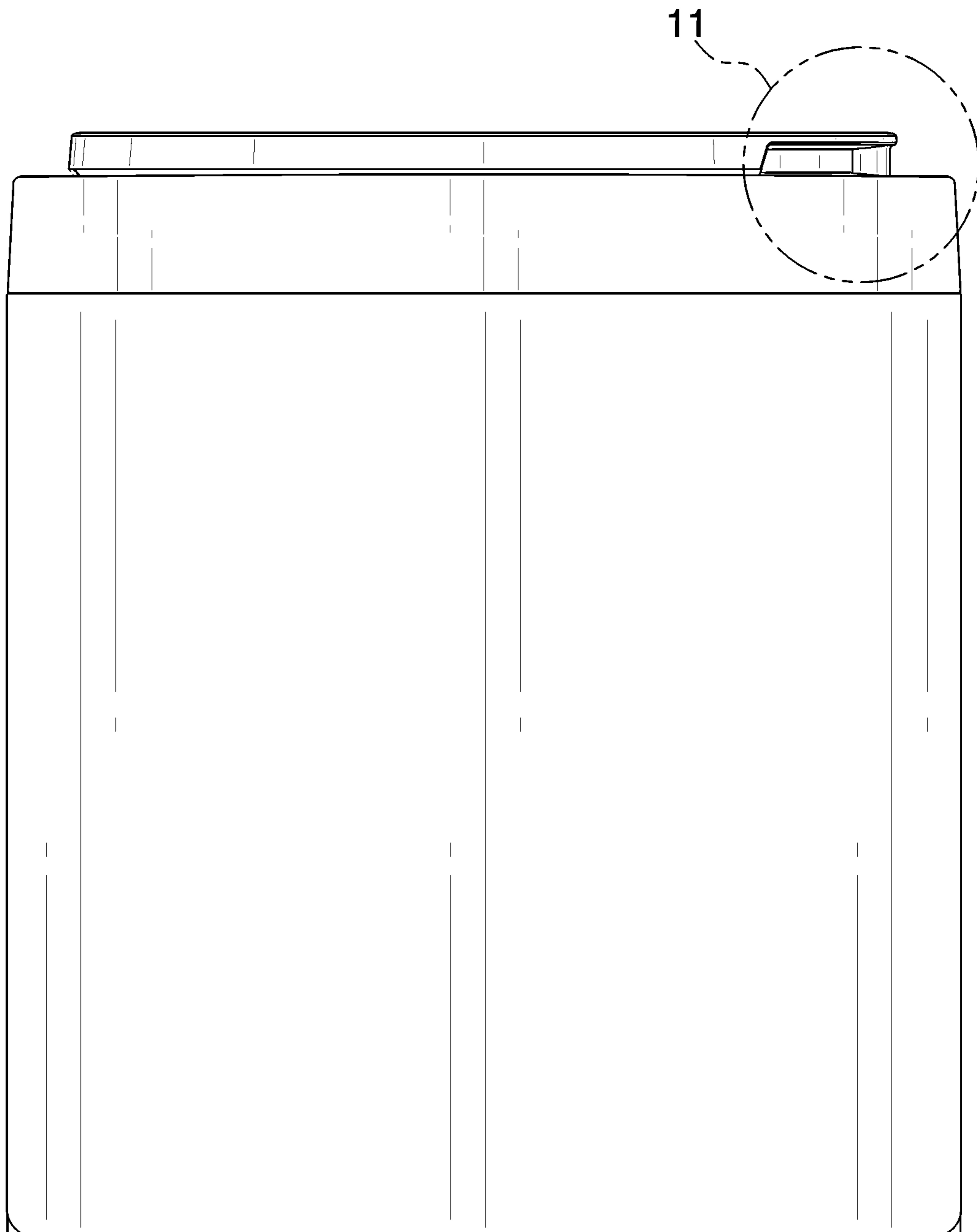


FIG. 8

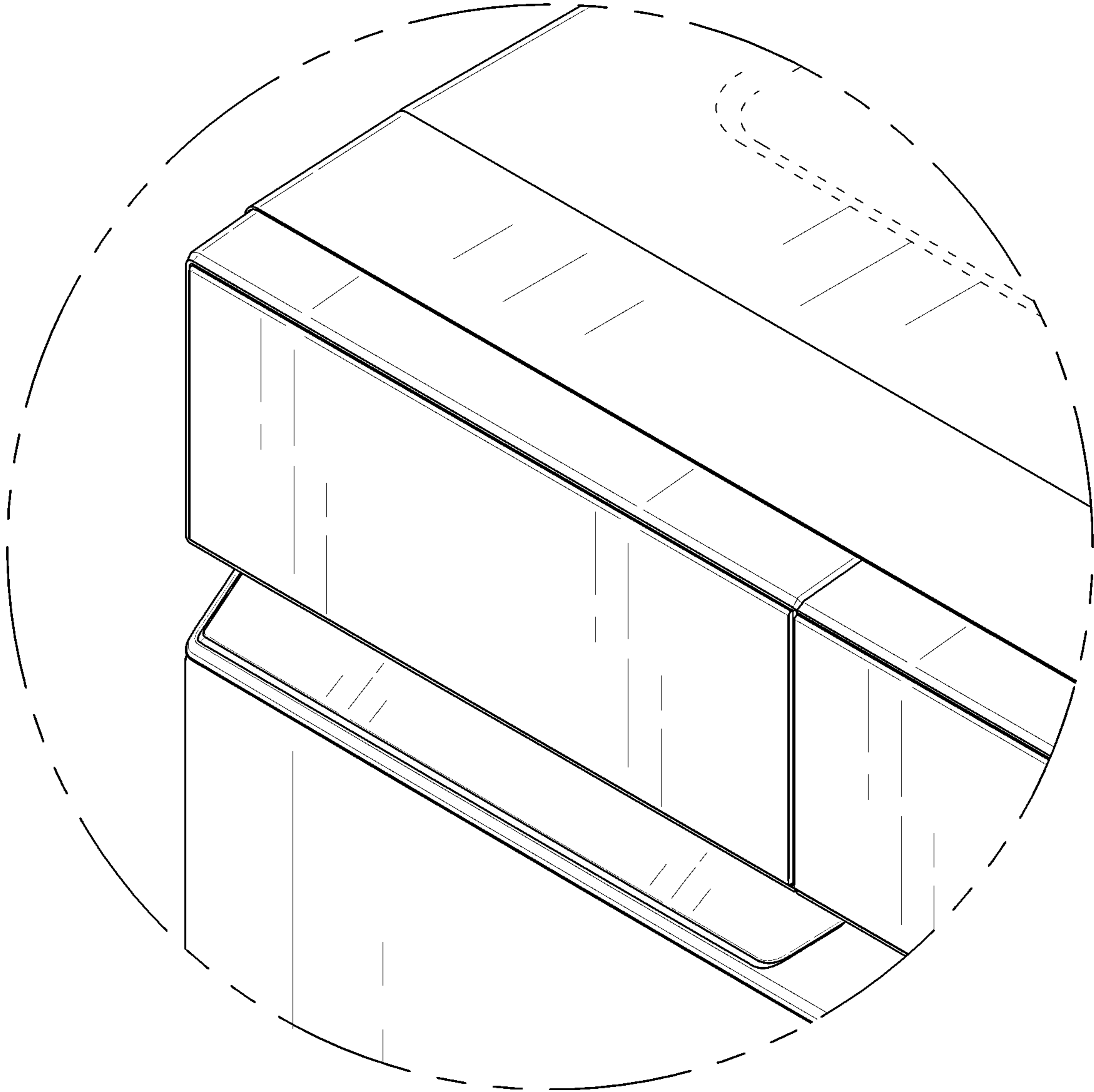


FIG. 9

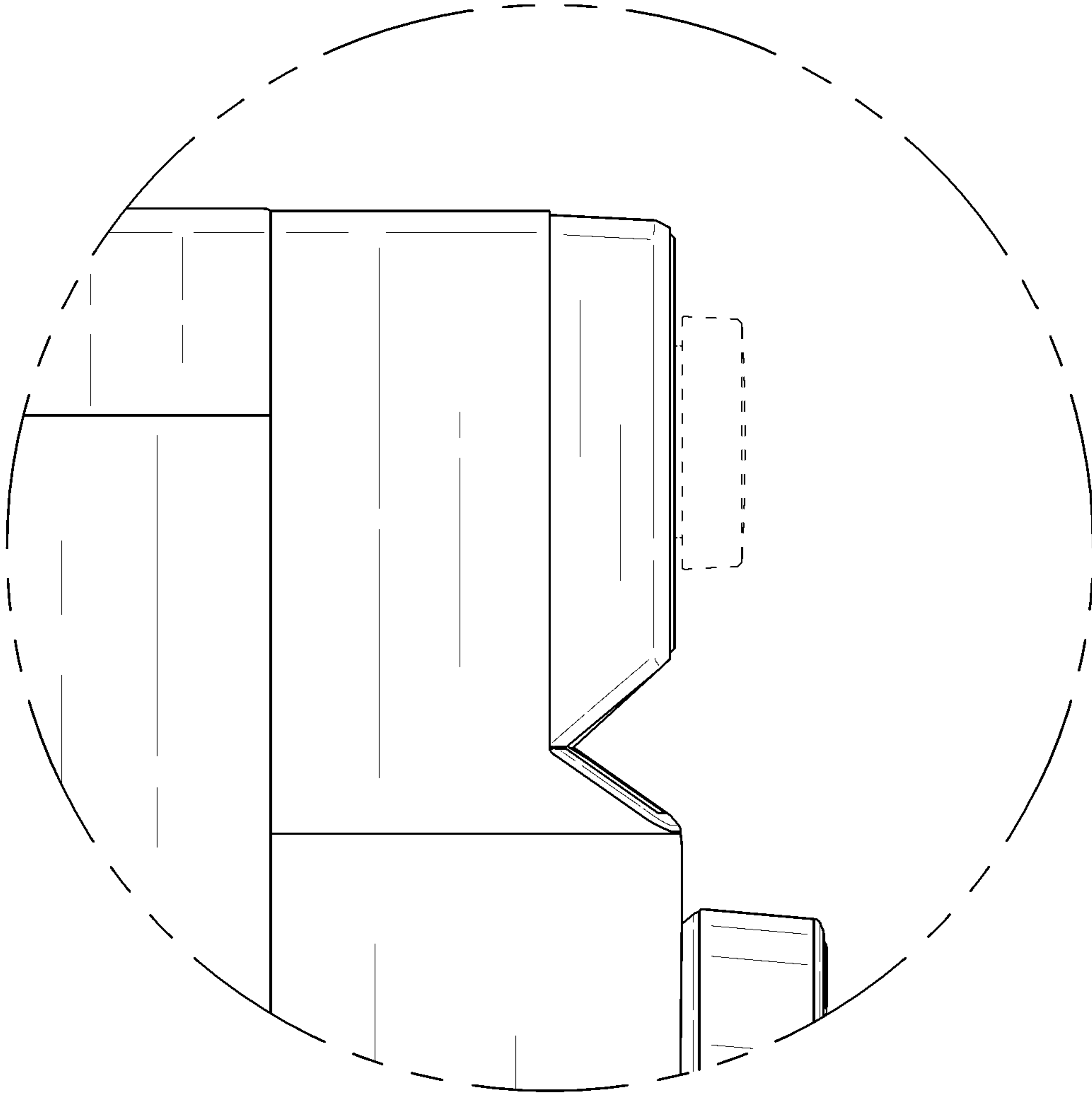


FIG. 10

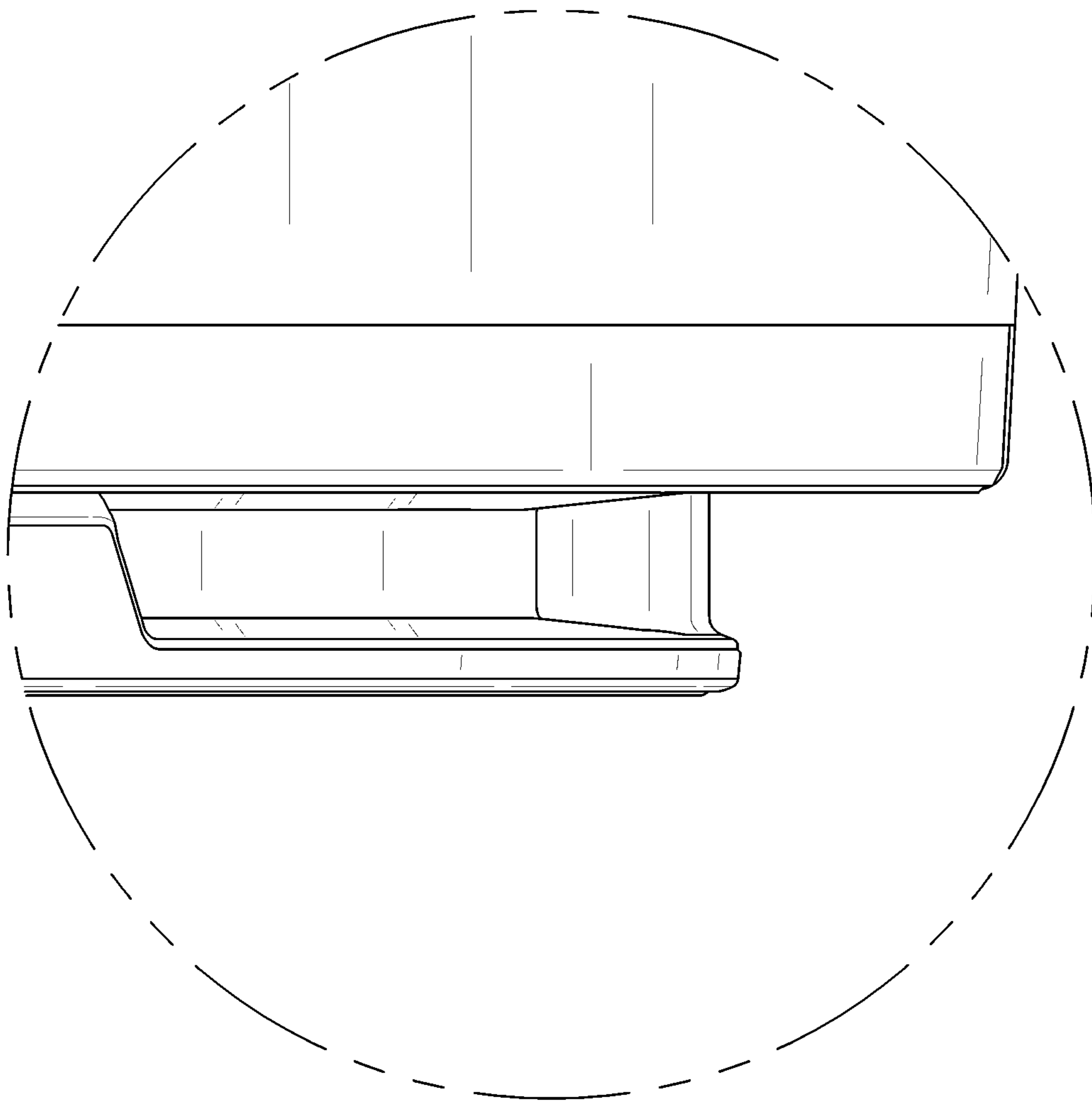


FIG. 11

