



US00D981057S

(12) **United States Design Patent**
Bates et al.

(10) **Patent No.:** **US D981,057 S**
(45) **Date of Patent:** **** Mar. 14, 2023**

(54) **RFID TAG INSERTION CARTRIDGE**

FOREIGN PATENT DOCUMENTS

(71) Applicant: **Somark Group Ltd.**, Sydney (AU)

EP 3694595 A1 8/2020
JP 3152587 U 8/2009

(72) Inventors: **Alexander Jonathan Bates**, Christies Beach (AU); **Marco Antonio Cid**, Coromandel Valley (AU); **Louise Sian Thompson**, Morphett (AU); **John Joseph Kinson**, Aberfoyle Park (AU)

(Continued)

OTHER PUBLICATIONS

(73) Assignee: **SOMARK GROUP PTY LTD.**

“Mysensalab” available Aug. 29, 2020, [online], [site visited Aug. 29, 2020]. Retrieved from Internet, URL:https://mysensalab.com/products/ (Year: 2020).*

(**) Term: **15 Years**

(Continued)

(21) Appl. No.: **29/701,974**

Primary Examiner — W. A. Teddy Falloway

(22) Filed: **Aug. 15, 2019**

Assistant Examiner — Katrina N Gonzalez

(51) **LOC (14) Cl.** **30-08**

(74) *Attorney, Agent, or Firm* — Barnes & Thornburg LLP; Brad Pederson

(52) **U.S. Cl.**
USPC **D30/155**

(57) **CLAIM**

The ornamental design for an RFID tag insertion cartridge, as shown and described.

(58) **Field of Classification Search**
USPC D30/155, 199; D24/108, 112–114; D29/124

DESCRIPTION

See application file for complete search history.

FIG. 1 is a perspective view of a RFID tag insertion cartridge, according to our new design.

FIG. 2 is a right side view thereof;

FIG. 3 is a left side view thereof;

FIG. 4 is a bottom plan view thereof;

FIG. 5 is a top plan view thereof;

FIG. 6 is a rear view thereof;

FIG. 7 is a front view thereof; and,

FIG. 8 is another perspective view thereof, but shown in a state of use with a RFID insertion tool in an environmental view.

The broken lines shown in FIGS. 1 through 8 illustrate portions of the RFID tag insertion cartridge that form no part of the claimed design. The broken lines showing the insertion tool in FIG. 8 illustrates environmental structure that forms no part of the claimed design.

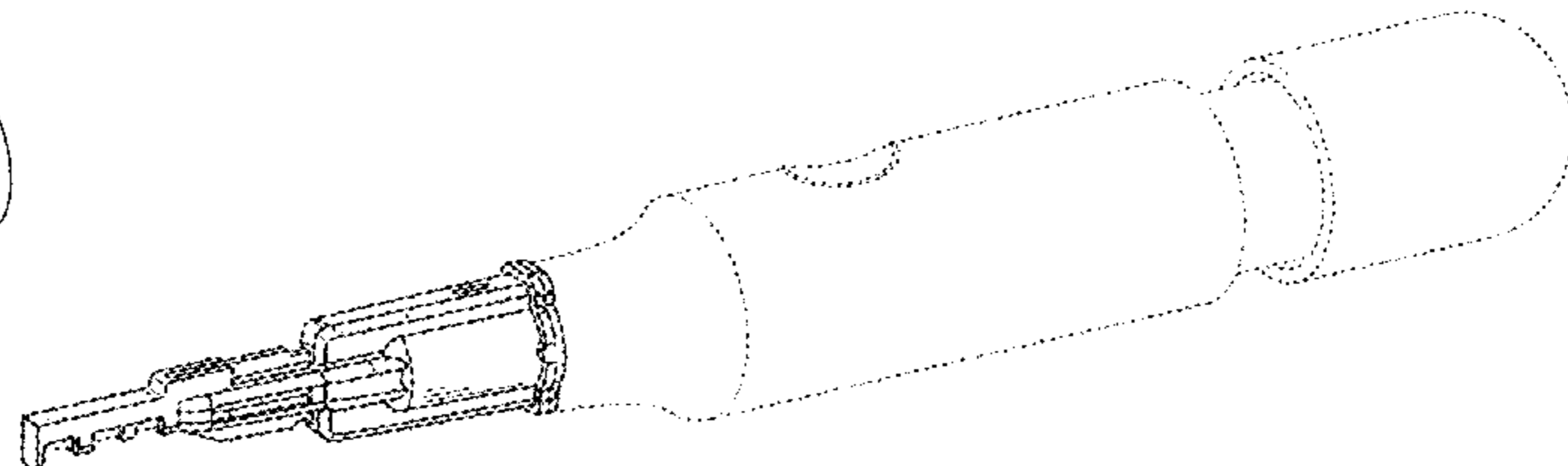
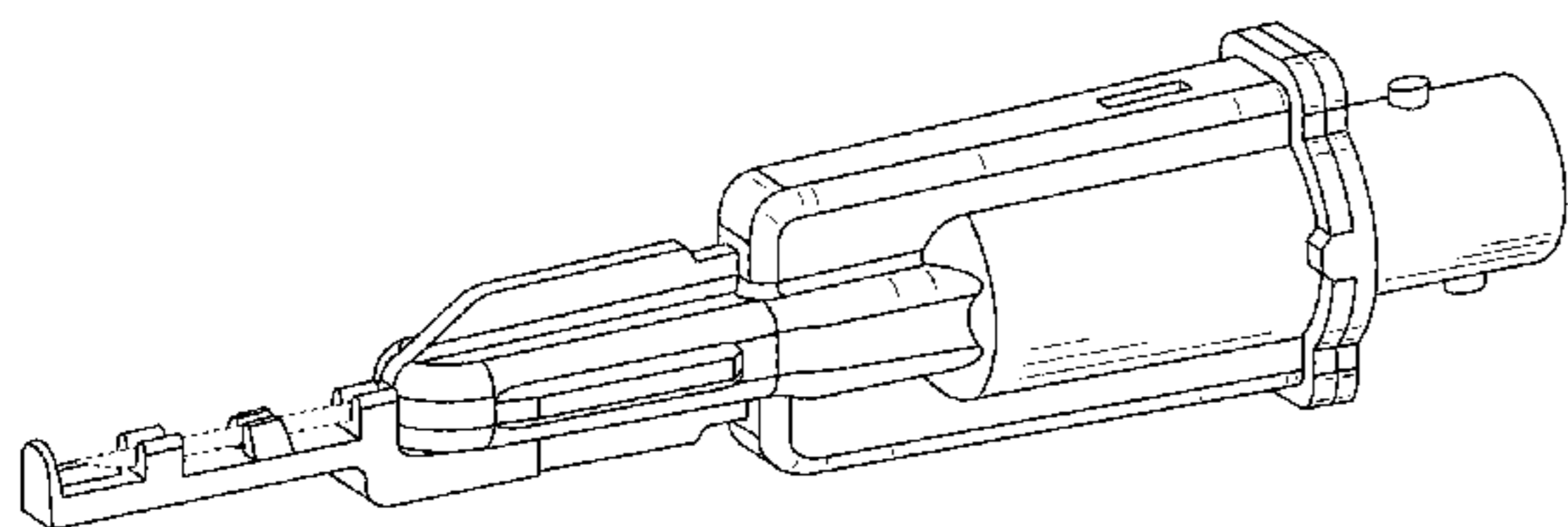
(56) **References Cited**

U.S. PATENT DOCUMENTS

| | | | |
|--------------|---------|------------------|---------------|
| 3,658,061 A | 4/1972 | Hall | |
| 4,223,674 A | 9/1980 | Fluent et al. | |
| 4,950,249 A | 8/1990 | Jagger et al. | |
| 5,024,727 A | 6/1991 | Campbell et al. | |
| 5,151,089 A | 9/1992 | Kirk, III et al. | |
| 5,211,129 A | 5/1993 | Taylor et al. | |
| 5,232,455 A | 8/1993 | Hollister | |
| 5,250,026 A | 10/1993 | Ehrlich et al. | |
| 5,288,291 A | 2/1994 | Teoh | |
| 5,632,732 A | 5/1997 | Szabo et al. | |
| 5,709,662 A | 1/1998 | Olive et al. | |
| D405,882 S * | 2/1999 | Yale | D24/112 |

(Continued)

1 Claim, 5 Drawing Sheets



(56)

References Cited

U.S. PATENT DOCUMENTS

6,186,144 B1 2/2001 Davis et al.
 6,616,638 B2 9/2003 Peters, III
 6,695,819 B2 * 2/2004 Kobayashi A61M 5/3216
 6,719,737 B2 * 4/2004 Kobayashi A61M 5/3216
 7,553,293 B2 * 6/2009 Jensen A61M 5/3245
 D609,804 S * 2/2010 Uchida D24/112
 8,157,826 B2 * 4/2012 Deng A61B 17/32002
 8,353,917 B2 1/2013 Mandecki et al.
 D899,594 S * 10/2020 Wang D24/144
 D902,402 S * 11/2020 Wang D24/144
 D950,047 S * 4/2022 Norihiko D24/113
 D952,136 S * 5/2022 Shabudin D24/114
 11,330,798 B2 * 5/2022 Nebolon G06K 19/07758
 2004/0097780 A1 5/2004 Otsuka
 2005/0234475 A1 10/2005 Cordes et al.
 2008/0036356 A1 2/2008 Ward et al.
 2008/0042849 A1 2/2008 Saito et al.
 2008/0065181 A1 3/2008 Stevenson
 2008/0106419 A1 5/2008 Sakama et al.
 2009/0062748 A1 3/2009 Moller et al.
 2009/0182267 A1 7/2009 Painchaud et al.
 2009/0209903 A1 8/2009 Cherif-Cheikh et al.
 2009/0292246 A1 11/2009 Slate et al.
 2010/0222767 A1 9/2010 Gluck
 2012/0086620 A1 4/2012 Johnson
 2012/0215230 A1 8/2012 Lubock et al.
 2013/0046174 A1 2/2013 Fischell et al.
 2015/0032060 A1 1/2015 Patel
 2018/0017679 A1 1/2018 Valouch et al.

2019/0053465 A1 2/2019 Knight et al.
 2020/0296926 A1 * 9/2020 Nebolan A61D 7/00
 2022/0287270 A1 * 9/2022 Knight A61B 90/90

FOREIGN PATENT DOCUMENTS

KR 20090058746 A 6/2009
 KR 10-1940275 1/2019
 WO WO 2017/093453 A1 6/2017
 WO WO 2019/071320 A1 4/2019
 WO WO 2019/071321 A1 4/2019
 WO WO 2020/220043 A1 10/2020

OTHER PUBLICATIONS

PCT/US2020/046708 Search Report and Written Opinion dated Nov. 23, 2020, 13 pages.
 Brochure, PhenoSys GmbH, "Individual Tracking—Activity Monitor," Technology for Behavior Analysis, date unknown, 1 page.
 Webpage, "Revolzyer: Voluntary Running Assay," preclinics, 1 page.
 Brochure, PhenoSys GmbH, "Activity Monitor," Technology for Behavior Analysis, 1 page.
 Mainetti, "An RFID-Based Smart Cage for Animal Behavior Analysis," Smart 2014: The Third International Conference on Smart Systems, 2014, 6 pages.
 Application and File history for U.S. Appl. No. 16/755,329, filed Apr. 10, 2020. Inventors: Nebolan et al.
 PCT/AU2018/051109 Search Report and Written Opinion dated Dec. 20, 2018, 16 pages.
 PCT/US2020/30138 Search Report and Written Opinion dated Aug. 7, 2020, 14 pages.

* cited by examiner

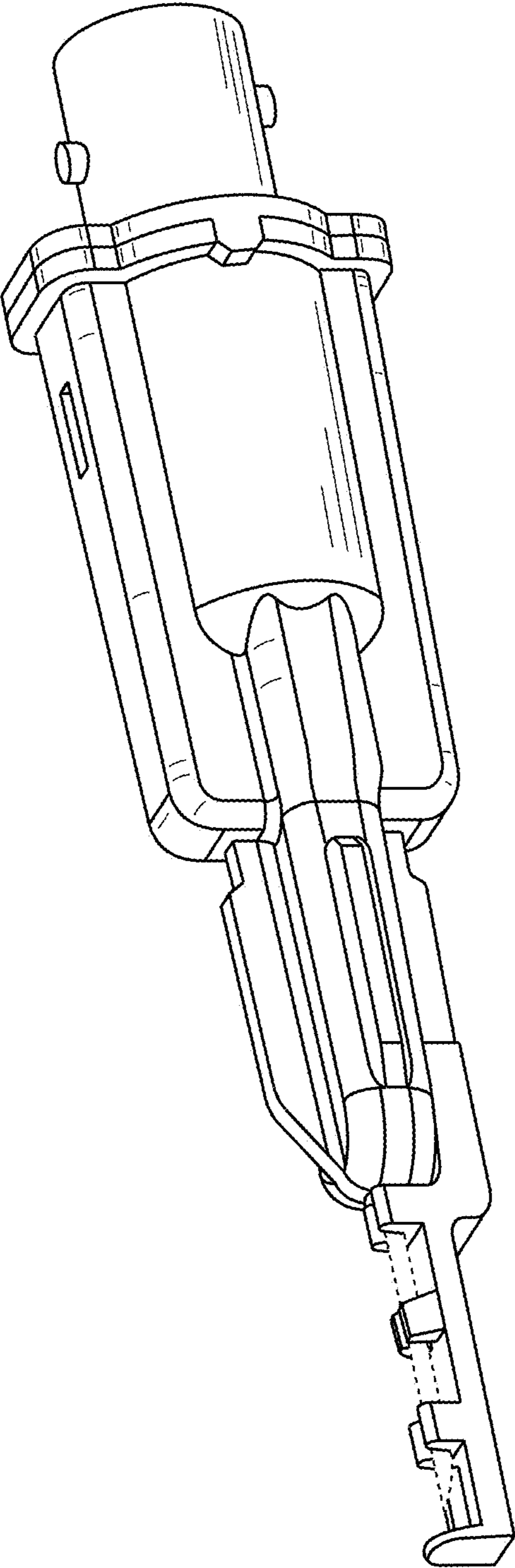


FIG. 1

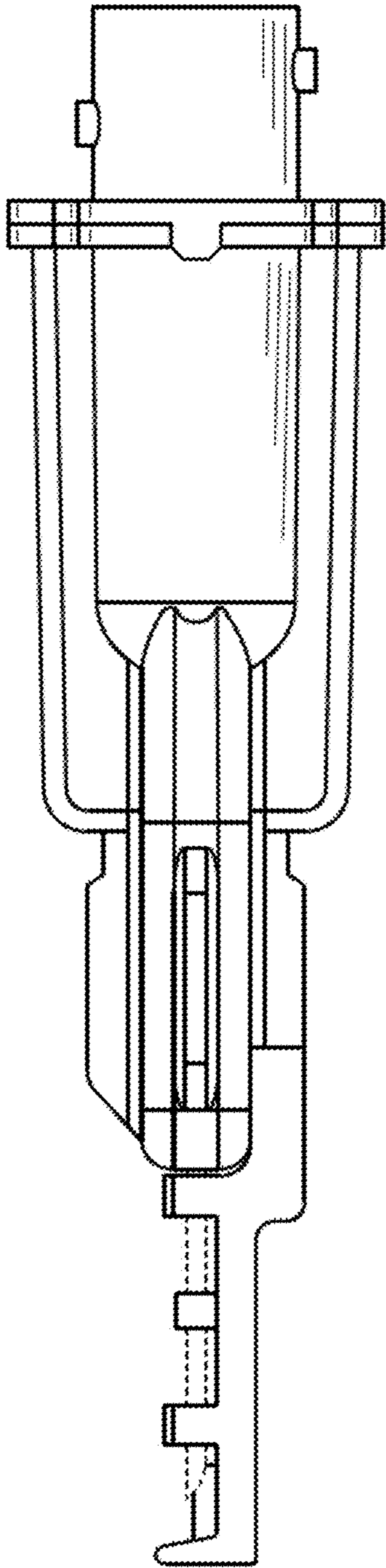


FIG. 2

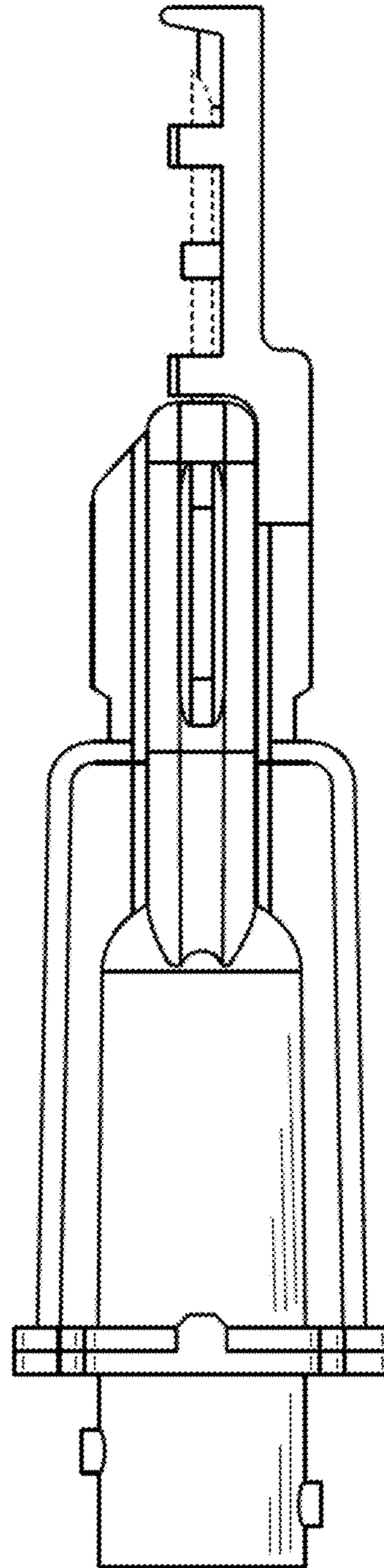


FIG. 3

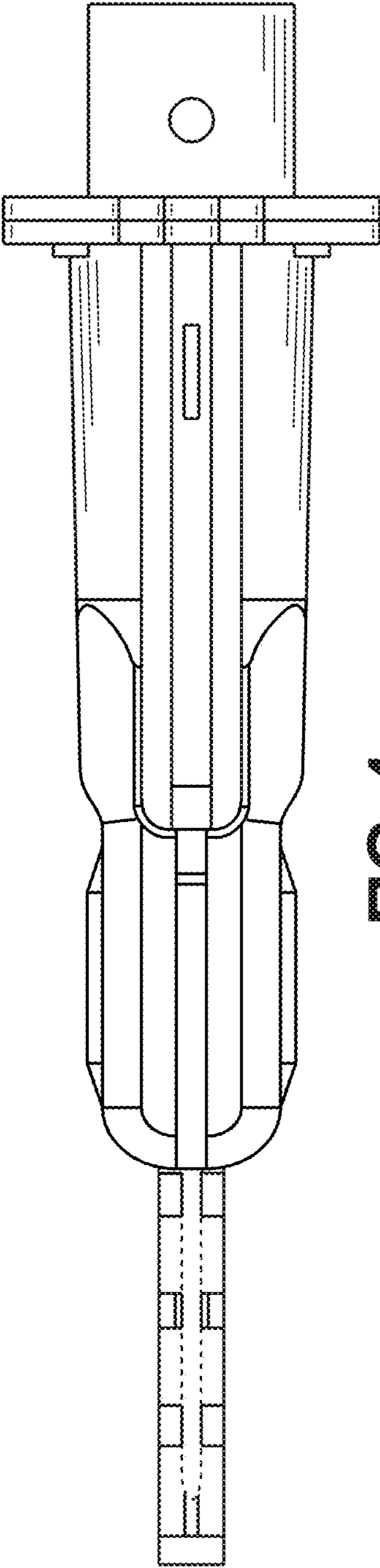


FIG. 4

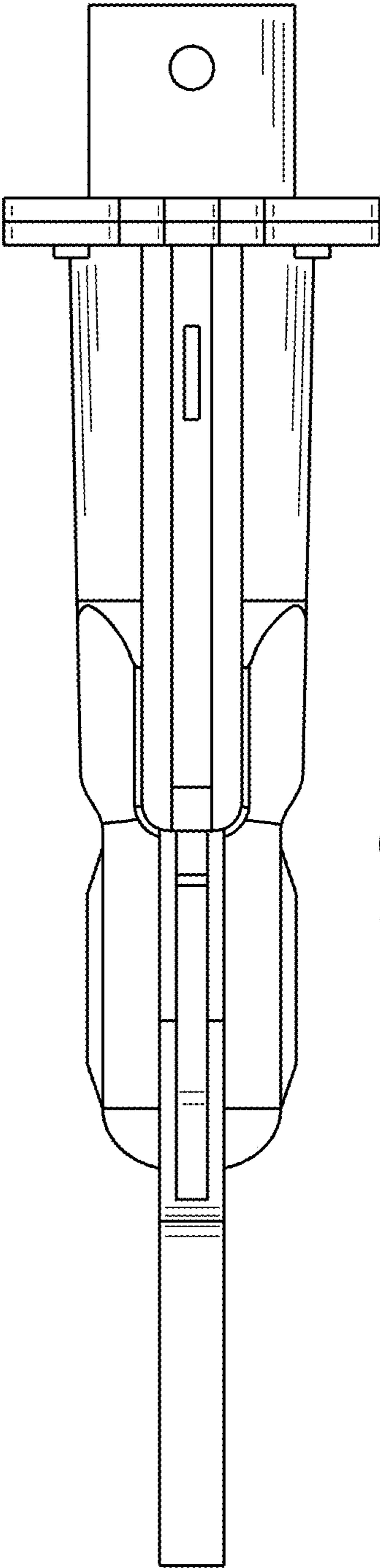


FIG. 5

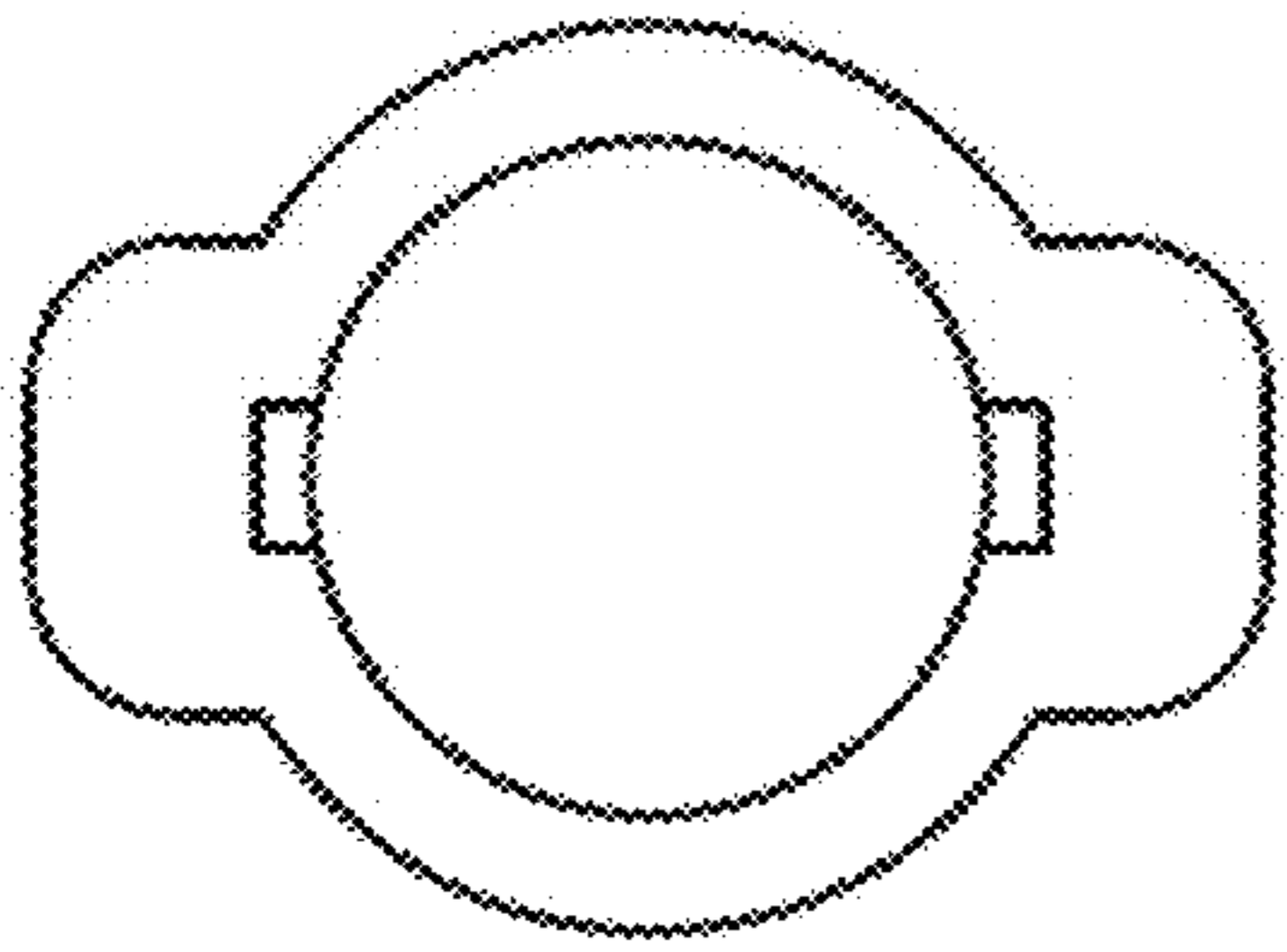


FIG. 6

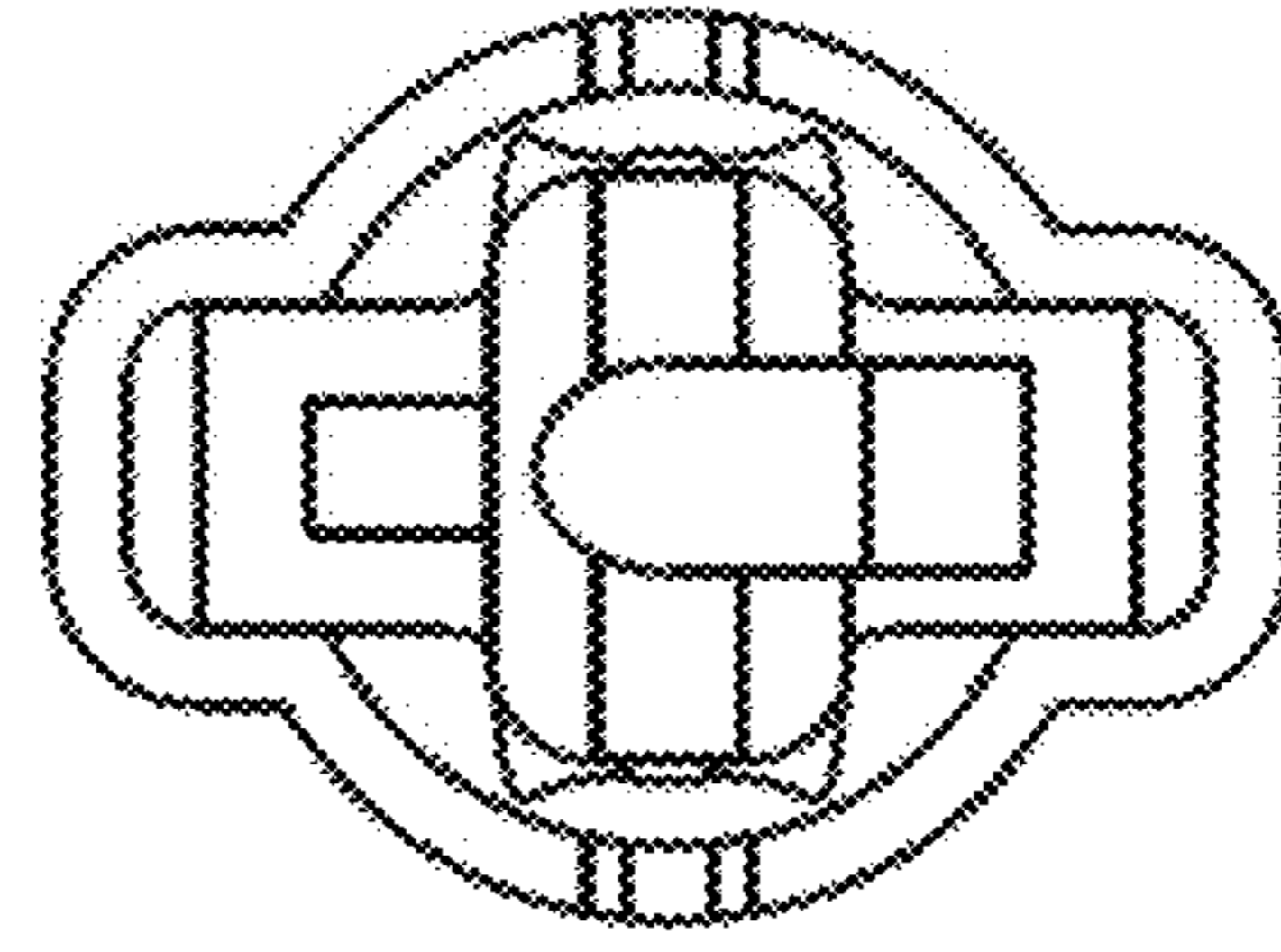


FIG. 7

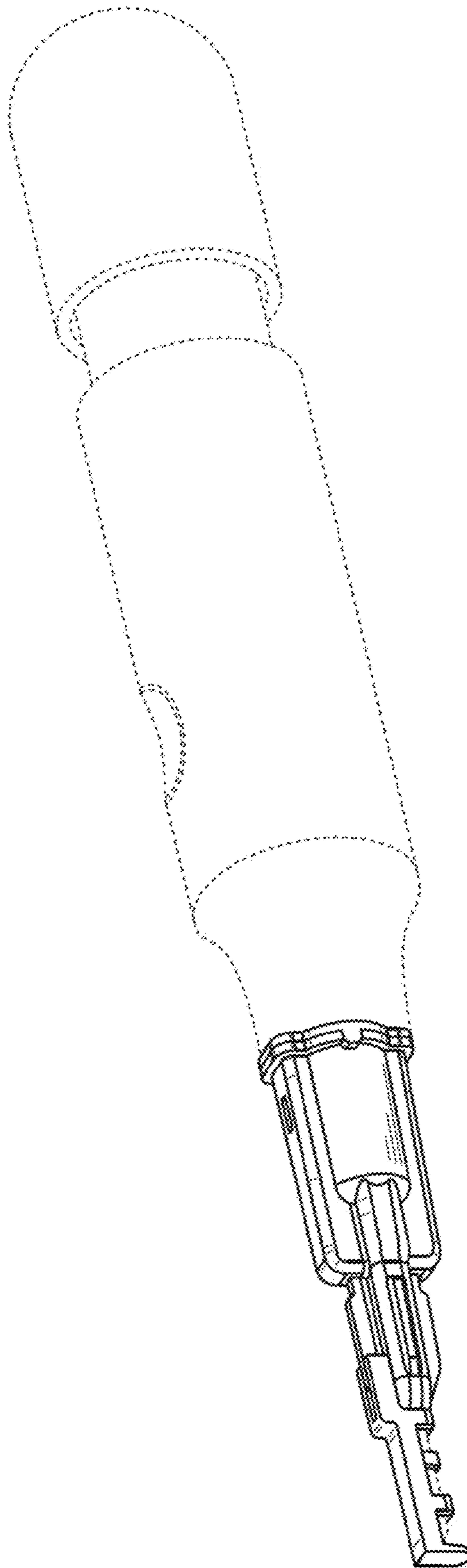


FIG. 8