



US00D981054S

(12) **United States Design Patent** (10) **Patent No.:** **US D981,054 S**
Xiao (45) **Date of Patent:** **** Mar. 14, 2023**

- (54) **REPTILE FEEDER**
- (71) Applicant: **Zhouchi Xiao**, Shantou (CN)
- (72) Inventor: **Zhouchi Xiao**, Shantou (CN)
- (73) Assignee: **Zhouchi Xiao**, Shantou (CN)
- (**) Term: **15 Years**

- (21) Appl. No.: **29/814,037**
- (22) Filed: **Nov. 3, 2021**
- (51) **LOC (14) Cl.** **30-07**
- (52) **U.S. Cl.**
USPC **D30/121; D30/124**
- (58) **Field of Classification Search**
USPC D30/108, 110, 111, 121, 122, 124, 125,
D30/128, 129, 130, 131, 132, 133;
119/51.01, 51.02, 51.03, 51.11, 51.12,
119/51.13, 51.5, 52.1, 57, 57.1, 57.92, 58,
119/60, 61.1, 61.5, 61.52, 61.54, 61.55,
119/61.57, 72, 72.5, 73, 74, 75, 78, 174,
119/70, 71, 52.2, 52.3, 52.4, 53, 53.5, 54,
119/55, 57.8, 57.9, 57.91, 69.5
CPC A01K 1/0353; A01K 5/00; A01K 39/02;
A01K 39/04; A01K 39/0313
See application file for complete search history.

(56) **References Cited**

U.S. PATENT DOCUMENTS

- 5,970,913 A * 10/1999 Bloedorn A01K 39/01
119/57.8
- 7,021,240 B1 * 4/2006 Tippetts A01K 39/012
119/57.8
- 7,198,004 B1 * 4/2007 Lush A01K 39/012
119/52.2
- D790,778 S * 6/2017 Green D30/127
- D824,119 S 7/2018 Yang et al.
- 10,617,100 B1 * 4/2020 Larsen A01K 53/00

- D923,257 S 6/2021 Wu
- 2004/0244704 A1* 12/2004 Smothers A01K 39/0206
119/72.5
- 2011/0239949 A1* 10/2011 Abbott A01K 39/0206
119/72

FOREIGN PATENT DOCUMENTS

- GB 6173585 * 11/2021

OTHER PUBLICATIONS

“Neptonion Hookable Chameleon Feeding Bowl” available Jul. 19, 2021, [online], [site visited Aug. 13, 2022]. Retrieved from Internet, URL: https://www.amazon.com/Neptonion-Reptile-Feeding-Chameleon-Suitable/dp/B08RZ4H7D8/ref=sr_1_2 (Year: 2021).*

* cited by examiner

Primary Examiner — Katrina N Gonzalez
(74) *Attorney, Agent, or Firm* — Nitin Kaushik

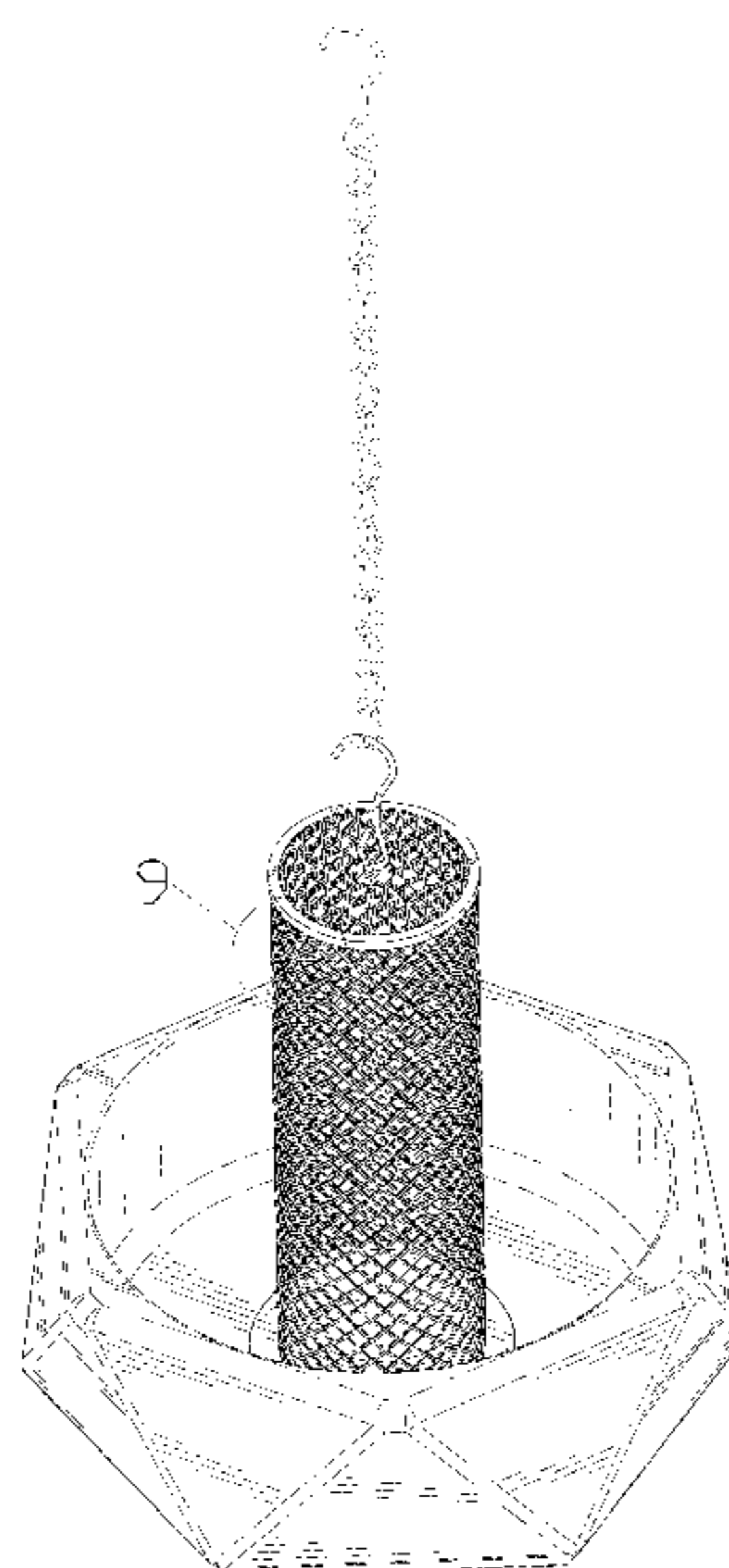
(57) **CLAIM**

The ornamental design for a reptile feeder, as shown and described.

DESCRIPTION

FIG. 1 is a perspective view of a reptile feeder showing my new design;
FIG. 2 is another perspective view thereof;
FIG. 3 is a front elevational view thereof;
FIG. 4 is a rear elevational view thereof;
FIG. 5 is a left side elevational view thereof;
FIG. 6 is a right side elevational view thereof;
FIG. 7 is a top plan view thereof;
FIG. 8 is a bottom plan view thereof; and,
FIG. 9 is an enlarged view of portion 9 shown in FIG. 1. The dash-dash broken lines in the drawings depict portions of the reptile feeder that form no part of the claimed design. The dot-dash broken lines represent boundaries and indicator of the enlarged portion and form no part of the claimed design.

1 Claim, 9 Drawing Sheets



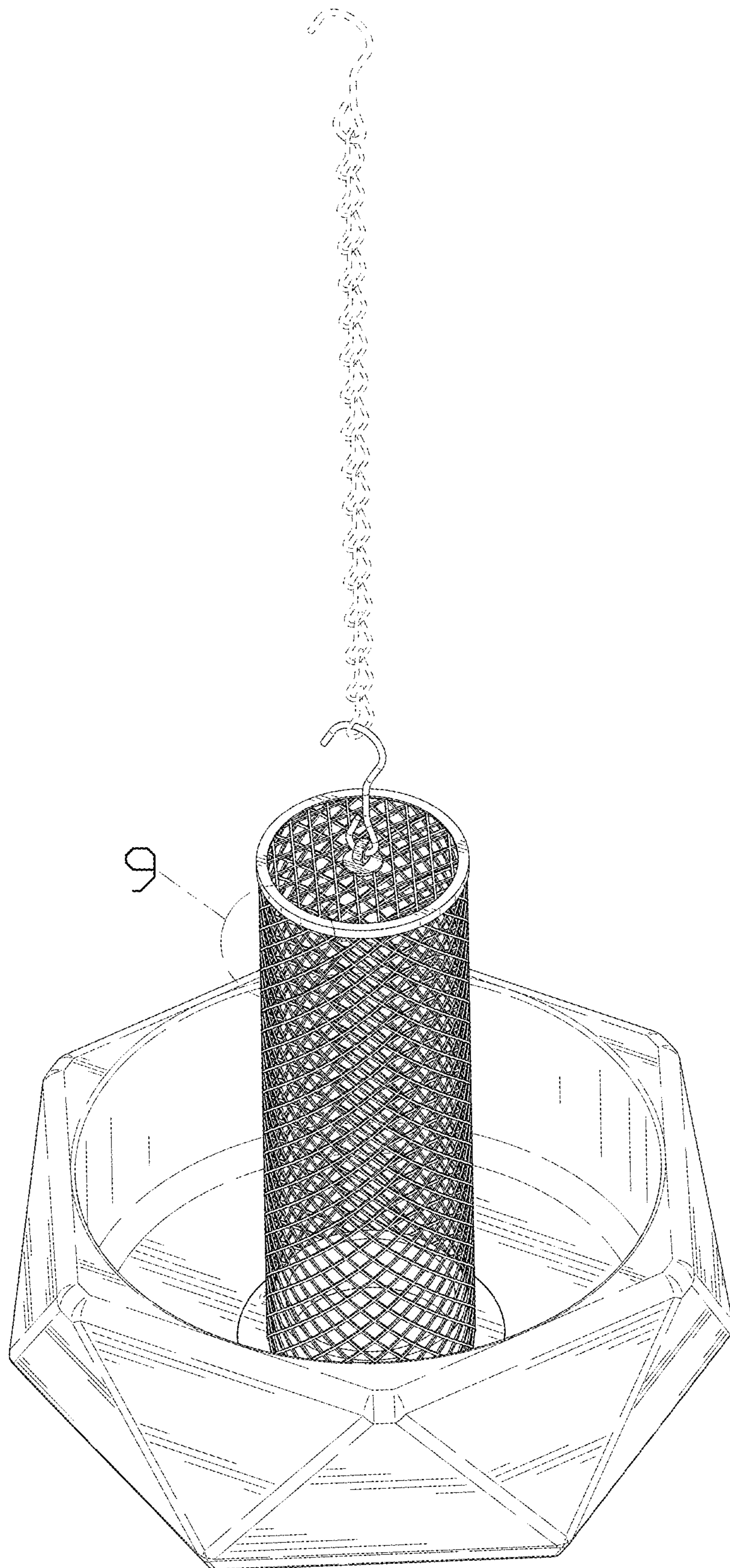


FIG. 1

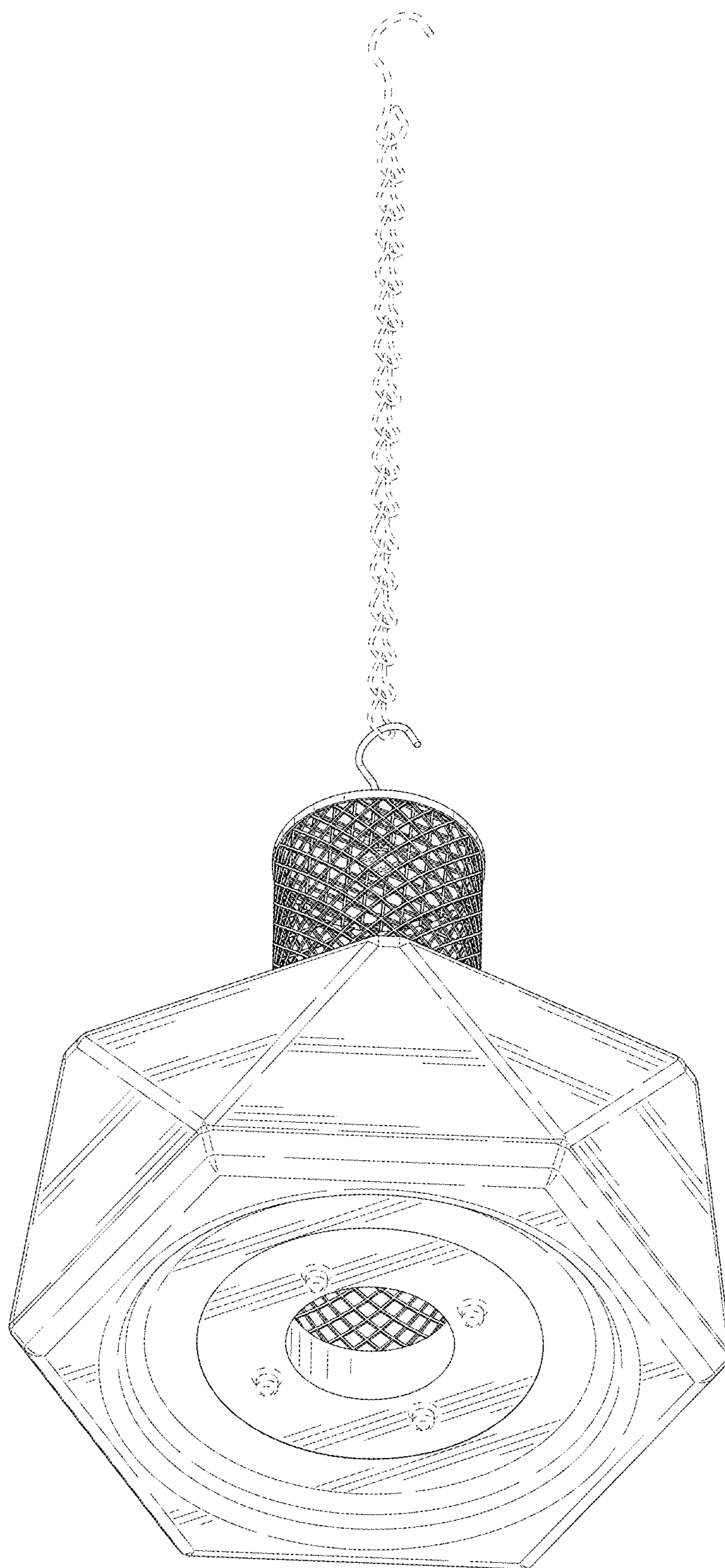


FIG. 2



FIG. 3



FIG. 4

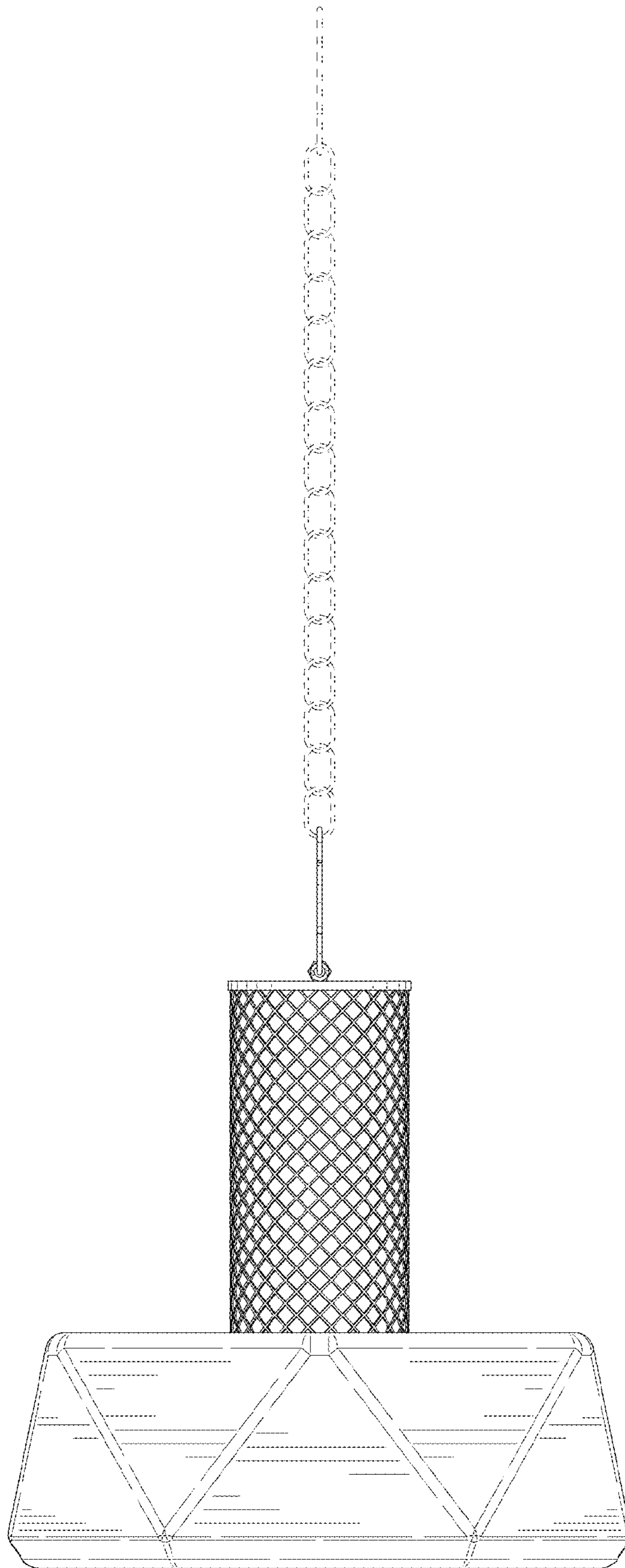


FIG. 5

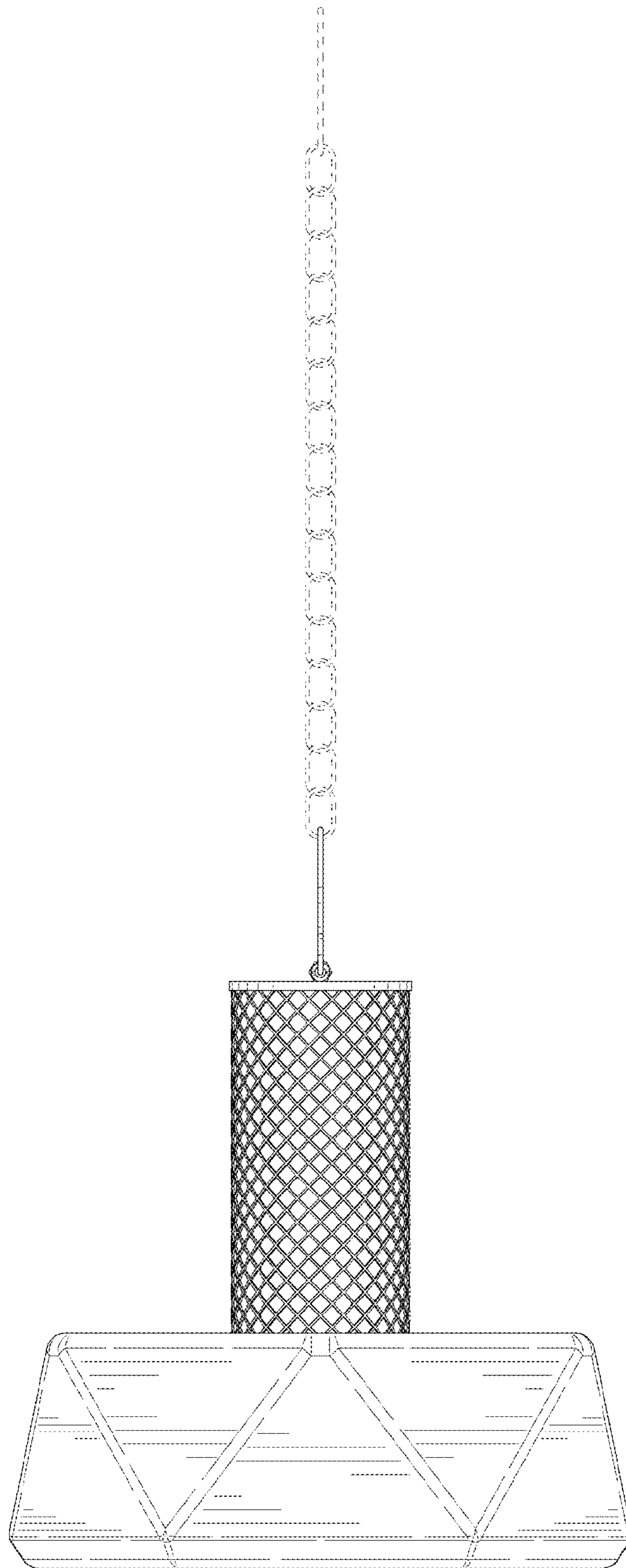


FIG. 6

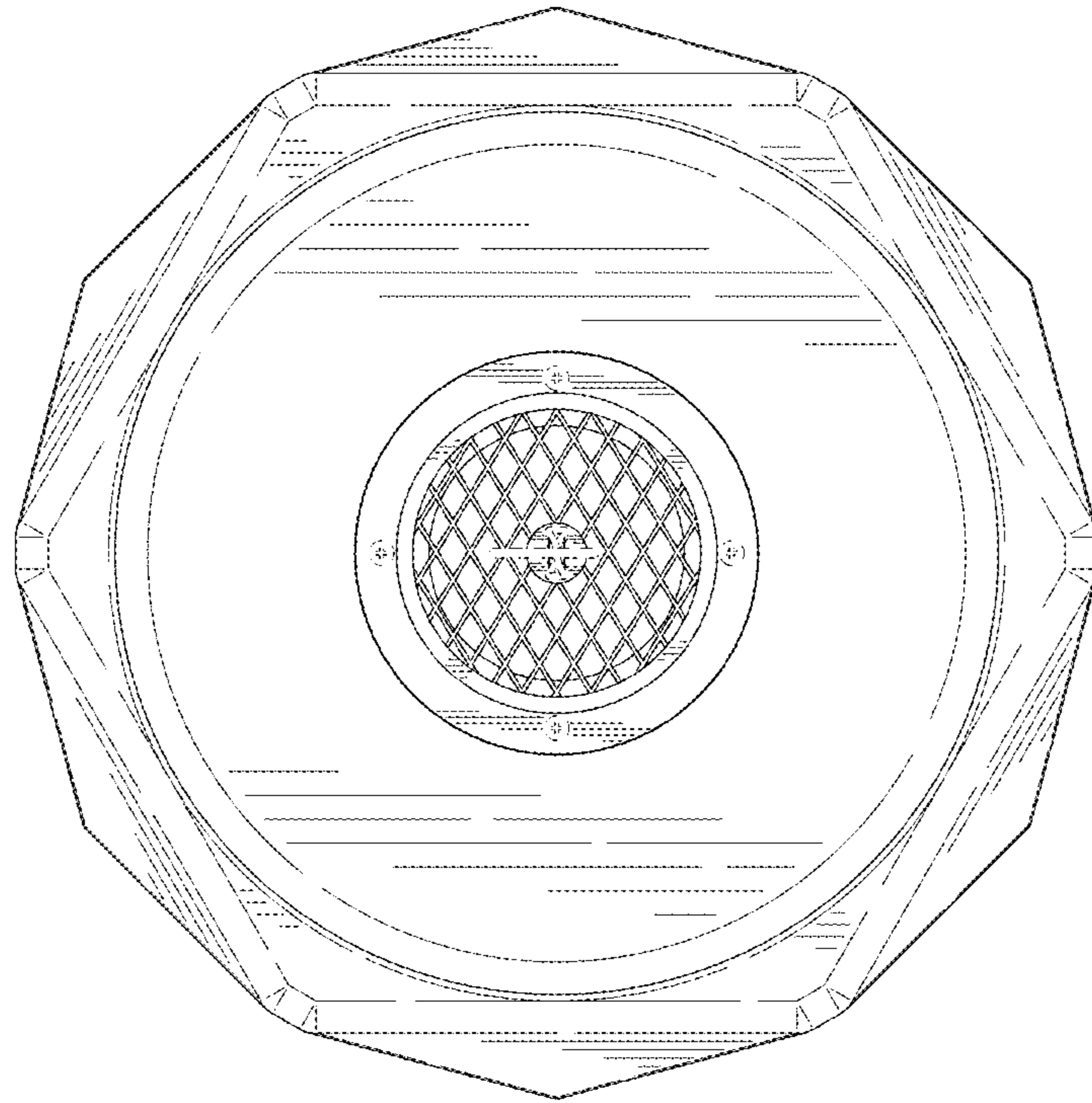


FIG. 7

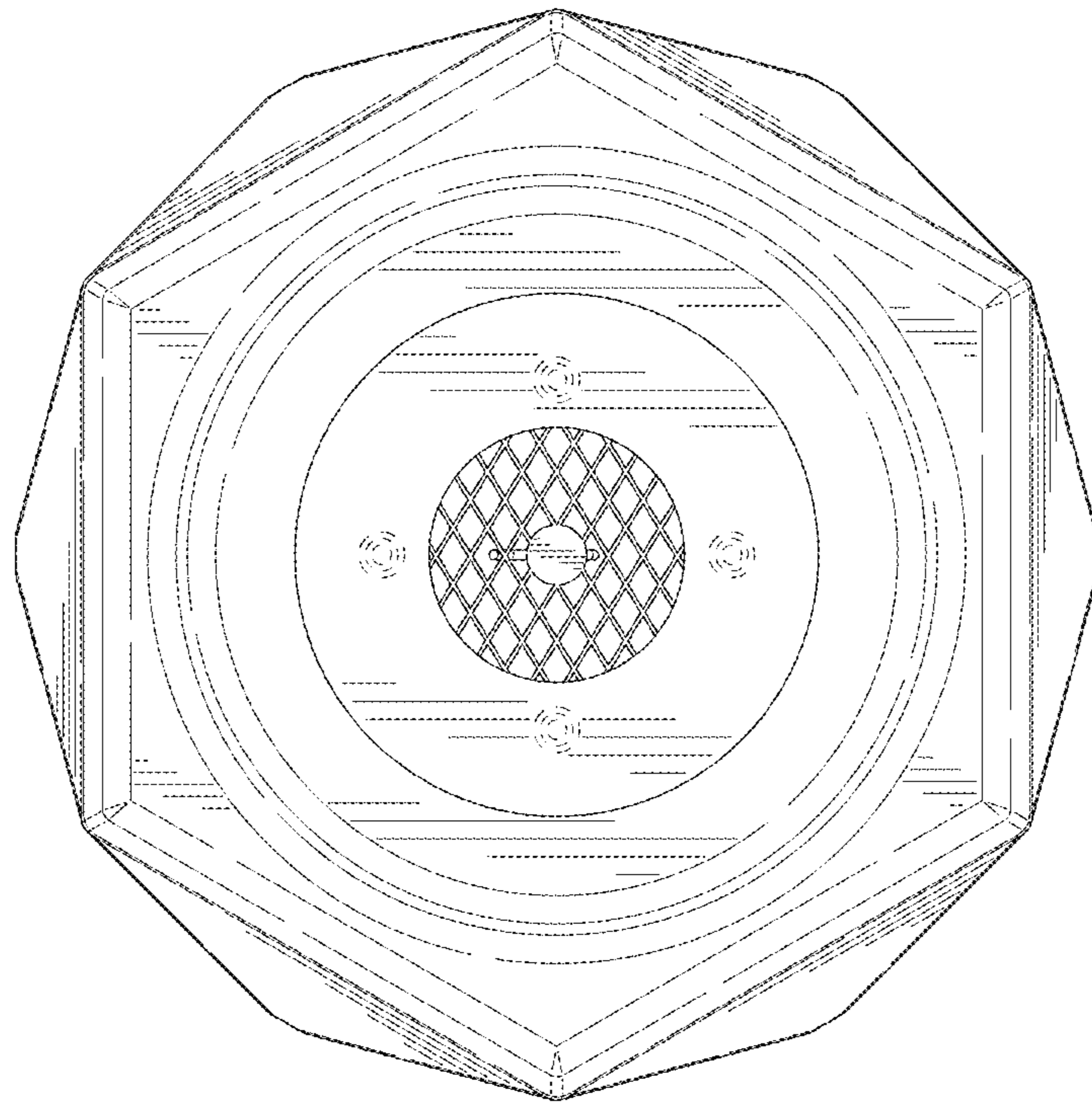


FIG. 8

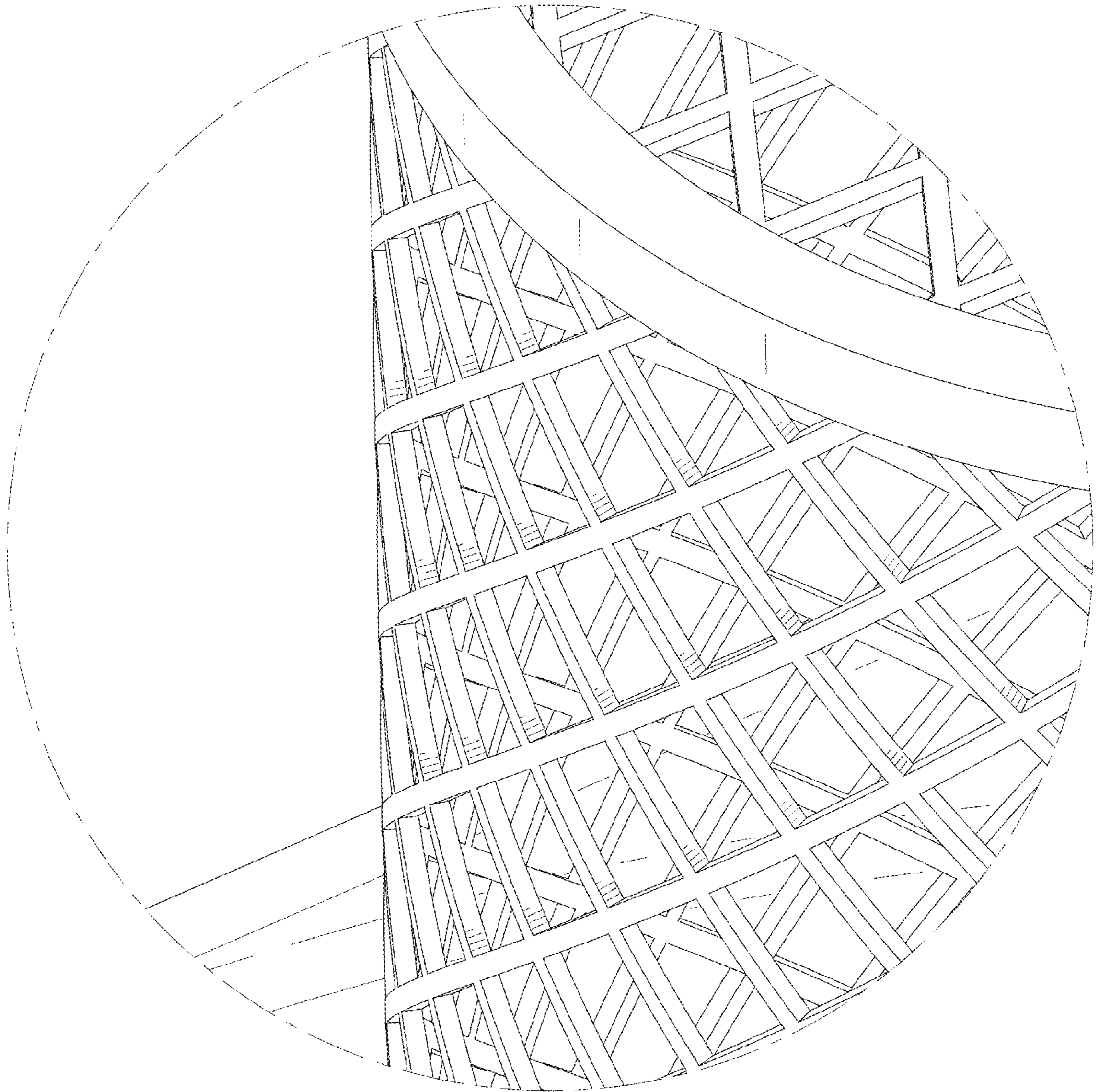


FIG. 9