



US00D981048S

(12) **United States Design Patent**  
**Kim**

(10) **Patent No.:** **US D981,048 S**  
(45) **Date of Patent:** **\*\* Mar. 14, 2023**

(54) **NAIL CLIPPER**  
(71) Applicant: **ROYAL METAL INDUSTRIAL CO., LTD**, Bucheon-si (KR)  
(72) Inventor: **Gab-Soo Kim**, Bucheon-si (KR)  
(73) Assignee: **ROYAL METAL INDUSTRIAL CO., LTD**, Bucheon-si (KR)

D846,804 S \* 4/2019 Kim ..... D28/60  
D851,836 S \* 6/2019 Kim ..... D28/60  
D867,665 S \* 11/2019 Cacciotti ..... A45D 29/02  
D28/60  
D897,604 S \* 9/2020 Kim ..... A45D 29/02  
D28/60  
D937,488 S \* 11/2021 Barnes ..... A45D 29/02  
(Continued)

(\*\*) Term: **15 Years**  
(21) Appl. No.: **29/749,200**  
(22) Filed: **Sep. 3, 2020**

FOREIGN PATENT DOCUMENTS  
CN 304790222 \* 8/2018  
EM 006570131-0001 \* 6/2019

(30) **Foreign Application Priority Data**  
Mar. 3, 2020 (KR) ..... 30-2020-0009519  
(51) **LOC (14) Cl.** ..... **28-03**  
(52) **U.S. Cl.**  
USPC ..... **D28/60**  
(58) **Field of Classification Search**  
USPC ..... D28/55, 57, 60, 61, 62, 91.2, 99;  
D30/158; D8/4, 52  
CPC ..... A45D 2/48; A45D 29/02; A45D 29/04;  
A45D 29/05; A45D 29/06; A45D 29/11;  
A45D 29/17; A45D 29/18; A45D 29/023;  
A45D 2029/026; A45D 2029/008; A45D  
34/00; B26B 13/22  
See application file for complete search history.

OTHER PUBLICATIONS  
Ultra Straight Cut . . . [online]; [review published to the internet on Jul. 25, 2015]; [retrieved from the internet on Oct. 17, 2022]; URL:https://www.amazon.com/Ultra-Straight-Cut-Toenail-Clipper/dp/B0055L2350/. (8 pages). (Year: 2015).\*  
(Continued)

*Primary Examiner* — Jasmine Mlinarcik  
*Assistant Examiner* — Victoria A. Rielly  
(74) *Attorney, Agent, or Firm* — Dennemeyer & Associates LLC

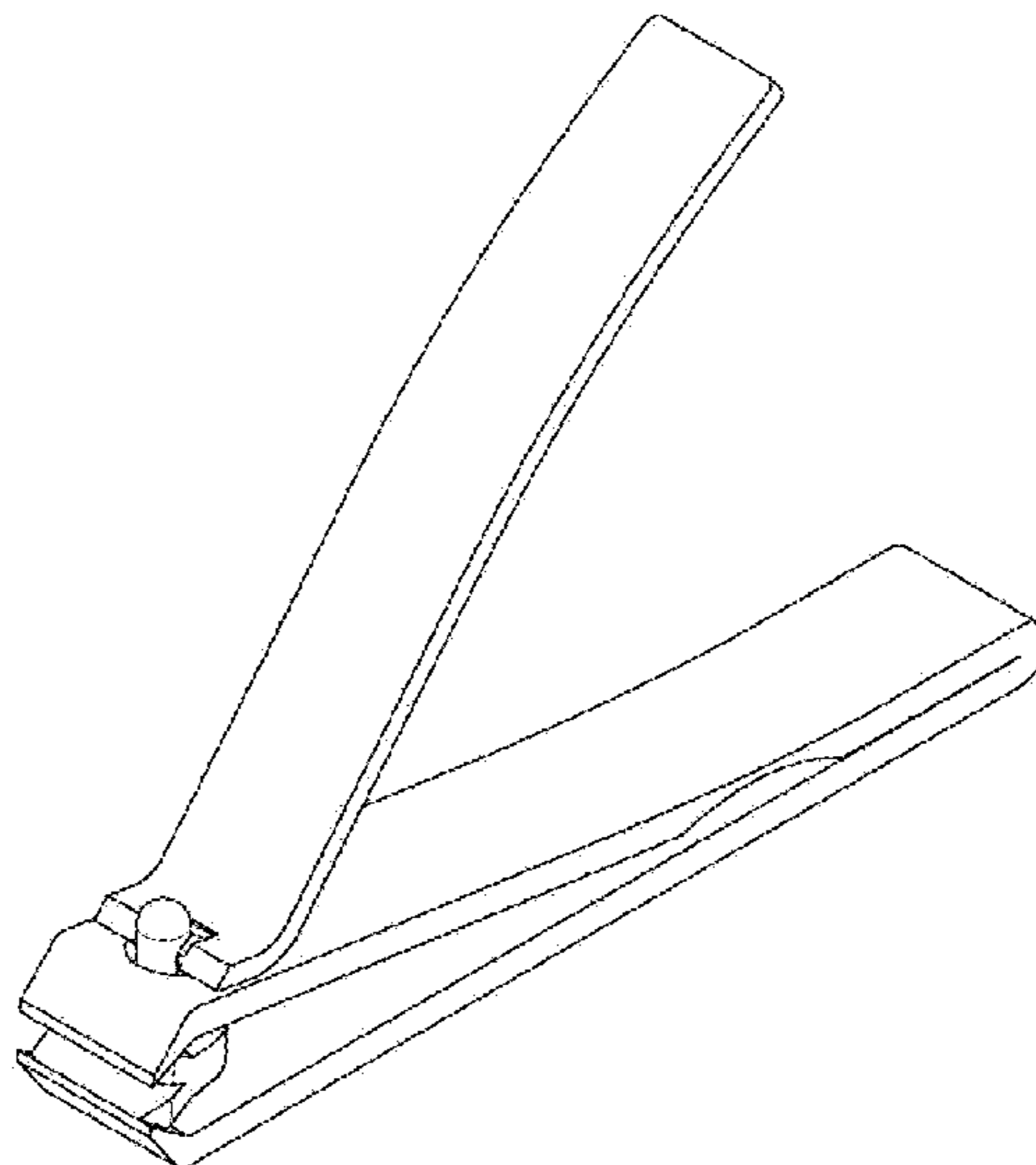
(57) **CLAIM**  
The ornamental design for a nail clipper, as shown and described.

(56) **References Cited**  
U.S. PATENT DOCUMENTS  
3,937,234 A \* 2/1976 Loda ..... A45D 29/02  
30/28  
3,943,948 A \* 3/1976 Sartore ..... A45D 29/02  
30/28  
5,490,327 A \* 2/1996 Ohori ..... A45D 29/02  
30/28  
D437,456 S \* 2/2001 Kim ..... D28/60  
D717,002 S \* 11/2014 Johnston ..... D28/55

**DESCRIPTION**

FIG. 1 is a perspective view of a nail clipper embodying the design.  
FIG. 2 is a front elevational view thereof.  
FIG. 3 is a rear elevational view thereof.  
FIG. 4 is a left side elevational view thereof.  
FIG. 5 is a right side elevational view thereof.  
FIG. 6 is a top plan view thereof; and,  
FIG. 7 is a bottom plan view thereof.

**1 Claim, 7 Drawing Sheets**



(56)

**References Cited**

## U.S. PATENT DOCUMENTS

2007/0067995 A1\* 3/2007 Alfaro ..... A45D 29/02  
30/28  
2016/0249587 A1\* 9/2016 Sobonya ..... A61D 1/005  
30/29  
2018/0020803 A1\* 1/2018 Smothermon ..... A45D 29/04  
30/28  
2018/0295966 A1\* 10/2018 Zhang ..... A45D 29/023  
D28/60  
2020/0315315 A1\* 10/2020 Paulsmeyer ..... A45D 29/02  
2021/0274908 A1\* 9/2021 Kim ..... A45D 29/02  
D28/60  
2022/0031041 A1\* 2/2022 Daugherty ..... A45D 29/02  
2022/0039534 A1\* 2/2022 Dalton ..... A45D 29/02

## OTHER PUBLICATIONS

ForPro Stainless Steel . . . [online]; [review published to the internet on Jul. 13, 2017]; [retrieved from the internet on Oct. 17, 2022]; URL: <https://www.amazon.com/ForPro-Stainless-Steel-Nail-Clipper/dp/B01NAS7XRB/> (7 pages). (Year: 2017).\*

Kaasage Nail Clipper . . . [online]; [review published to the internet on Mar. 3, 2019]; [retrieved from the internet on Oct. 17, 2022]; URL: <https://www.amazon.com/Kaasage-Nail-Clipper-File-Stainless/dp/B08VNWFLM7/> (12 pages). (Year: 2019).\*

Japanese Kai Nail . . . [online]; [published to the internet on Jun. 9, 2022]; [retrieved from the internet on Oct. 17, 2022]; URL: <https://www.amazon.com/Japanese-Clippers-Stainless-Fingernail-Toenail/dp/B0B3MV5G39/> (7 pages). (Year: 2022).\*

\* cited by examiner

FIG. 1

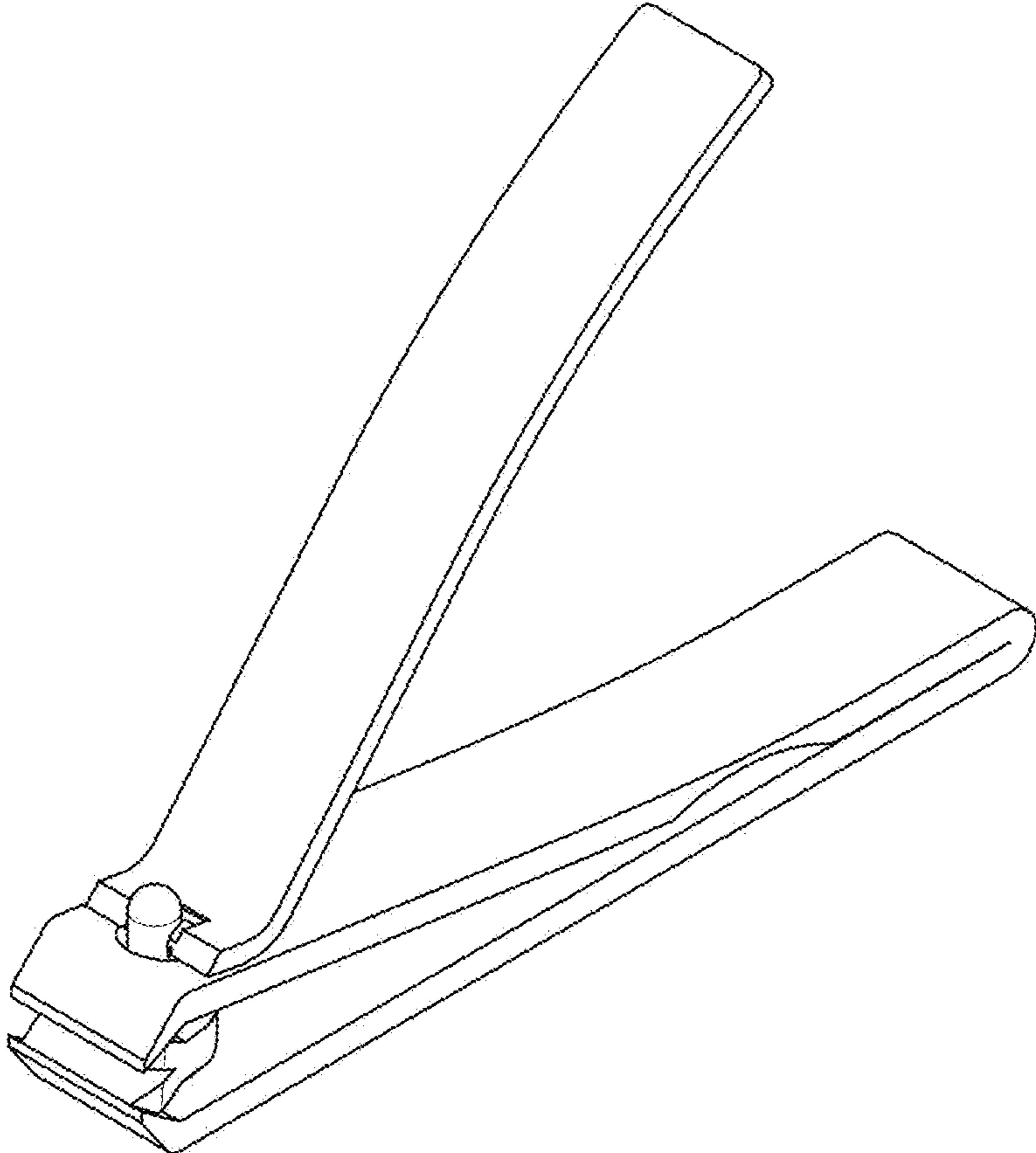


FIG. 2

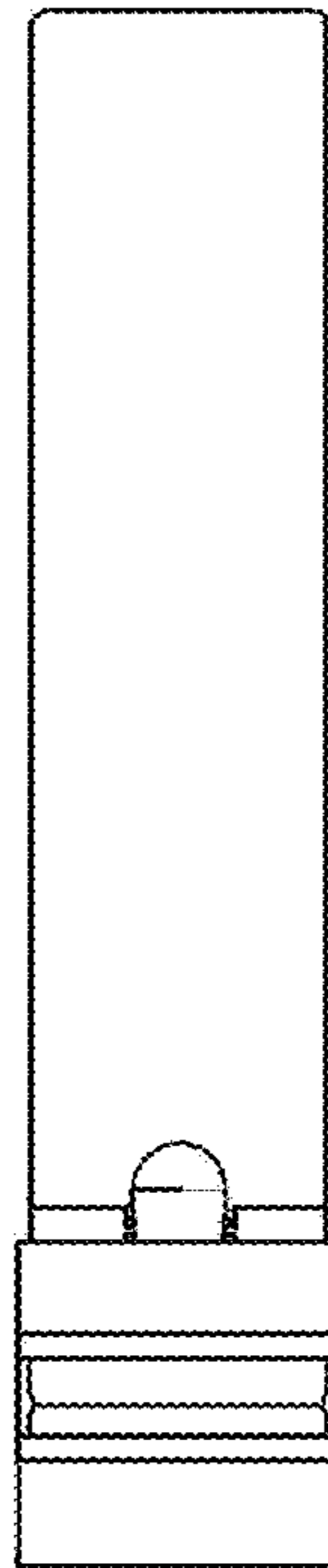


FIG. 3

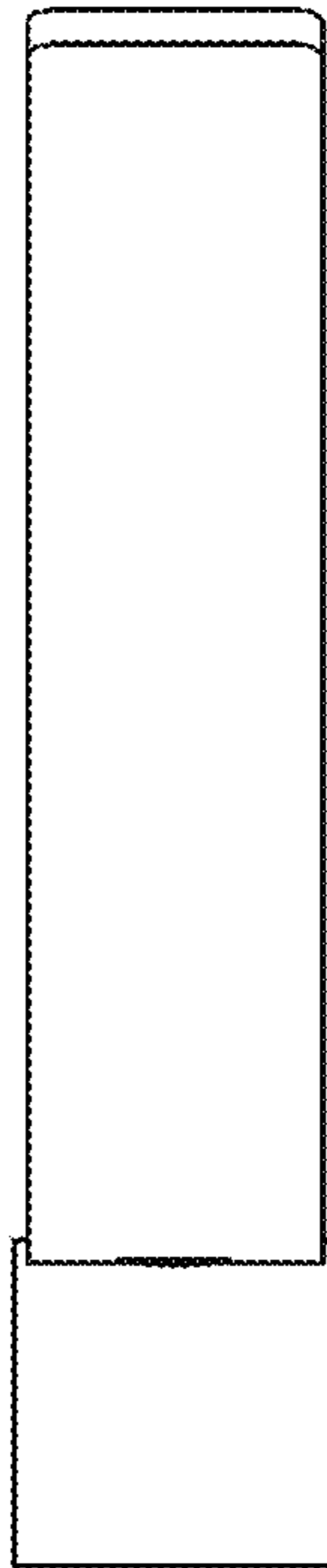


FIG. 4

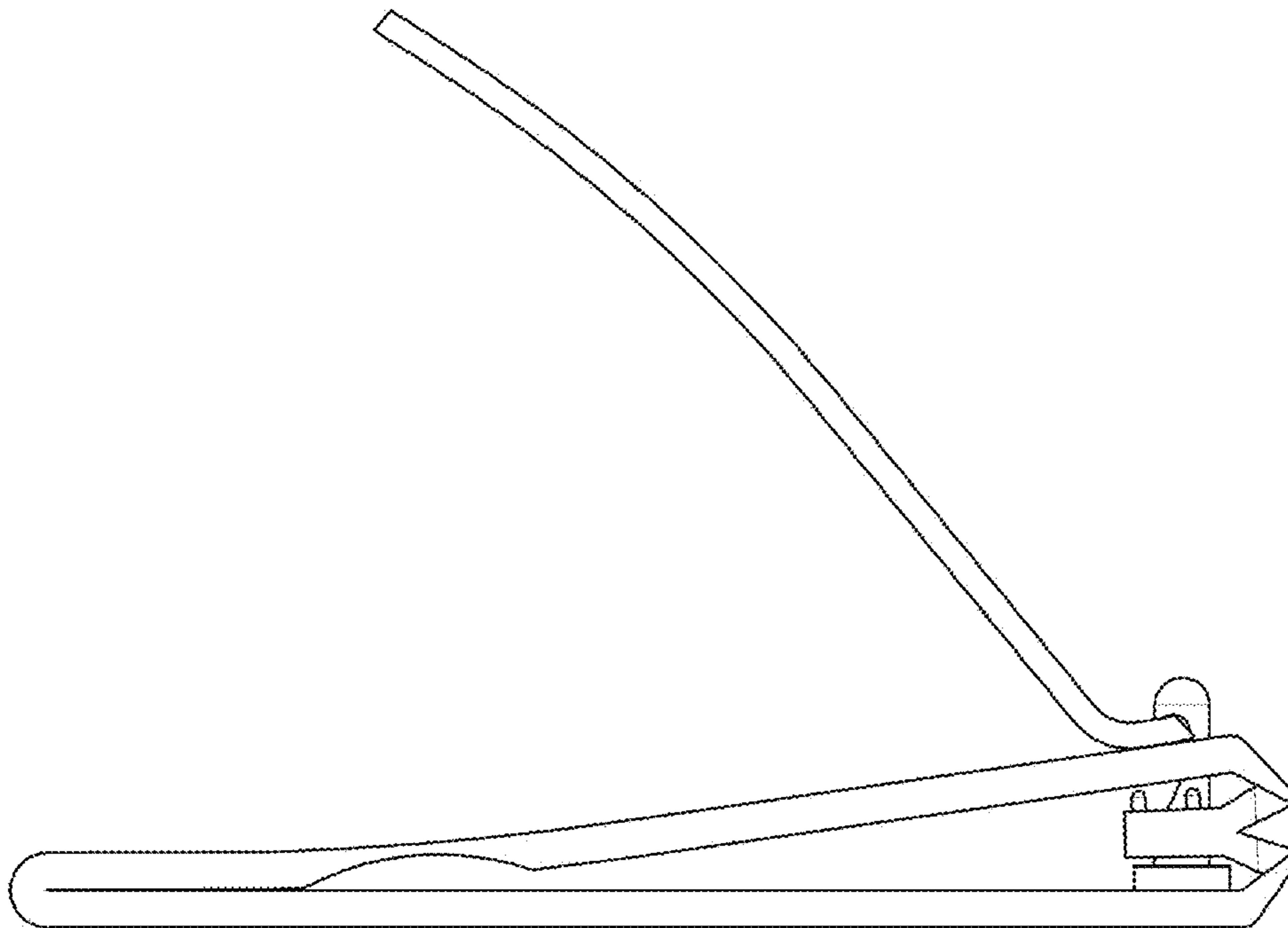


FIG. 5

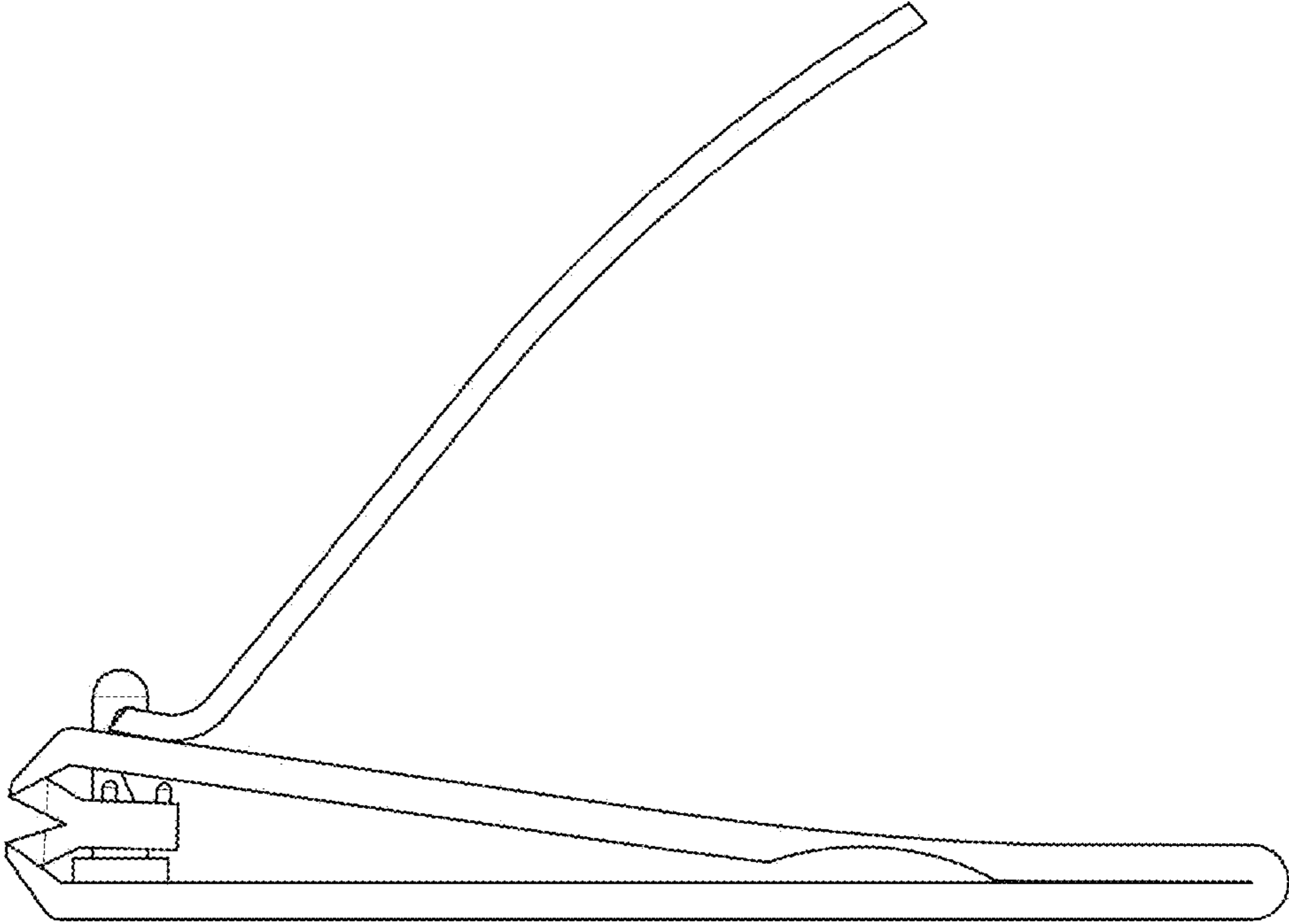


FIG. 6

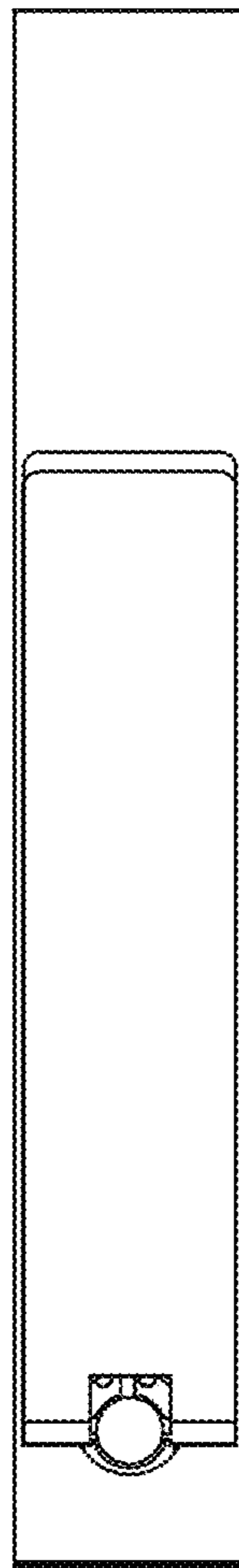




FIG. 7

