



US00D981044S

(12) **United States Design Patent**  
**Yang**

(10) **Patent No.:** **US D981,044 S**  
(45) **Date of Patent:** **\*\* Mar. 14, 2023**

(54) **GROOMING APPARATUS**

*Assistant Examiner* — Alison M Ofstun

(71) Applicant: **KONINKLIJKE PHILIPS N.V.**,  
Eindhoven (NL)

(57) **CLAIM**

The ornamental design for a grooming apparatus, as shown and described.

(72) Inventor: **Wenwen Yang**, Amsterdam (NL)

(73) Assignee: **KONINKLIJKE PHILIPS N.V.**,  
Eindhoven (NL)

**DESCRIPTION**

(\*\*) Term: **15 Years**

(21) Appl. No.: **29/754,344**

(22) Filed: **Oct. 9, 2020**

(30) **Foreign Application Priority Data**

Apr. 9, 2020 (EM) ..... 007799960

(51) **LOC (14) Cl.** ..... **28-03**

(52) **U.S. Cl.**  
USPC ..... **D28/54**

(58) **Field of Classification Search**  
USPC ..... D28/10, 21, 45–47, 51–54; D30/158,  
D30/159; D4/116, 136  
CPC ..... B26B 19/00; B26B 19/02; B26B 19/04;  
B26B 19/06; B26B 19/10; B26B 19/20;  
B26B 19/22; B26B 19/38; B26B 19/3806;  
B26B 21/00; B26B 21/22; B26B 21/40;  
B26B 21/4012; B26B 21/4018

See application file for complete search history.

(56) **References Cited**

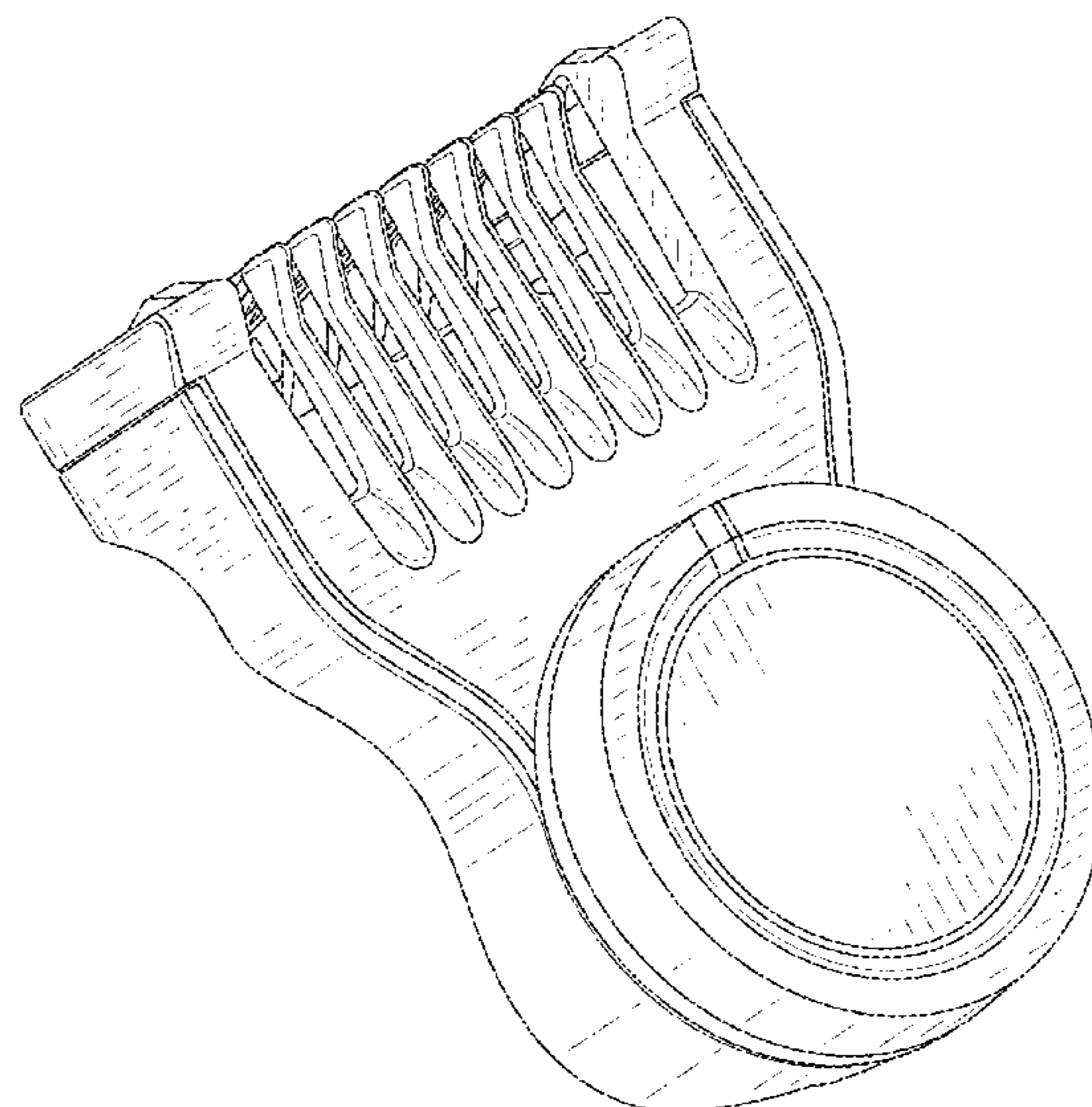
**U.S. PATENT DOCUMENTS**

D224,847 S \* 9/1972 Thomas ..... D28/21  
D307,192 S \* 4/1990 Saferstein ..... D28/25  
D408,587 S \* 4/1999 De Visser ..... D28/53  
D591,907 S \* 5/2009 Micinilio ..... D28/54  
D628,743 S \* 12/2010 Shoavi ..... D28/52

(Continued)

*Primary Examiner* — Jennifer Rivard

**1 Claim, 11 Drawing Sheets**



(56)

**References Cited**

U.S. PATENT DOCUMENTS

D658,331 S *	4/2012	Yoon .....	D28/54
D675,379 S *	1/2013	Yoon .....	D28/54
D675,380 S *	1/2013	Yoon .....	D28/54
D754,399 S *	4/2016	Andersson .....	D28/54
D767,207 S *	9/2016	Dekliein .....	D28/54
D813,459 S *	3/2018	Sinnott .....	D28/54
D891,702 S *	7/2020	Sanders .....	D28/54
2014/0215832 A1 *	8/2014	Julemont .....	A45D 24/36 30/200

\* cited by examiner

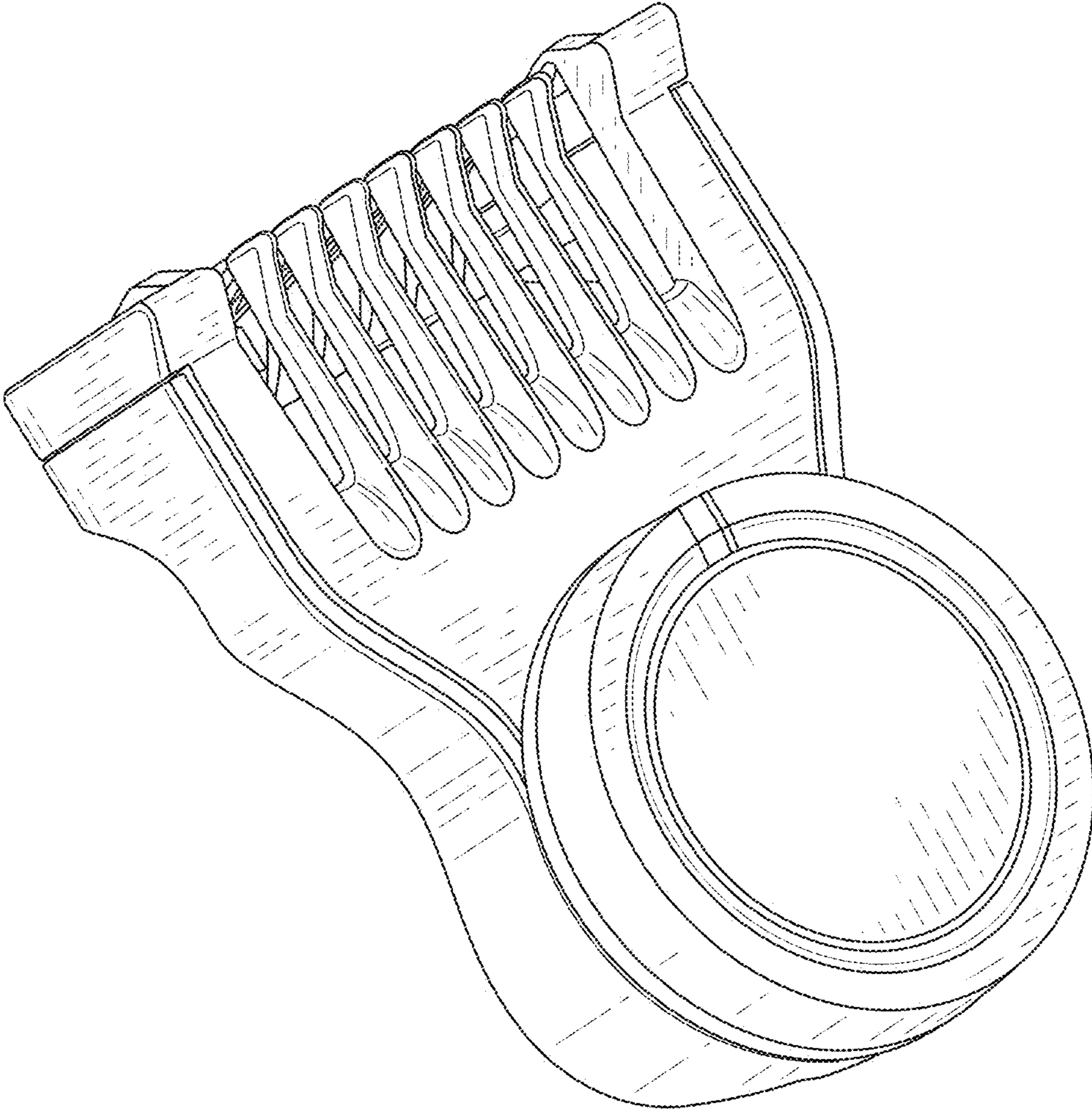


FIG. 1

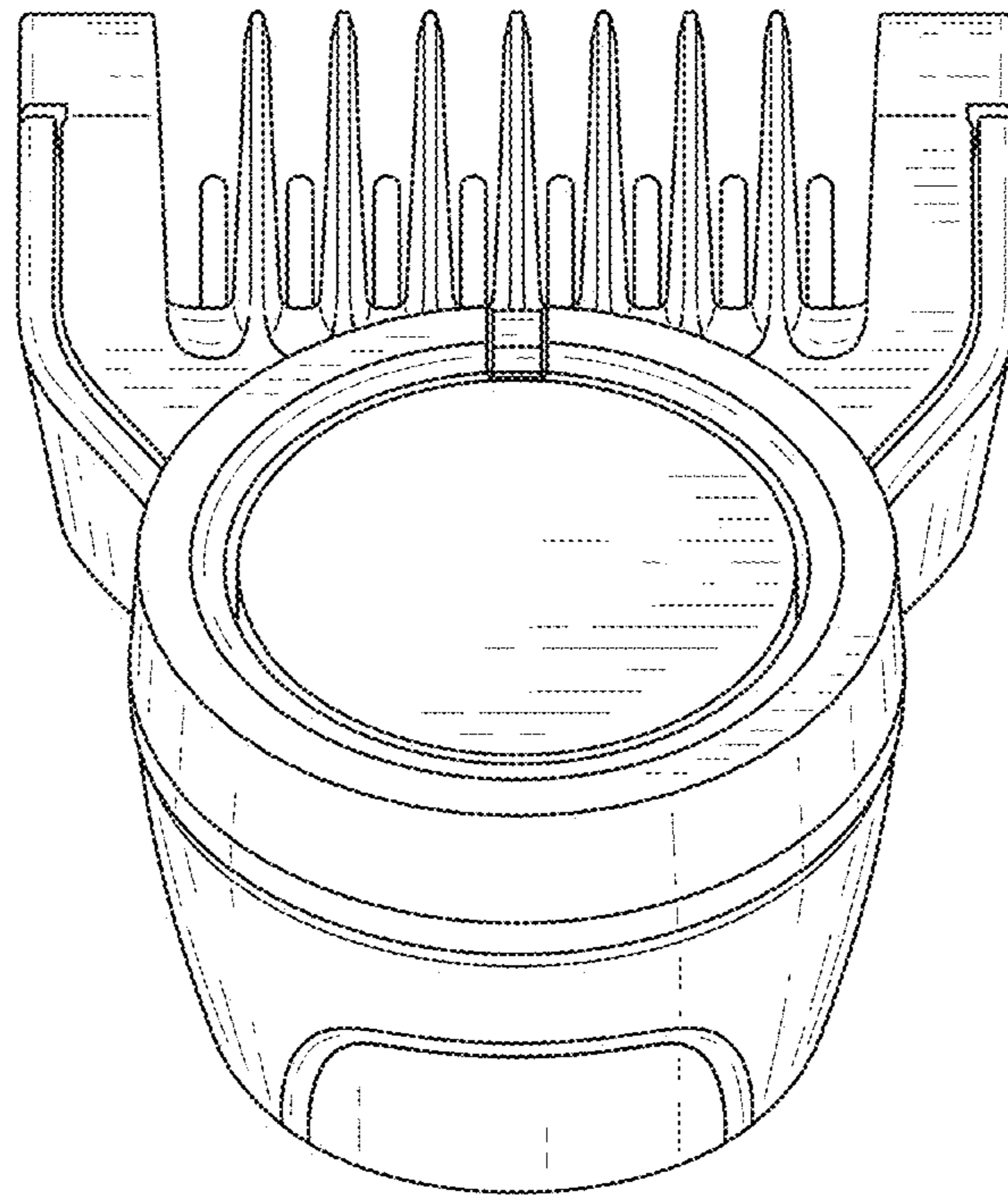


FIG. 2

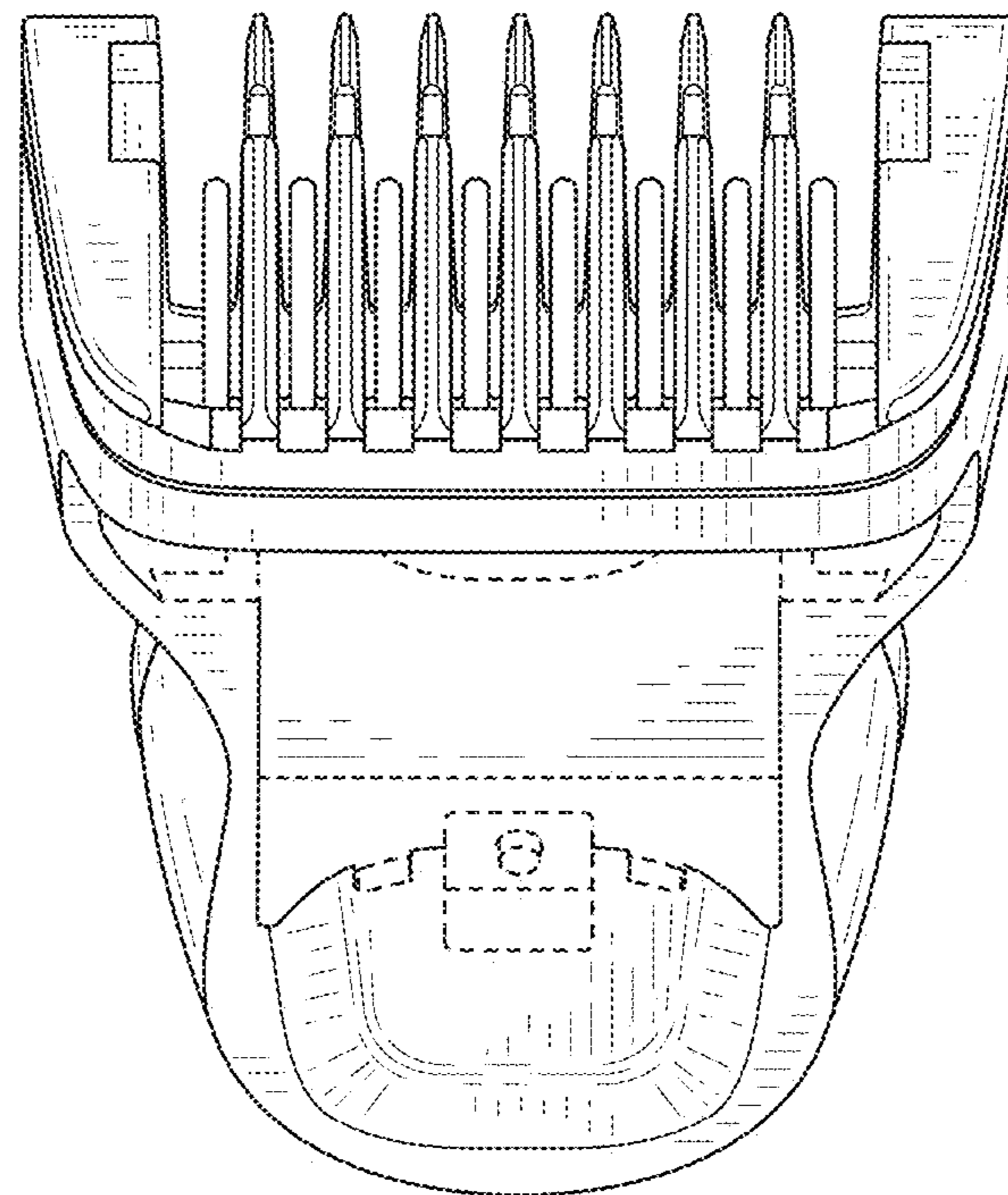


FIG. 3

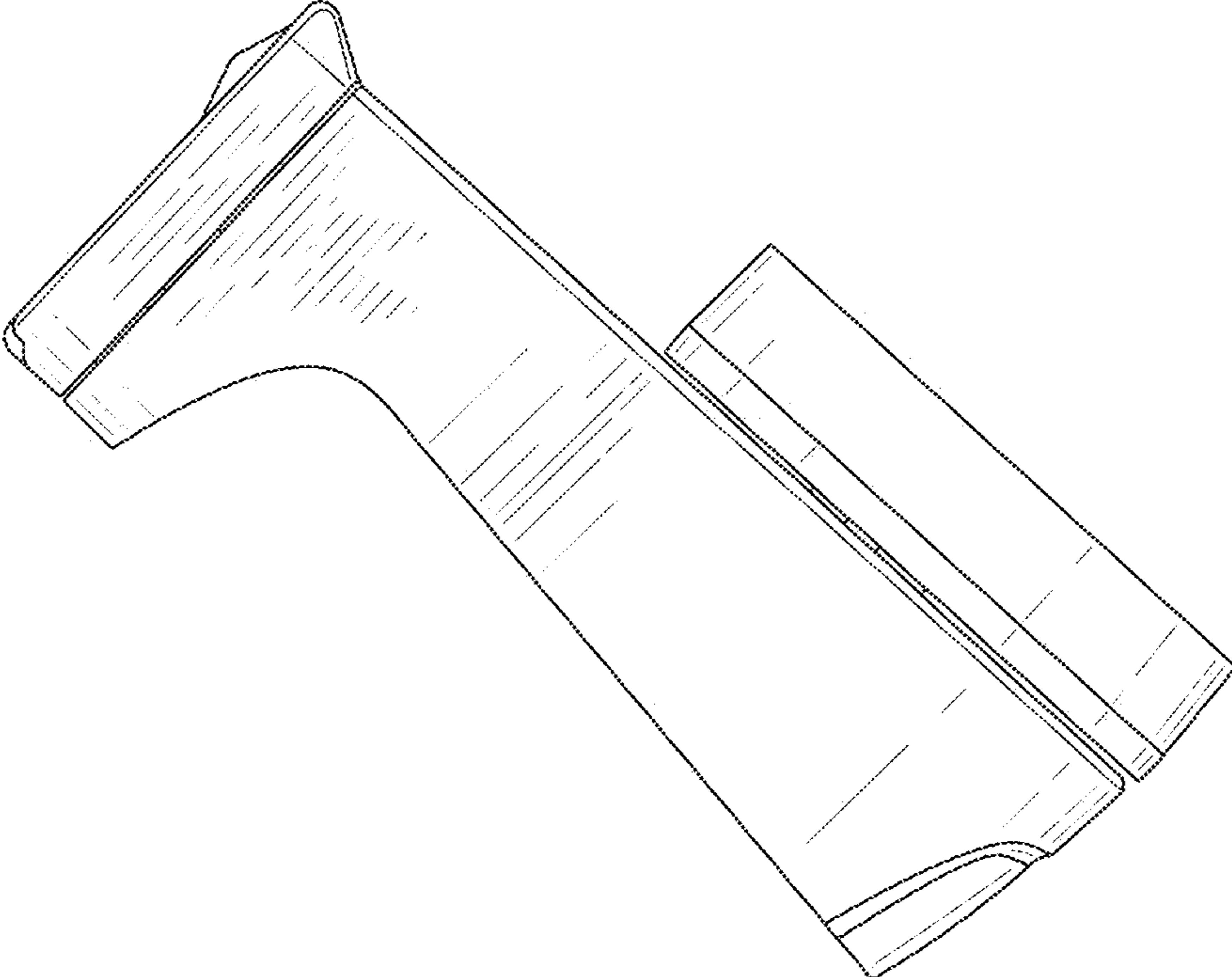


FIG. 4

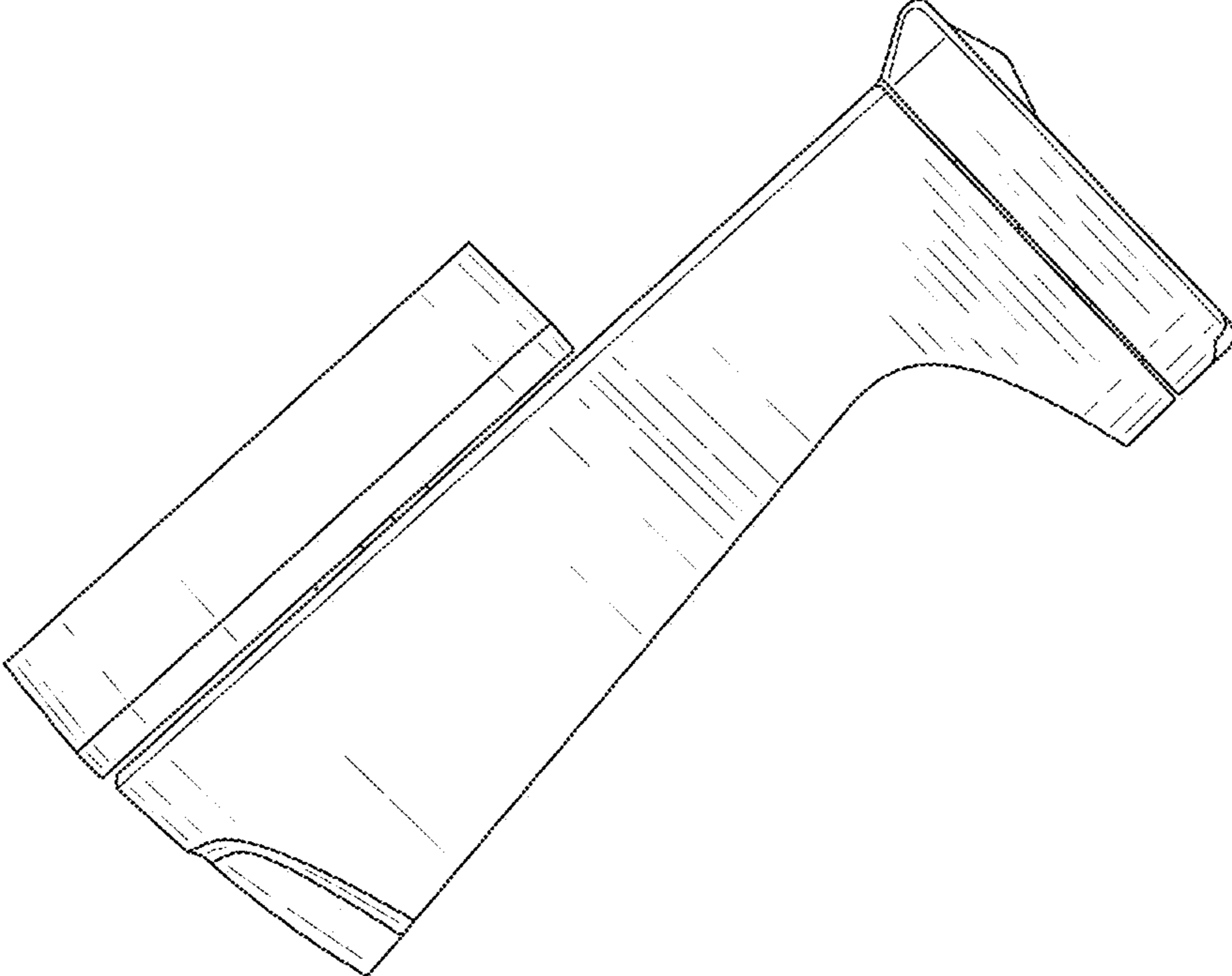


FIG. 5

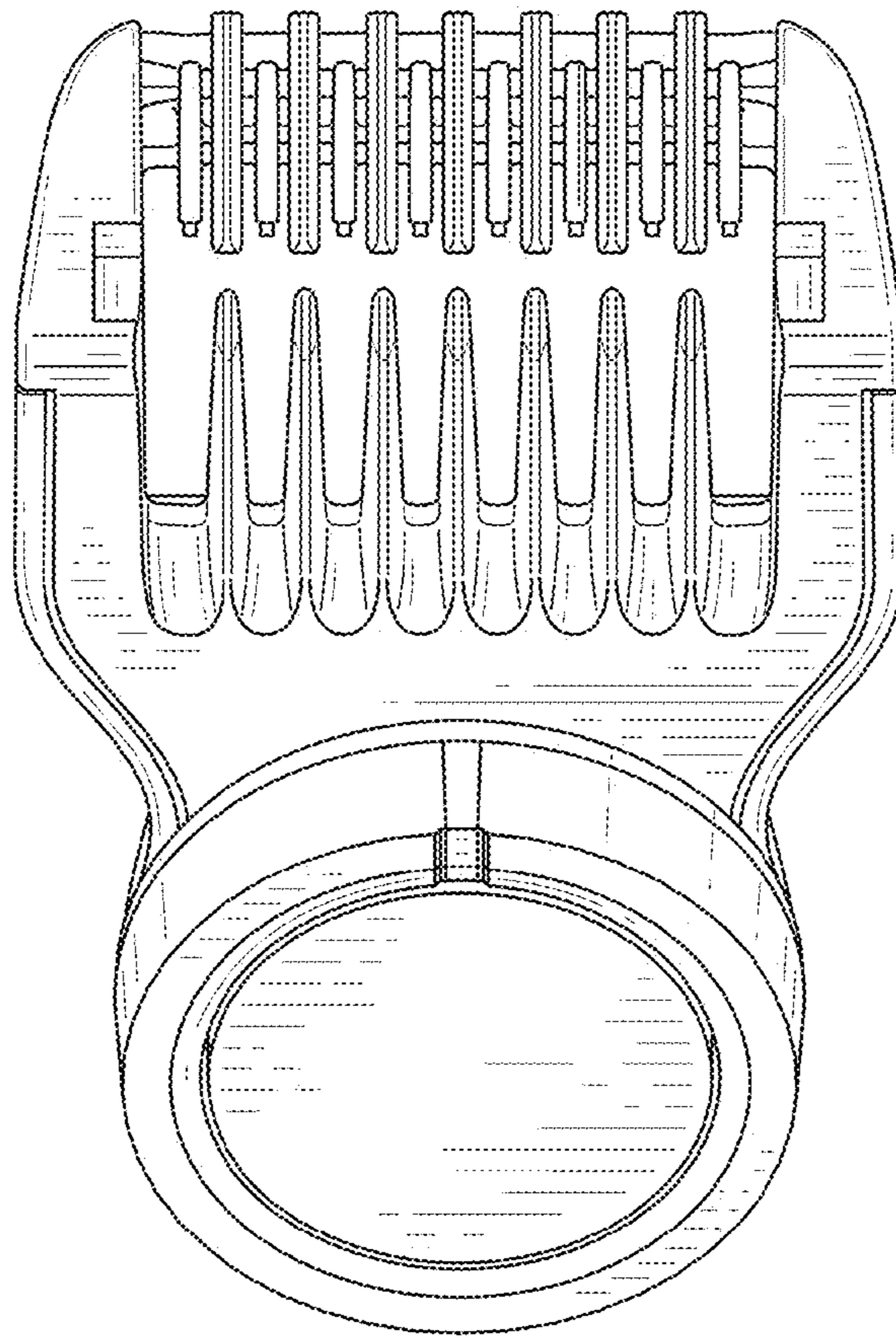


FIG. 6

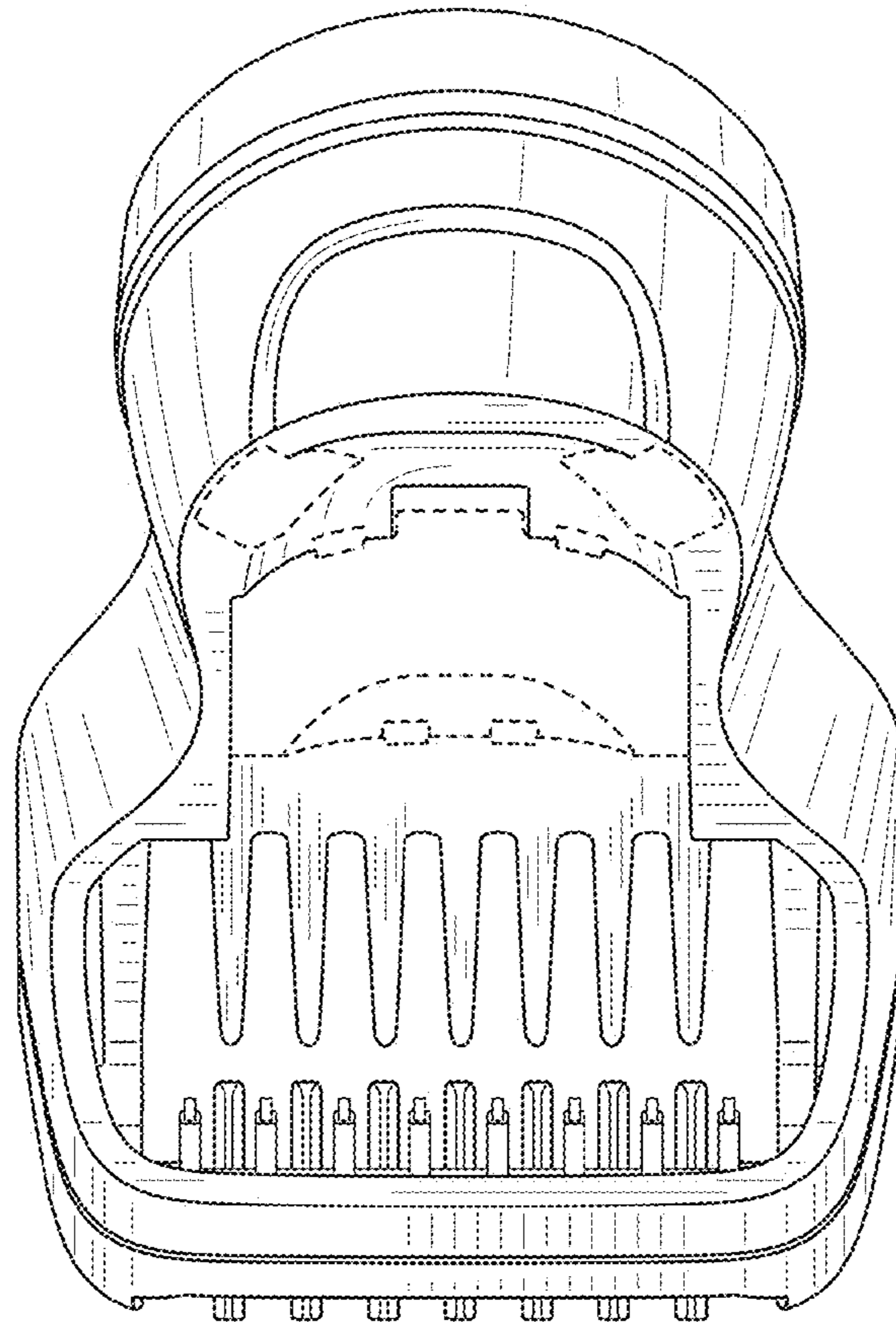


FIG. 7

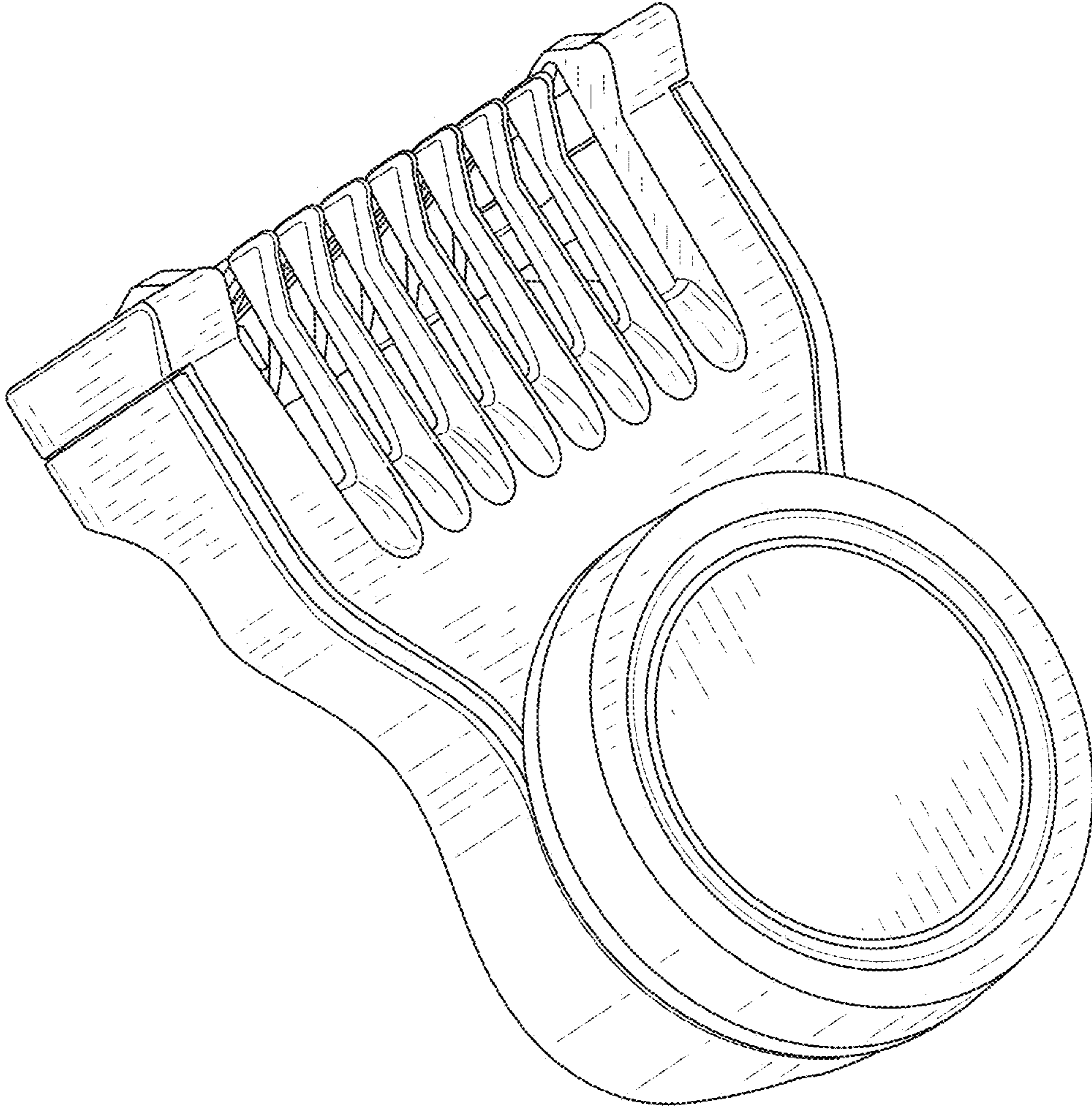


FIG. 8

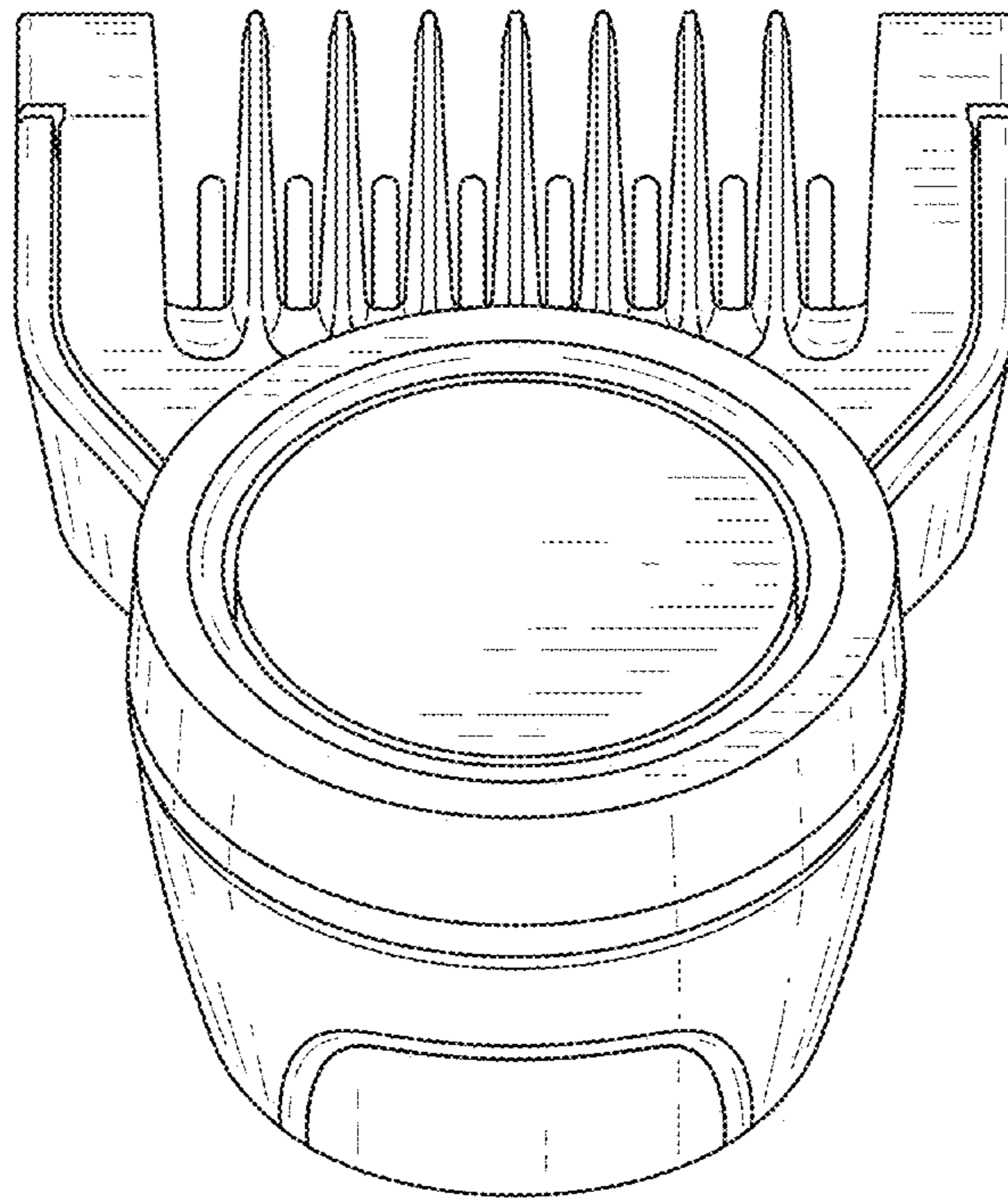


FIG. 9

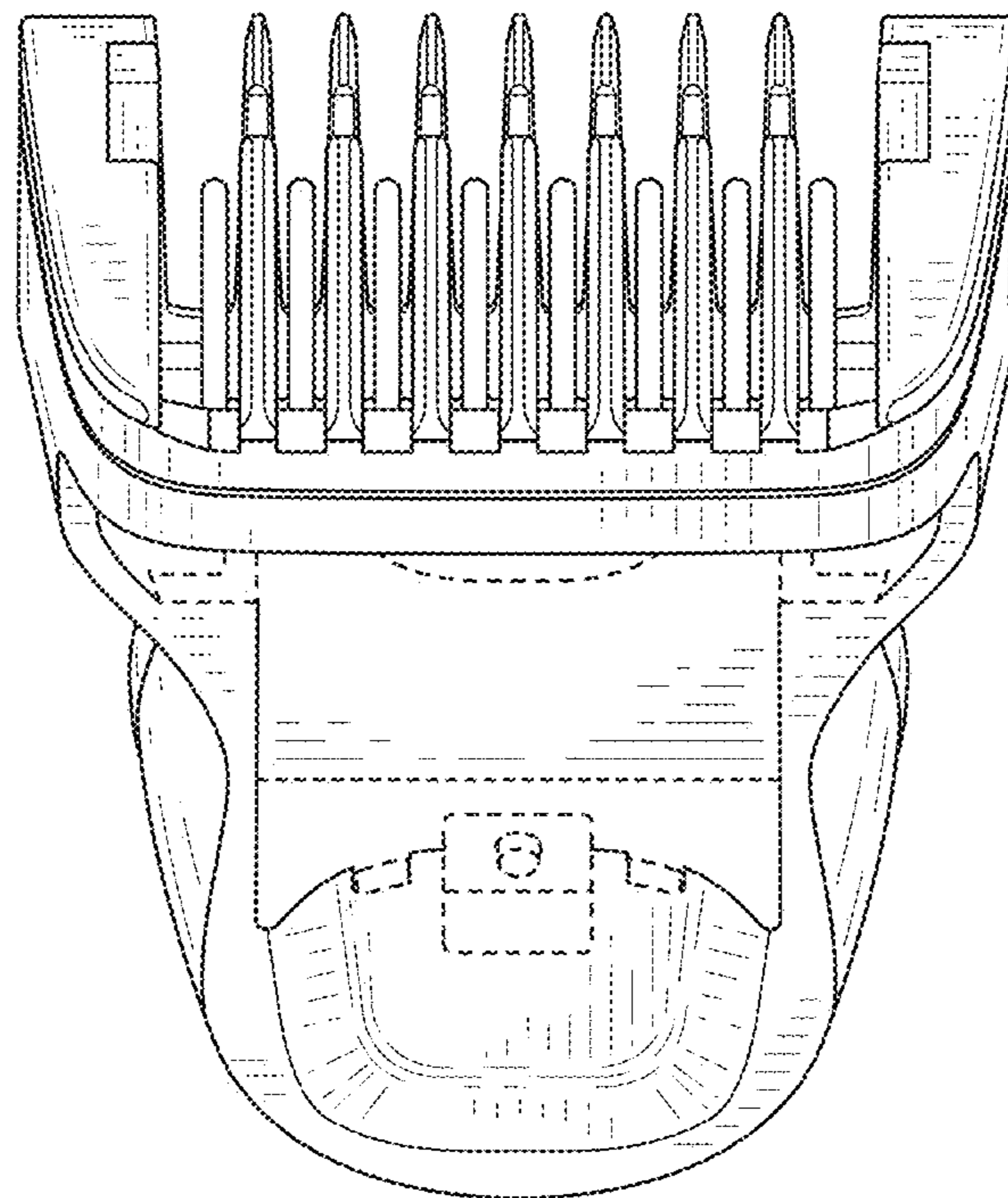


FIG. 10



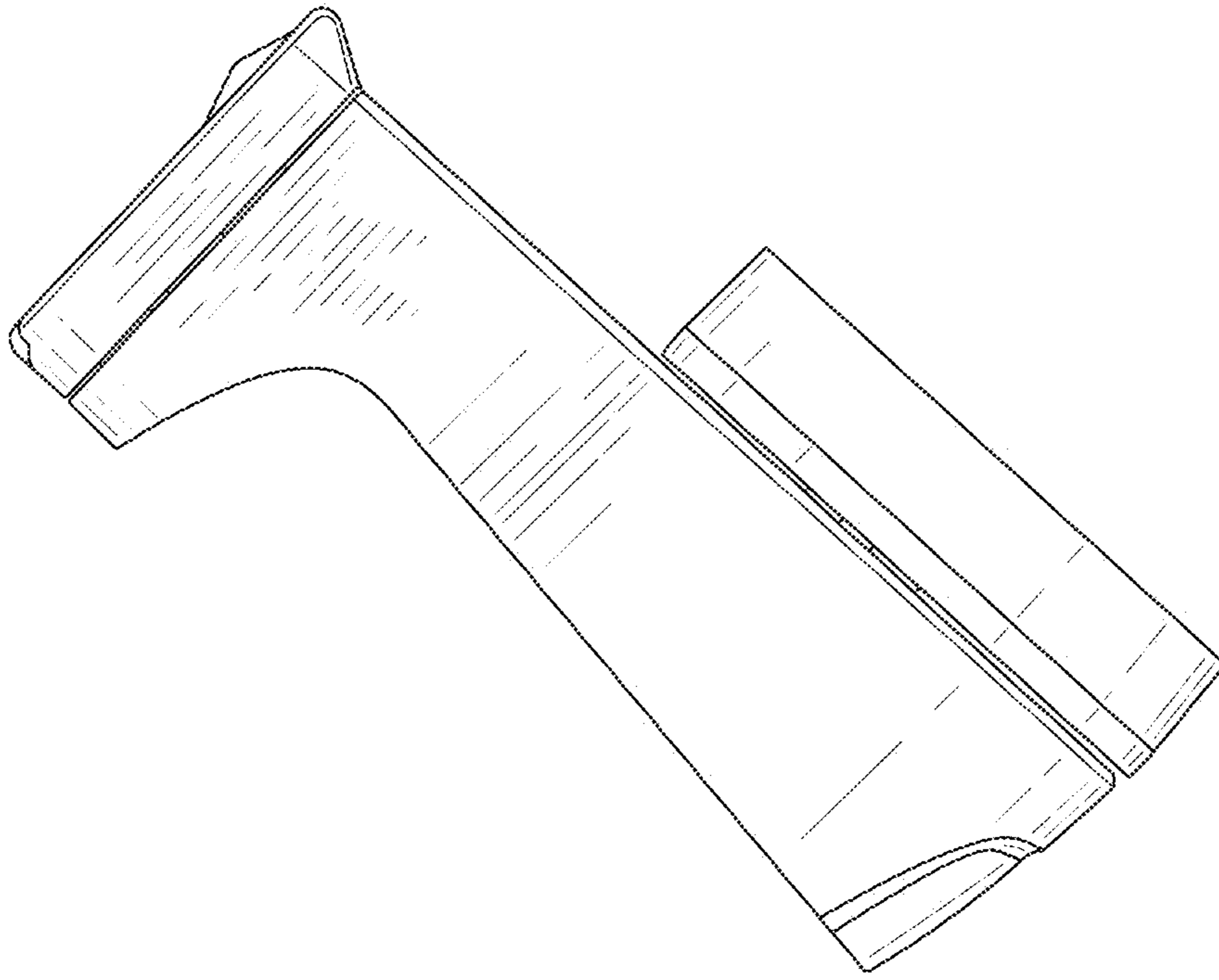


FIG. 11

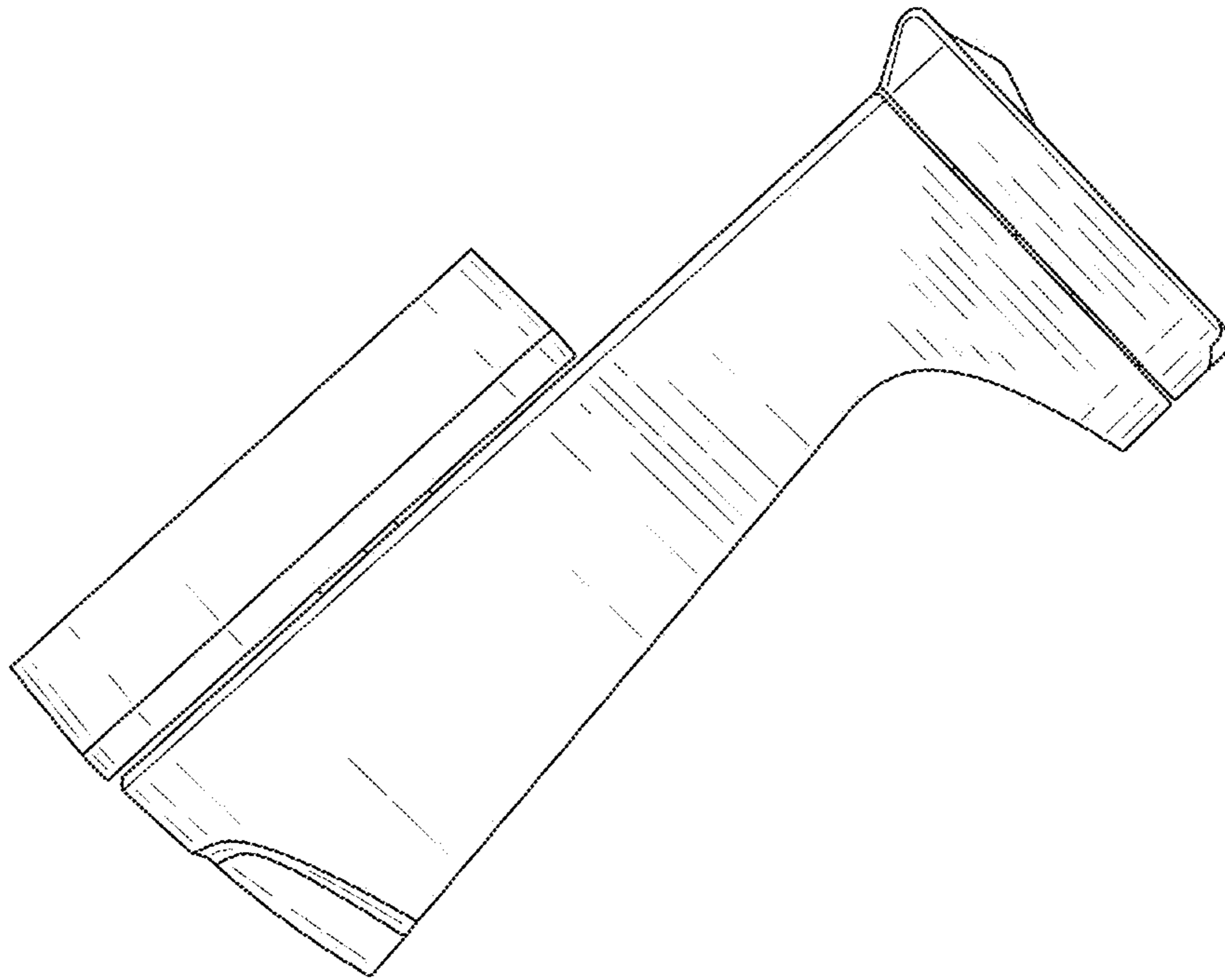


FIG. 12

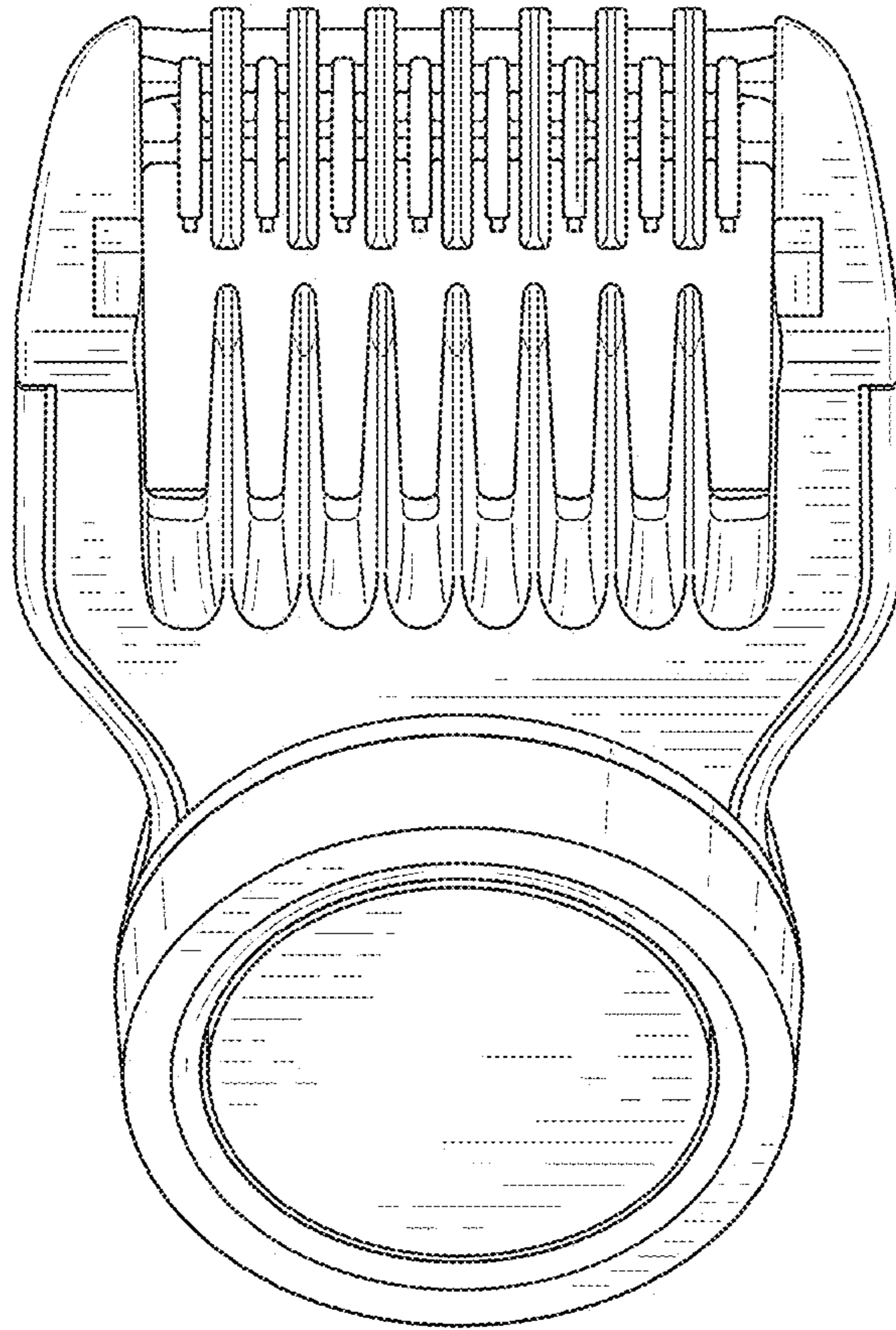


FIG. 13

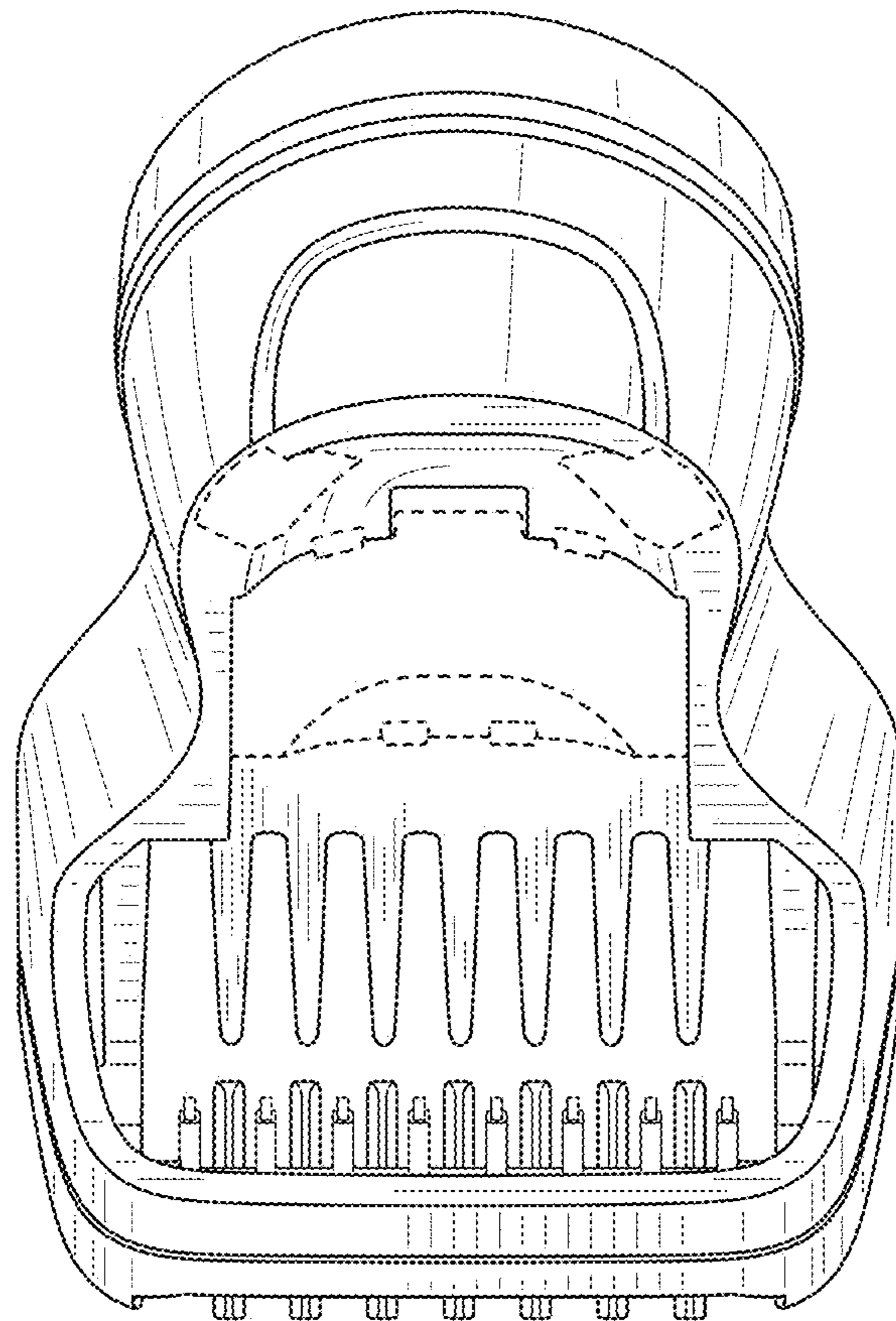


FIG. 14

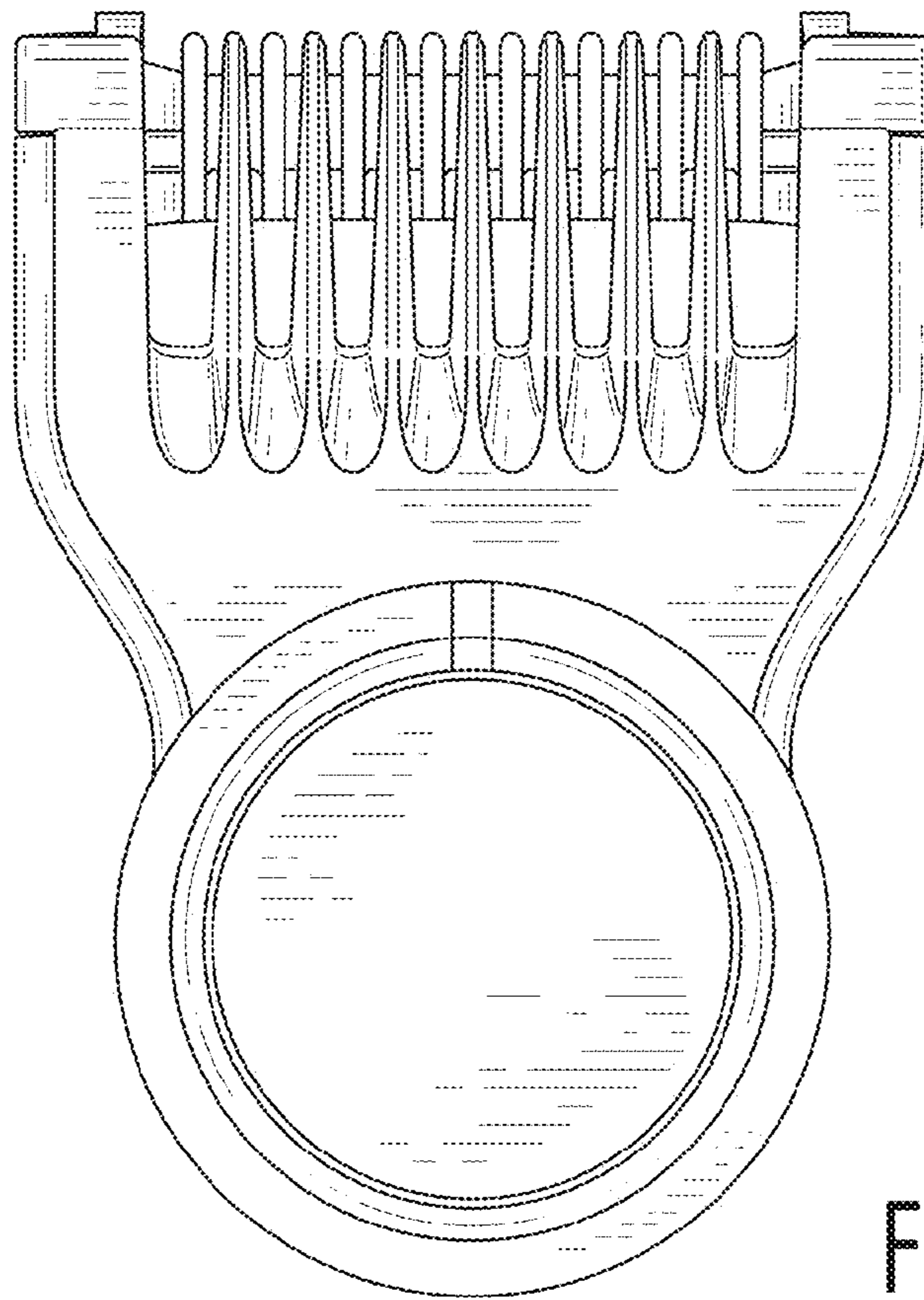


FIG. 15

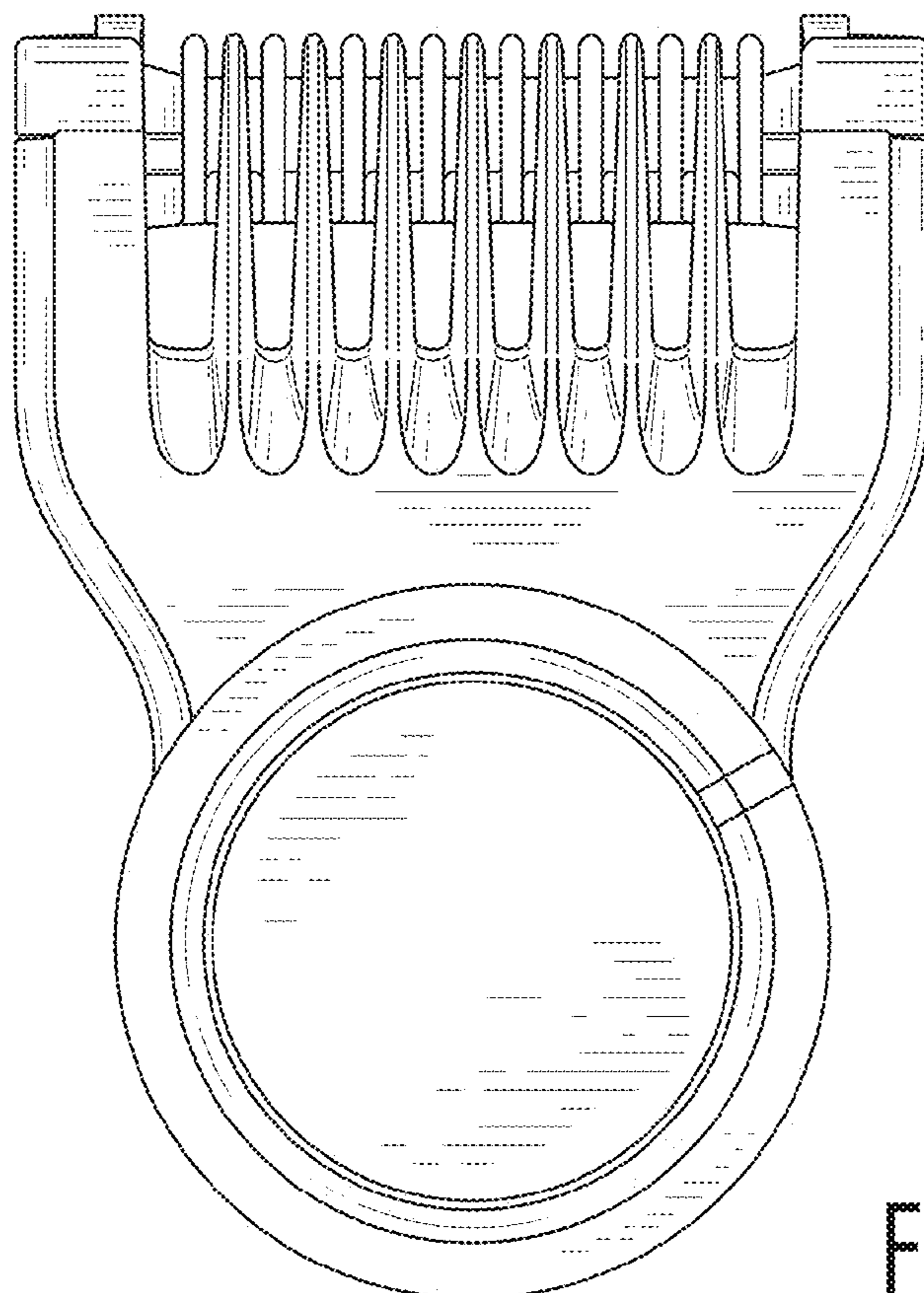


FIG. 16

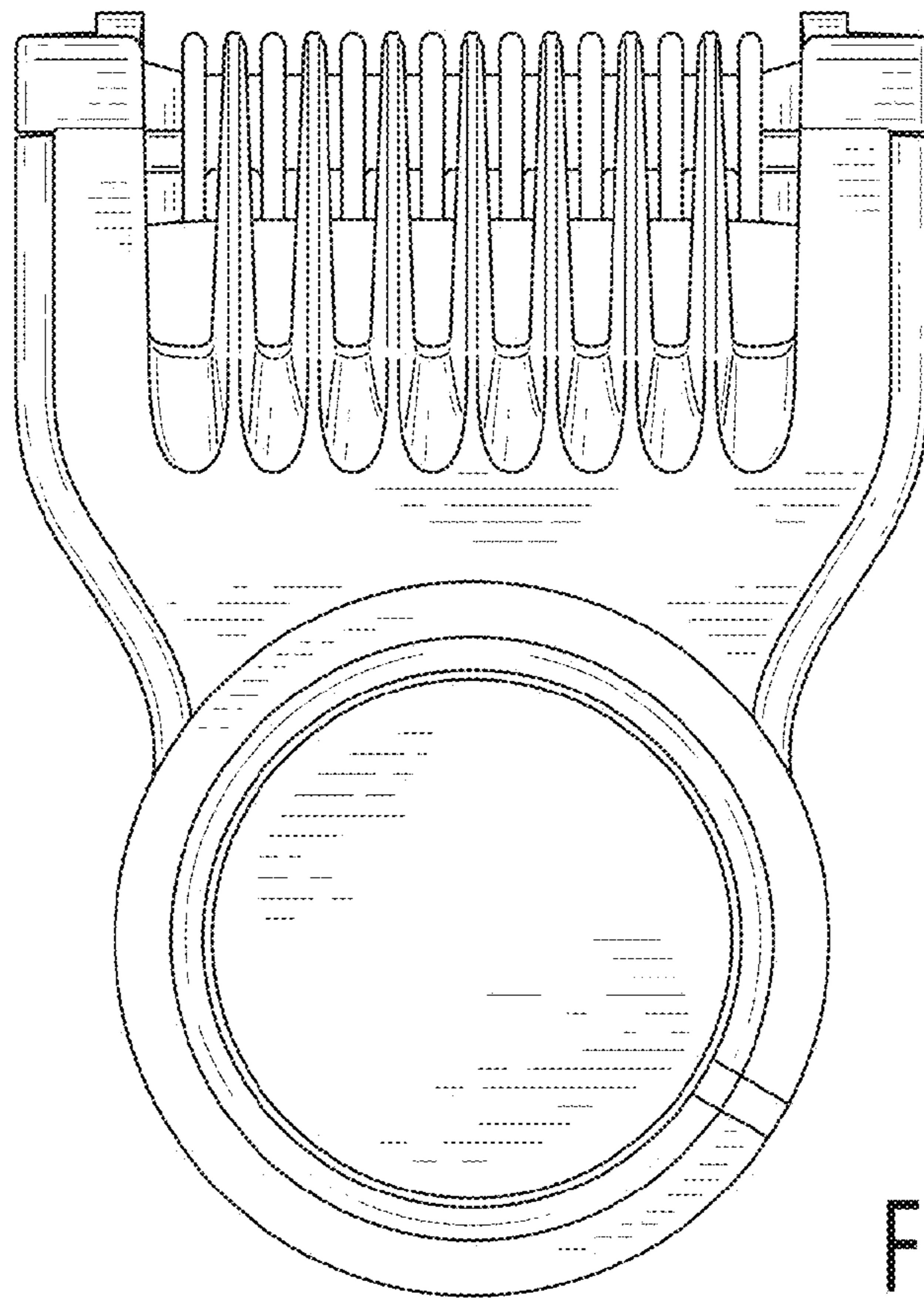


FIG. 17

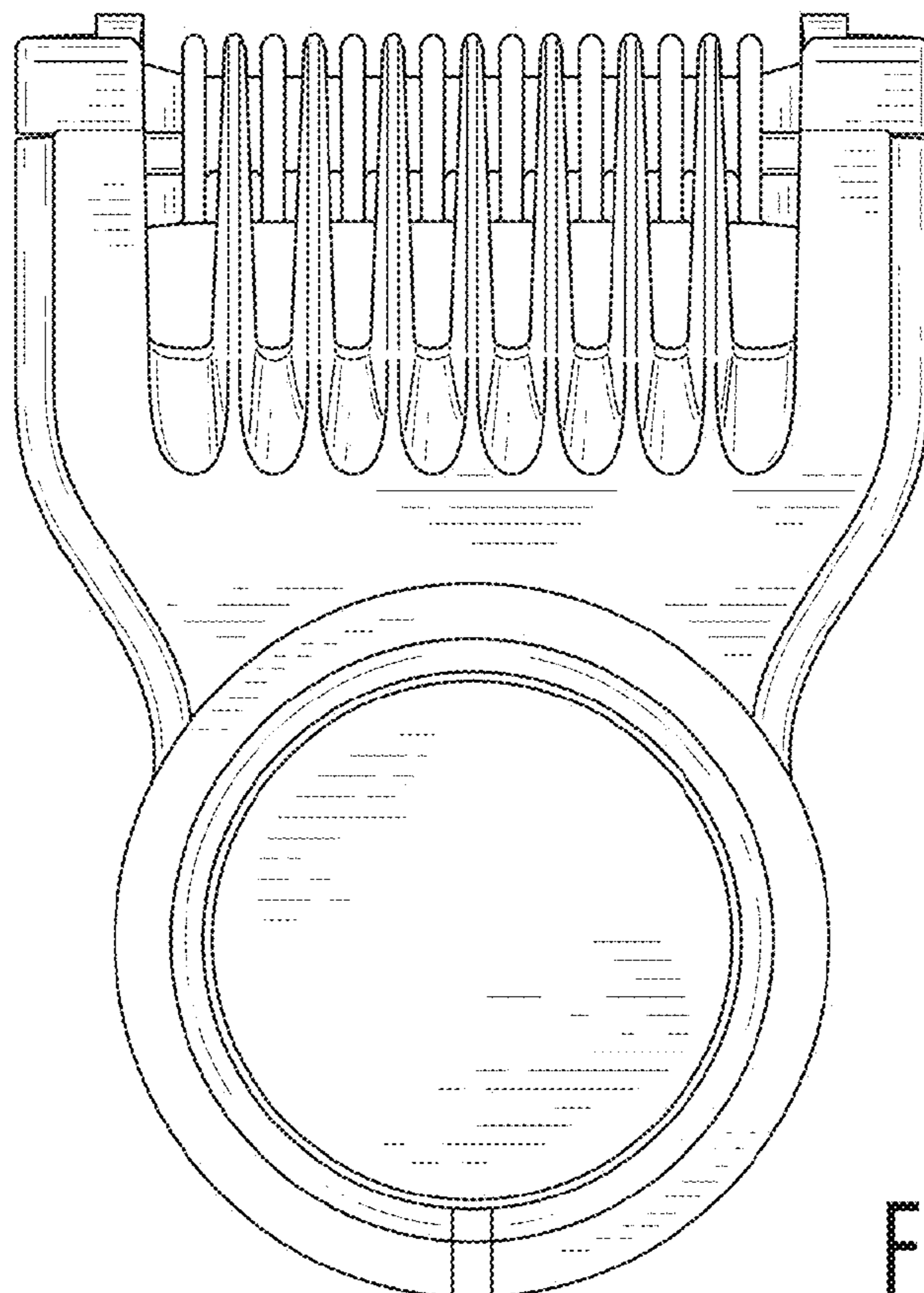


FIG. 18

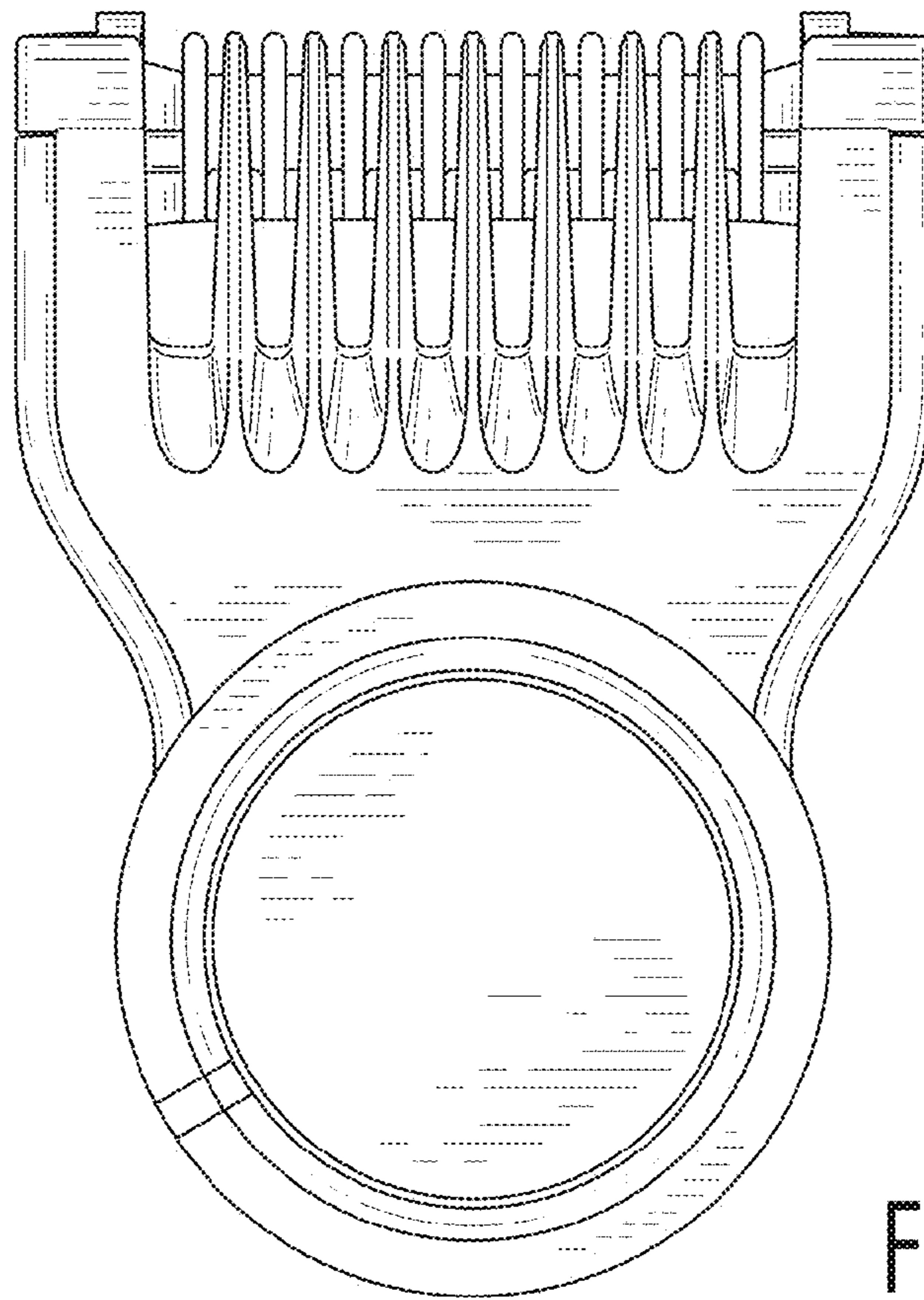


FIG. 19

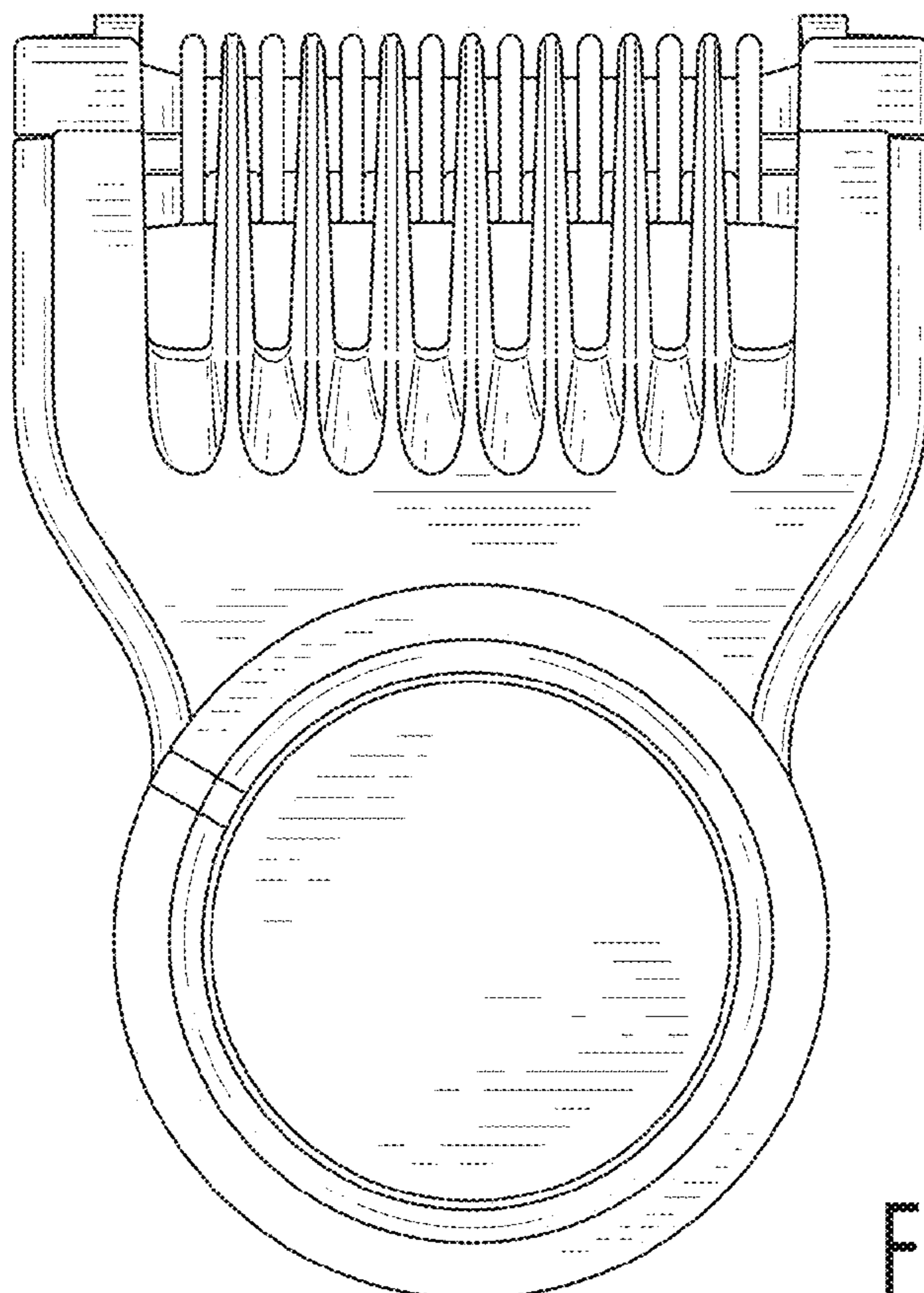


FIG. 20