



US00D981042S

(12) **United States Design Patent**
Lai et al.

(10) **Patent No.:** **US D981,042 S**
(45) **Date of Patent:** **** Mar. 14, 2023**

(54) **HAIR CLIPPER**

(71) Applicant: **Sifang Lai**, Guangdong (CN)

(72) Inventors: **Sifang Lai**, Guangdong (CN); **Dong Wang**, Zhejiang (CN)

(73) Assignee: **Sifang Lai**, Guangdong (CN)

(**) Term: **15 Years**

(21) Appl. No.: **29/824,314**

(22) Filed: **Jan. 24, 2022**

(30) **Foreign Application Priority Data**

Dec. 9, 2021 (CN) 202130813827.5

(51) **LOC (14) Cl.** **28-03**

(52) **U.S. Cl.**
USPC **D28/53**

(58) **Field of Classification Search**
USPC D28/53
CPC B26B 19/20–205; B26B 19/10–107; B26B 19/02–08
See application file for complete search history.

(56) **References Cited**

U.S. PATENT DOCUMENTS

- D435,936 S * 1/2001 Long D28/54
- D497,452 S * 10/2004 Nielsen D28/53
- D534,689 S * 1/2007 Gross D28/53
- D571,504 S * 6/2008 Long D28/54
- D597,254 S * 7/2009 Eddinger D28/54
- D673,731 S * 1/2013 Skuhra D28/53
- D676,199 S 2/2013 Julemont
- D683,900 S 6/2013 Julemont
- D715,490 S * 10/2014 Aulwes D28/54
- 9,038,276 B2 * 5/2015 Arndt B26B 19/06 30/208
- D758,665 S * 6/2016 Skuhra D28/54

- D821,652 S * 6/2018 Skuhra D28/53
- 10,059,013 B2 * 8/2018 Skuhra B26B 19/3853
- D844,245 S * 3/2019 Wu D28/53
- D846,192 S * 4/2019 Wu D28/53
- D847,432 S * 4/2019 Aulwes D28/54

(Continued)

OTHER PUBLICATIONS

Supreme Hair Trimmer Clippers, www.amazon.com, first available May 2022, 1 page (Year: 2022).*

Primary Examiner — Jennifer Rivard

(74) *Attorney, Agent, or Firm* — ScienBiziP, P.C.

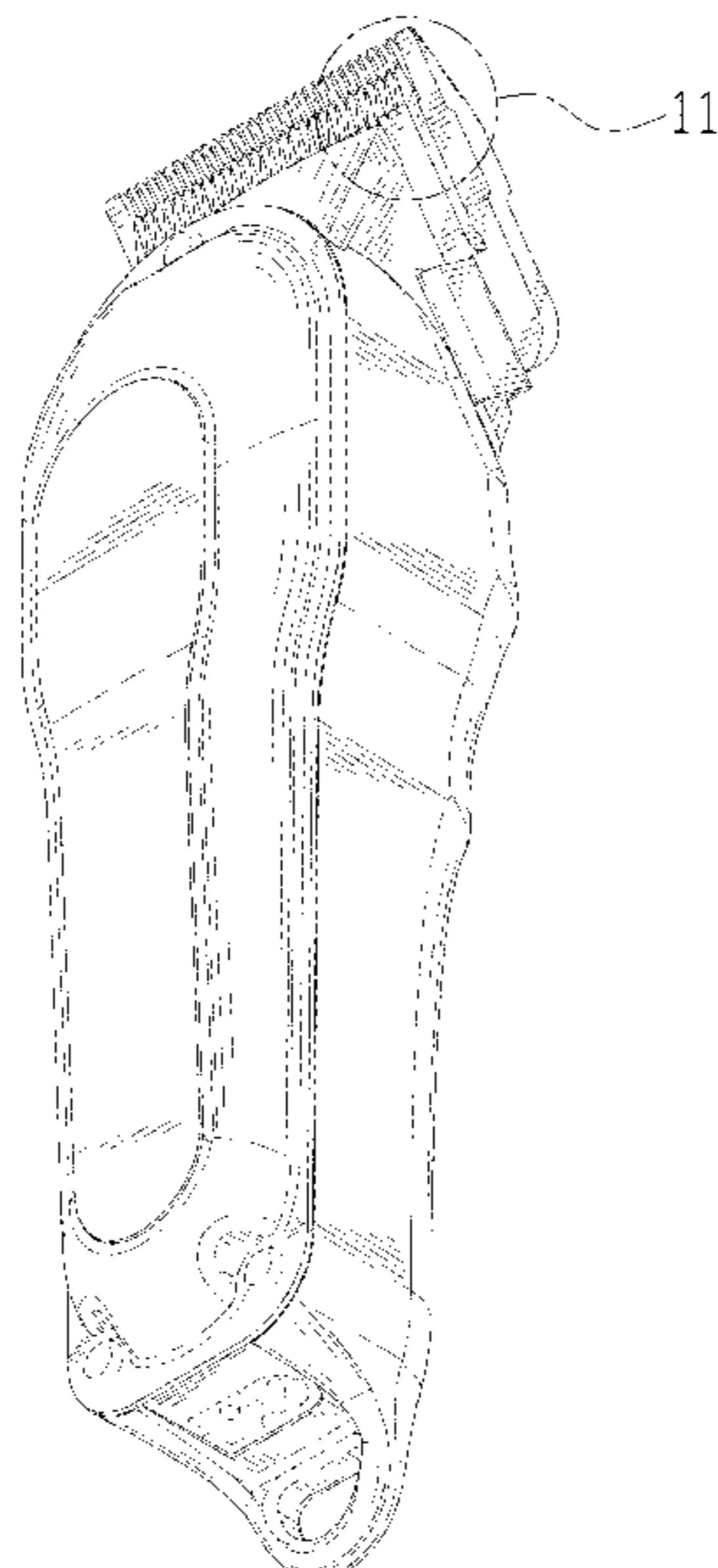
(57) **CLAIM**

The ornamental design for a hair clipper, as shown and described.

DESCRIPTION

FIG. 1 is a front, right, and top perspective view of a hair clippers, showing our design.
 FIG. 2 is a rear, left, and bottom perspective view thereof.
 FIG. 3 is a front elevation view thereof.
 FIG. 4 is a rear elevation view thereof.
 FIG. 5 is a left side elevation view thereof.
 FIG. 6 is a right side elevation view thereof.
 FIG. 7 is a top plan view thereof.
 FIG. 8 is a bottom plan view thereof.
 FIG. 9 is a partial enlarged view of an area labeled 9 in FIG. 1 comprising at least one teeth of a razor teeth.
 FIG. 10 is a partial enlarged view of an area labeled 10 in FIG. 1 comprising a switch; and,
 FIG. 11 is a partial enlarged view of an area labeled 11 in FIG. 2 comprising at least one teeth of a razor teeth.
 The broken lines shown in the drawings are included for the purpose of illustrating portions of the hair clippers that form no part of the claimed design.
 Dot-dash broken lines framing portions of the claimed design that are illustrated for enlargements form no part of the claimed design.

1 Claim, 11 Drawing Sheets



(56)

References Cited

U.S. PATENT DOCUMENTS

D912,327	S	*	3/2021	Jiang	D28/53
D923,247	S	*	6/2021	Jiang	D28/53
D923,249	S	*	6/2021	Jiang	D28/53
D930,903	S	*	9/2021	Zhuang	D28/53
D931,537	S	*	9/2021	Werner	D28/53
D939,774	S	*	12/2021	Jiang	D28/53
D947,454	S	*	3/2022	Cai	D28/53
D949,480	S	*	4/2022	Lou	D28/53
D972,216	S	*	12/2022	Skuhra	D28/54
D972,780	S	*	12/2022	Wang	D28/53
2022/0184827	A1	*	6/2022	Arndt	B26B 19/20

* cited by examiner

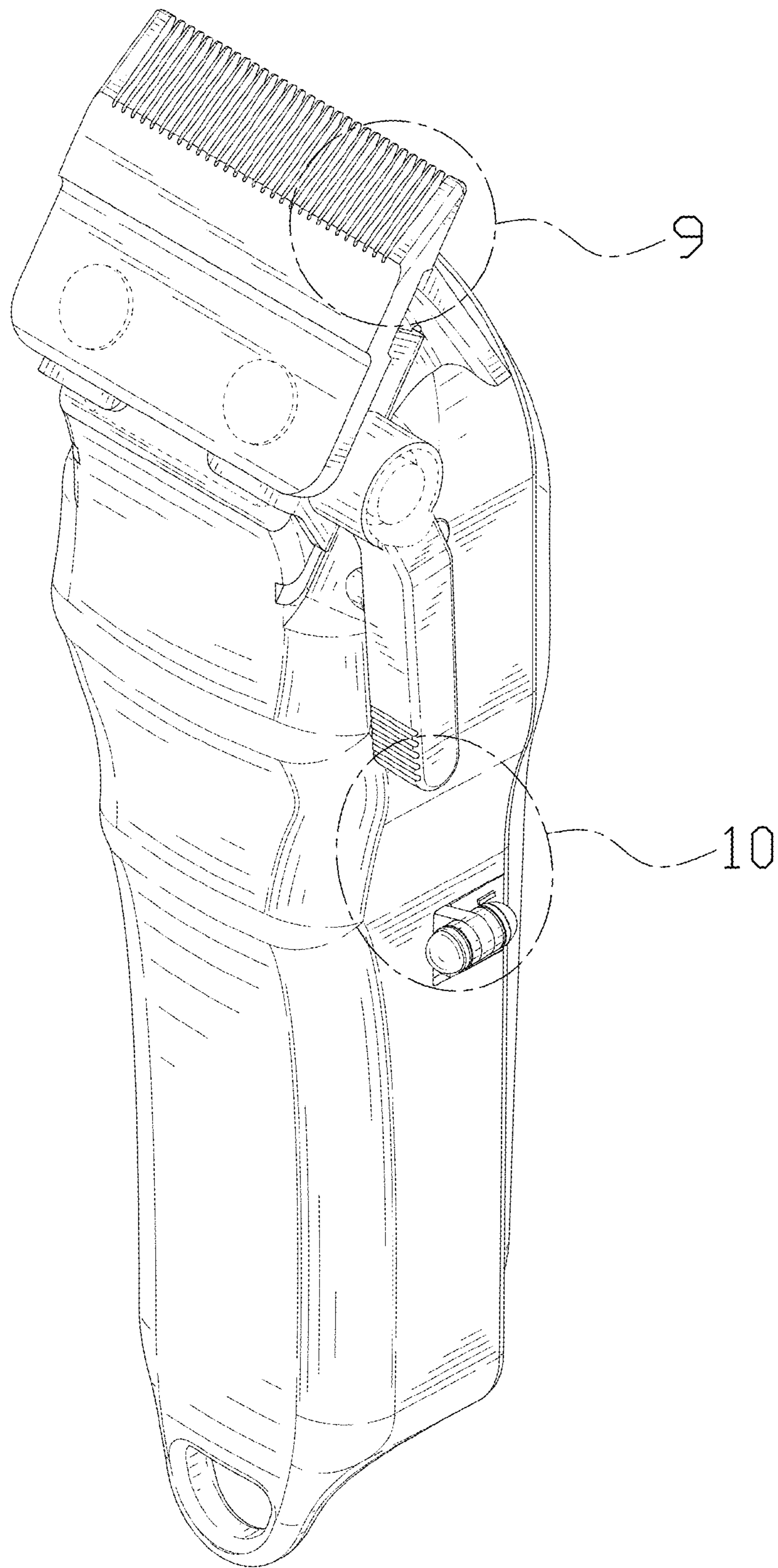


FIG. 1

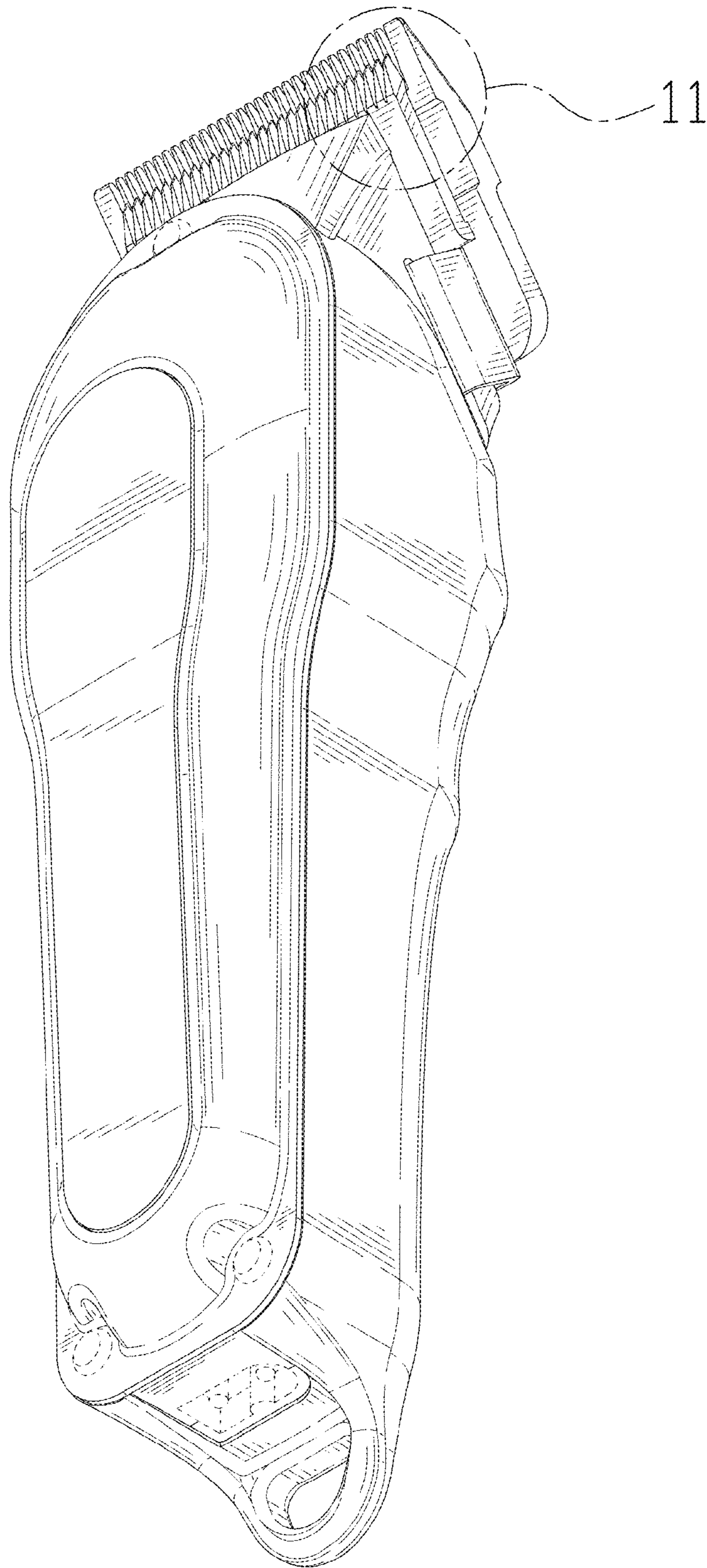


FIG. 2

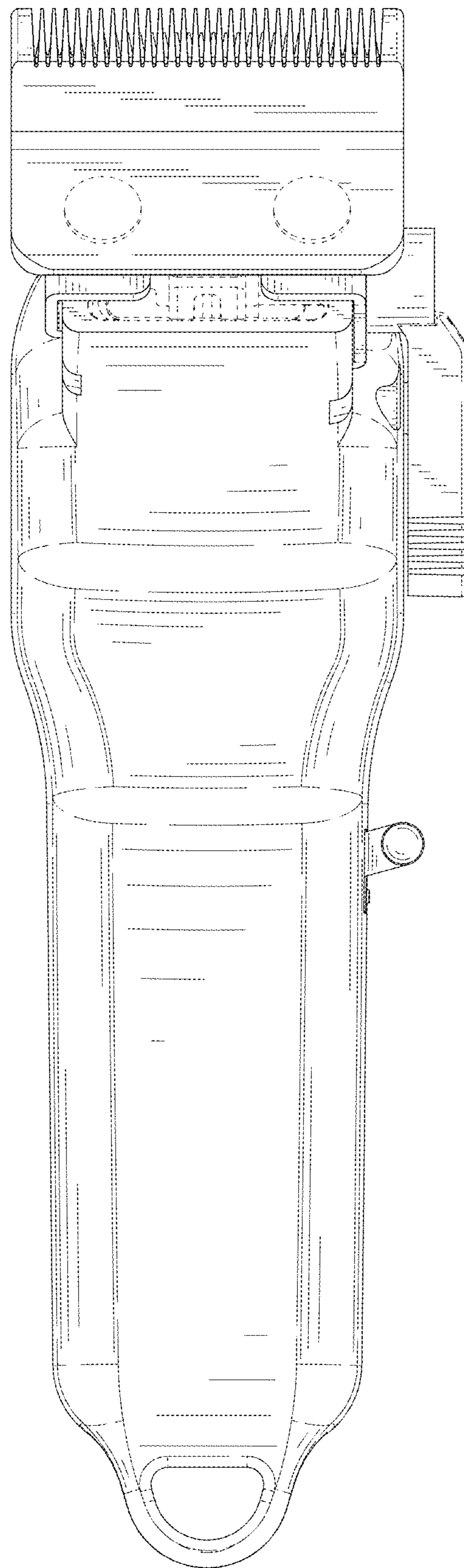


FIG. 3

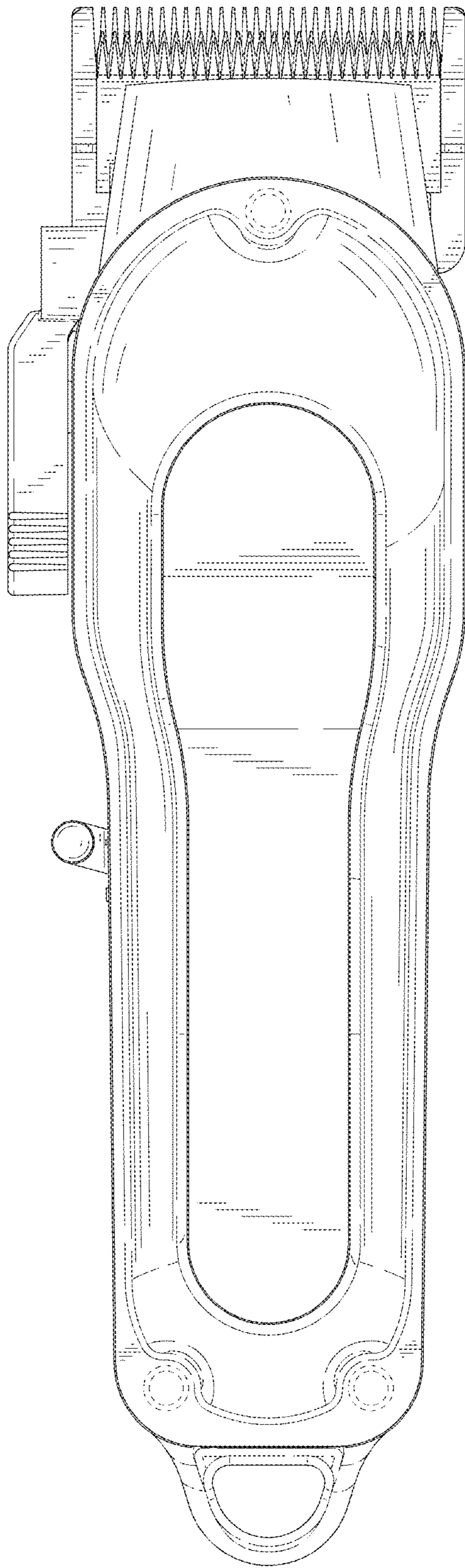


FIG. 4

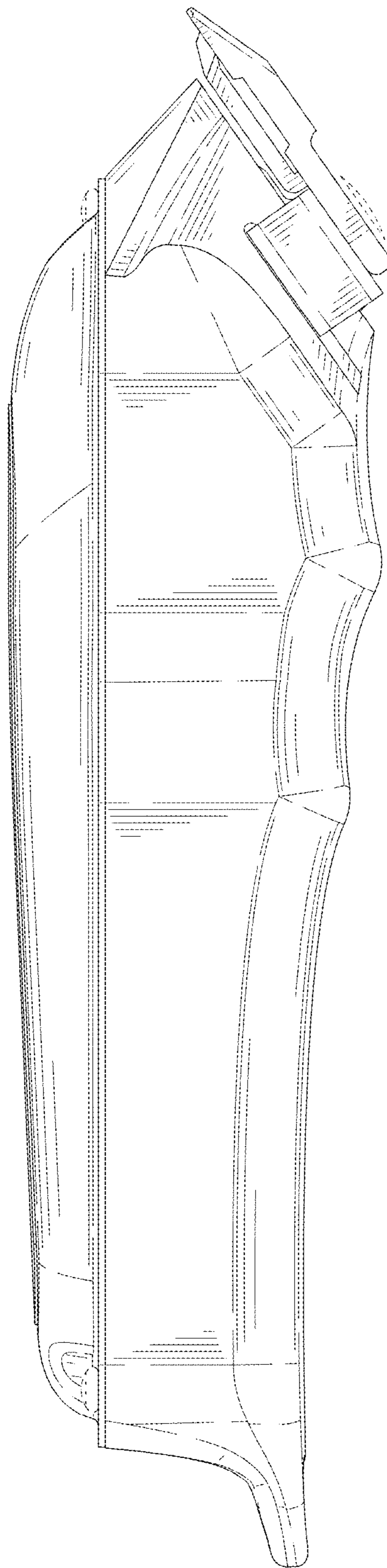


FIG. 5

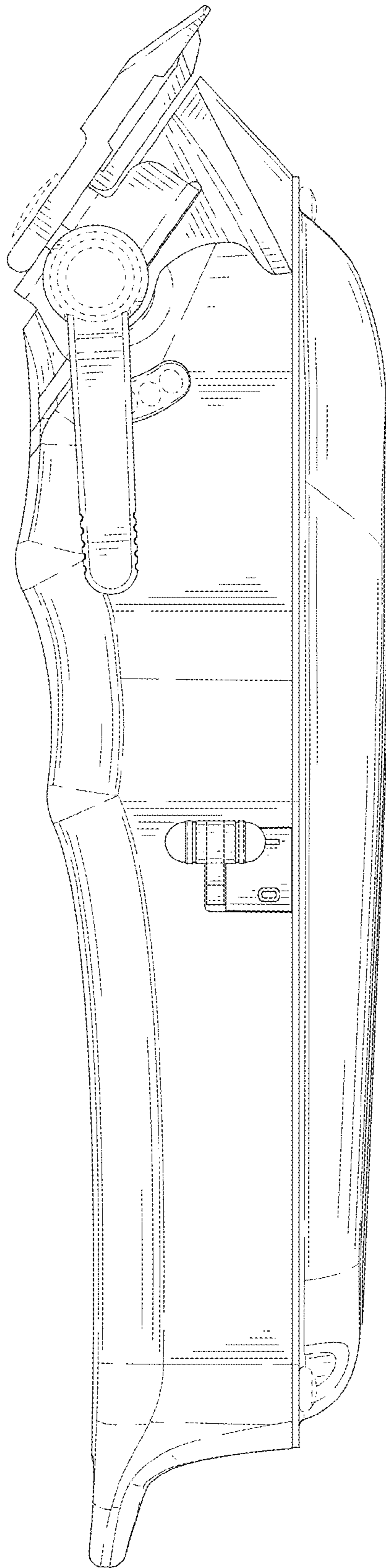


FIG. 6

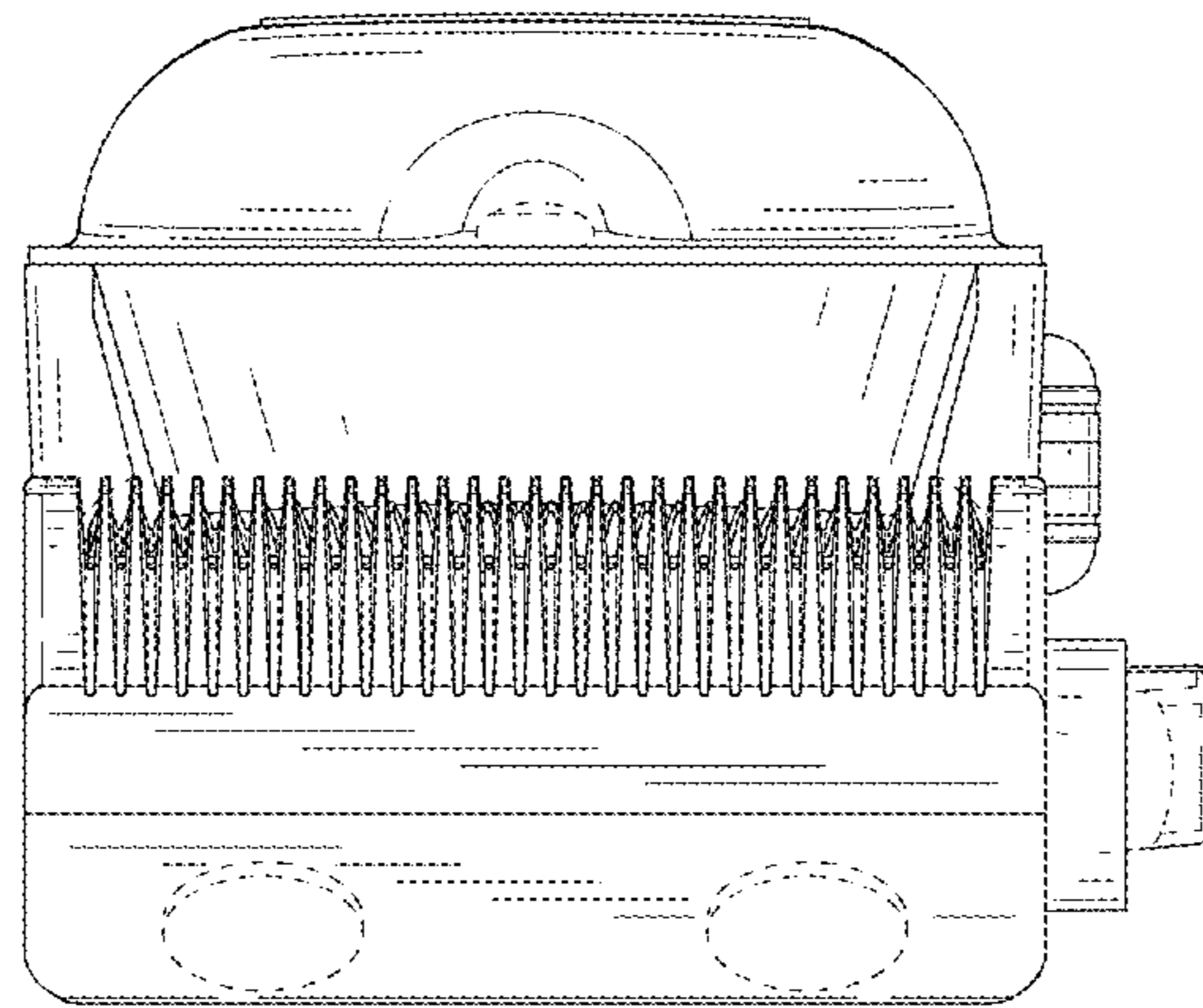


FIG. 7

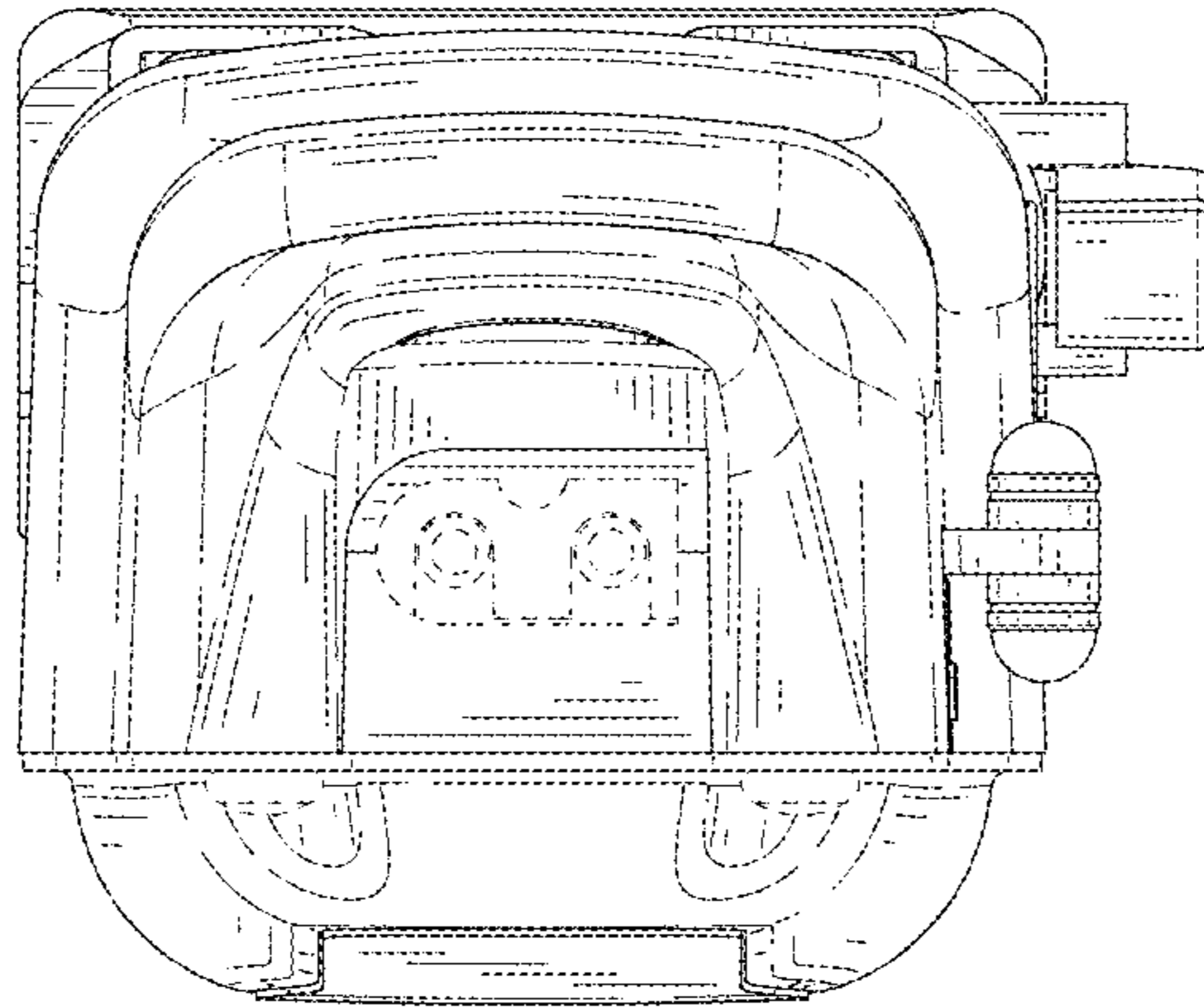


FIG. 8

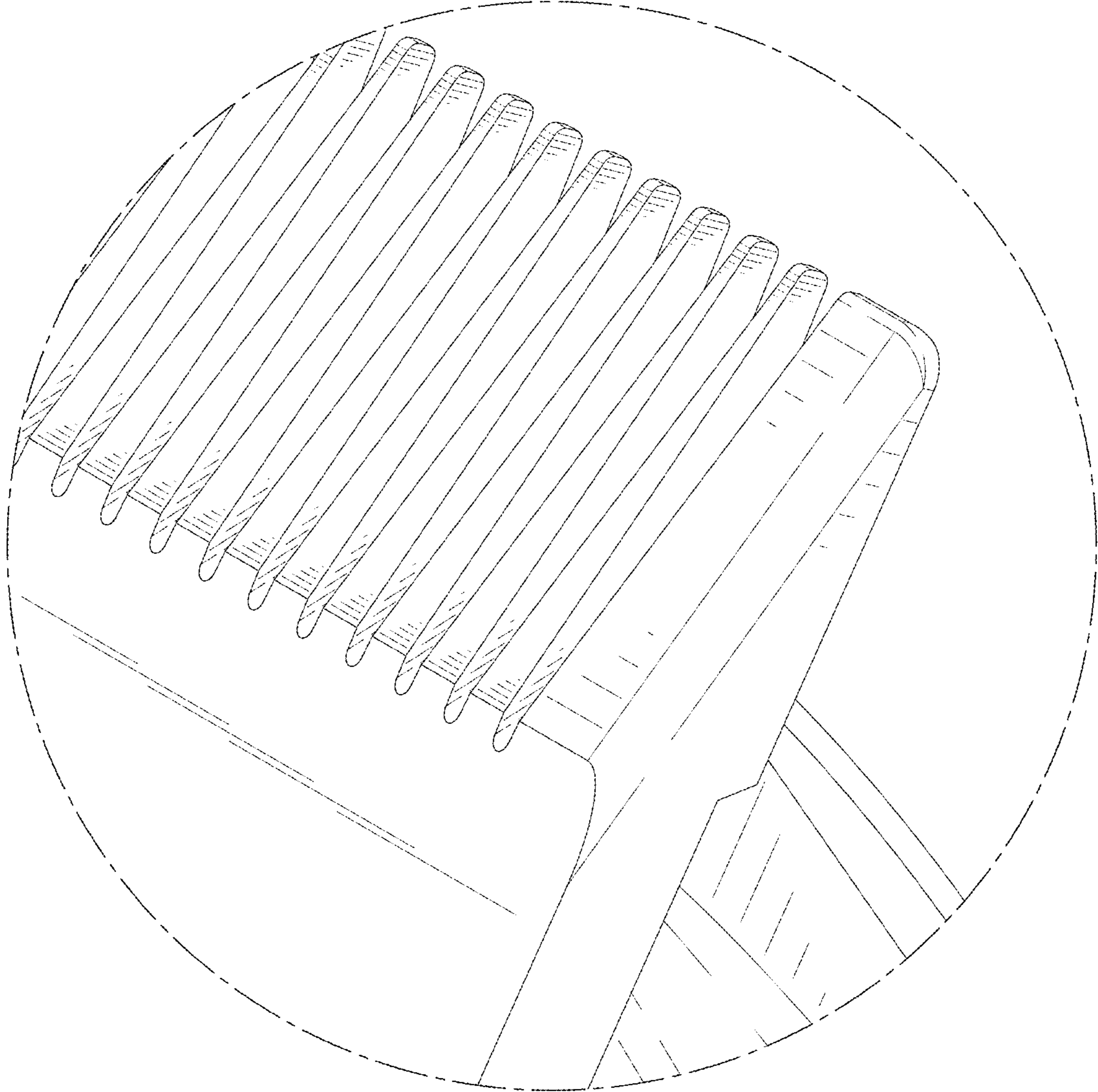


FIG. 9

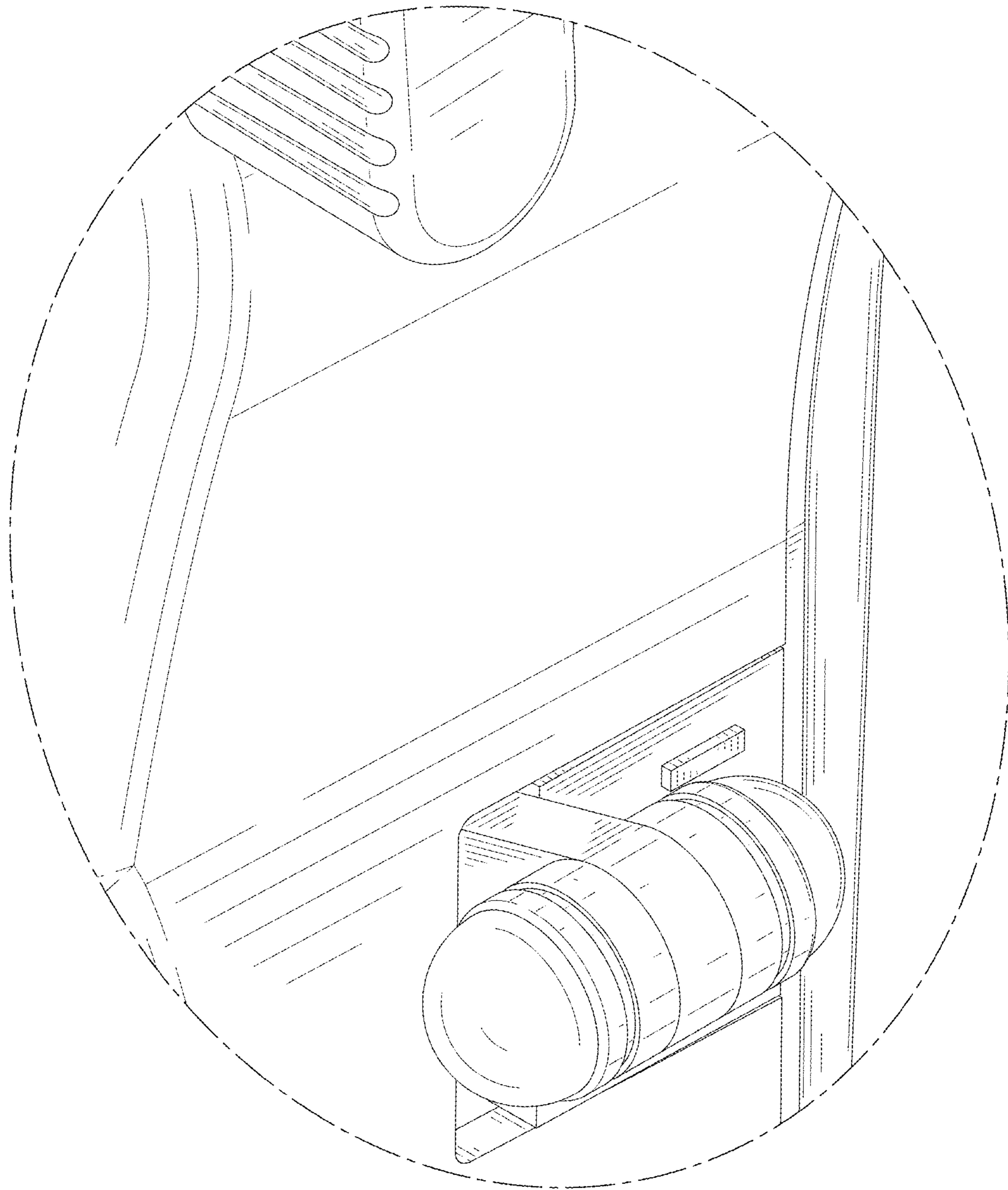


FIG. 10

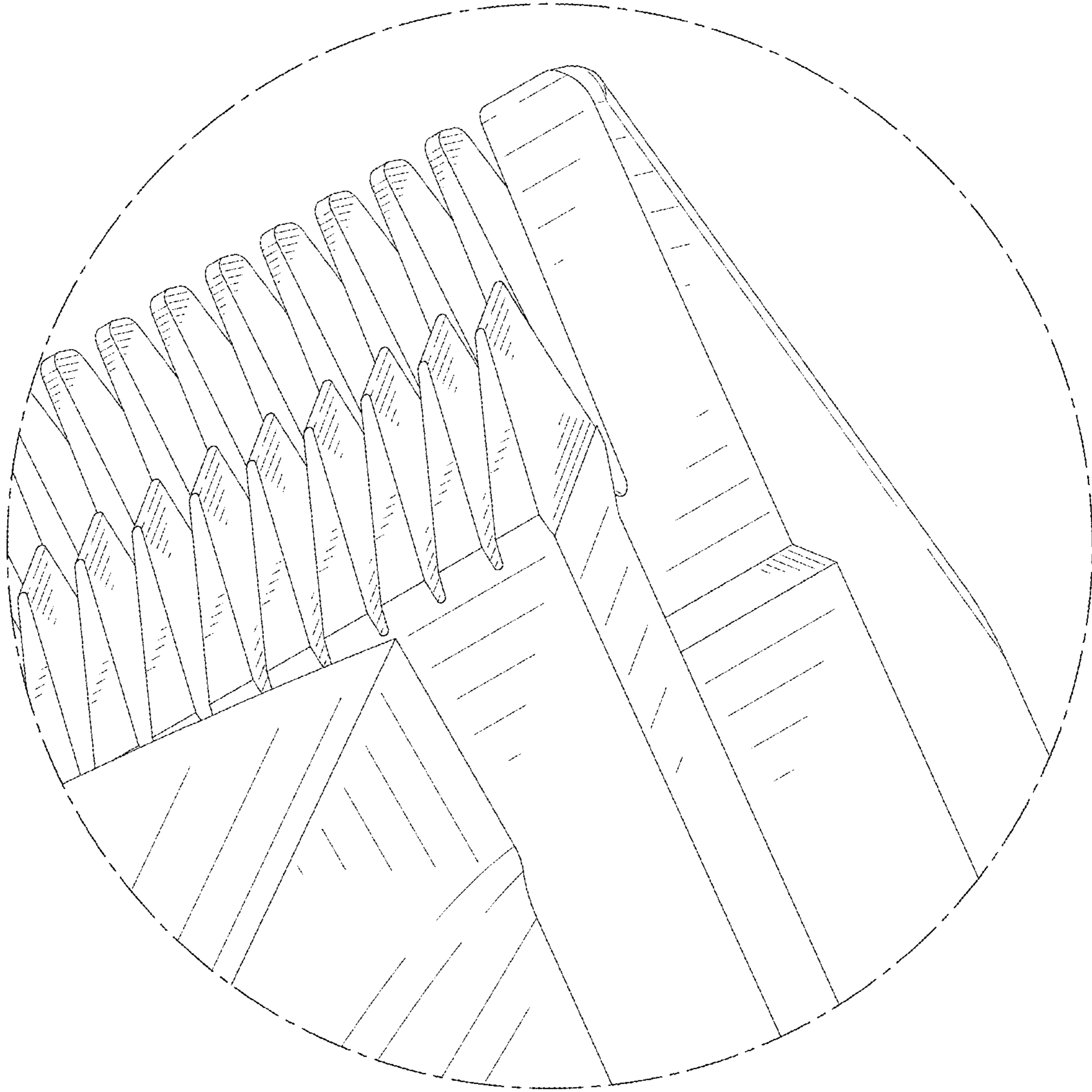


FIG. 11