



US00D981041S

(12) **United States Design Patent**
Chae

(10) **Patent No.:** **US D981,041 S**
(45) **Date of Patent:** **** Mar. 14, 2023**

(54) **RAZOR CARTRIDGE**
(71) Applicant: **DORCO CO., LTD.**, Seoul (KR)
(72) Inventor: **Su Hyun Chae**, Seoul (KR)
(73) Assignee: **DORCO CO., LTD.**, Seoul (KR)
(**) Term: **15 Years**
(21) Appl. No.: **29/711,241**
(22) Filed: **Oct. 29, 2019**

D884,970 S * 5/2020 Zucker D28/47
D888,339 S * 6/2020 Go D28/47
10,766,156 B2 * 9/2020 Park B26B 21/4012
D912,324 S * 3/2021 Han D28/47
D912,325 S * 3/2021 Go D28/47
2016/0121498 A1 * 5/2016 Johnson B26B 21/4012
30/532
2019/0202076 A1 * 7/2019 Park B26B 21/4068
2020/0031005 A1 * 1/2020 Kim B26B 21/4031
2020/0171685 A1 * 6/2020 Liu B26B 21/222
2020/0316796 A1 * 10/2020 Park B26B 21/225
2020/0361105 A1 * 11/2020 Park B26B 21/14
2021/0016458 A1 * 1/2021 Peterson B26B 21/4012
2021/0069923 A1 * 3/2021 Han B26B 21/4012

* cited by examiner

(30) **Foreign Application Priority Data**

May 17, 2019 (KR) 30-2019-0023317

(51) **LOC (14) Cl.** **28-03**

(52) **U.S. Cl.**
USPC **D28/47**

(58) **Field of Classification Search**
USPC D28/46-48
CPC B26B 21/22-227; B26B 21/4012-4031;
B26B 21/4068
See application file for complete search history.

(56) **References Cited**

U.S. PATENT DOCUMENTS

D665,130 S * 8/2012 Wain D28/47
D731,708 S * 6/2015 Tucker D28/47
D741,012 S * 10/2015 Witkus D28/47
D764,101 S * 8/2016 Cataudella D28/47
D843,059 S * 3/2019 Lettenberger D28/47
D848,069 S * 5/2019 Micinilio D28/46
D850,722 S * 6/2019 Knapp D28/47
D867,661 S * 11/2019 Ovvadias D28/47
D884,969 S * 5/2020 Zucker D28/47

Primary Examiner — Jennifer Rivard

(74) *Attorney, Agent, or Firm* — NSIP Law

(57) **CLAIM**

The ornamental design for a razor cartridge, as shown and described.

DESCRIPTION

FIG. 1 is a perspective view of a razor cartridge showing the new design;

FIG. 2 is a front view thereof;

FIG. 3 is a rear view thereof;

FIG. 4 is a left side view thereof and a right side view thereof is a mirror image of the left side view;

FIG. 5 is a top view thereof; and,

FIG. 6 is a bottom view thereof.

The evenly-dashed broken lines illustrate portions of the razor cartridge that form no part of the claimed design.

The dot-dash broken lines in the figures represent a boundary of the claimed design and form no part thereof.

1 Claim, 6 Drawing Sheets

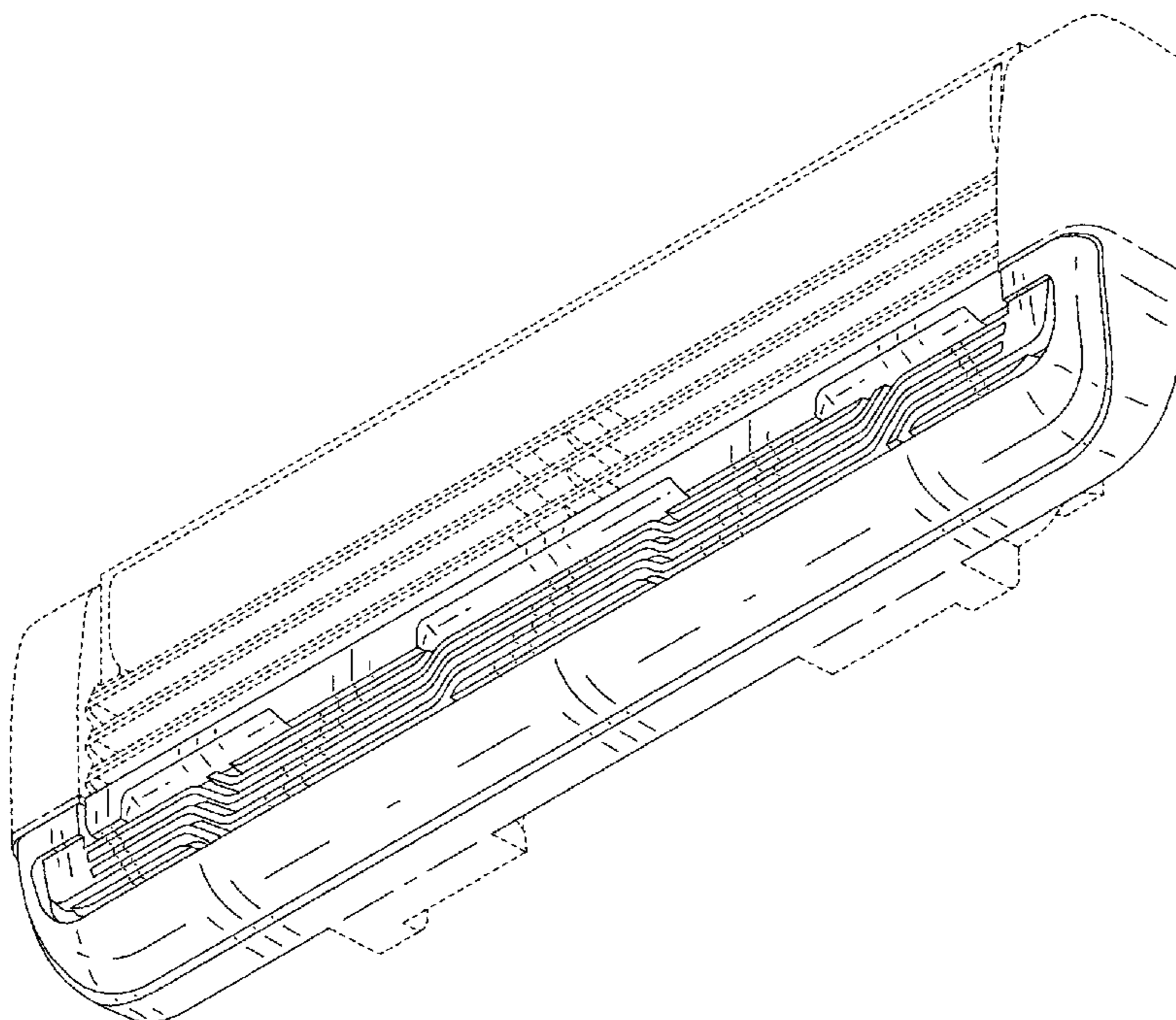


FIG. 1

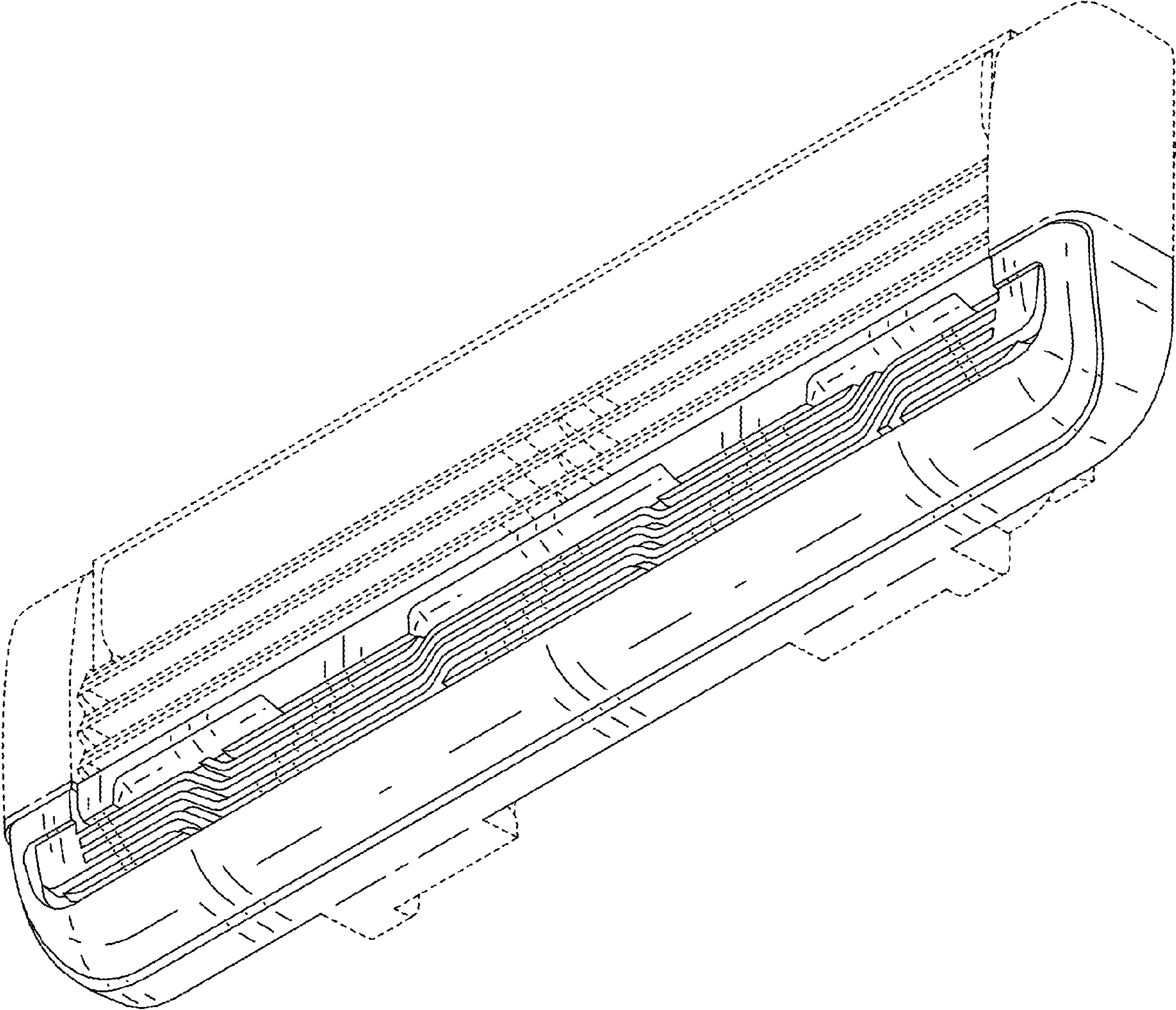


FIG. 2

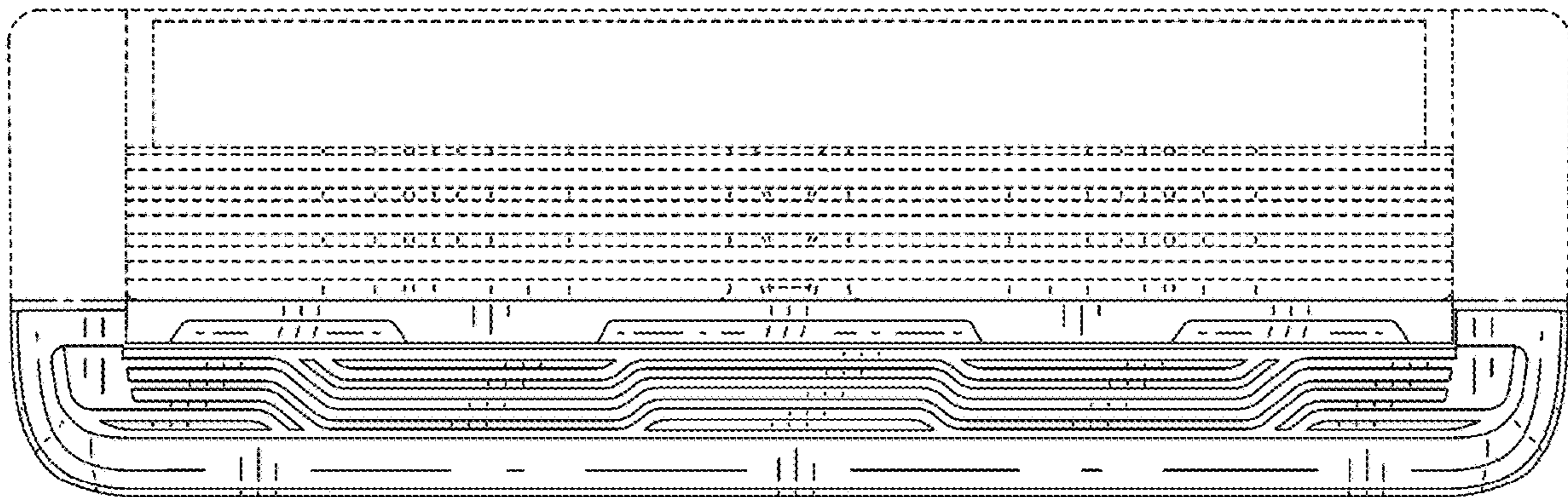


FIG. 3

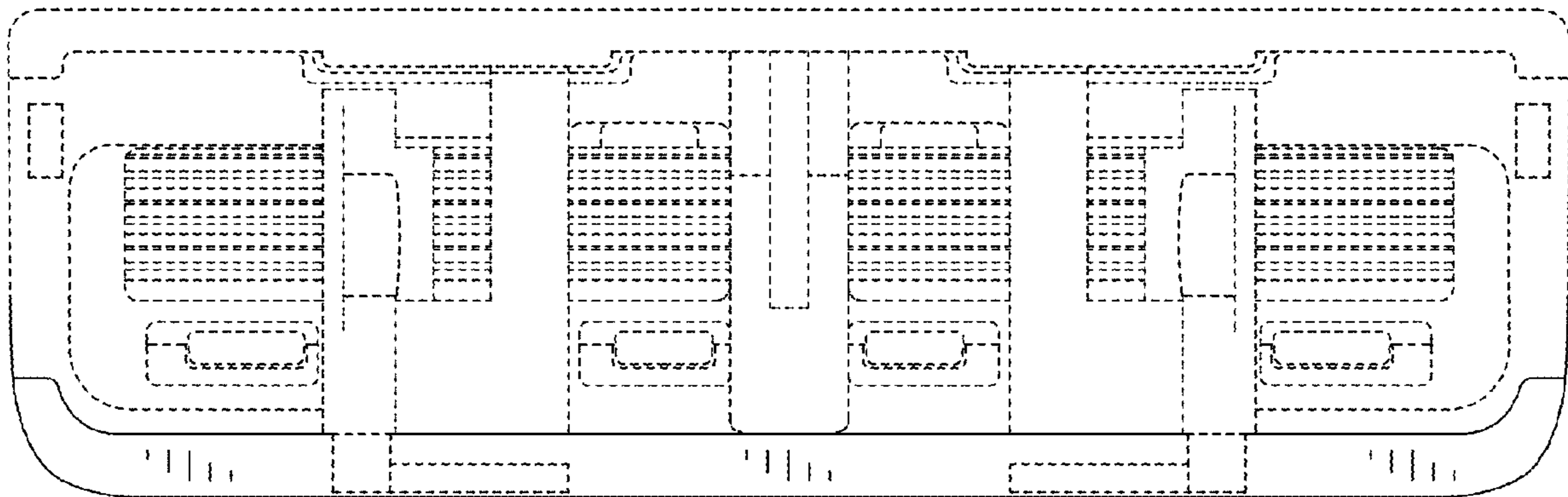


FIG. 4

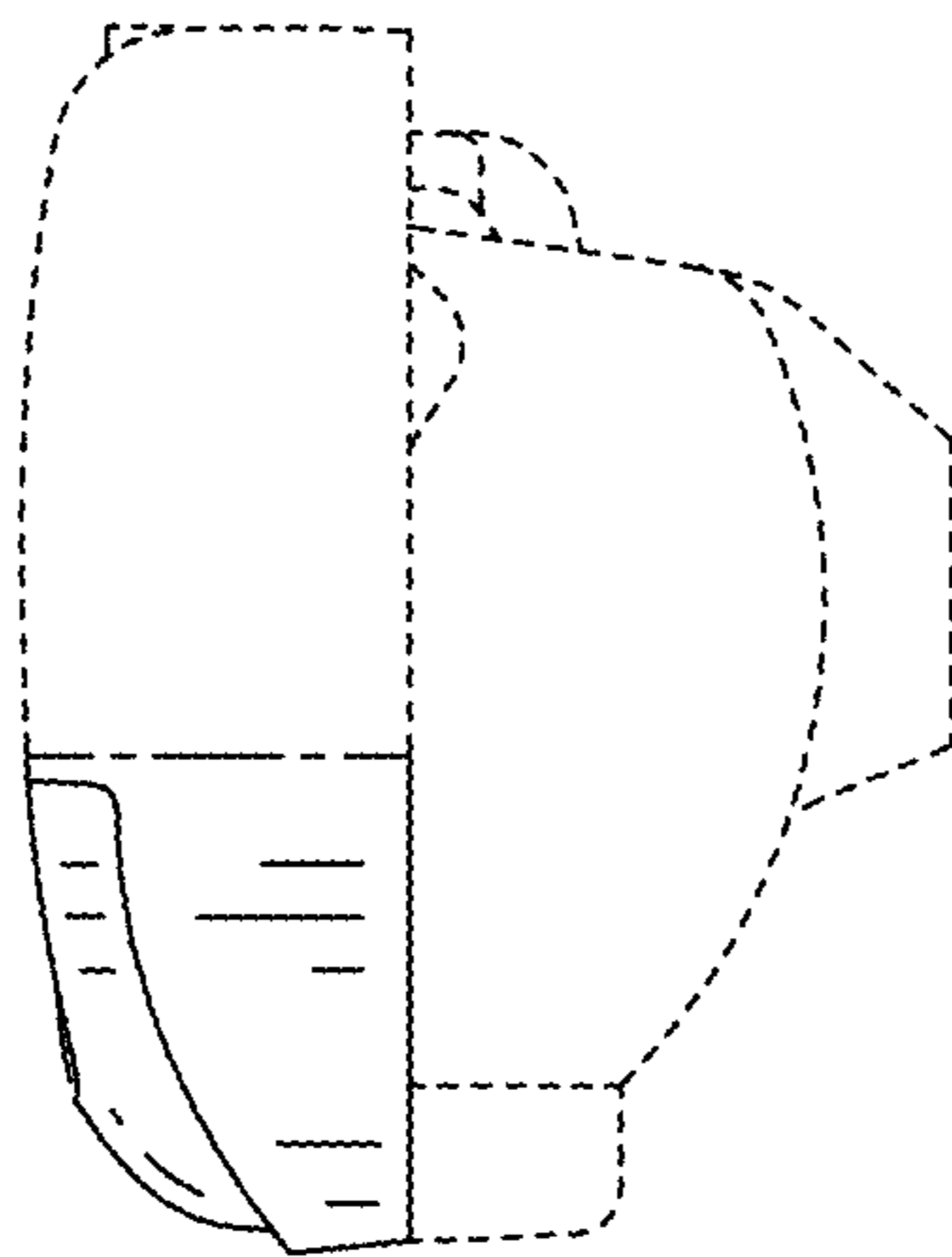


FIG. 5

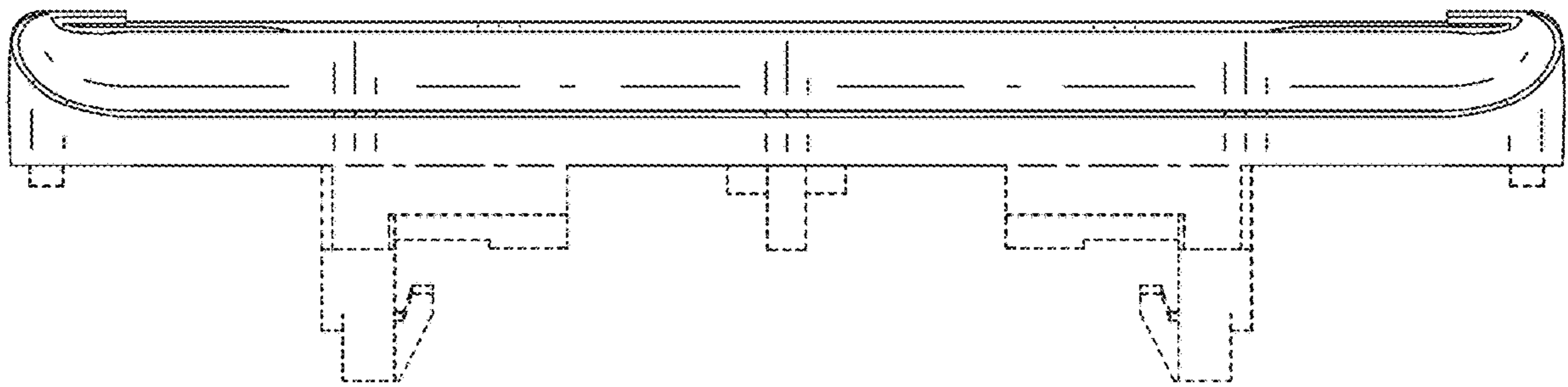


FIG. 6

