



US00D981040S

(12) **United States Design Patent**
Parry et al.

(10) **Patent No.:** **US D981,040 S**
(45) **Date of Patent:** **** Mar. 14, 2023**

(54) **SHAVING APPARATUS**
(71) Applicant: **Willis Tribe Pty Ltd**, Westleigh (AU)
(72) Inventors: **Susan Elizabeth Parry**, Westleigh (AU); **Benjamin Jerry Sterrett**, North Turramurra (AU)
(73) Assignee: **Willis Tribe Pty Ltd**, Westleigh (AU)
(**) Term: **15 Years**
(21) Appl. No.: **29/787,835**
(22) Filed: **Jun. 9, 2021**

6,112,421 A * 9/2000 Greene B26B 21/527
30/526
8,141,258 B1 3/2012 Friesch et al.
D693,060 S * 11/2013 Lyles D28/50
8,726,528 B2 * 5/2014 Lyles B26B 19/3853
30/526
D717,492 S * 11/2014 Kulshreshtha D28/53
D717,493 S * 11/2014 Kulshreshtha D28/53
D803,480 S * 11/2017 Wong D28/53
10,137,585 B2 * 11/2018 Gonterman B26B 21/521
10,137,586 B1 11/2018 Strong
D854,248 S * 7/2019 Woolfson D28/48
2003/0033717 A1 2/2003 Cecil
2008/0072430 A1 * 3/2008 Cafaro B26B 19/06
30/526
2011/0016734 A1 * 1/2011 Kludjian B26B 21/527
30/526

(Continued)

(30) **Foreign Application Priority Data**

Dec. 10, 2020 (AU) 202016728

(51) **LOC (14) Cl.** **28-03**

(52) **U.S. Cl.**

USPC **D28/45**; D28/46

(58) **Field of Classification Search**

USPC D28/44-54; D8/90-92, 98

CPC B26B 19/00; B26B 19/04; B26B 19/06;

B26B 19/10; B26B 19/18; B26B 19/38;

B26B 19/20; B26B 19/28; B26B 19/30;

B26B 19/3873; B26B 19/3853; B26B

21/00; B26B 21/08; B26B 21/14; B26B

21/16; B26B 21/40; B26B 21/52; B26B

21/54; B26B 21/56; B26B 21/528; B26B

21/527; A45D 24/36

See application file for complete search history.

(56) **References Cited**

U.S. PATENT DOCUMENTS

2,720,696 A * 10/1955 Wadsworth B26B 19/14

30/43.2

D426,918 S * 6/2000 Greene D28/48

D431,095 S 9/2000 Hyman

FOREIGN PATENT DOCUMENTS

AU 2019201306 B1 5/2020

Primary Examiner — Alison M Ofstun

(74) *Attorney, Agent, or Firm* — Thomas M. Joseph, Esq

(57) **CLAIM**

The ornamental design for a shaving apparatus, as shown and described.

DESCRIPTION

FIG. 1 is a perspective view showing my new design;

FIG. 2 is a top view thereof;

FIG. 3 is a right side view thereof;

FIG. 4 is a left side view thereof;

FIG. 5 is a front view thereof;

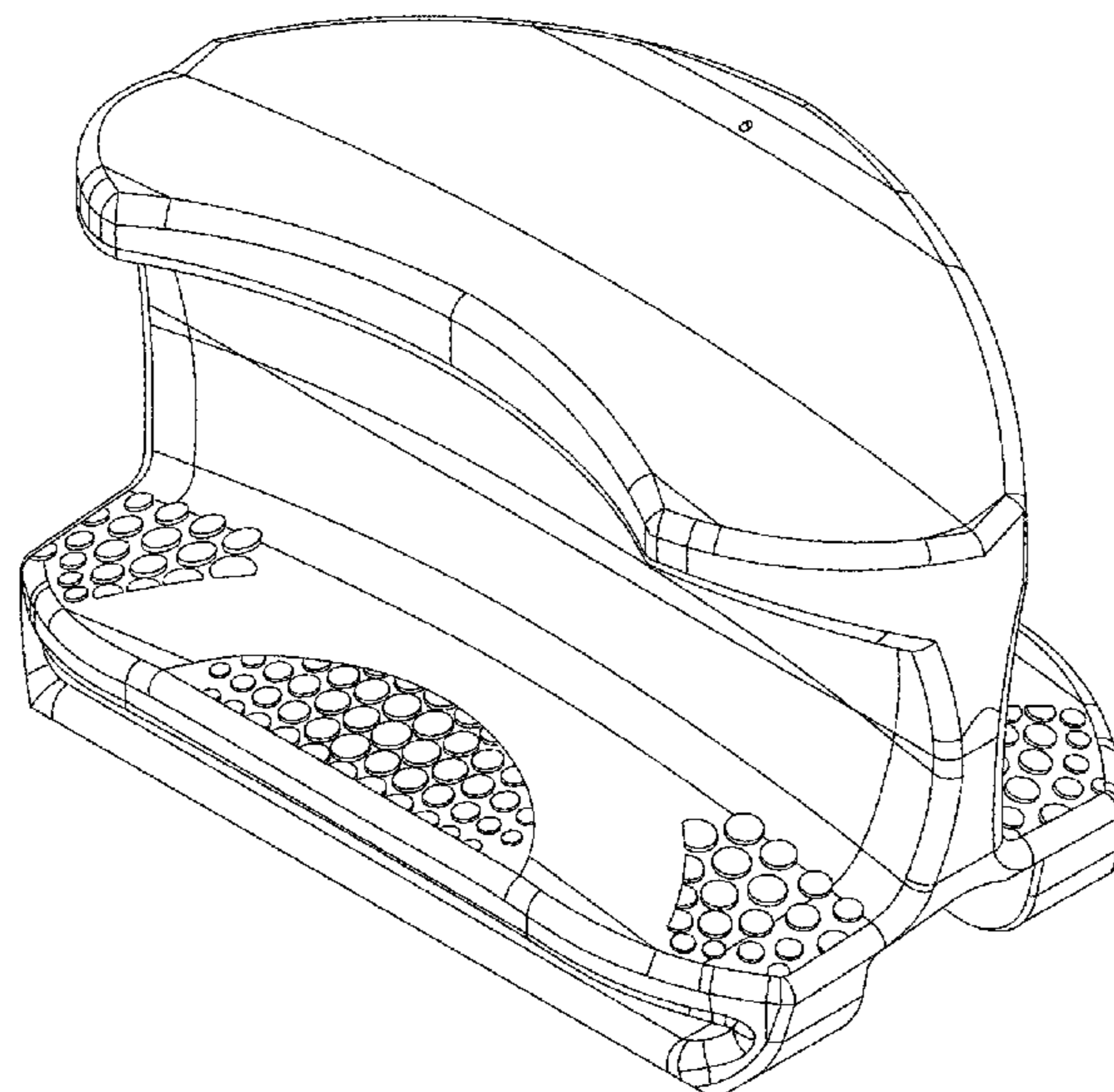
FIG. 6 is a rear view thereof; and,

FIG. 7 is a bottom view thereof.

Any material that is shown in dashed lines is for clarity only, and forms no part of the invented design.

In the drawings, the broken lines illustrate portions of the article which form no part of the claimed design.

1 Claim, 4 Drawing Sheets



(56)

References Cited

U.S. PATENT DOCUMENTS

2014/0290066 A1 * 10/2014 Woolfson B26B 21/527
30/526

2018/0117781 A1 5/2018 Gonterman

* cited by examiner

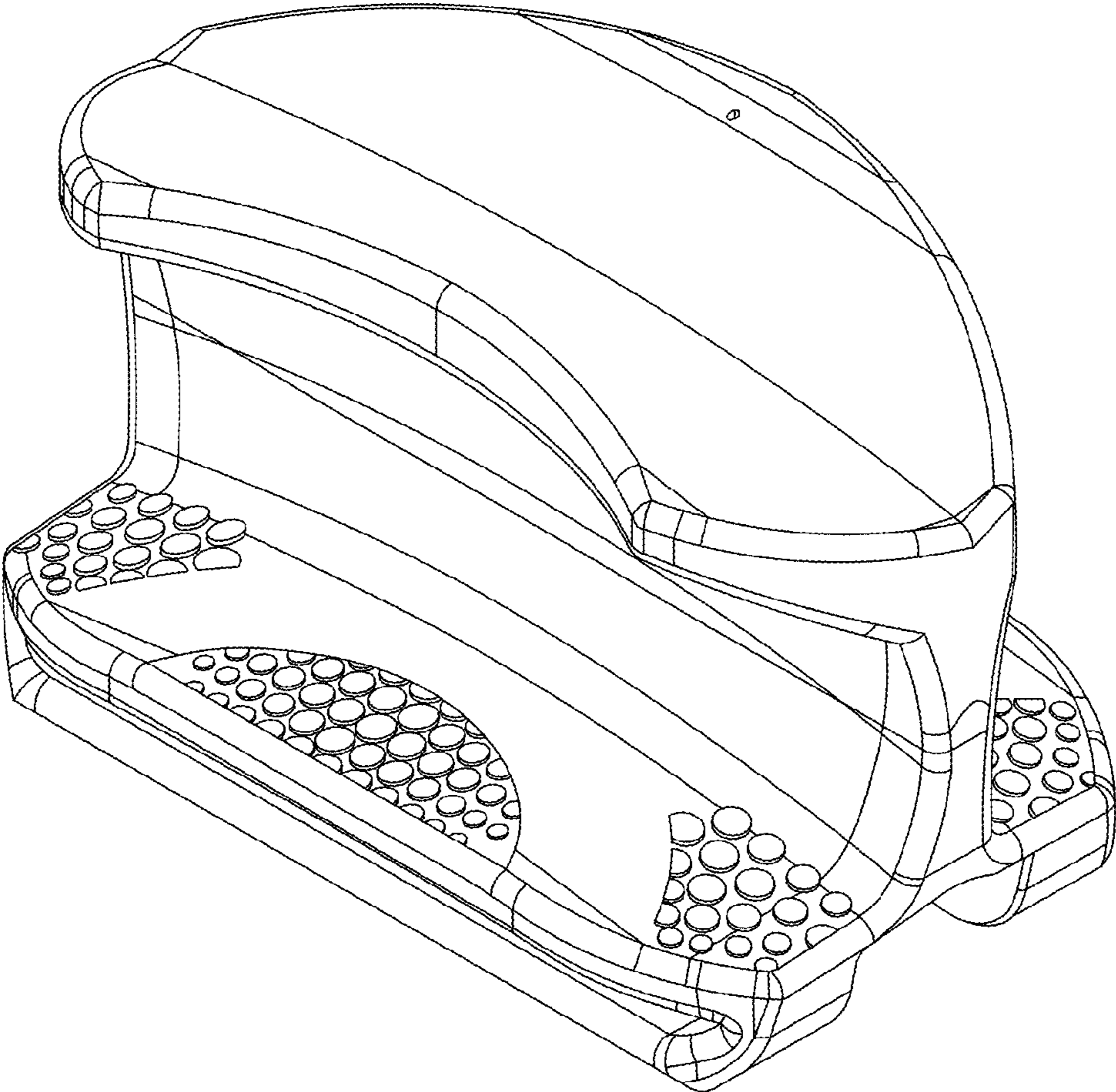


FIG. 1

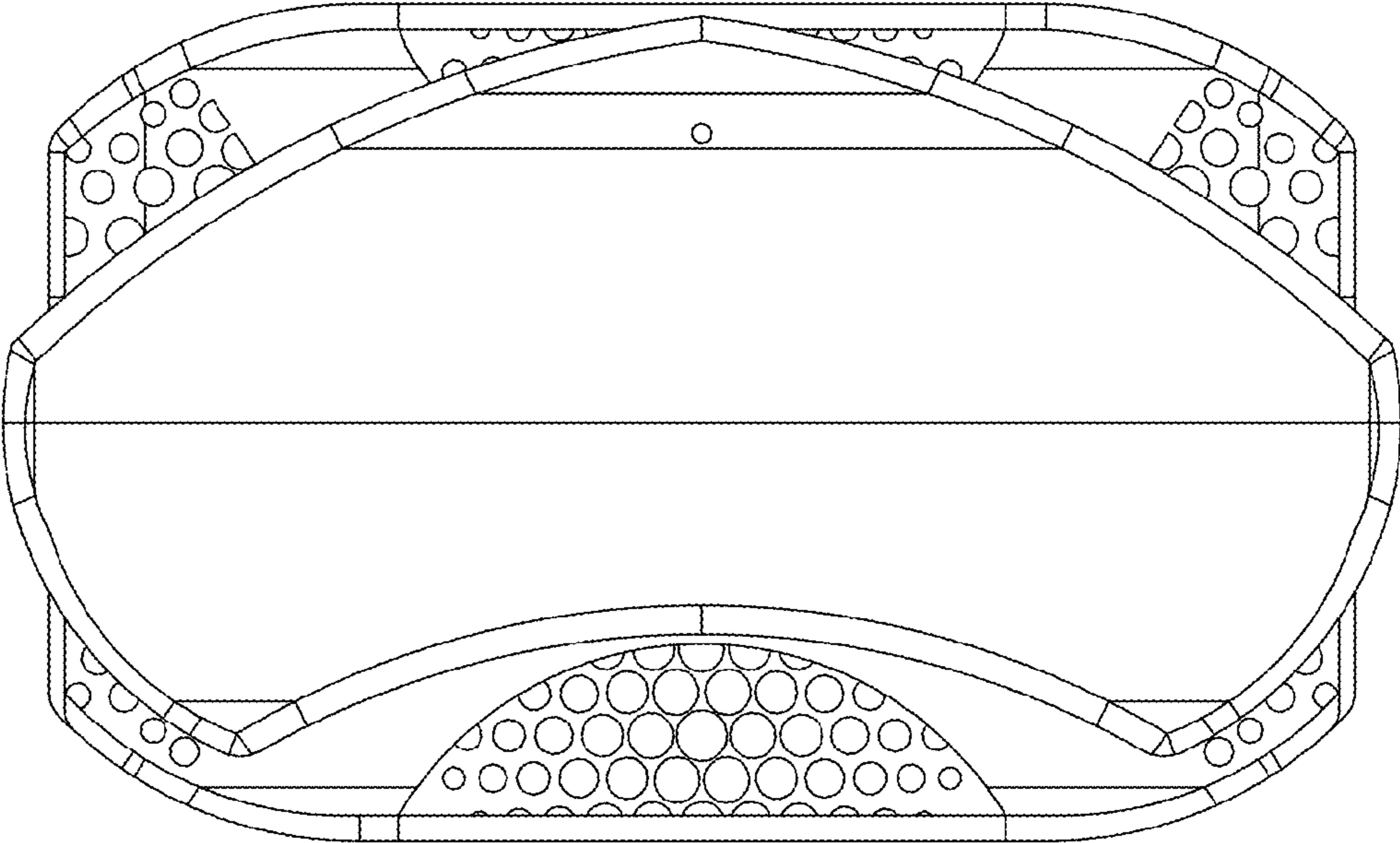


FIG. 2

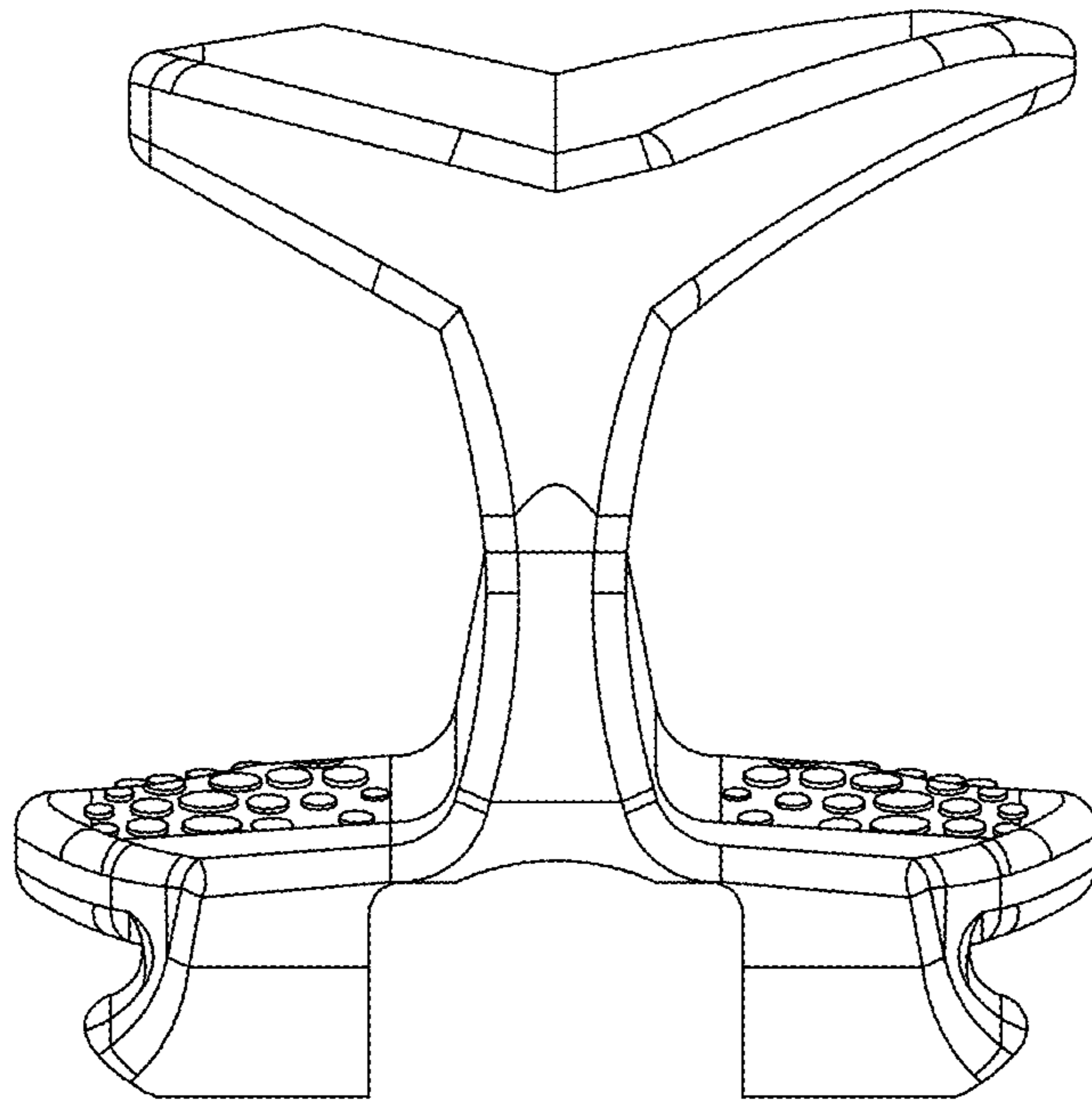


FIG. 3

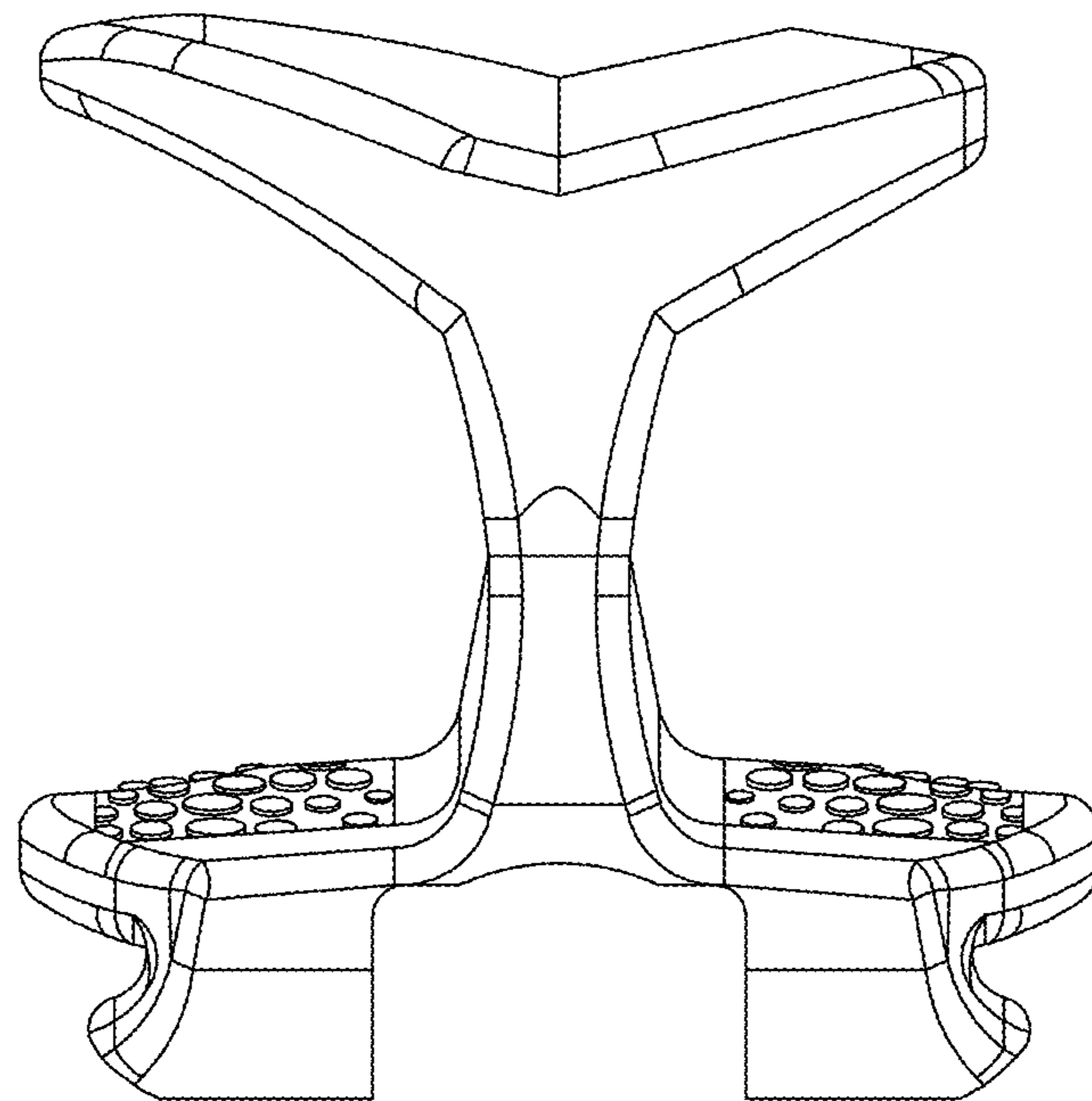


FIG. 4

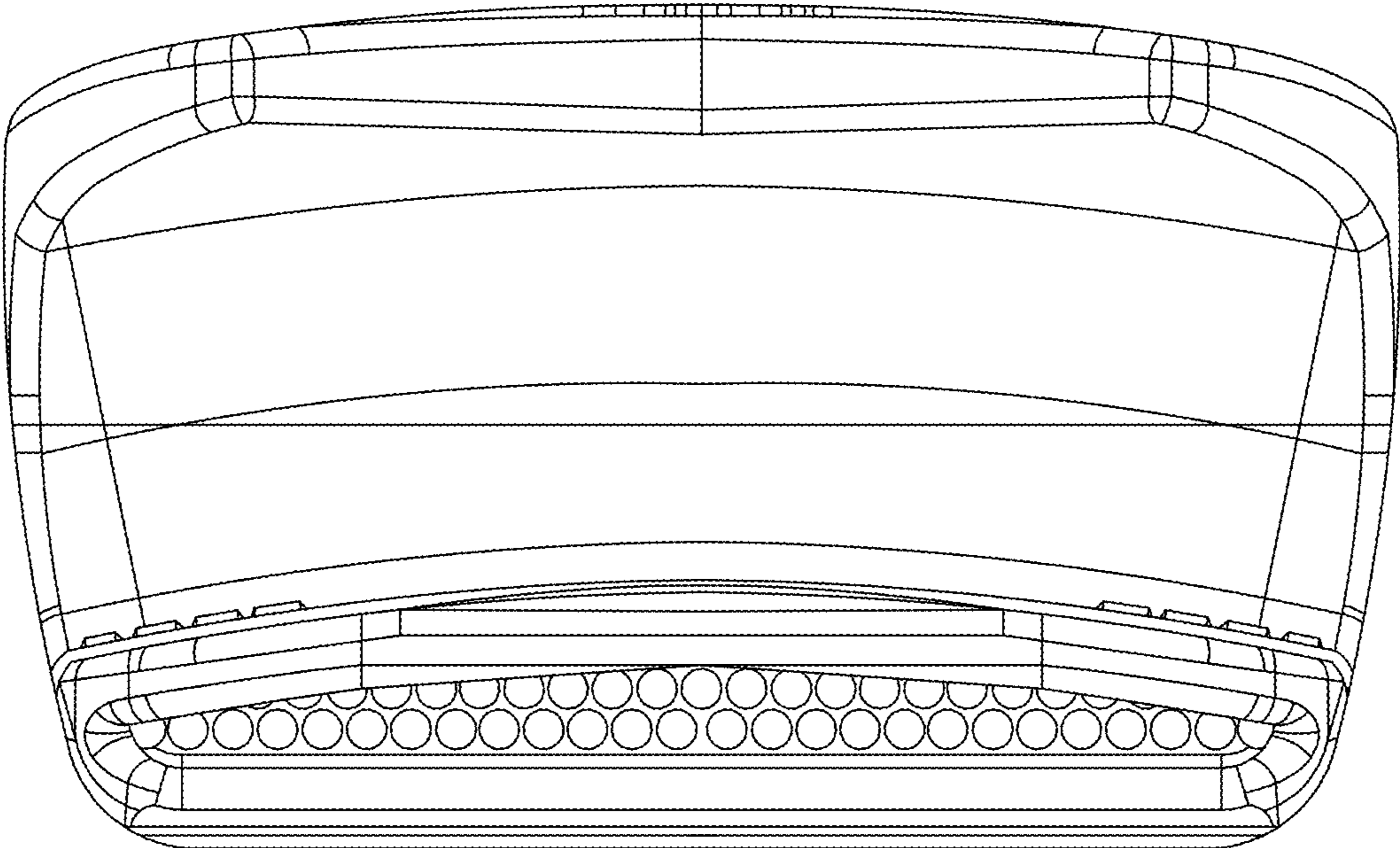


FIG. 5

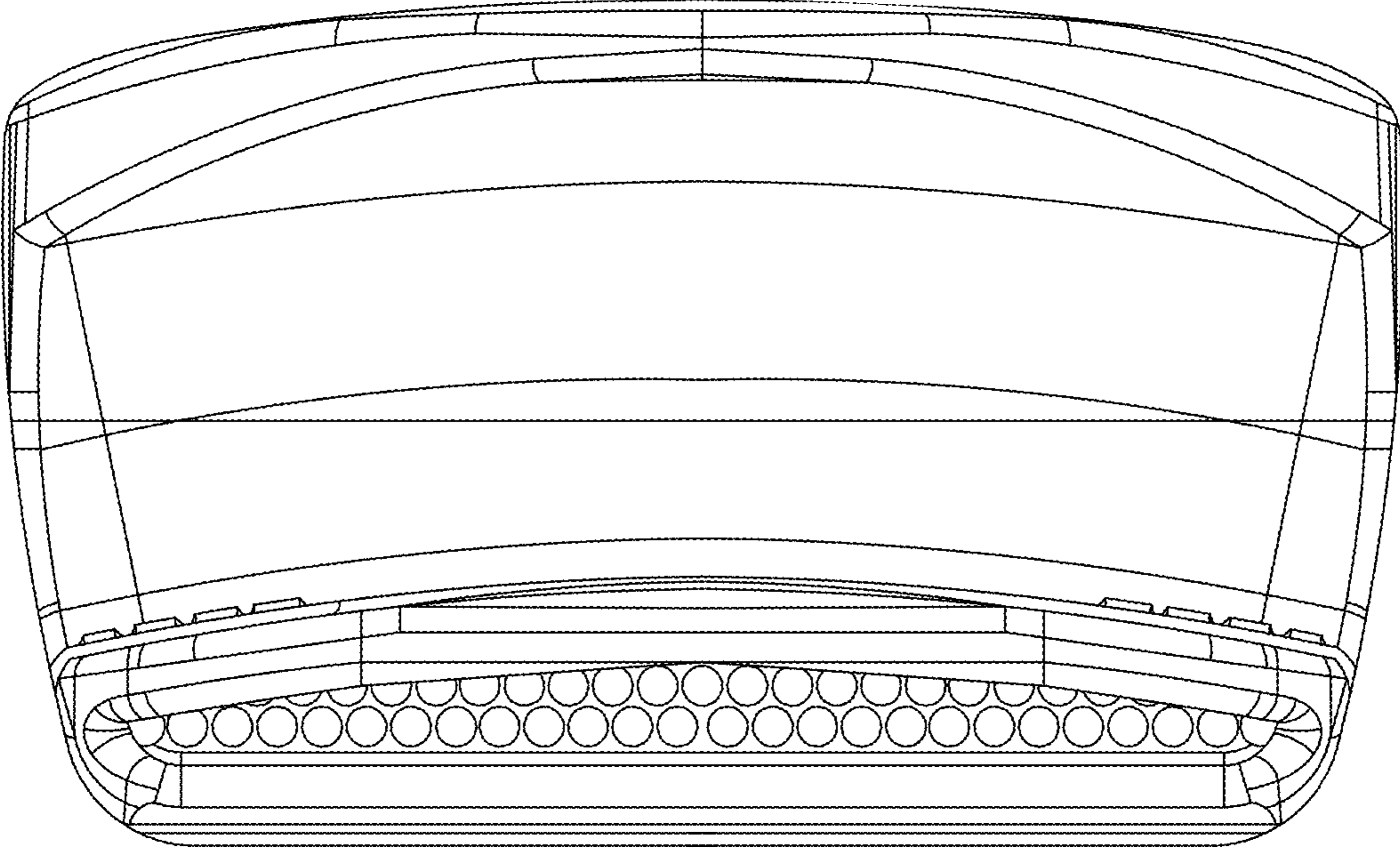


FIG. 6

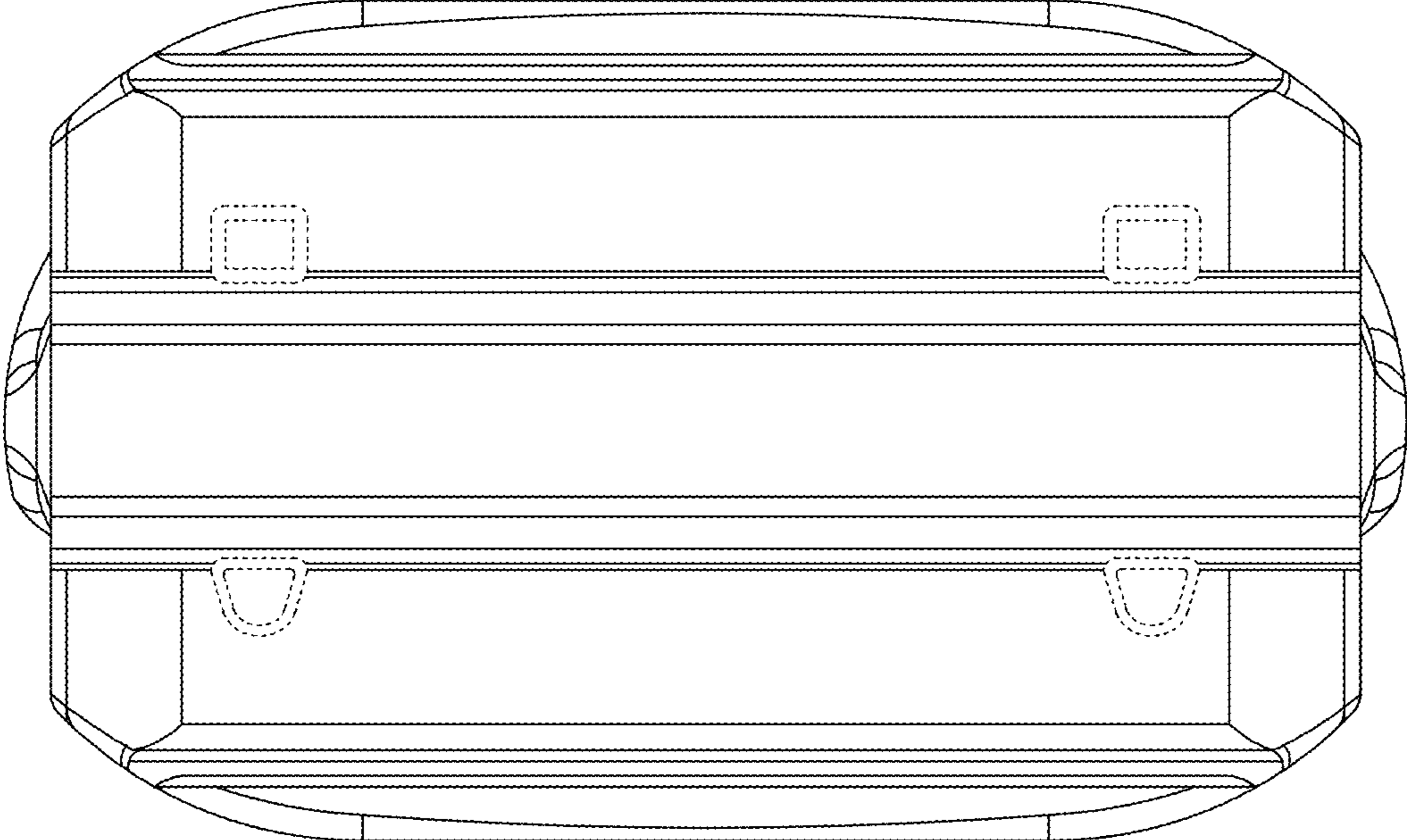


FIG. 7