



US00D981037S

(12) **United States Design Patent**
Jourdan et al.

(10) **Patent No.:** **US D981,037 S**
(45) **Date of Patent:** **** Mar. 14, 2023**

(54) **CIGAR CUTTER**

(71) Applicant: **LES FINES LAMES**, Marseilles (FR)

(72) Inventors: **Pierre Jourdan**, Marseilles (FR); **Pablo Rodet**, Marseilles (FR)

(73) Assignee: **LES FINES LAMES**, Marseilles (FR)

(**) Term: **15 Years**

(21) Appl. No.: **29/745,161**

(22) Filed: **Aug. 4, 2020**

(51) **LOC (14) Cl.** **27-99**

(52) **U.S. Cl.**
USPC **D27/195**

(58) **Field of Classification Search**

USPC D27/195, 194, 183; D8/98, 99, 100, 105,
D8/51, 52, 57, 60; D22/118; D21/684
CPC B26B 3/00; B26B 3/04; B26B 3/06; B26B
1/00; B26B 1/02; B26B 1/04; B26B 1/10;
B26B 1/48; B26B 1/42; B26B 1/44;
A24F 13/18; A24F 13/20; A24F 13/22;
A24F 13/24; A24F 13/26

See application file for complete search history.

(56) **References Cited**

U.S. PATENT DOCUMENTS

D752,412 S *	3/2016	Mears	D8/99
D753,877 S *	4/2016	Fischer	D27/195
D758,005 S *	5/2016	Lance	D27/195
D772,676 S *	11/2016	Qiuliang	D8/99
D853,636 S *	7/2019	Jourdan	D27/195
D868,200 S *	11/2019	Mojica	D22/118
D919,400 S *	5/2021	Glesser	D8/99
D919,401 S *	5/2021	Clinton	D8/99
D920,073 S *	5/2021	Alexander	B26B 1/044
				D8/99
D925,324 S *	7/2021	Hangartner	D8/99

OTHER PUBLICATIONS

Utility Knife By: Craftsman found on line Aug. 24, 2021 <https://www.craftsman.com/products/hand-tools/knives-blades/utility-knives/cmht10589--high-visibility-quick-change-utility-knife> Apr. 2021.*

* cited by examiner

Primary Examiner — Rebecca Tsehaye

(74) *Attorney, Agent, or Firm* — Ladas & Parry LLP

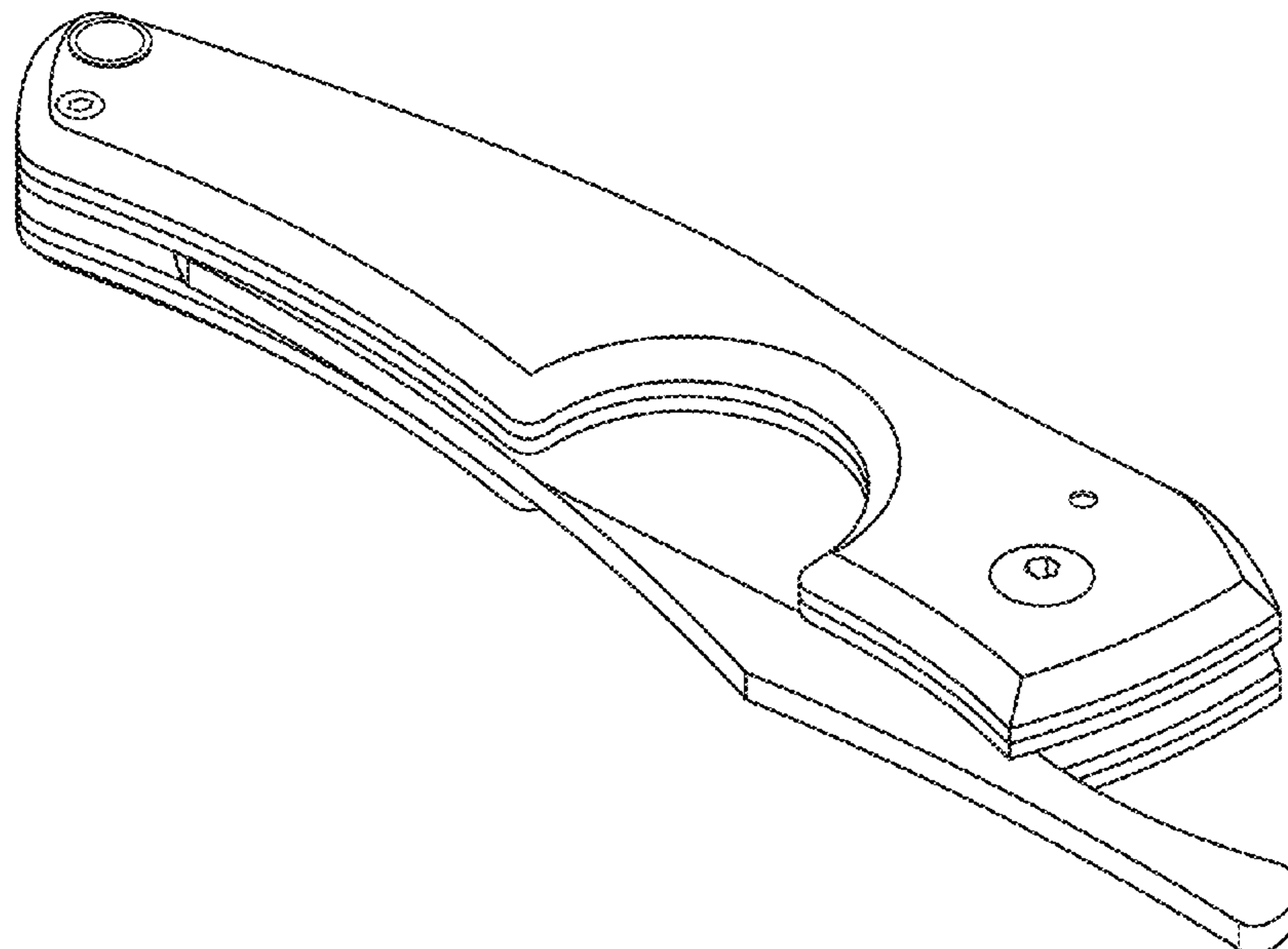
(57) **CLAIM**

The ornamental design for a cigar cutter, as shown and described.

DESCRIPTION

FIG. 1 is a rear elevational view showing my design for a new cigar cutter in a closed position;
FIG. 2 is bottom plan view thereof in a closed position;
FIG. 3 is a top plan view thereof in closed position;
FIG. 4 is a right side elevational view thereof in a closed position;
FIG. 5 is a front elevational view thereof in a closed position;
FIG. 6 is a left side elevational view of the rear thereof in a closed position;
FIG. 7 is a perspective view thereof in a closed position;
FIG. 8 is a rear-elevational view showing my design for a new cigar cutter in an open position;
FIG. 9 is a bottom plan view thereof in an open position;
FIG. 10 is a top plan view thereof in an open position;
FIG. 11 is a right side elevational view thereof in an open position;
FIG. 12 is a front elevational view thereof in an open position;
FIG. 13 is a left side elevational view thereof in an open position; and,
FIG. 14 is a perspective view thereof in an open position.

1 Claim, 7 Drawing Sheets



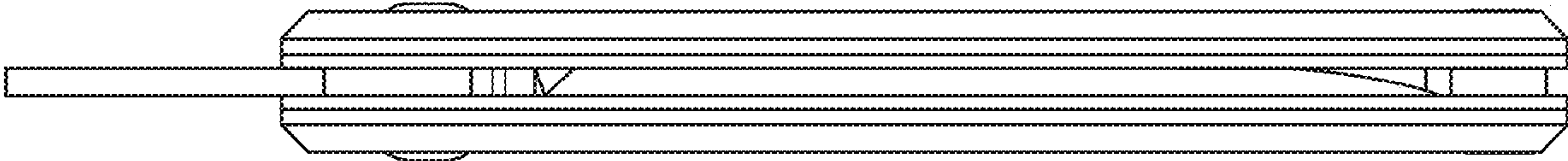


FIGURE 1

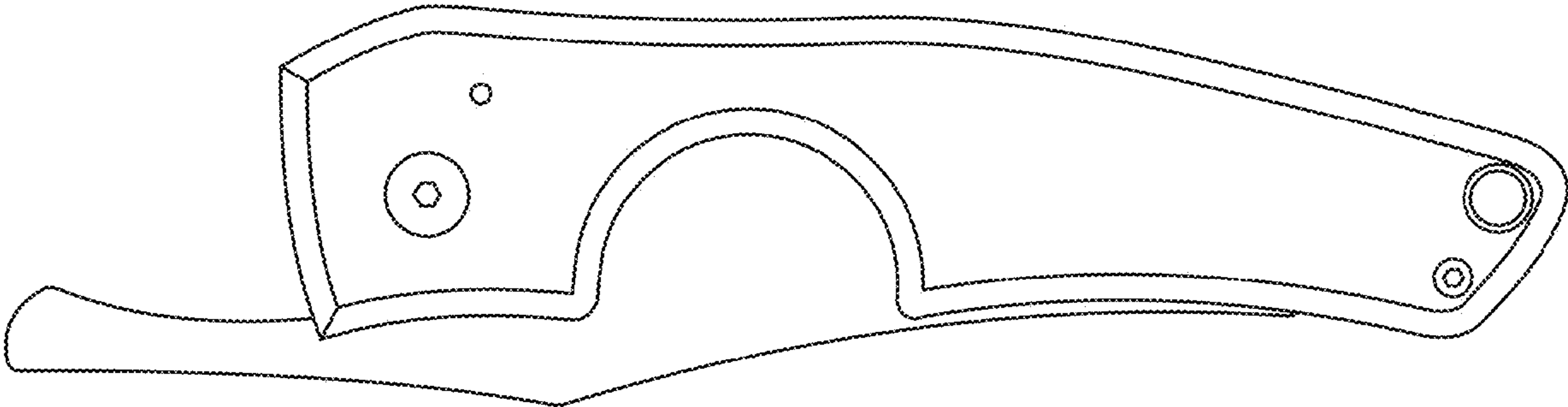


FIGURE 2

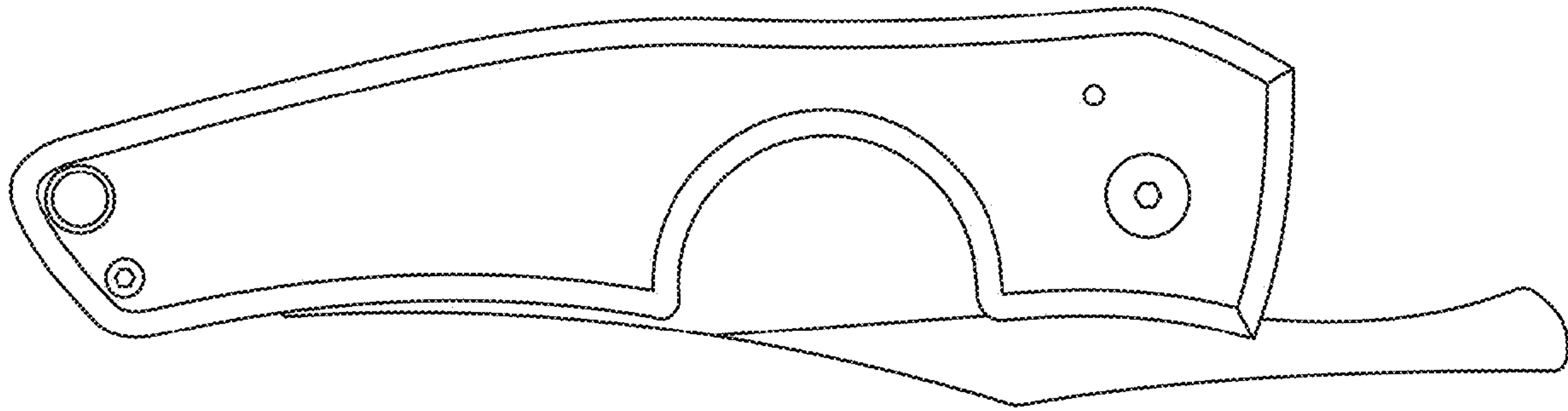


FIGURE 3

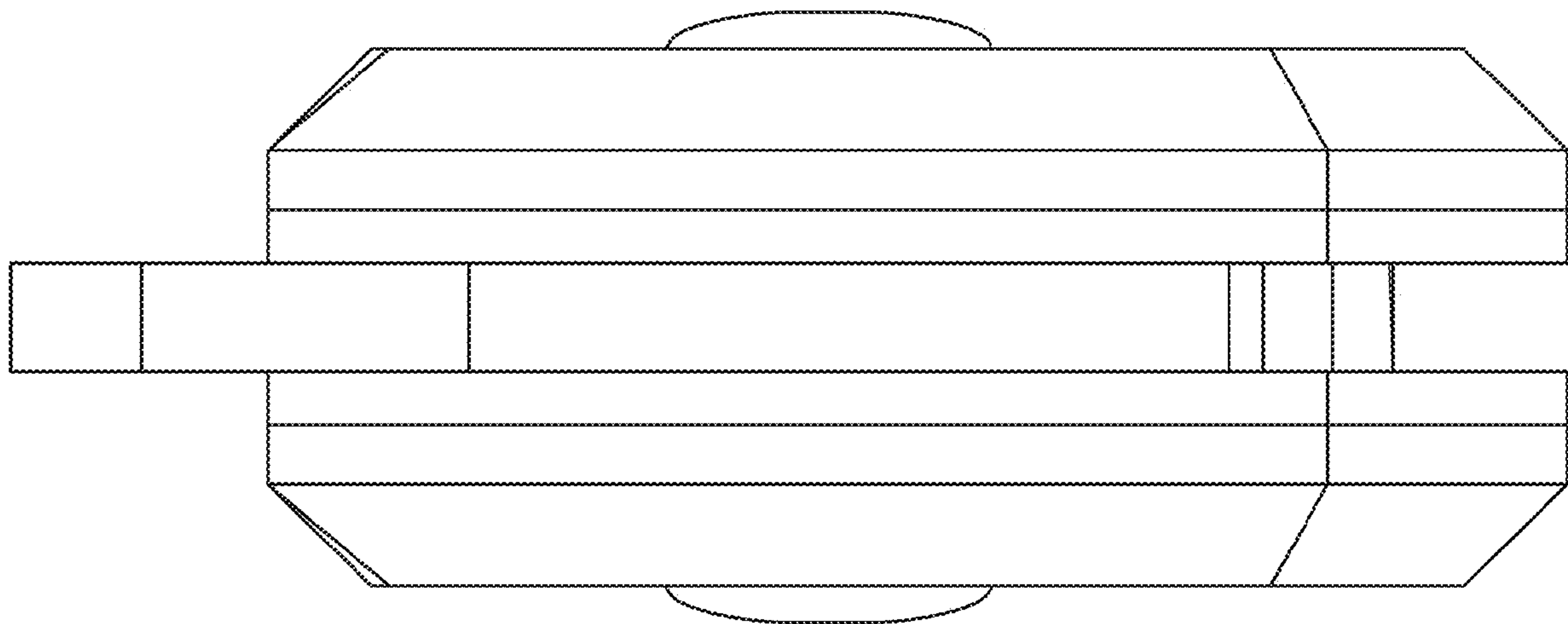


FIGURE 4

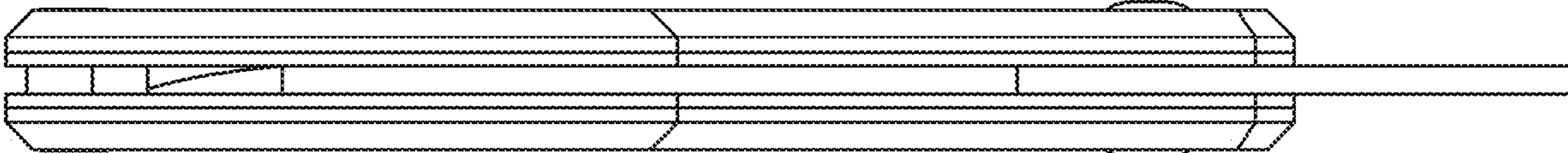


FIGURE 5

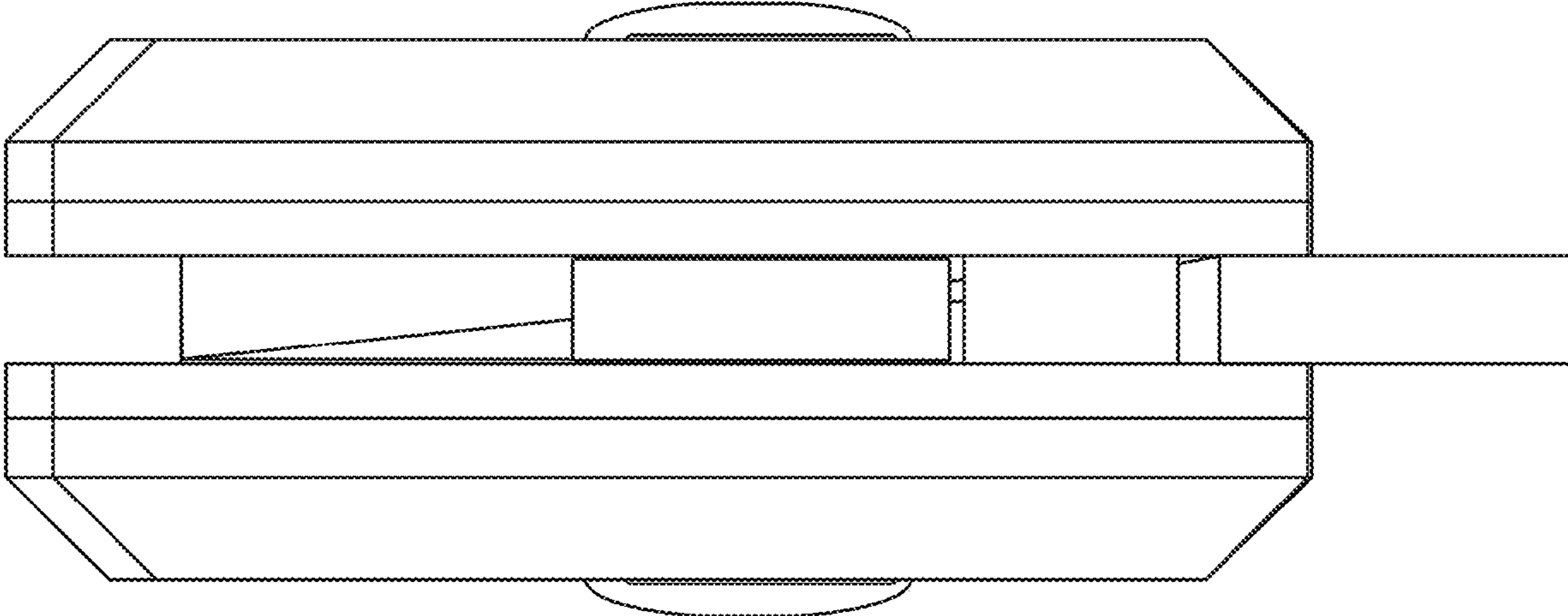


FIGURE 6

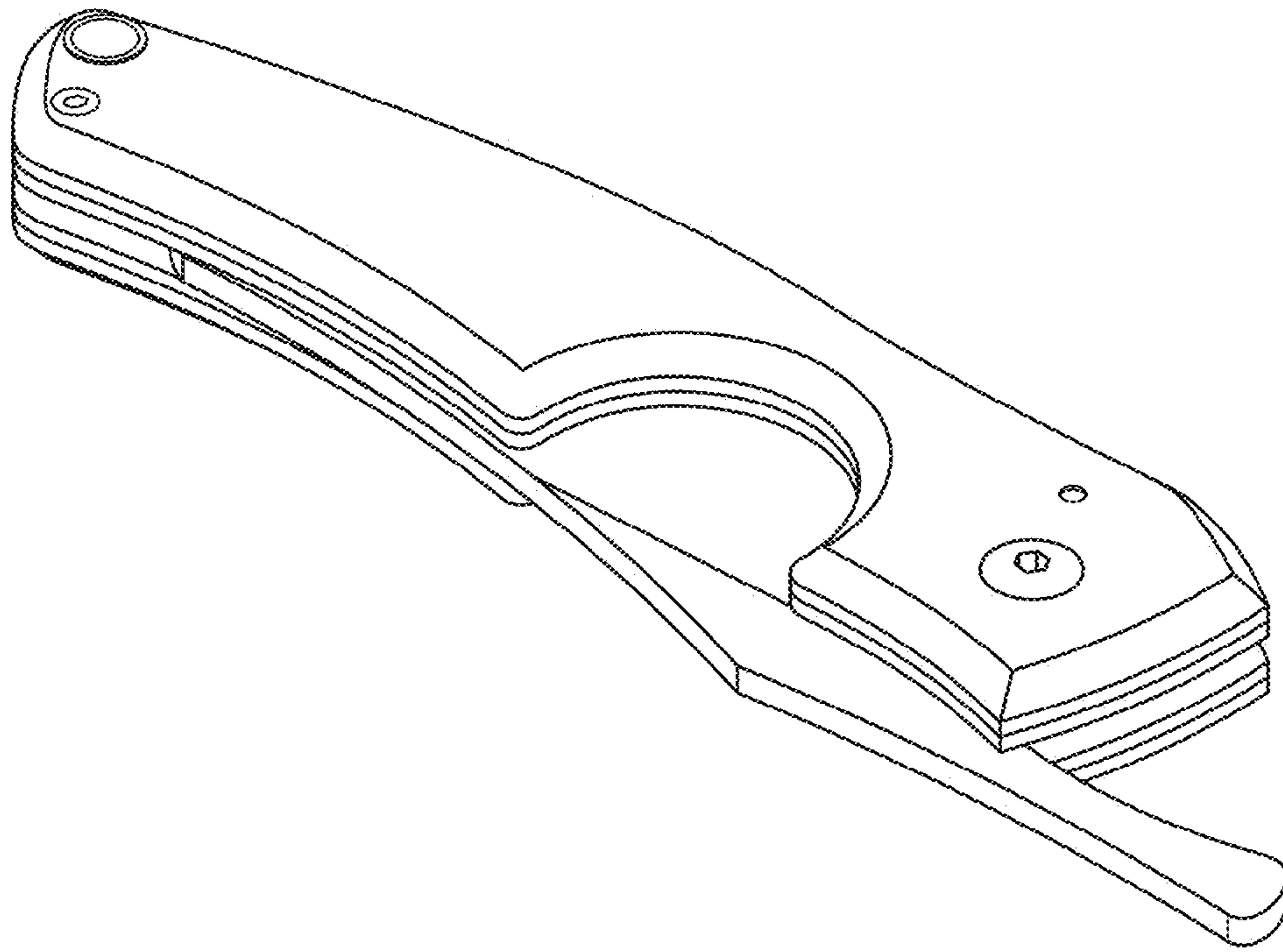


FIGURE 7

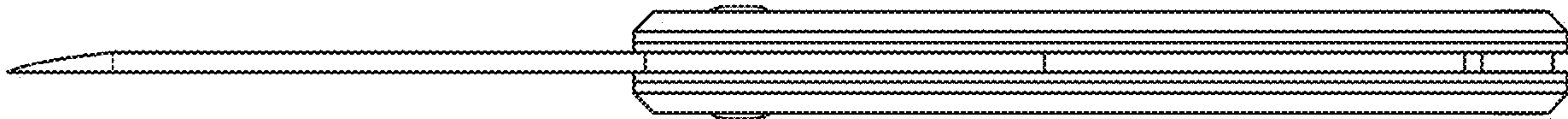


FIGURE 8

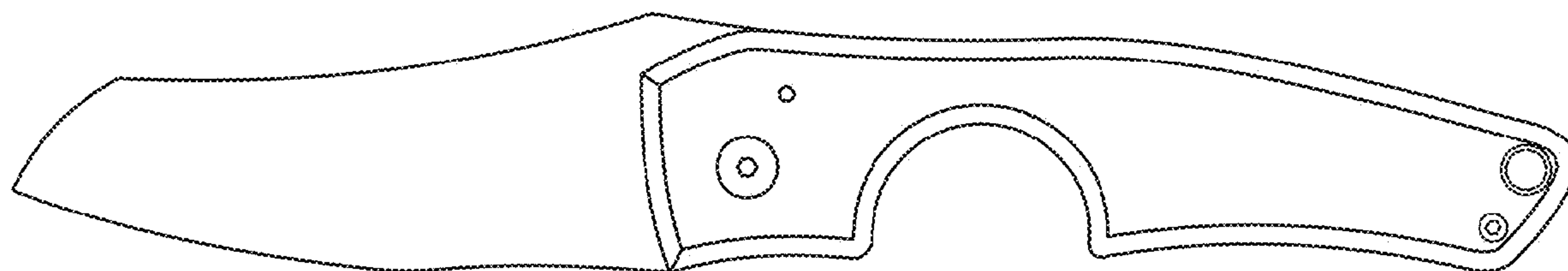


FIGURE 9

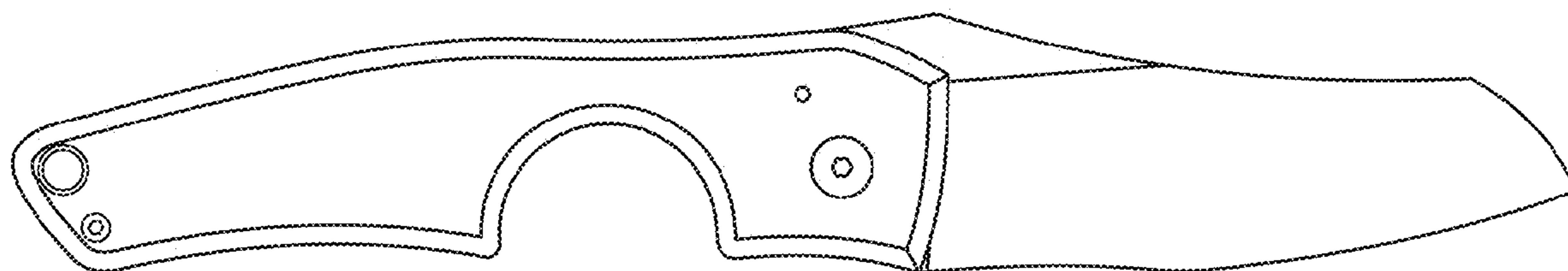


FIGURE 10

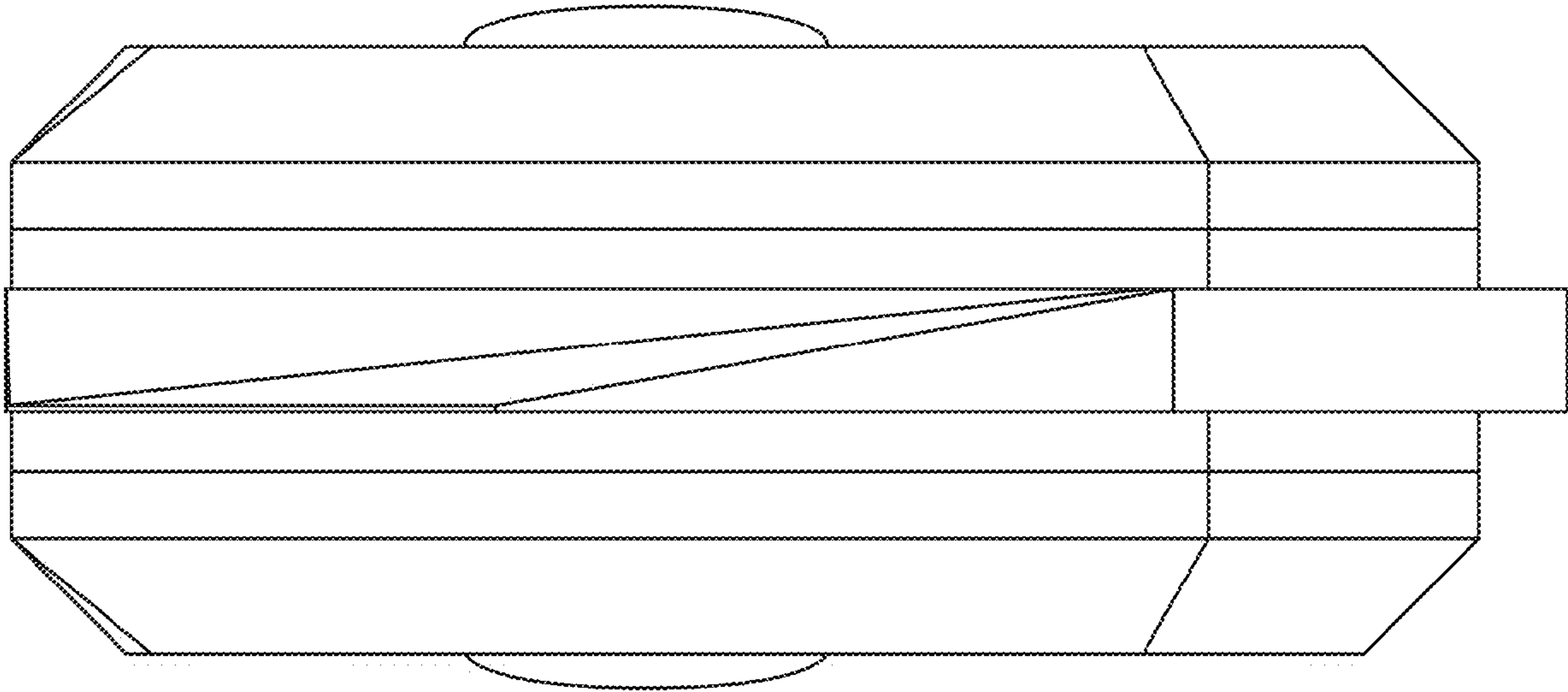


FIGURE 11



FIGURE 12

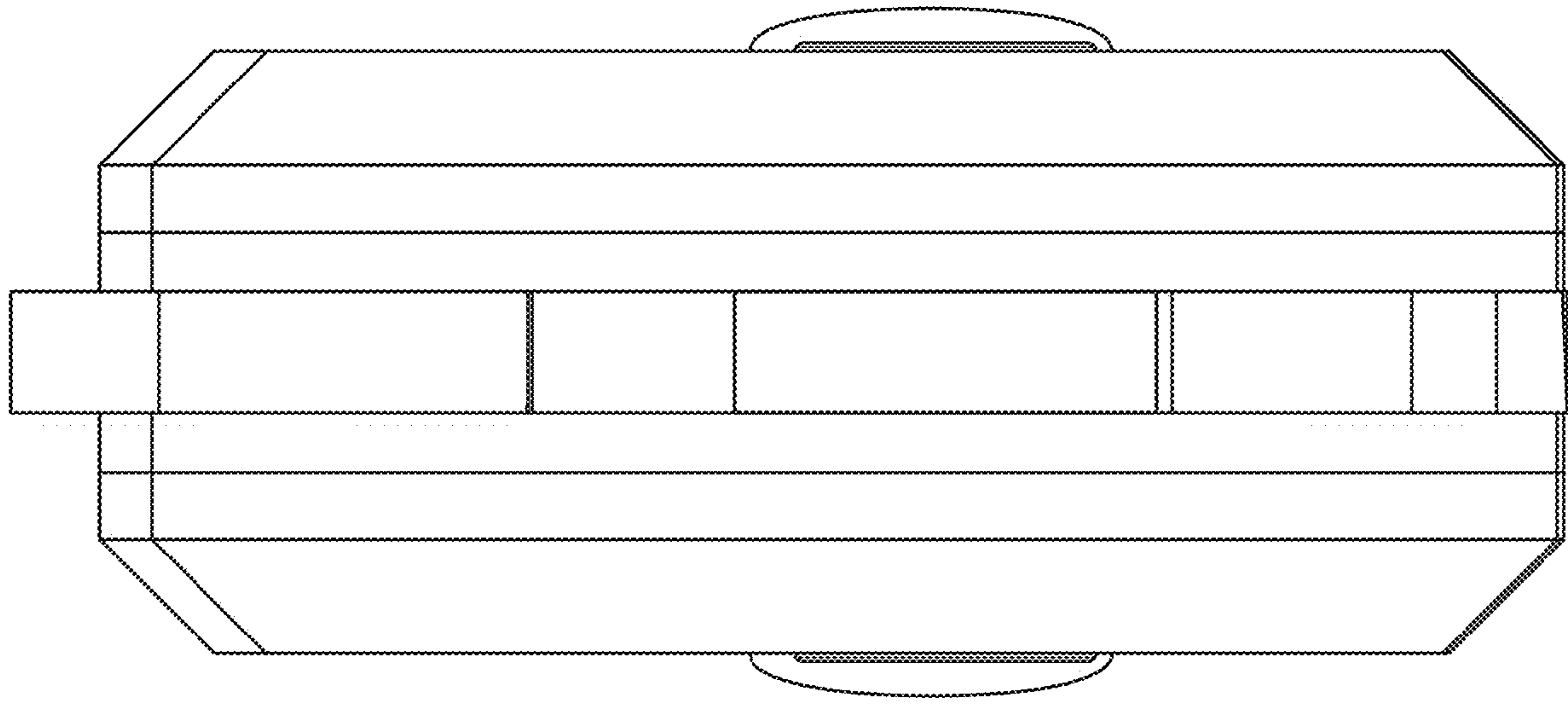


FIGURE 13

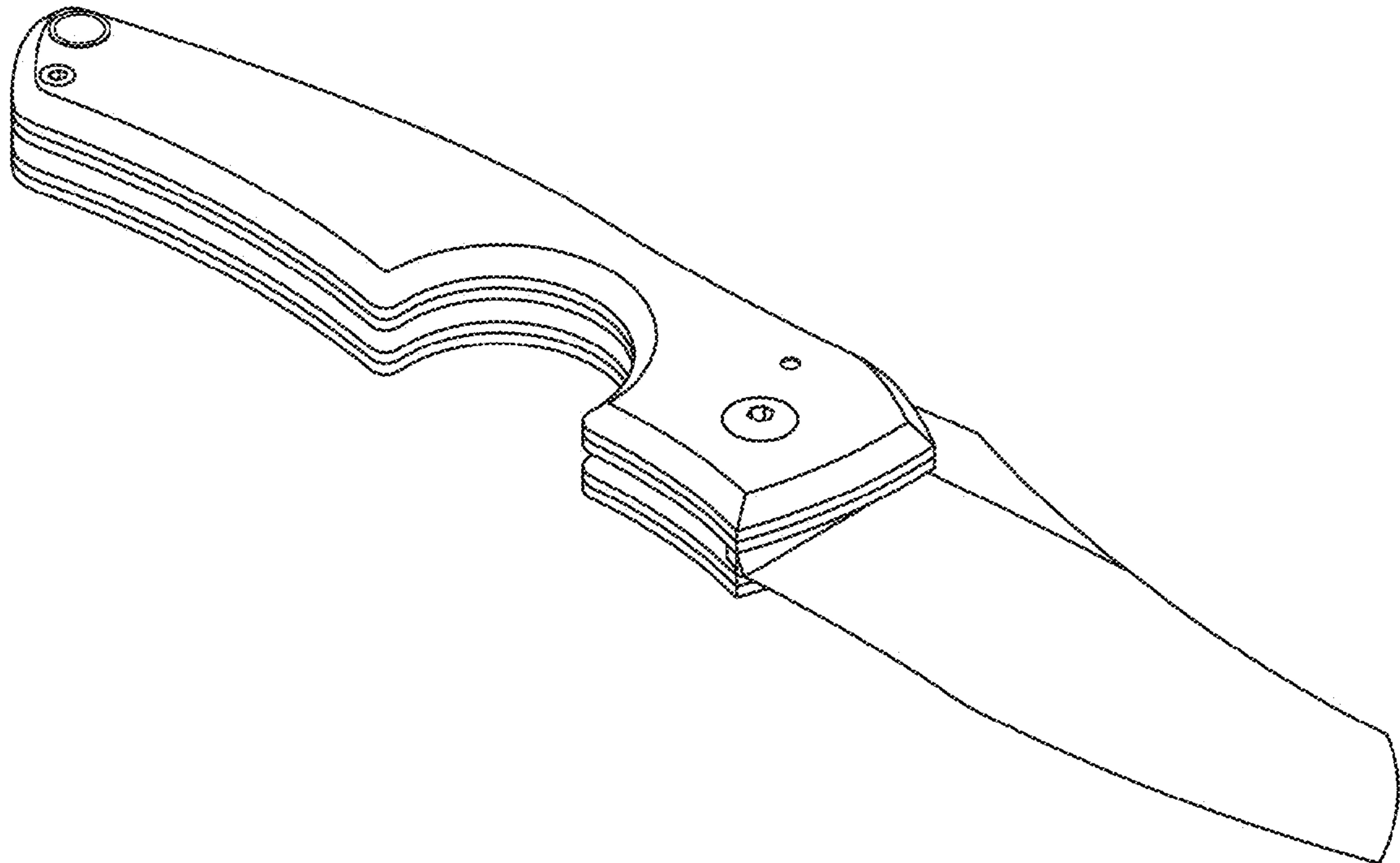


FIGURE 14