



US00D981036S

(12) **United States Design Patent** (10) **Patent No.:** **US D981,036 S**
Slate et al. (45) **Date of Patent:** **** Mar. 14, 2023**

(54) **HUMIDOR**
(71) Applicants: **Michael Slate**, Indianapolis, IN (US);
Ian Winston Scott Bennett,
Indianapolis, IN (US)
(72) Inventors: **Michael Slate**, Indianapolis, IN (US);
Ian Winston Scott Bennett,
Indianapolis, IN (US)

D756,032 S * 5/2016 Chen D27/189
D815,343 S * 4/2018 Kesselman D27/187
D910,912 S * 2/2021 Slate D27/189
D943,823 S * 2/2022 Yang D27/189
D950,843 S * 5/2022 Maceda D27/186
D966,605 S * 10/2022 Yang D27/189
D967,518 S * 10/2022 Damti D27/172
2009/0014019 A1 * 1/2009 Park A24F 25/00
131/328
2020/0037661 A1 * 2/2020 Slate A24F 25/02

(**) Term: **15 Years**

(21) Appl. No.: **29/797,768**

(22) Filed: **Jul. 2, 2021**

(51) **LOC (14) Cl.** **27-06**

(52) **U.S. Cl.**
USPC **D27/189**

(58) **Field of Classification Search**
USPC D27/190, 186-189, 183, 172; D3/201,
D3/203.1, 205, 211, 232, 273, 274, 285,
D3/289, 315
CPC A24F 25/02; A24F 25/00; A45C 11/16
See application file for complete search history.

(56) **References Cited**

U.S. PATENT DOCUMENTS

D374,946 S * 10/1996 Meurlin D27/189
5,607,051 A * 3/1997 Espinosa B65D 85/12
206/256
D398,715 S * 9/1998 Descalzo D27/189
D398,716 S * 9/1998 Schoen D27/189
D399,598 S * 10/1998 Perkins D27/189
D409,329 S * 5/1999 Bucher D27/189
5,970,987 A * 10/1999 Barreiro, Jr. A24F 25/02
312/31
D416,105 S * 11/1999 Garrison D27/189
D734,535 S * 7/2015 Dyer D27/189

OTHER PUBLICATIONS

Cigar Humidor By: Cigarmall found on Amazon (Dec. 31, 2022)
www.amazon.com/CIGARMALL-Humidor-Humidifier-Hygrometer-Capacity/dp/B09NSBH1MT/ref=sr_1_54?crd=2WQ6A0FH40OHG&keywords=humidor&qid= (Dec. 18, 2021).*

* cited by examiner

Primary Examiner — Rebecca Tsehaye
(74) *Attorney, Agent, or Firm* — Overhauser Law Offices, LLC

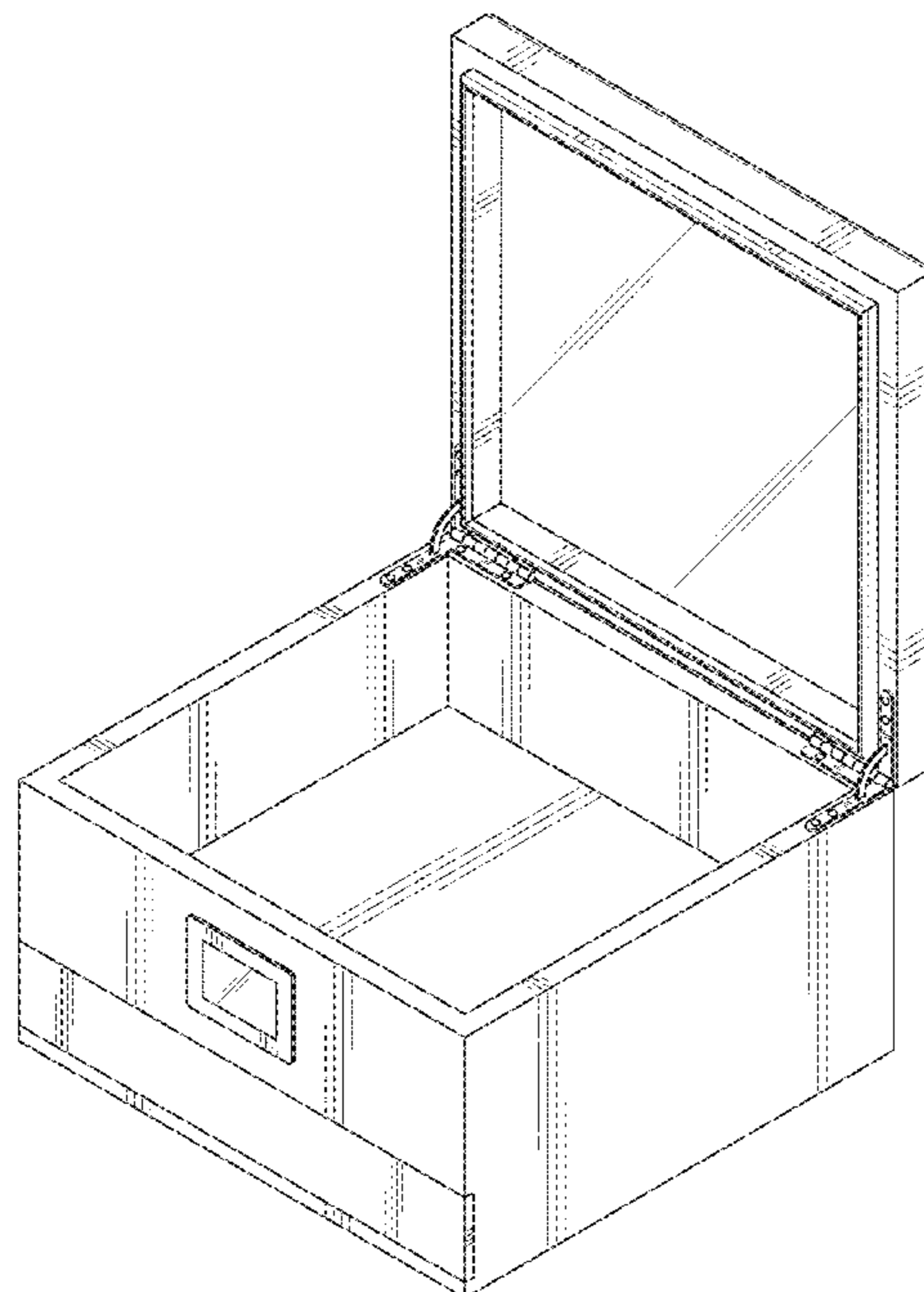
(57) **CLAIM**

The ornamental design for a humidor, as shown and described.

DESCRIPTION

FIG. 1 is a front perspective view of a humidor in an opened state, illustrating our new design;
FIG. 2 is a front view thereof;
FIG. 3 is a rear view thereof;
FIG. 4 is a left side view thereof;
FIG. 5 is a right side view thereof;
FIG. 6 is a top view thereof; and,
FIG. 7 is a bottom view thereof.

1 Claim, 7 Drawing Sheets



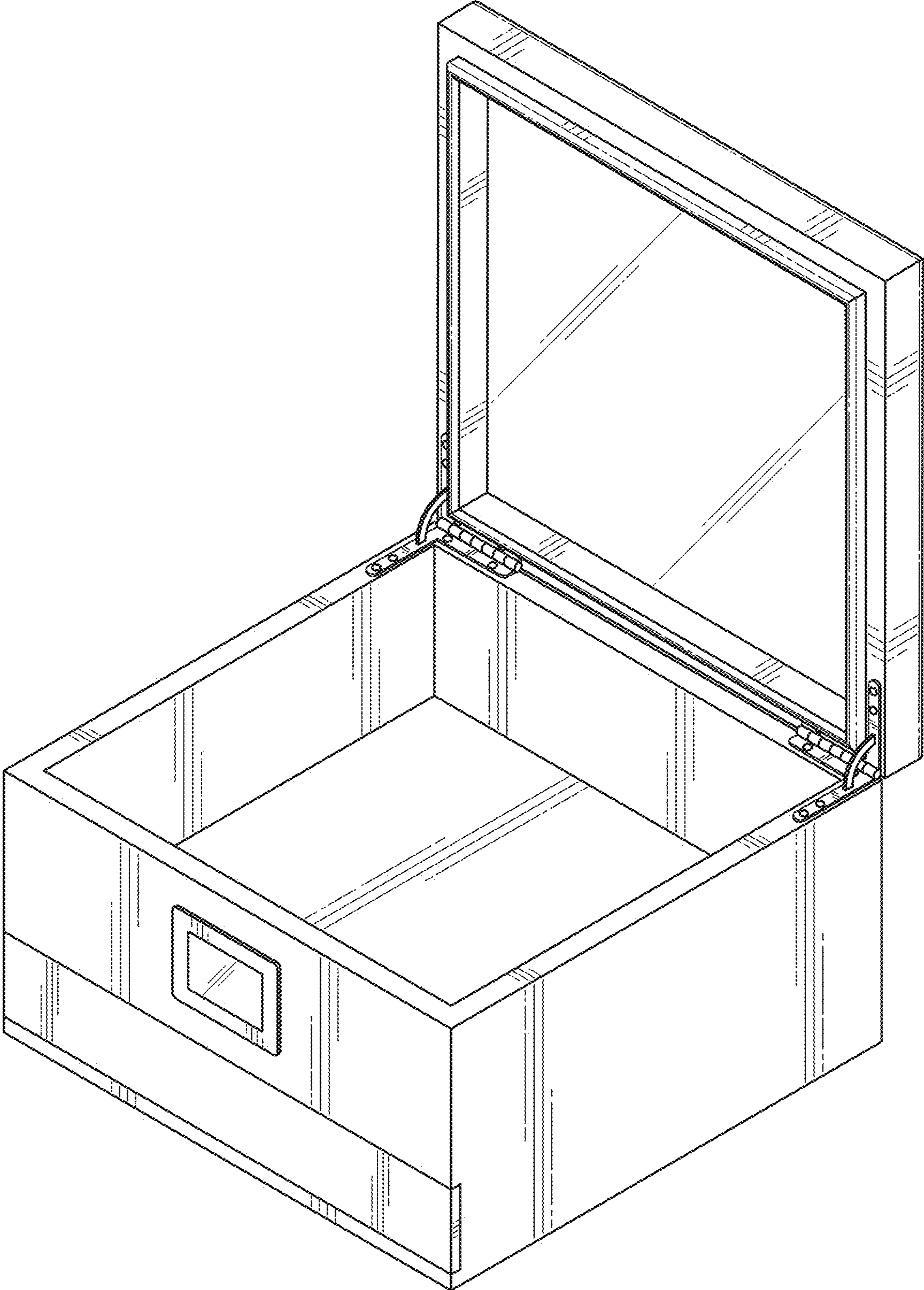


FIG. 1

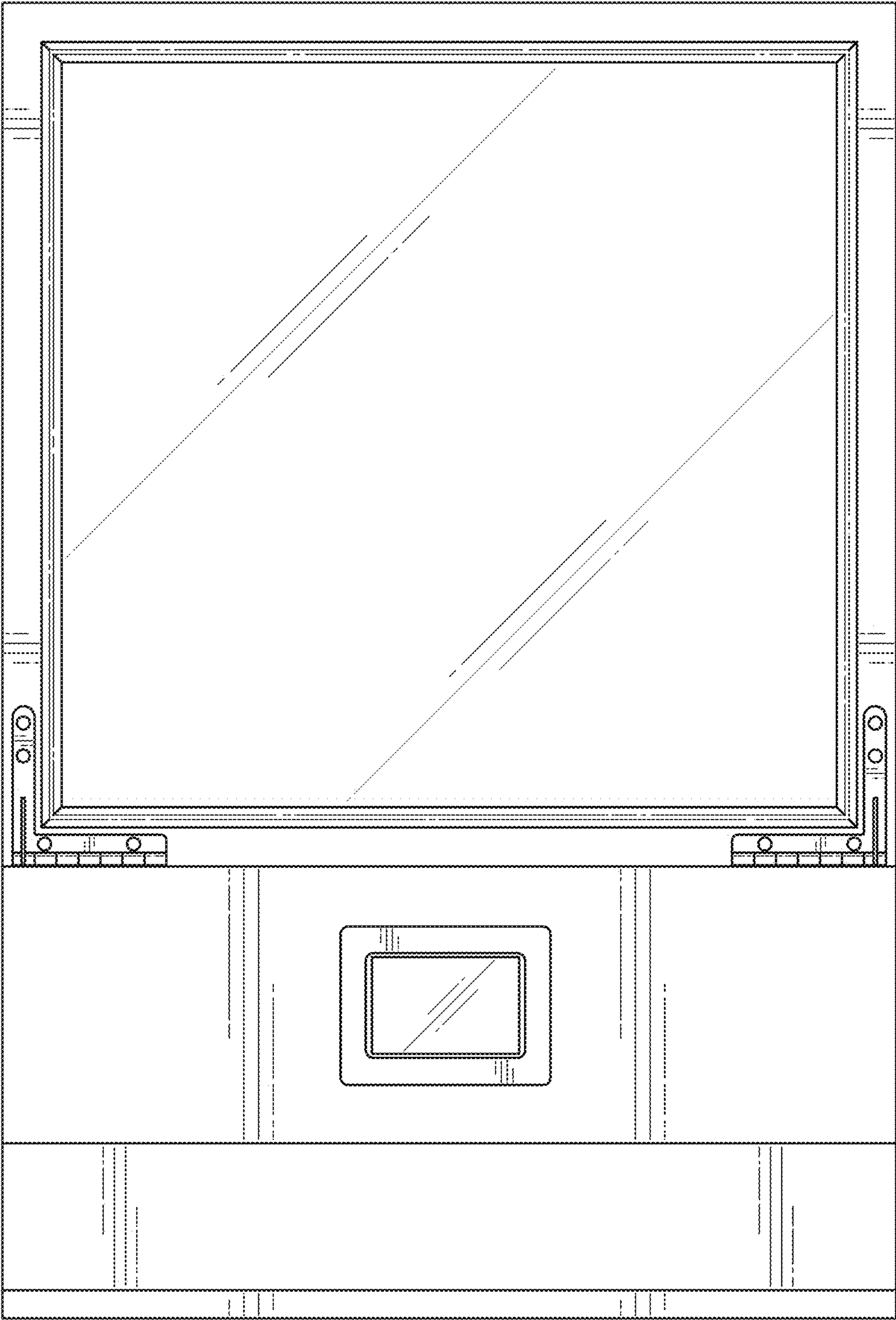


FIG. 2

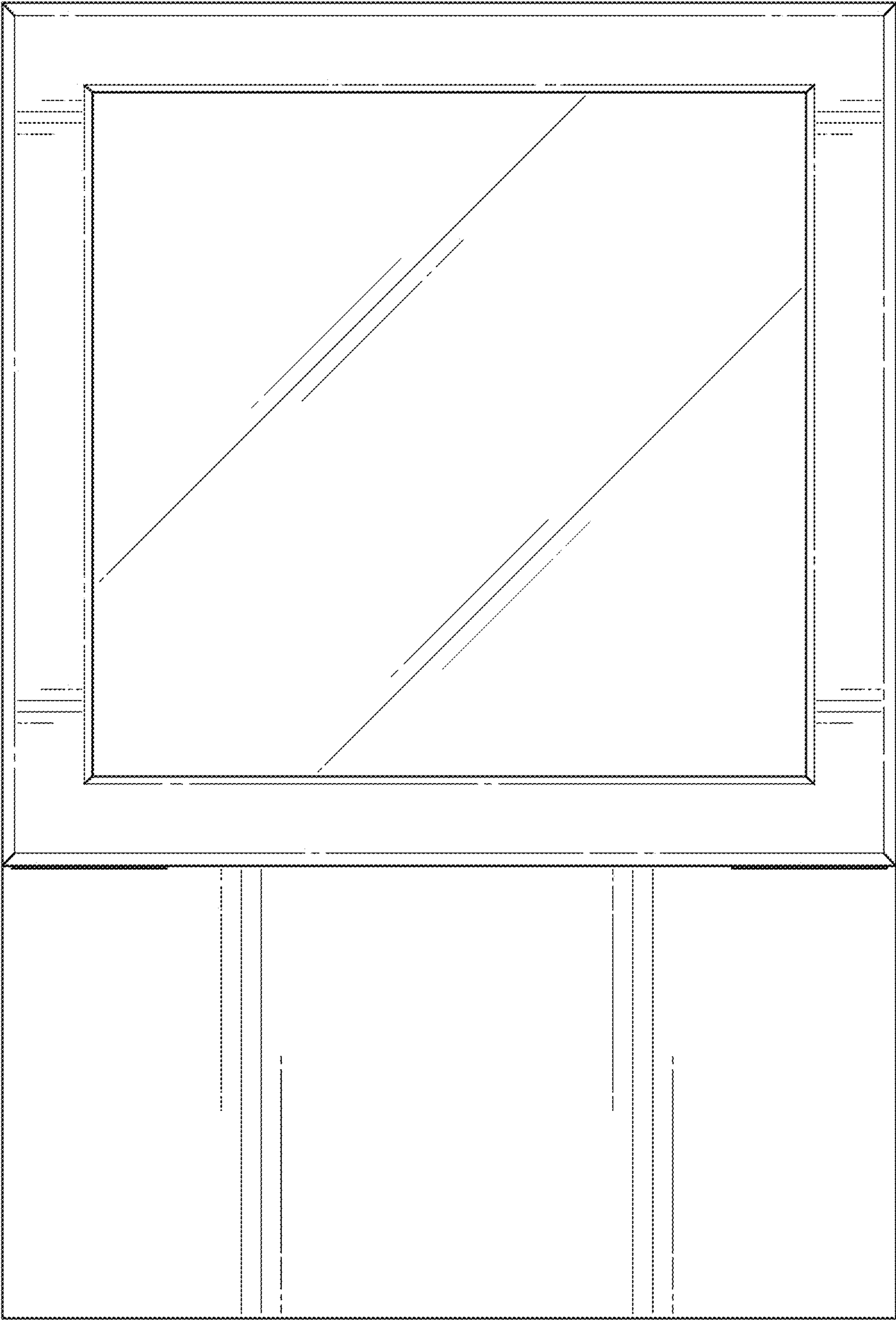


FIG. 3

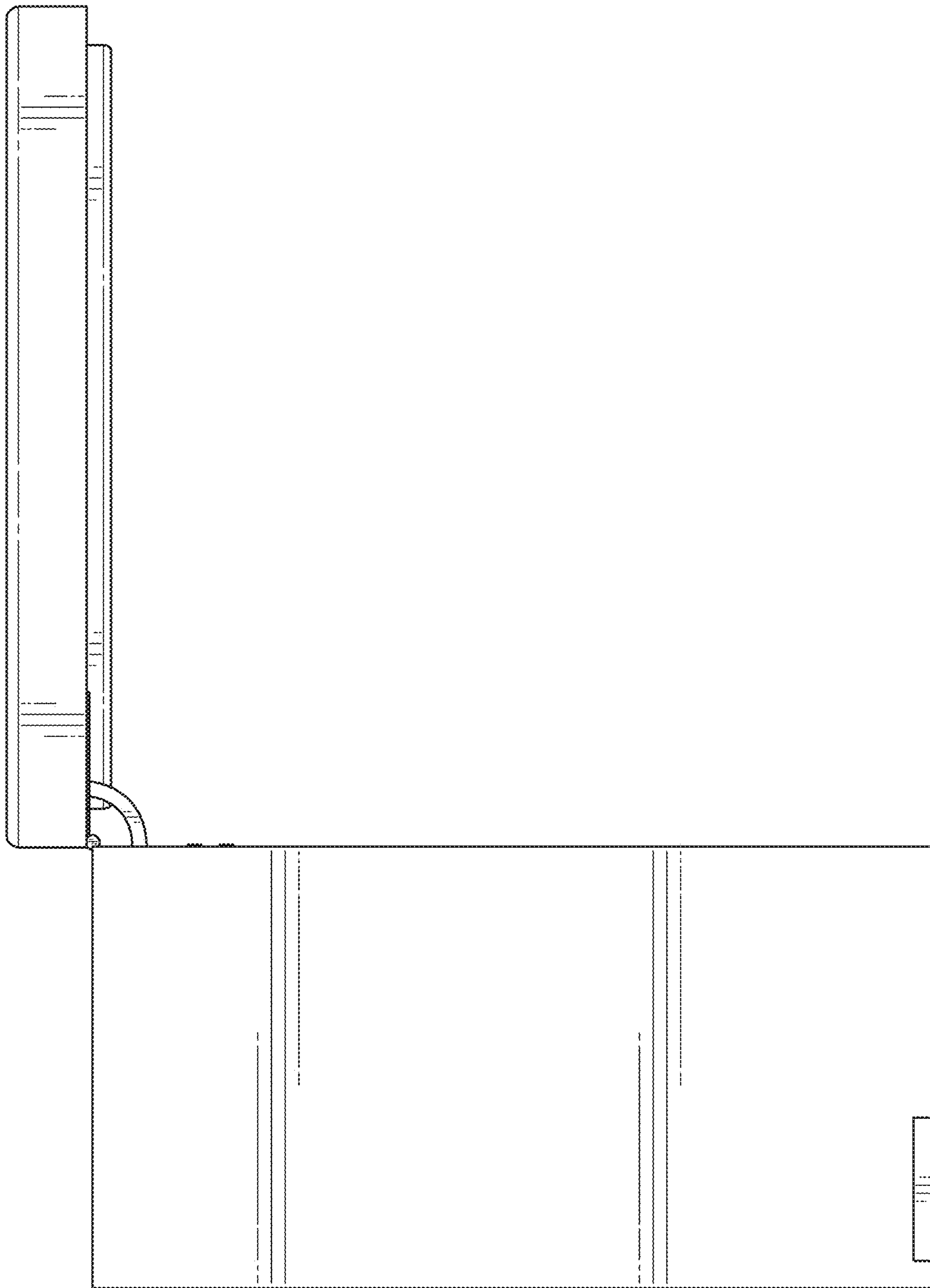


FIG. 4

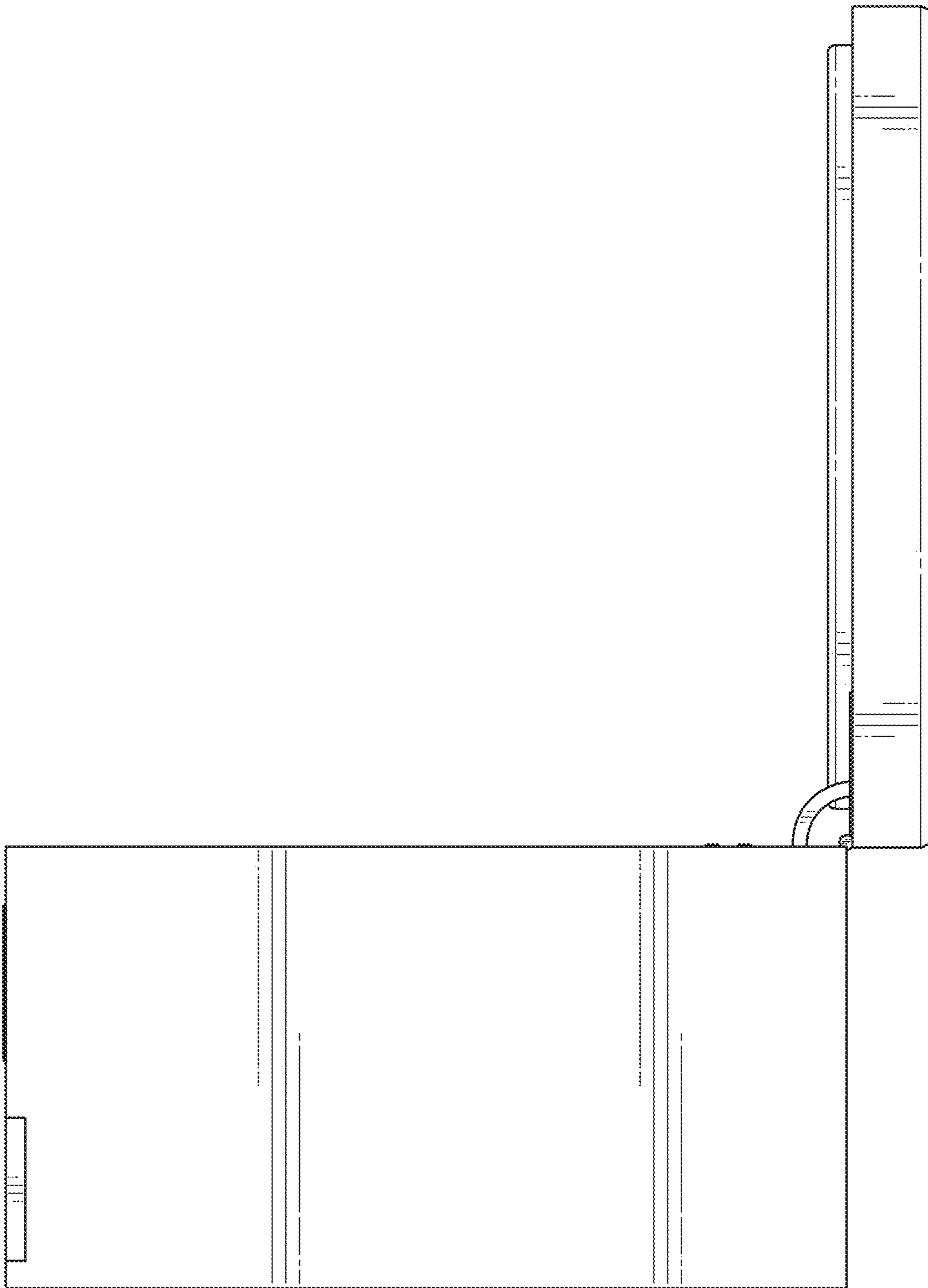


FIG. 5

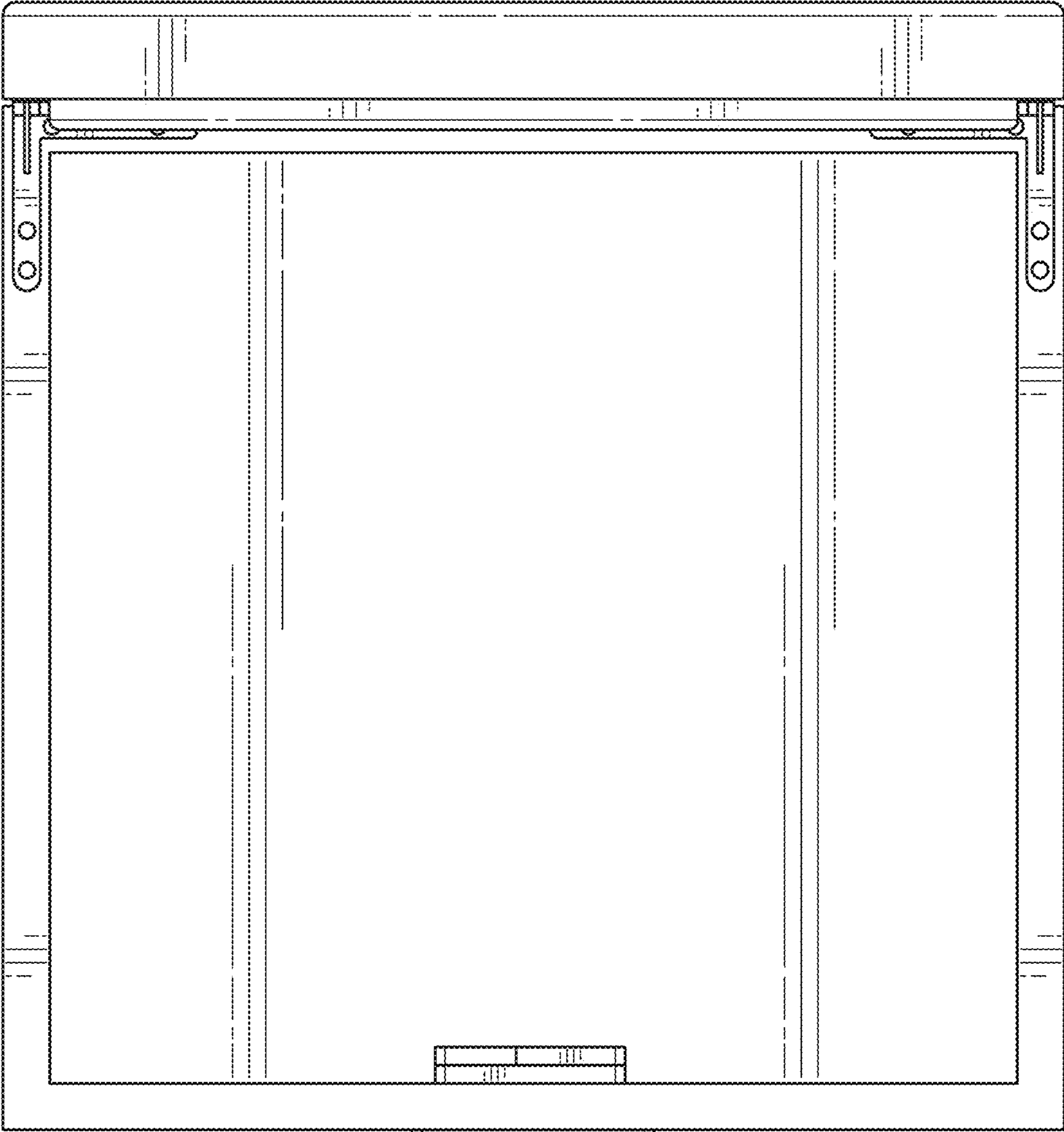


FIG. 6

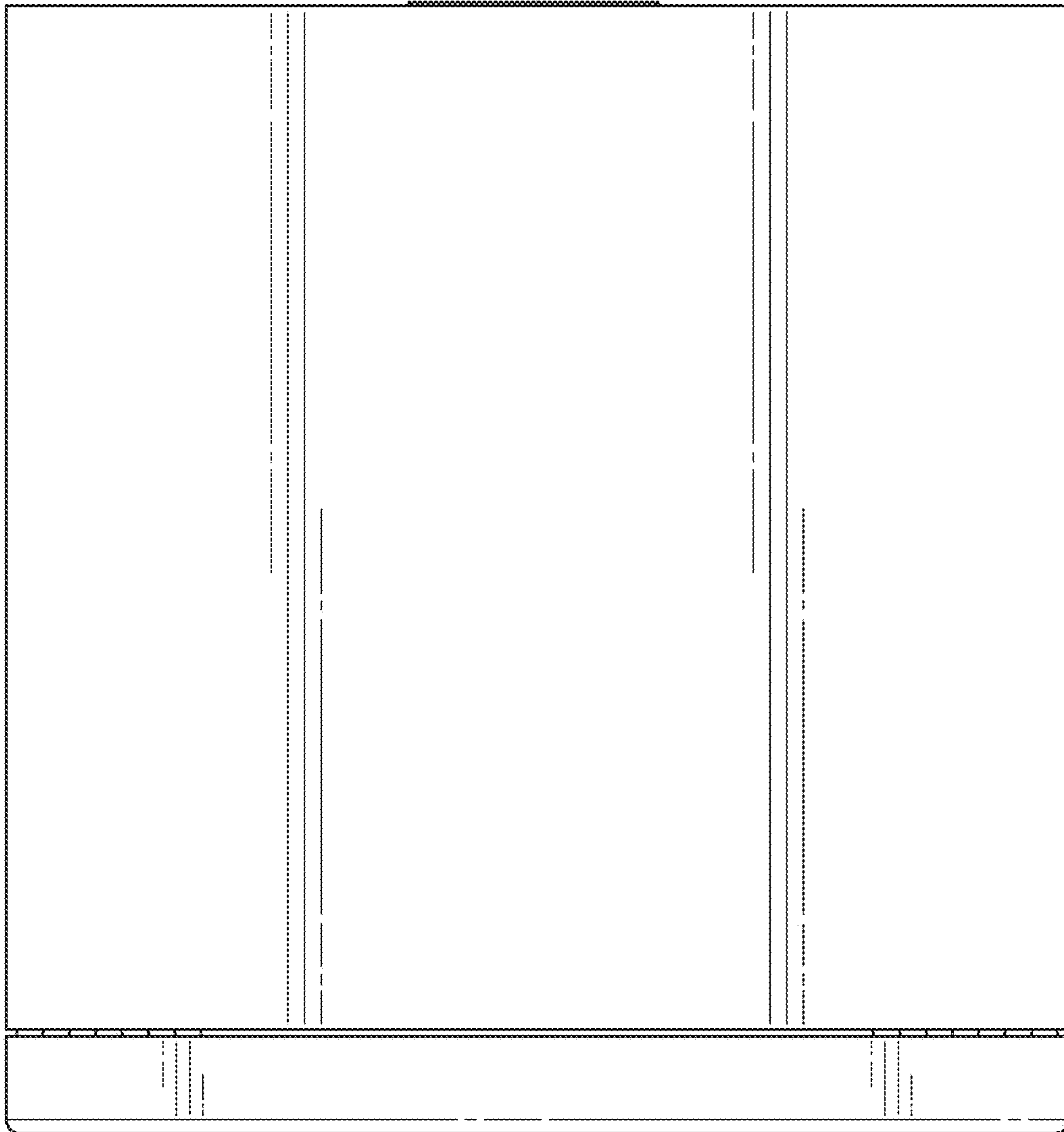


FIG. 7