



US00D981030S

(12) **United States Design Patent**
Feng

(10) **Patent No.:** **US D981,030 S**
(45) **Date of Patent:** **** Mar. 14, 2023**

(54) **SUBMERSIBLE LED LIGHT**

(71) Applicant: **Shenzhen Ruianda Trading Co., Ltd.**,
Shenzhen (CN)

(72) Inventor: **Qi Cheng Feng**, Shenzhen (CN)

(73) Assignee: **SHENZHEN RUIANDA TRADING CO., LTD.**, Shenzhen (CN)

(**) Term: **15 Years**

(21) Appl. No.: **29/776,992**

(22) Filed: **Apr. 1, 2021**

(30) **Foreign Application Priority Data**

Feb. 18, 2021 (CN) 202130097370.2

(51) **LOC (14) Cl.** **26-05**

(52) **U.S. Cl.**
USPC **D26/142**

(58) **Field of Classification Search**
USPC D26/79-92, 113, 138, 140, 142; D8/352;
D15/7; D32/15
CPC F21V 21/06; F21V 21/02; F04D 3/00
See application file for complete search history.

(56) **References Cited**

U.S. PATENT DOCUMENTS

D318,344 S *	7/1991	Arts	D26/113
D399,022 S *	9/1998	Jensen	D26/140
D403,100 S *	12/1998	Bartasevich	D26/113
D433,771 S *	11/2000	Hiller	D26/142
D550,895 S *	9/2007	Huang	D26/142

(Continued)

OTHER PUBLICATIONS

Outdoor Pond 144 Super Bright LED Lights, available in homedepot.com, customer oldest review Jun. 1, 2020 [online], [site visited], Available from the internet URL: <https://www.homedepot.com/p/>

Alpine-Corporation-8W-Outdoor-Pond-144-Super-Bright-LED-Lights-in-3-Colors-with-Controller-LED6144T/300497487? (Year: 2020).*

(Continued)

Primary Examiner — Kathleen L Jones

Assistant Examiner — Jasmine L. Comedy

(74) *Attorney, Agent, or Firm* — Andrew C. Cheng

(57) **CLAIM**

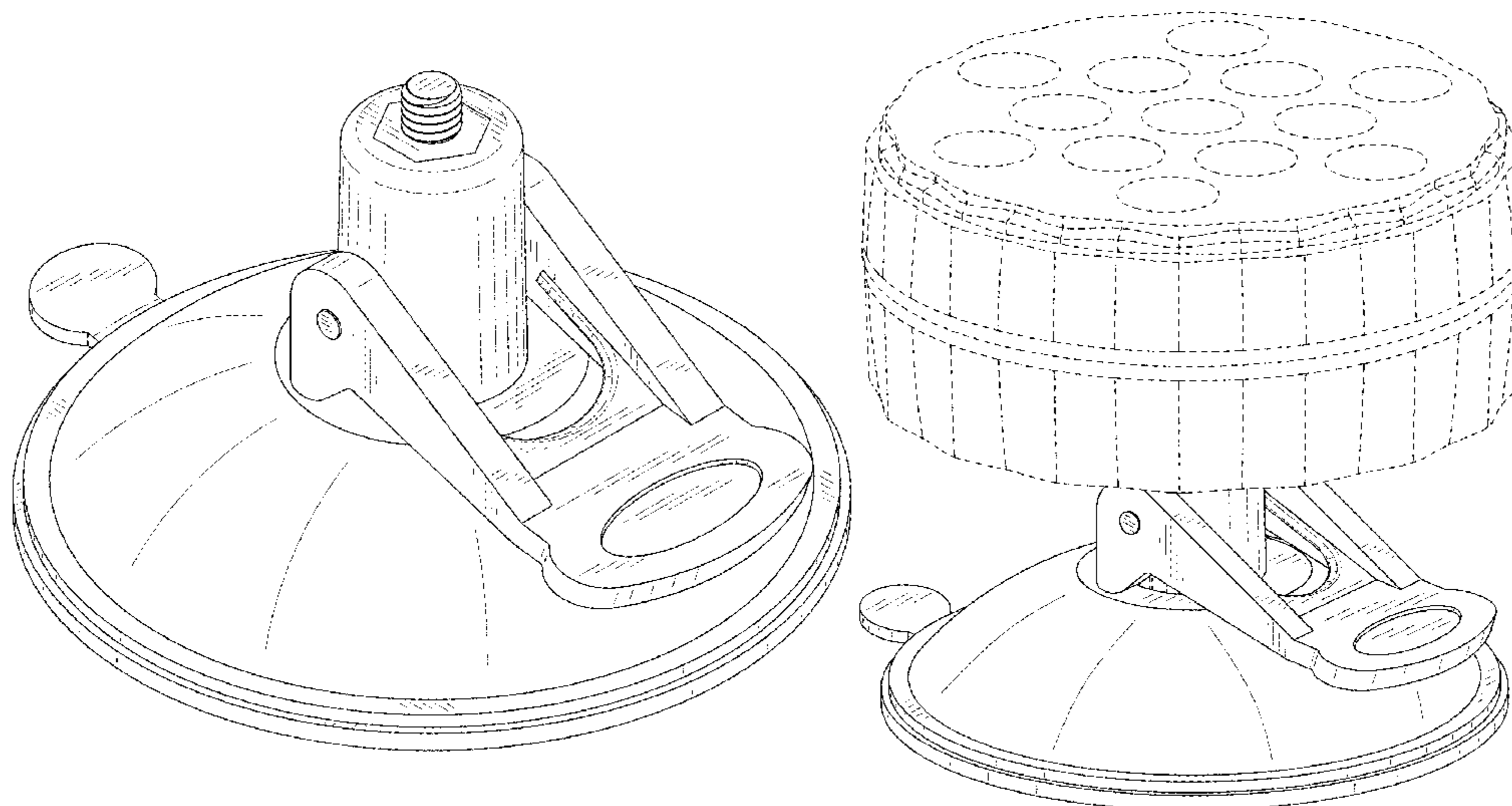
I claim the ornamental design for the submersible LED light, as shown and described.

DESCRIPTION

FIG. 1 is a first perspective view of a submersible LED light of my new design;
FIG. 2 is a second perspective view of the submersible LED light of FIG. 1, viewed from another aspect;
FIG. 3 is a front view thereof;
FIG. 4 is a rear view thereof;
FIG. 5 is a left view thereof;
FIG. 6 is a right view thereof;
FIG. 7 is a top view thereof;
FIG. 8 is a bottom view thereof;
FIG. 9 shows the submersible LED light of FIG. 1 in a first state of use;
FIG. 10 shows the submersible LED light of FIG. 1 in a second state of use;
FIG. 11 shows the submersible LED light of FIG. 1 in a third state of use;
FIG. 12 shows the submersible LED light of FIG. 1 in a fourth state of use;
FIG. 13 shows the submersible LED light of FIG. 1 in a fifth state of use;
FIG. 14 shows the submersible LED light of FIG. 1 in a sixth state of use; and,
FIG. 15 shows the submersible LED light of FIG. 1 in a seventh state of use.

The broken lines showing of the environment are for illustrative purposes only and form no part of the claimed design.

1 Claim, 15 Drawing Sheets



(56)

References Cited

U.S. PATENT DOCUMENTS

D583,990 S	*	12/2008	Korpi	D26/142
D590,101 S	*	4/2009	Hsu	D26/142
D673,717 S	*	1/2013	Restel	D26/113
D746,522 S	*	12/2015	Erlich	D32/15
D843,642 S	*	3/2019	Mathews	D26/142
D931,522 S	*	9/2021	Hsu	D26/142

OTHER PUBLICATIONS

Image® 12 LED Mist Maker Fogger Water Fountain Pond Fog Machine , available in Amazon.com, customer review oldest date Jun. 14, 2017 [online], [site visited Nov. 8, 2022], Available from the internet URL: <https://a.co/d/cpp0CyX> (Year: 2017).*

Metal Desktop Lamp Base Ceramic Base Holder, available in Amazon.com, date first available Apr. 19, 2018 [online], [site visited Nov. 8, 2022], Available from the internet URL: <https://a.co/d/2u6En11> (Year: 2018).*

* cited by examiner

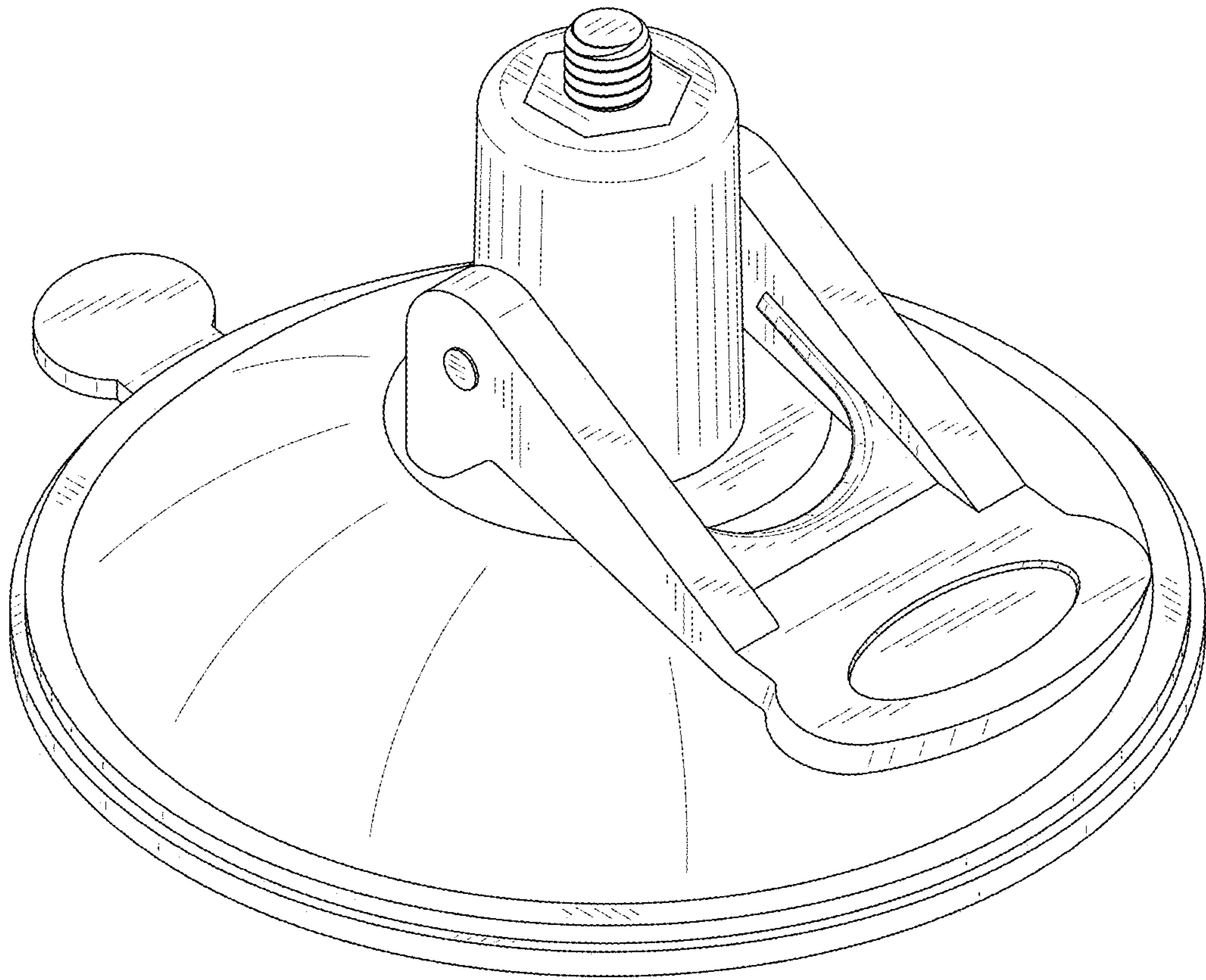


FIG. 1

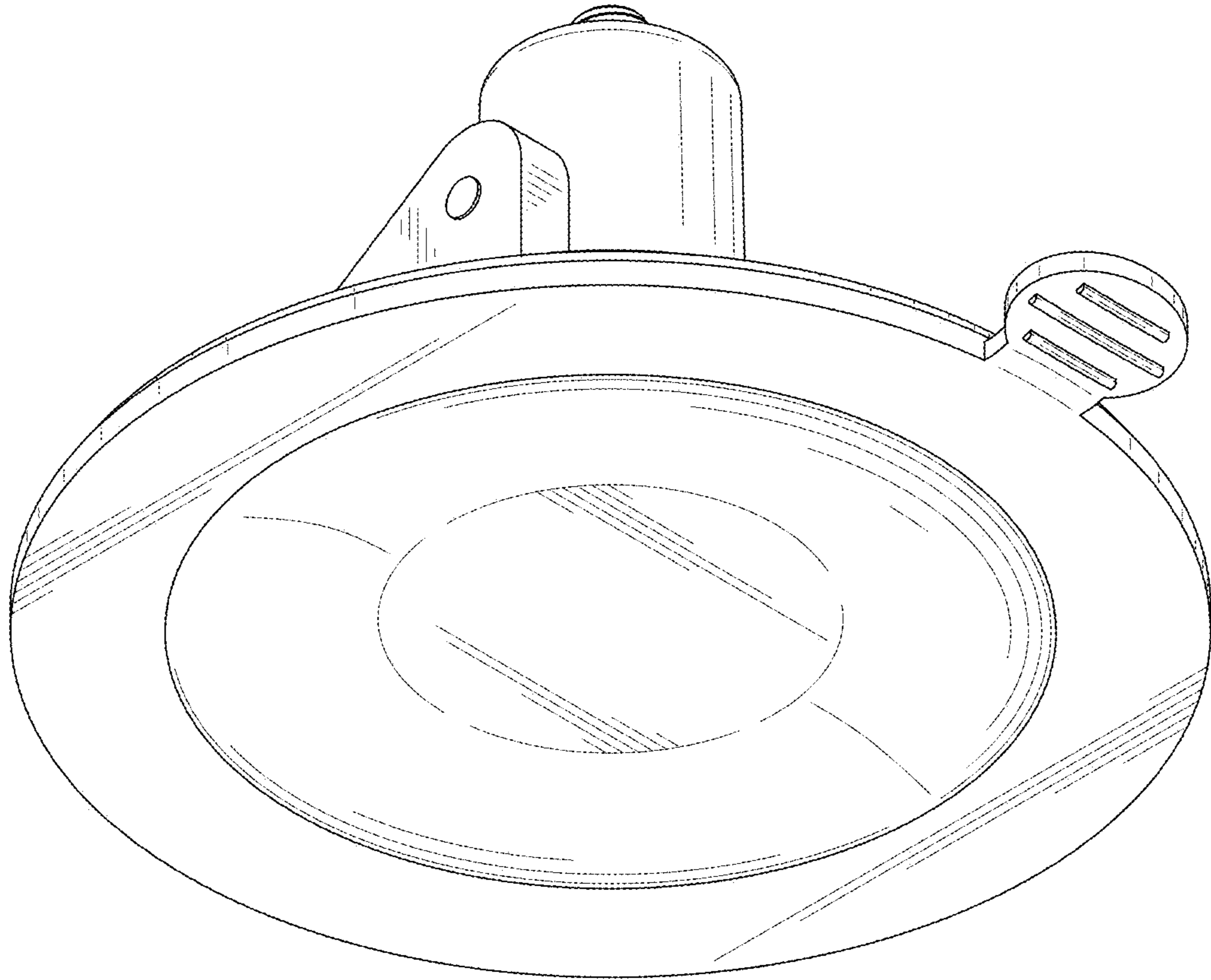


FIG. 2

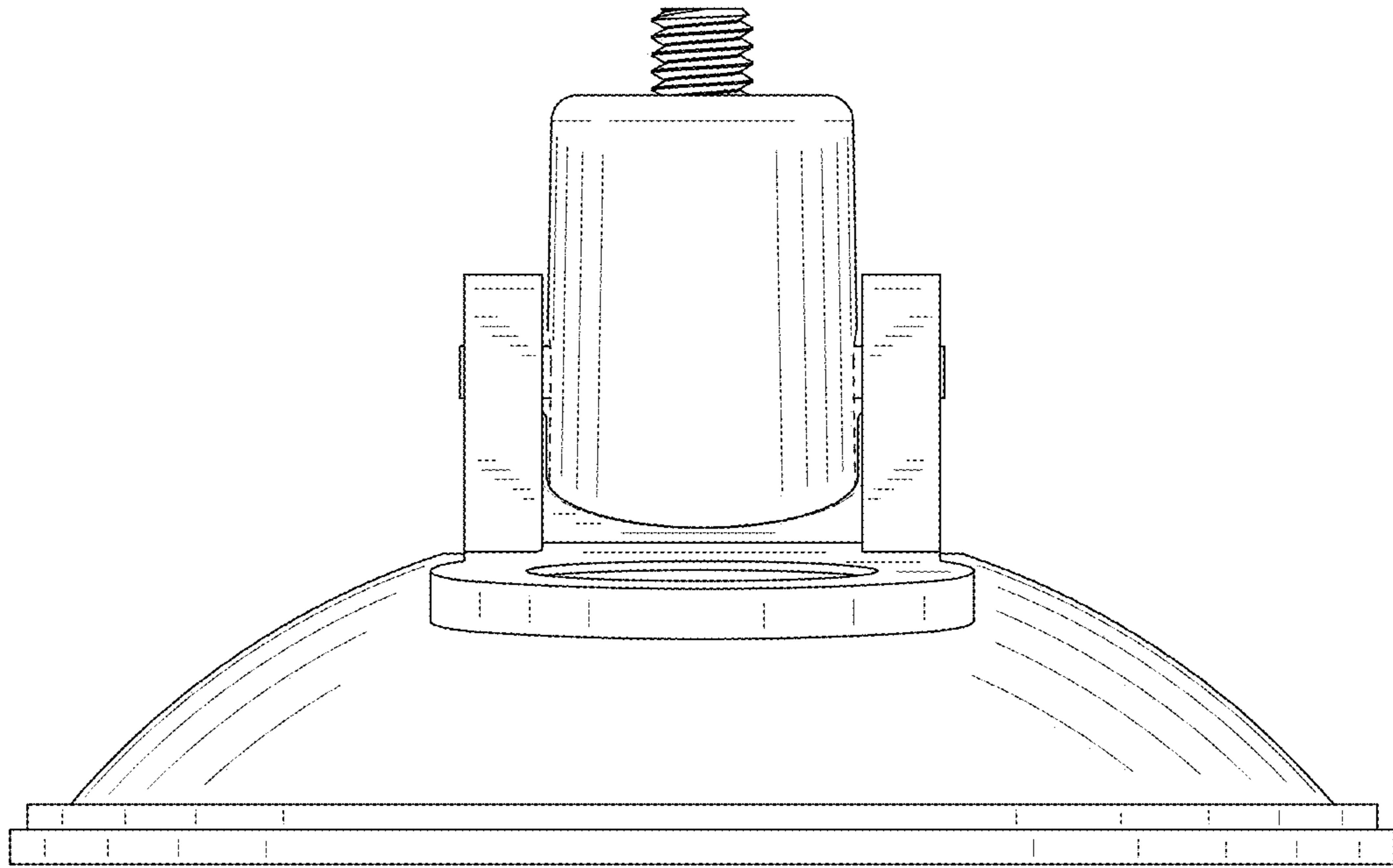


FIG. 3

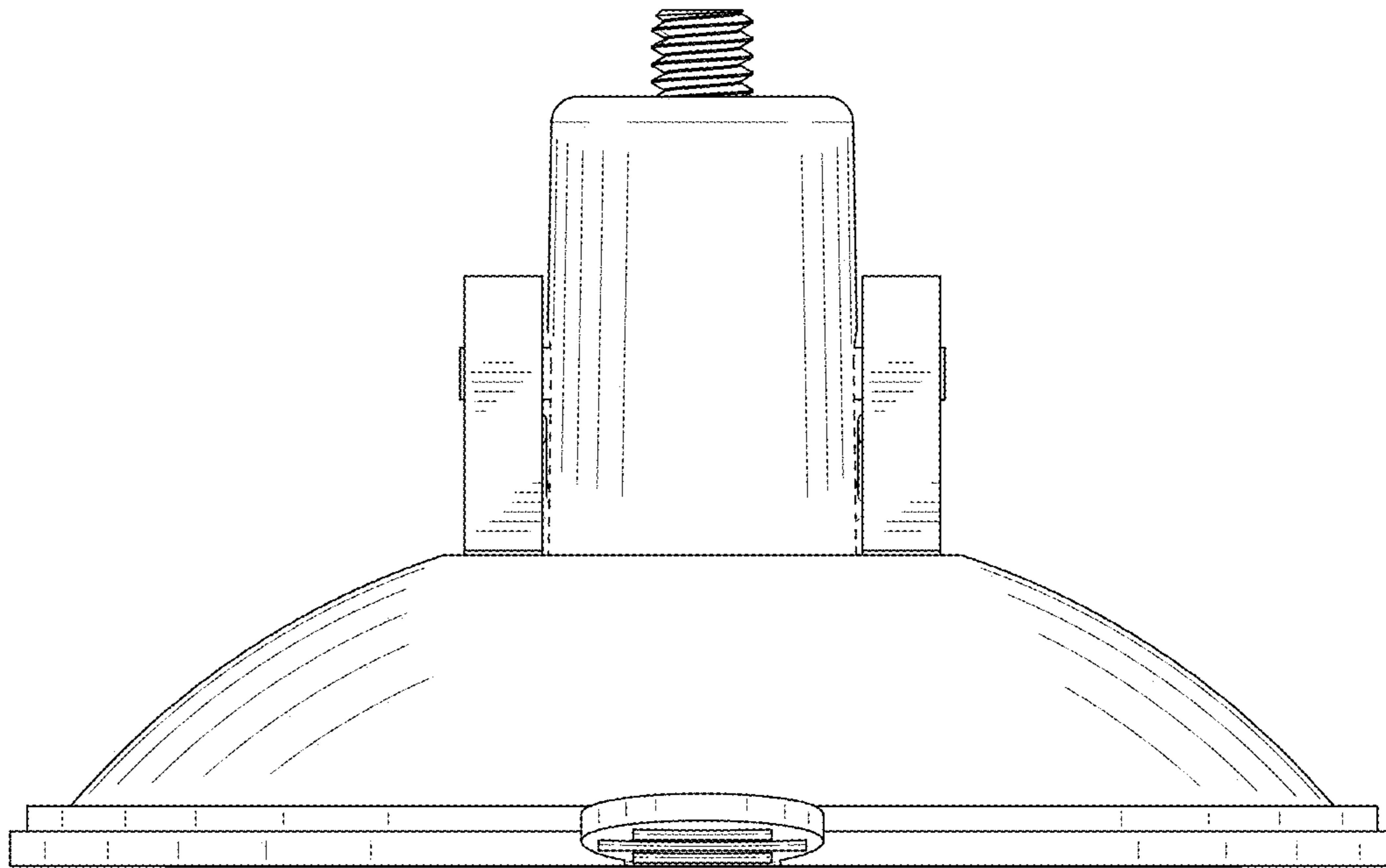


FIG. 4

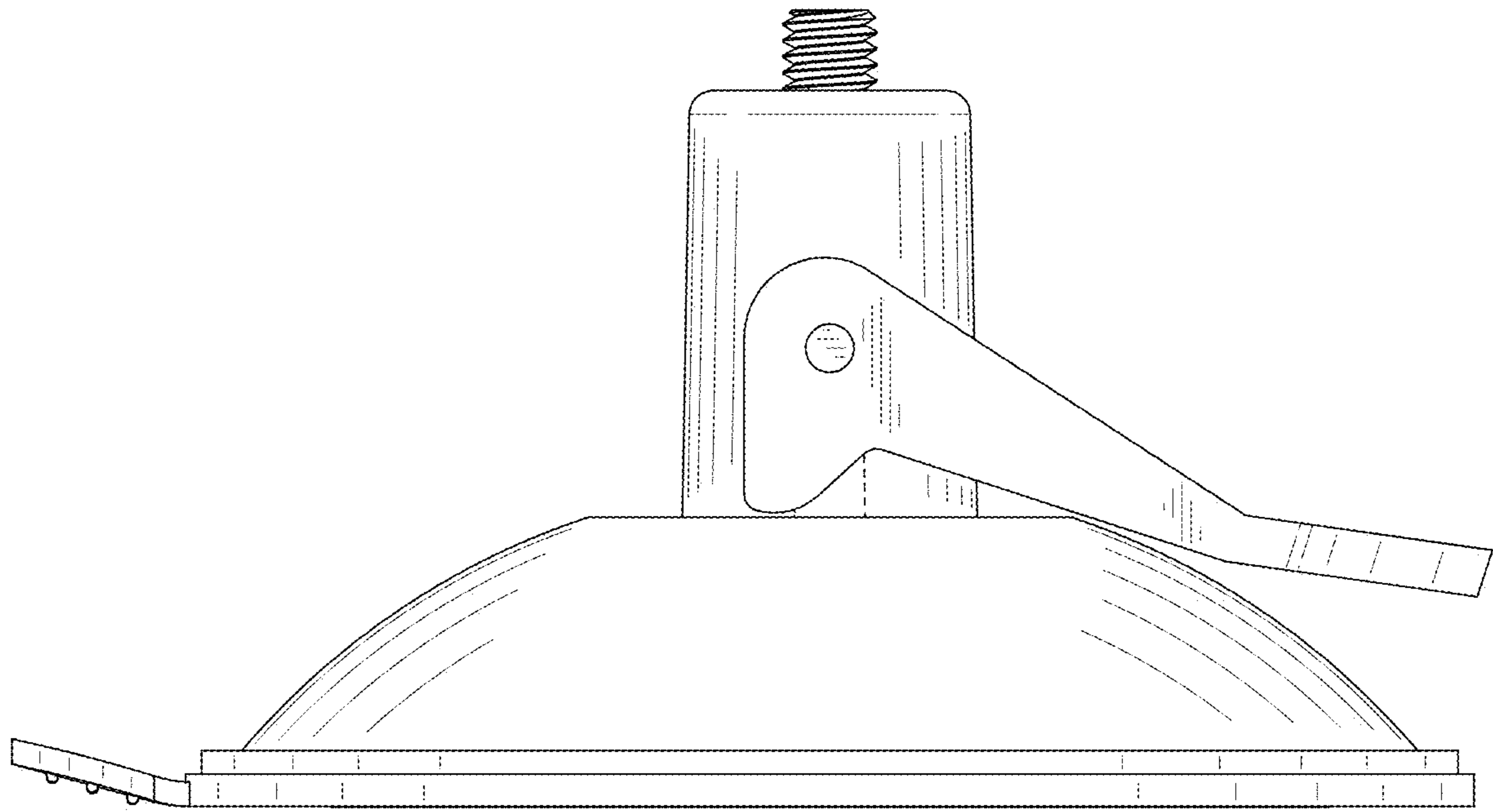


FIG. 5

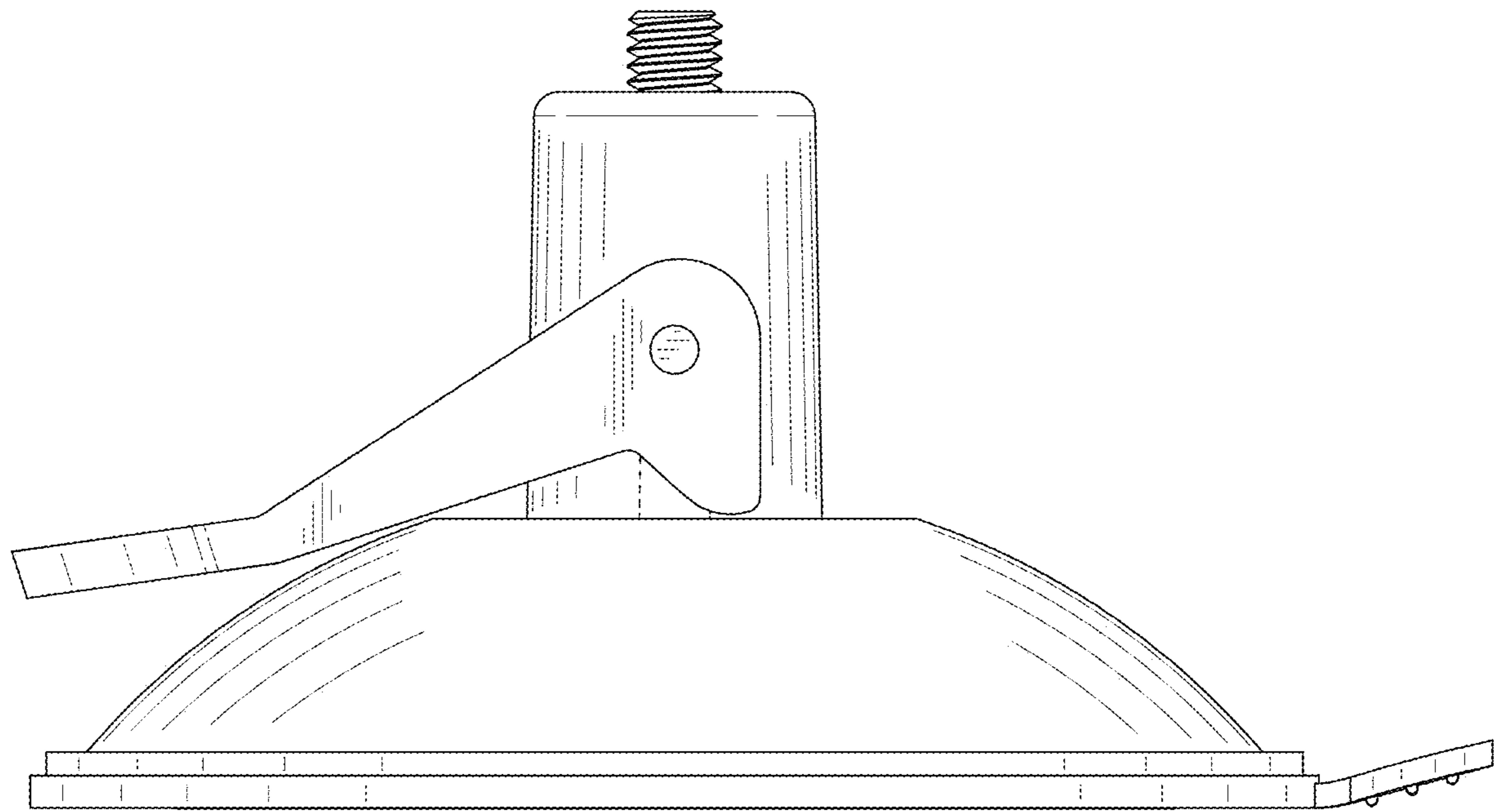


FIG. 6

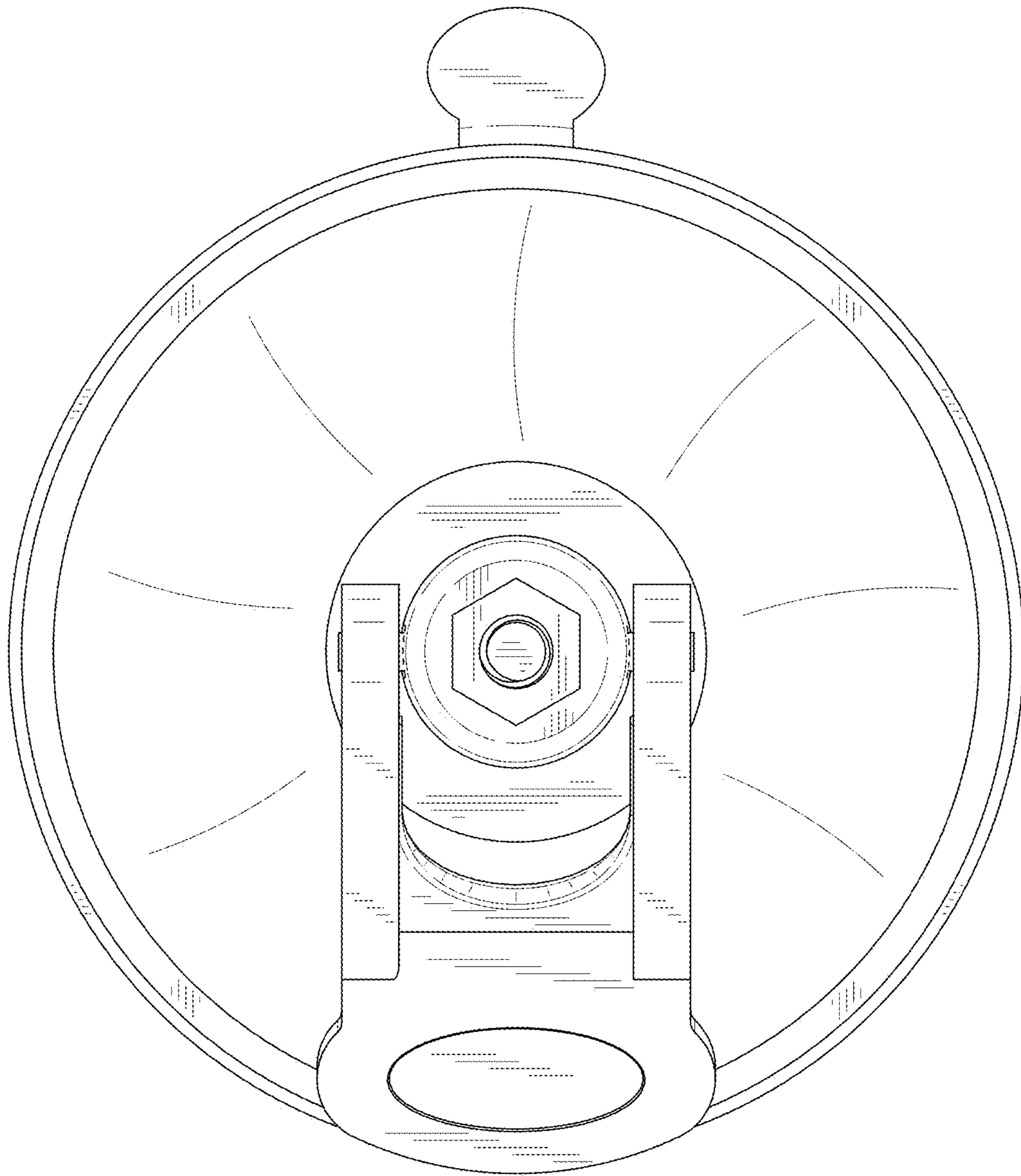


FIG. 7

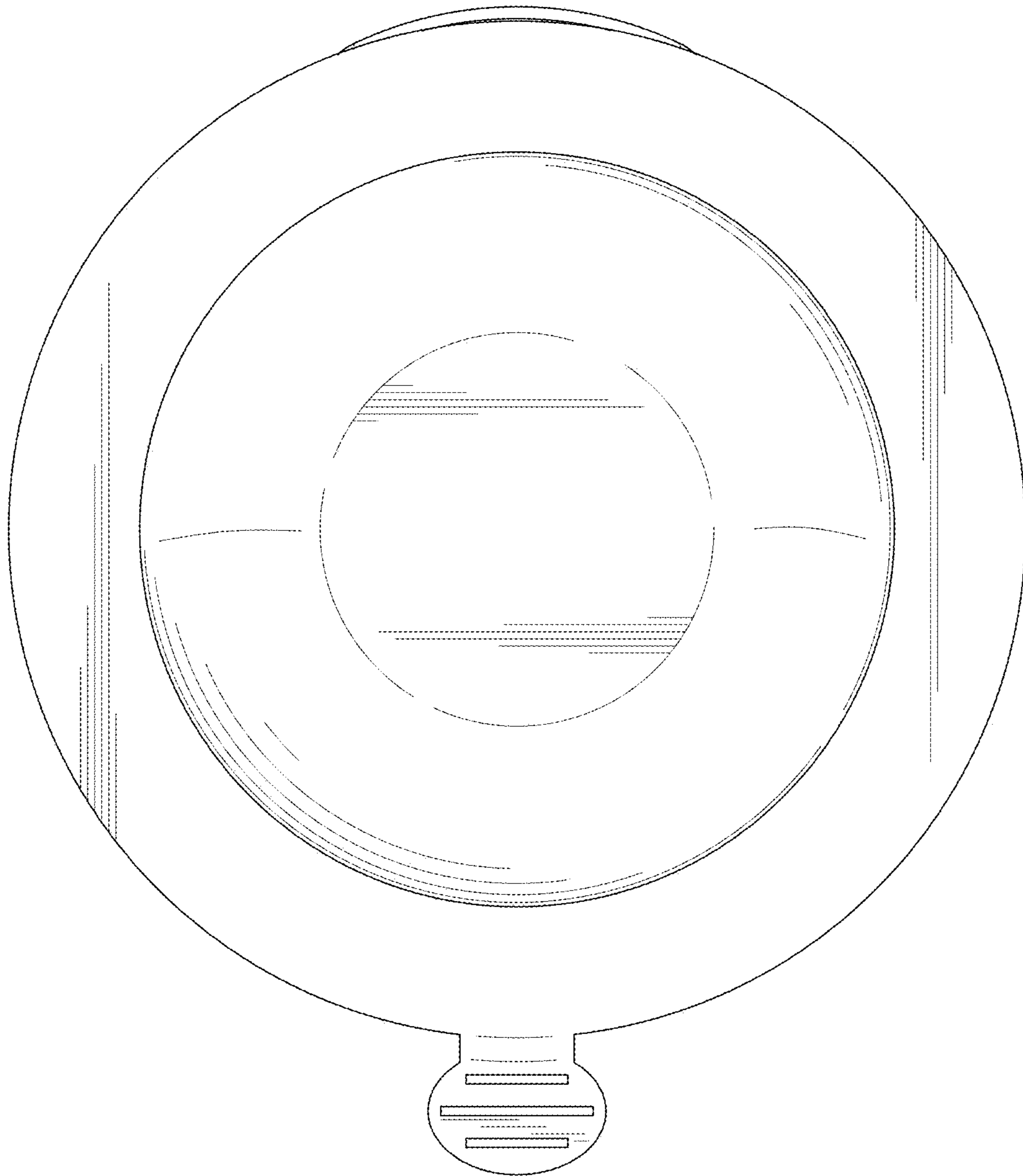


FIG. 8

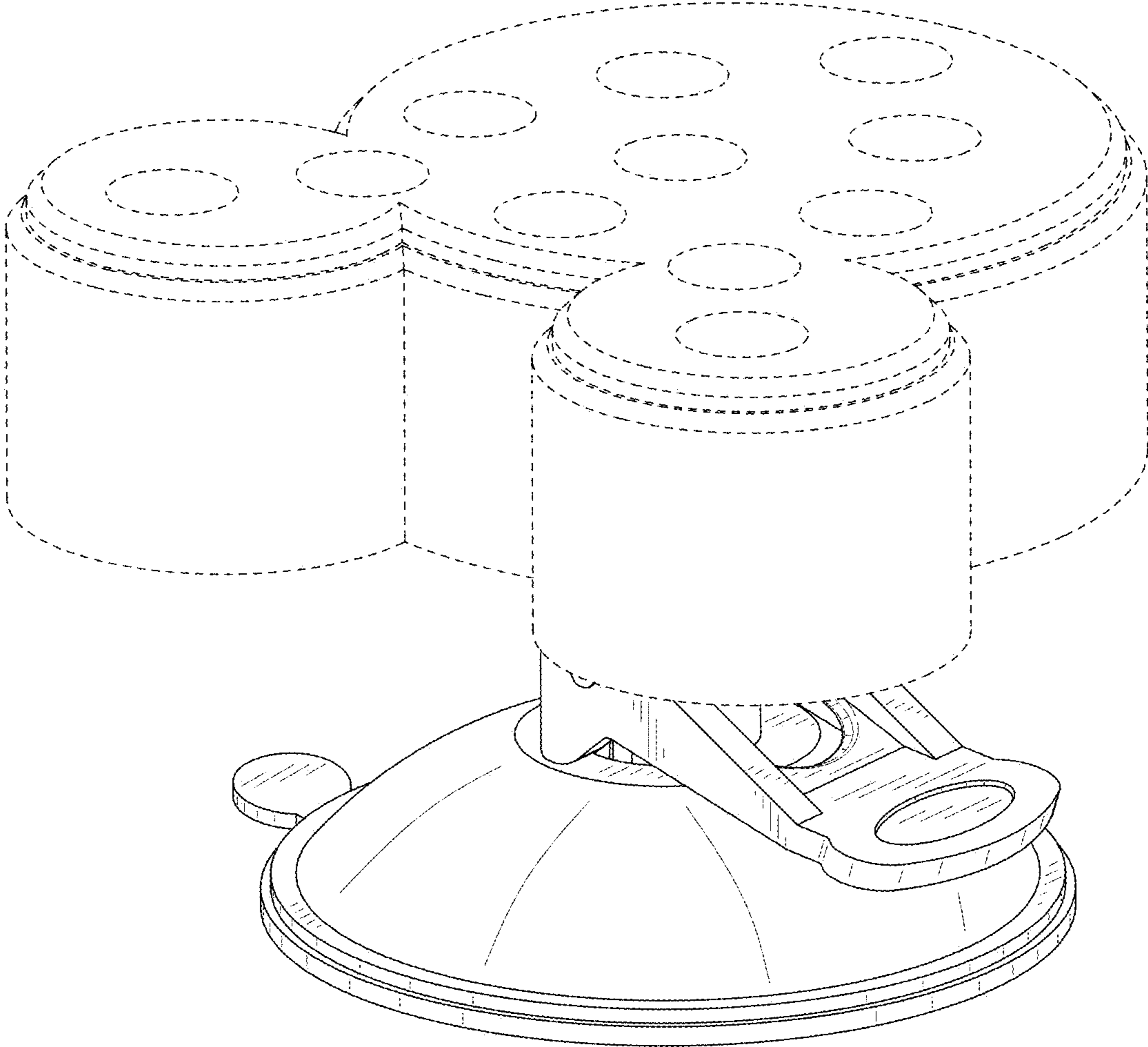


FIG. 9

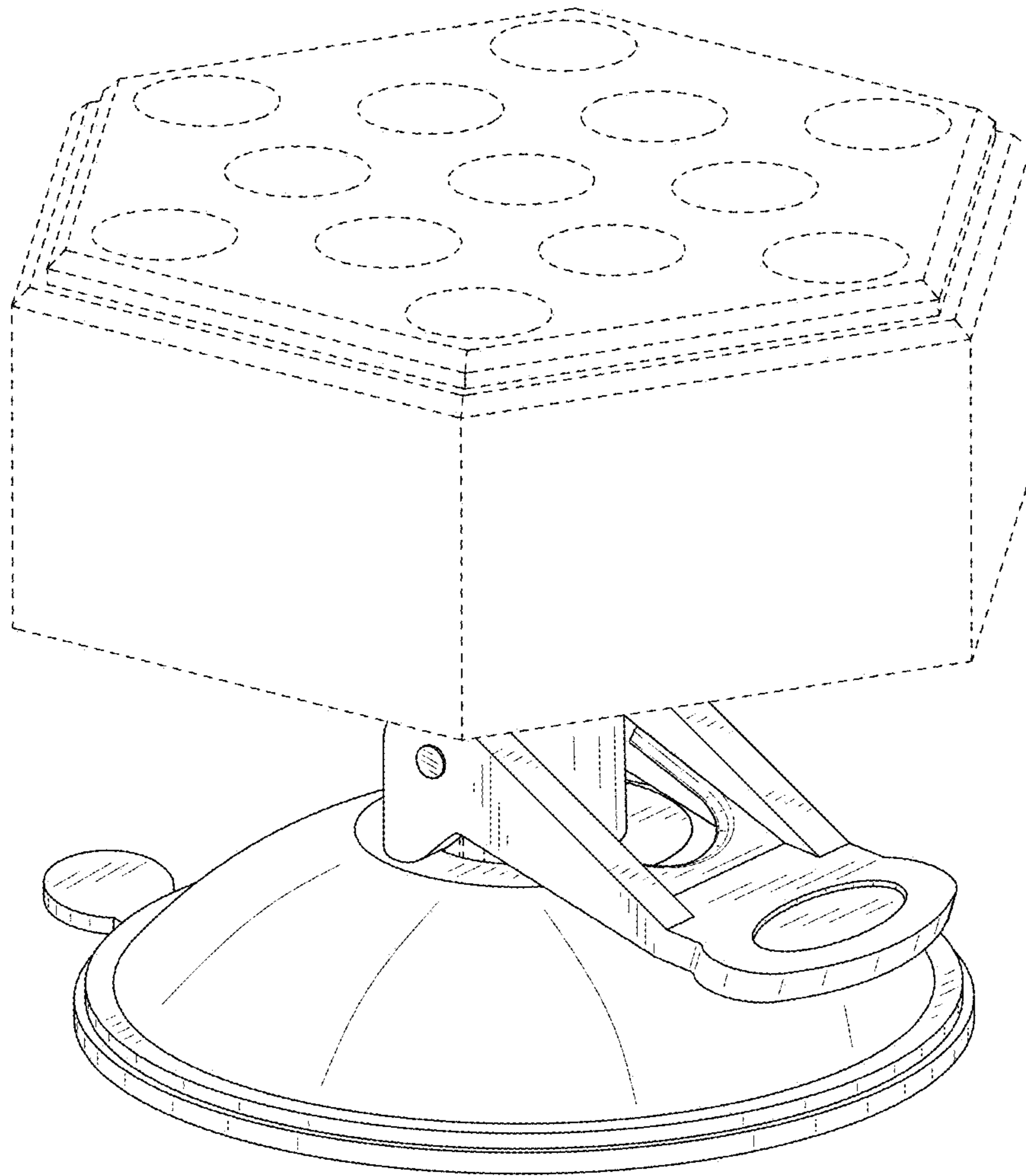


FIG. 10

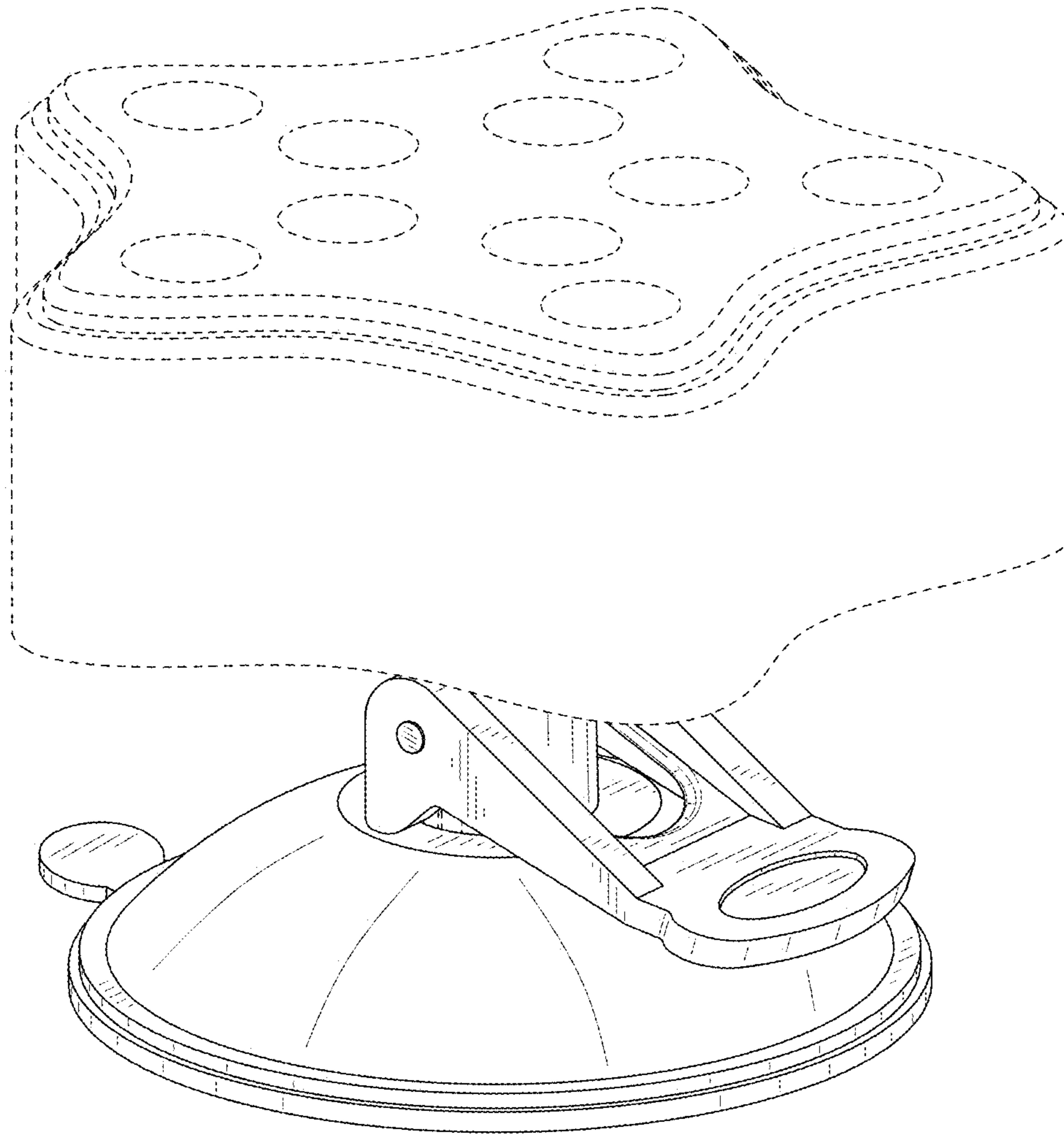


FIG. 11

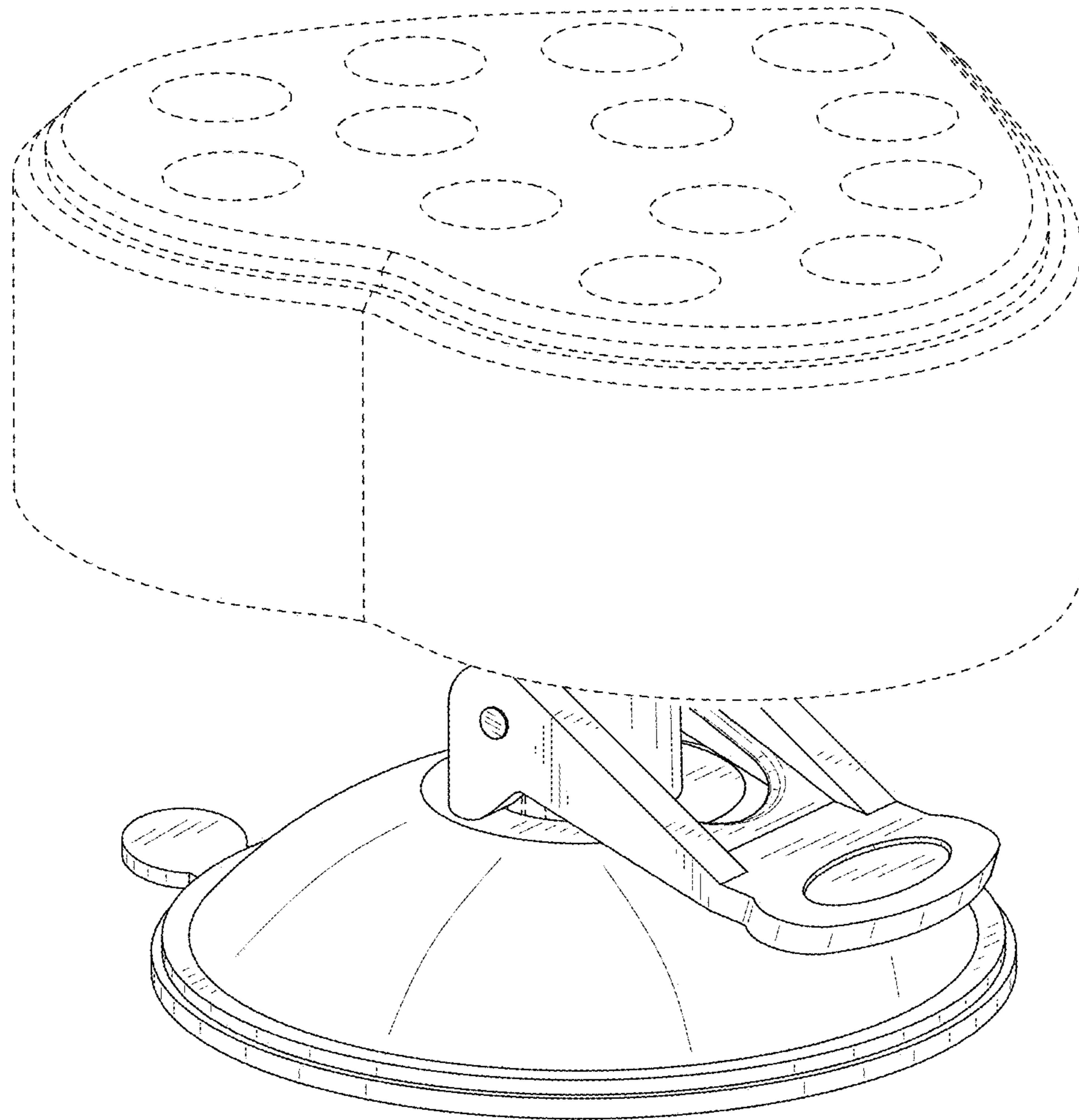


FIG. 12

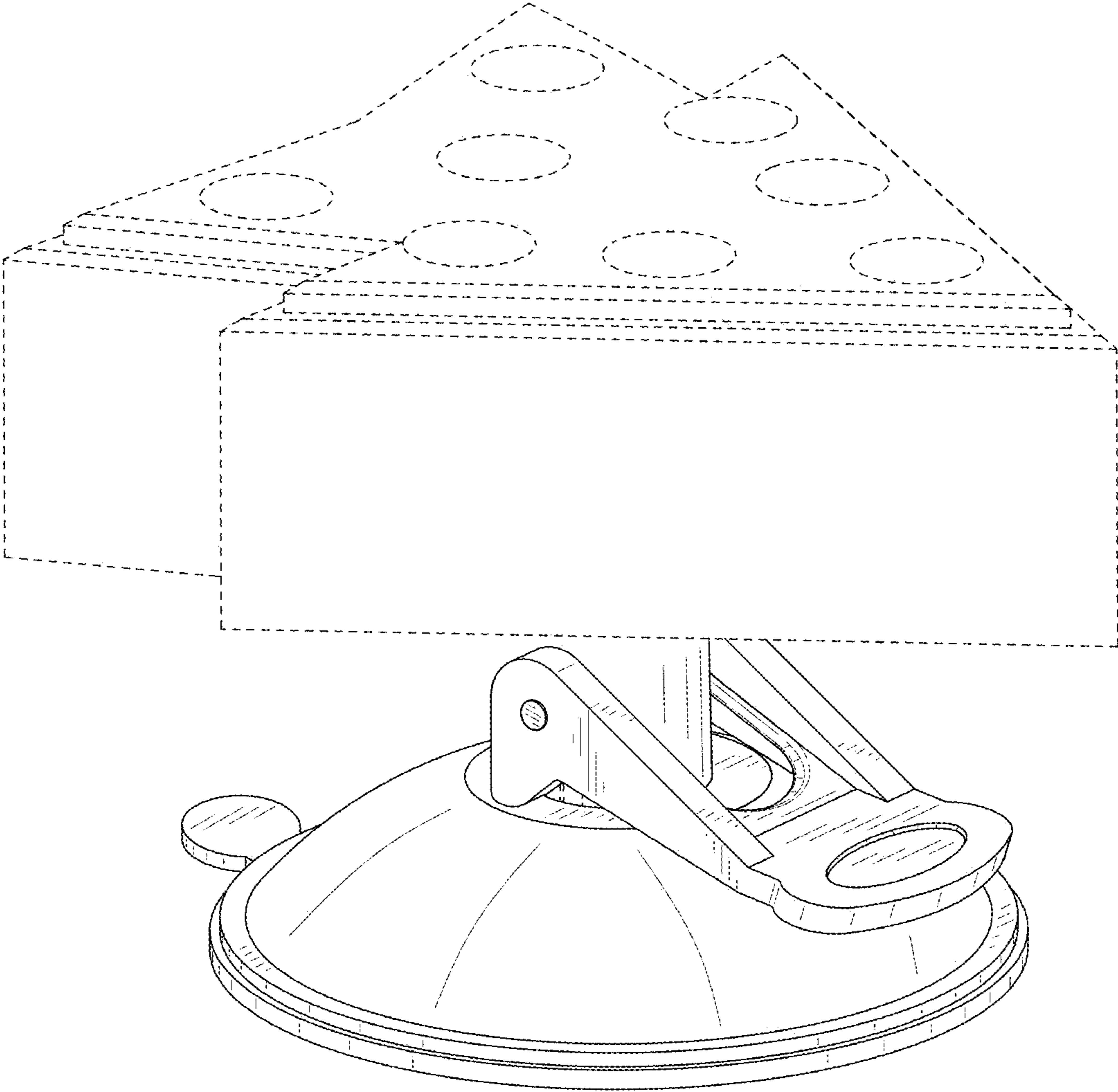


FIG. 13

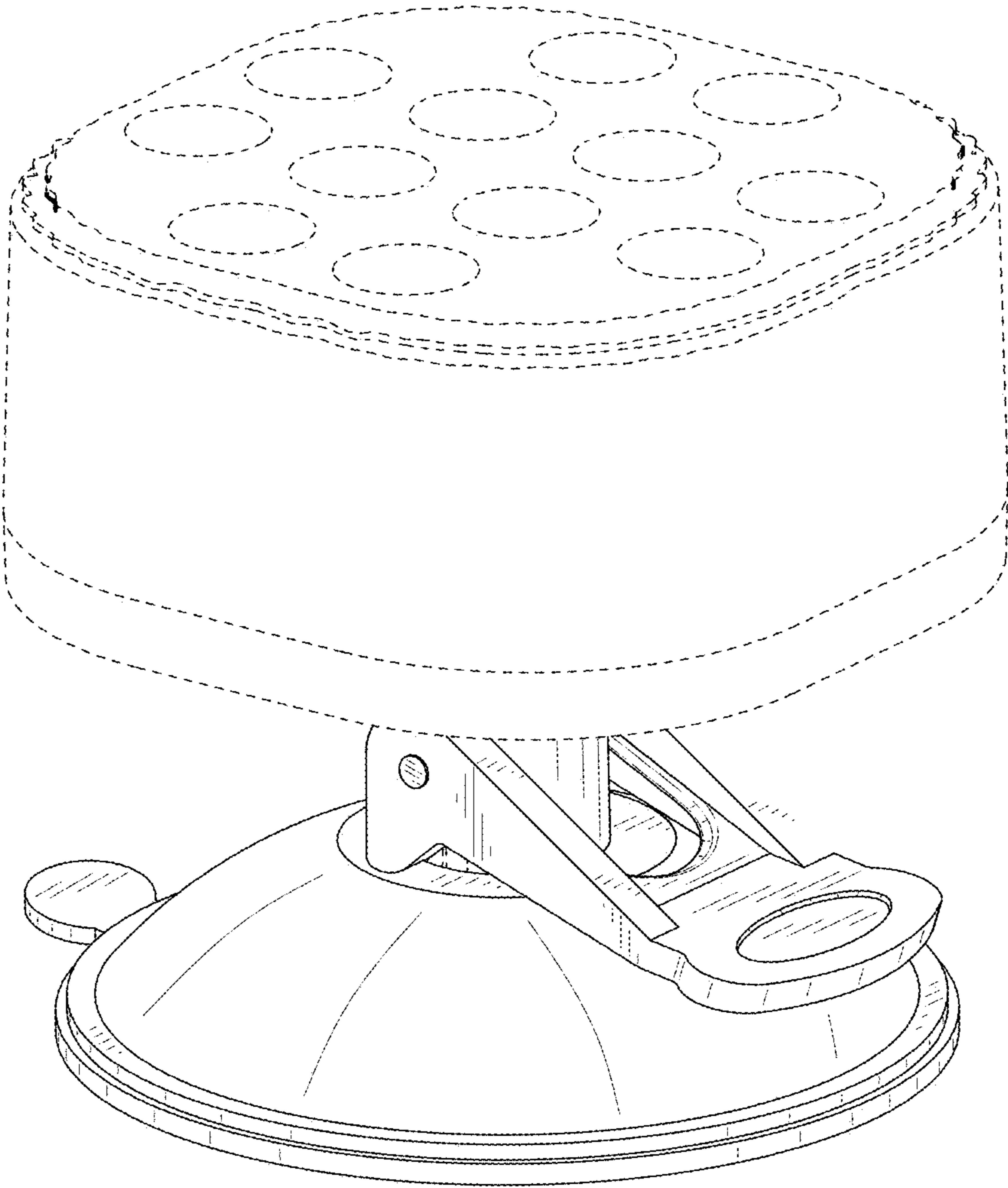


FIG. 14

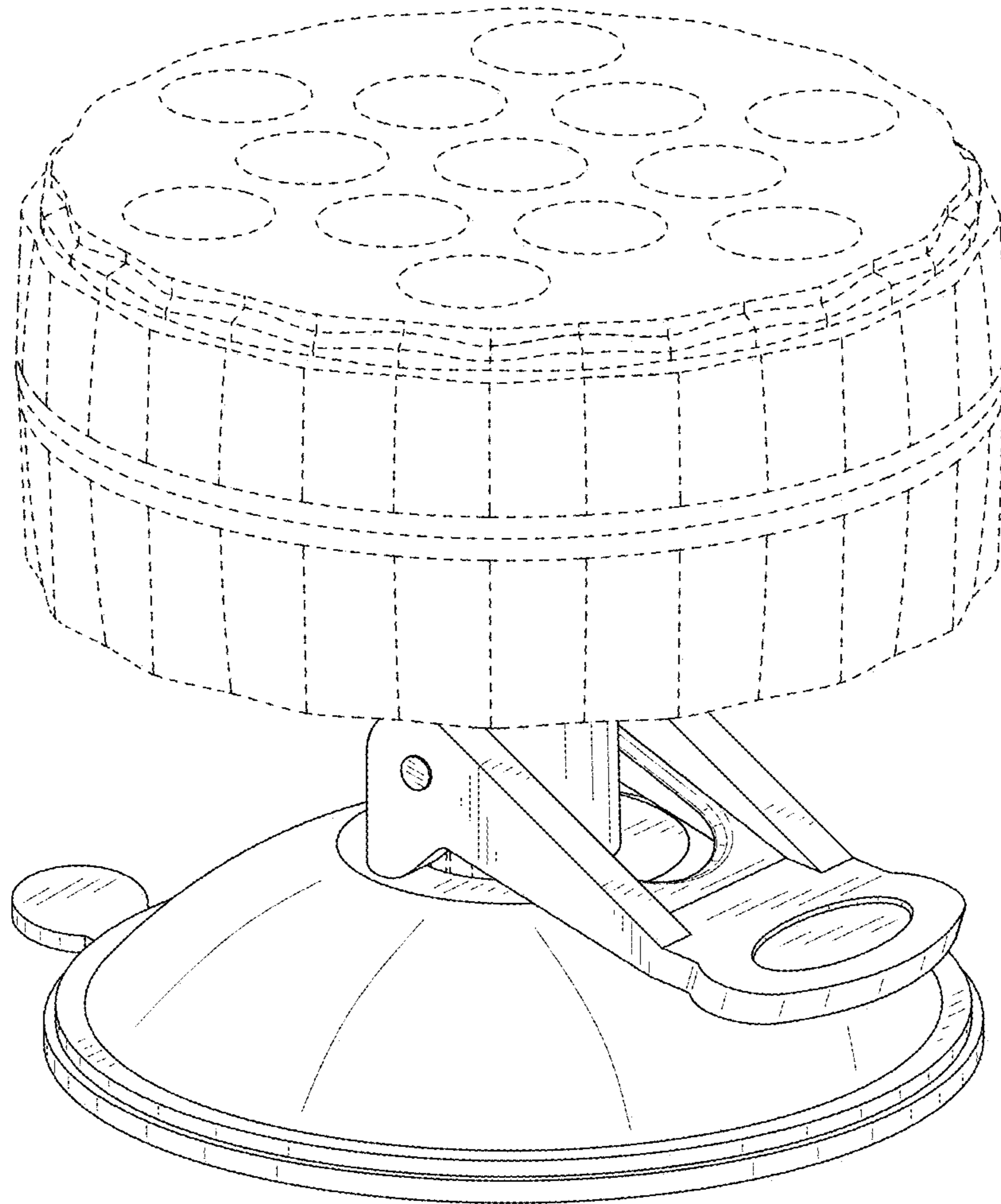


FIG. 15