



US00D981028S

(12) **United States Design Patent** (10) **Patent No.:** **US D981,028 S**  
**Maitini** (45) **Date of Patent:** **\*\* Mar. 14, 2023**

(54) **LIGHT PANEL**

(71) Applicant: **CIFRALLUMINIO S.R.L.**, Brescia (IT)

(72) Inventor: **Roberto Maitini**, Brescia (IT)

(73) Assignee: **CIFRALLUMINIO S.R.L.**, Localita' Sant'eufemia (IT)

(\*\*) Term: **15 Years**

(21) Appl. No.: **29/709,202**

(22) Filed: **Oct. 11, 2019**

(51) **LOC (14) Cl.** ..... **26-05**

(52) **U.S. Cl.**  
USPC ..... **D26/120; D26/118**

(58) **Field of Classification Search**  
USPC ..... D26/24, 72, 76, 81, 83, 88, 109, 118, D26/119, 120, 136; D6/332

CPC ..... F21S 8/00; F21S 8/04; F21S 8/06; F21S 8/036; F21S 8/043; F21S 8/046; F21V 21/00; F21V 21/02; F21V 21/005; F21V 21/116; F21V 3/00; F21V 3/02; F21Y 2115/10; F21Y 2105/00; F21Y 2105/16

See application file for complete search history.

(56) **References Cited**

**U.S. PATENT DOCUMENTS**

D497,217 S *	10/2004	Thornton, Jr.	.....	D26/76
D511,852 S *	11/2005	Benensohn	.....	D26/76
D536,468 S *	2/2007	Crosby	.....	D26/84
D548,386 S *	8/2007	McDowell	.....	D26/118
D548,387 S *	8/2007	McDowell	.....	D26/118
D595,450 S *	6/2009	Ko	.....	D26/120
D602,187 S *	10/2009	Fabbri	.....	D26/120
D608,932 S *	1/2010	Castelli	.....	D26/76
D608,933 S *	1/2010	Castelli	.....	D26/76
D614,792 S *	4/2010	Fabbri	.....	D26/74
D632,007 S *	2/2011	Kim	.....	D26/120
D632,008 S *	2/2011	Kim	.....	D26/120

D644,374 S *	8/2011	Ferrier	.....	D26/118
D645,193 S *	9/2011	Chung	.....	D26/75
D649,679 S *	11/2011	Germain	.....	D26/91
D679,036 S *	3/2013	Inoue	.....	D26/24
D687,592 S *	8/2013	Park	.....	D26/118
D700,724 S *	3/2014	Waldmann	.....	D26/24
D711,584 S *	8/2014	Parker	.....	D26/120
D749,257 S *	2/2016	Arndt	.....	D26/76
D791,383 S *	7/2017	Yu	.....	D26/76
D800,368 S *	10/2017	Czech	.....	D26/76

(Continued)

**OTHER PUBLICATIONS**

Backlight+OneA, Lites on West, obtained from Instagram, Jun. 18, 2019, 1 pg.

(Continued)

*Primary Examiner* — Wan Laymon

*Assistant Examiner* — Clint A Samuel

(74) *Attorney, Agent, or Firm* — Merchant & Gould P.C.

(57) **CLAIM**

The ornamental design for a light panel, as shown and described.

**DESCRIPTION**

FIG. 1 is a perspective view of a light panel according to the principles of the present invention;

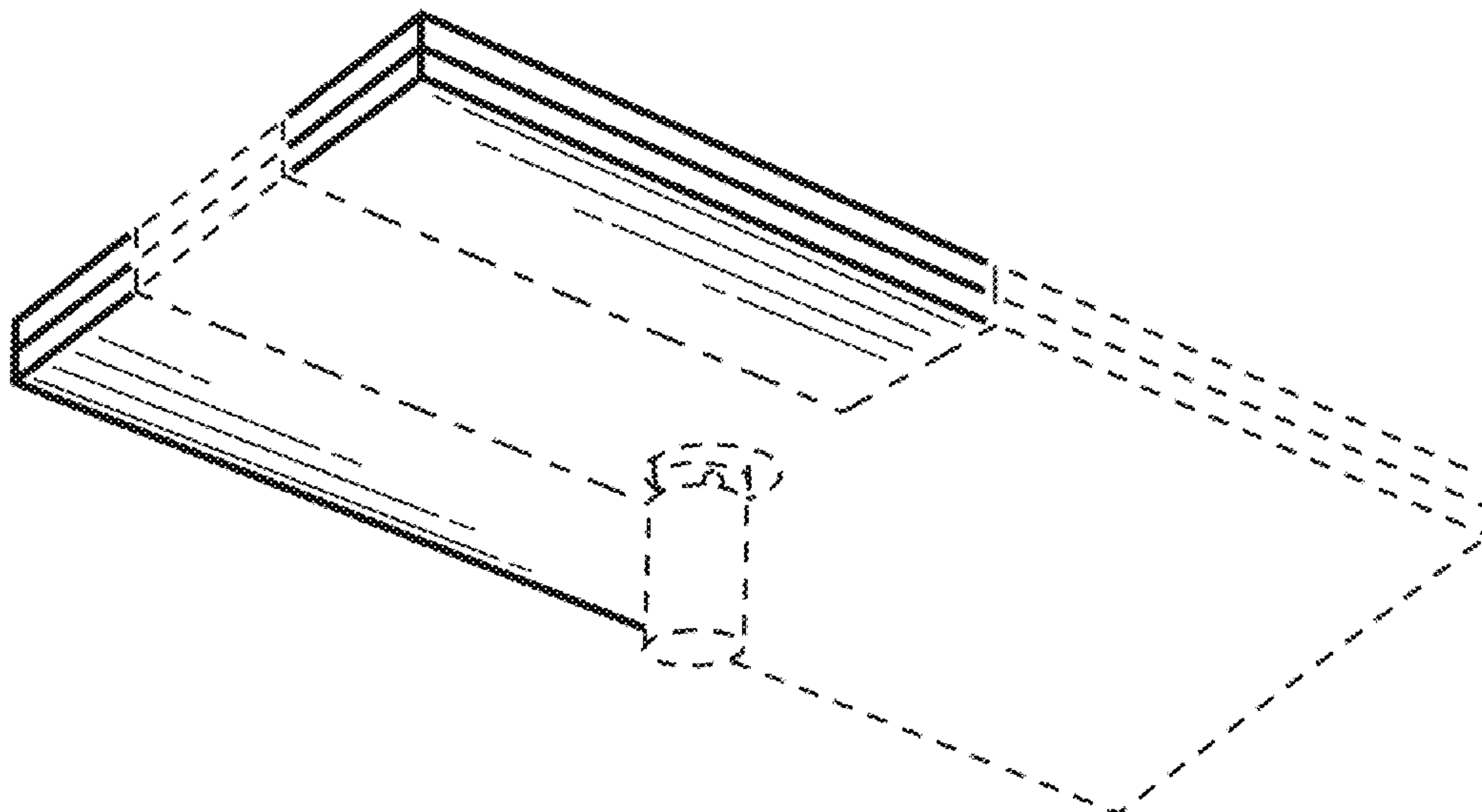
FIG. 2 is a front elevational view thereof;

FIG. 3 is a top plan view thereof, a bottom view not being shown as it is a mirror image of the top plan view; and, FIG. 4 is a left side elevational view thereof, a right side elevational view not being shown as it is a mirror image of the left side elevational view.

The portions shown in dash-dash broken lines including a spot light form no part of the claimed design.

The portions shown in dot-dash-dot lines represent borderlines between claimed and unclaimed subject matter.

**1 Claim, 4 Drawing Sheets**



(56)

References Cited

U.S. PATENT DOCUMENTS

D802,819 S \* 11/2017 Czech ..... D26/76  
 D804,085 S \* 11/2017 Leadford ..... D26/120  
 D819,860 S \* 6/2018 Clark ..... D26/76  
 D836,827 S \* 12/2018 Trang ..... D26/118  
 D837,435 S \* 1/2019 Richardson ..... D26/82  
 D857,979 S \* 8/2019 Schweid ..... D26/120  
 D857,980 S \* 8/2019 Schweid ..... D26/120  
 D860,484 S \* 9/2019 Wang ..... D26/24  
 D866,844 S \* 11/2019 Anastasiades ..... D26/88  
 D870,357 S \* 12/2019 Hu ..... D26/120  
 D880,043 S \* 3/2020 Guerra ..... D26/76  
 D889,732 S \* 7/2020 Silver ..... D26/113  
 D892,389 S \* 8/2020 Silver ..... D26/90  
 D895,174 S \* 9/2020 Rodinger ..... D26/24  
 D901,059 S \* 11/2020 Su ..... D26/72  
 D903,179 S \* 11/2020 Pulsifer ..... D26/81  
 D904,672 S \* 12/2020 Verdi ..... D26/118  
 D904,673 S \* 12/2020 Verdi ..... D26/118  
 D907,283 S \* 1/2021 Park ..... D26/120  
 11,204,461 B2 \* 12/2021 Kim ..... F21V 23/0478  
 D945,691 S \* 3/2022 Zhou ..... D26/83  
 D947,438 S \* 3/2022 Zhang ..... D26/76  
 D965,209 S \* 9/2022 Zhou ..... D26/118  
 11,441,746 B2 \* 9/2022 Bai ..... F21V 21/047  
 2008/0291694 A1 \* 11/2008 Sakai ..... G02B 6/0028  
 362/616

2012/0081923 A1 \* 4/2012 Li ..... F21V 21/096  
 362/612  
 2012/0257397 A1 \* 10/2012 Lee ..... F21V 15/01  
 362/374  
 2013/0063973 A1 \* 3/2013 Mahowald ..... G09F 13/20  
 362/608  
 2013/0107171 A1 \* 5/2013 Lee ..... G02B 6/0091  
 349/67  
 2016/0320038 A1 \* 11/2016 Myers ..... F21K 9/275  
 2017/0097147 A1 \* 4/2017 Myers ..... G02B 6/0088  
 2018/0045880 A1 \* 2/2018 Boulanger ..... G02B 6/0051  
 2018/0187838 A1 \* 7/2018 Yu ..... F21V 3/00  
 2018/0266668 A1 \* 9/2018 Myers ..... F21V 21/005  
 2019/0063729 A1 \* 2/2019 Vang ..... F21V 11/14  
 2019/0120463 A1 \* 4/2019 Lin ..... G02B 6/0096  
 2020/0064533 A1 \* 2/2020 Miyazaki ..... F21V 15/01  
 2020/0233266 A1 \* 7/2020 Jiang ..... G02F 1/133608  
 2021/0048178 A1 \* 2/2021 Halliwell ..... F21S 8/04  
 2021/0080099 A1 \* 3/2021 Gielen ..... A47G 1/0622  
 2021/0356087 A1 \* 11/2021 Watanabe ..... H01L 33/62

OTHER PUBLICATIONS

Cifralluminio display at "LEducation" tradeshow, New York, Mar. 12-13, 2019, 6 pgs.  
 Cifralluminio display at "Salone del Mobile" tradeshow, Milano, Italy, Apr. 9-14, 2019, 10 pgs.

\* cited by examiner

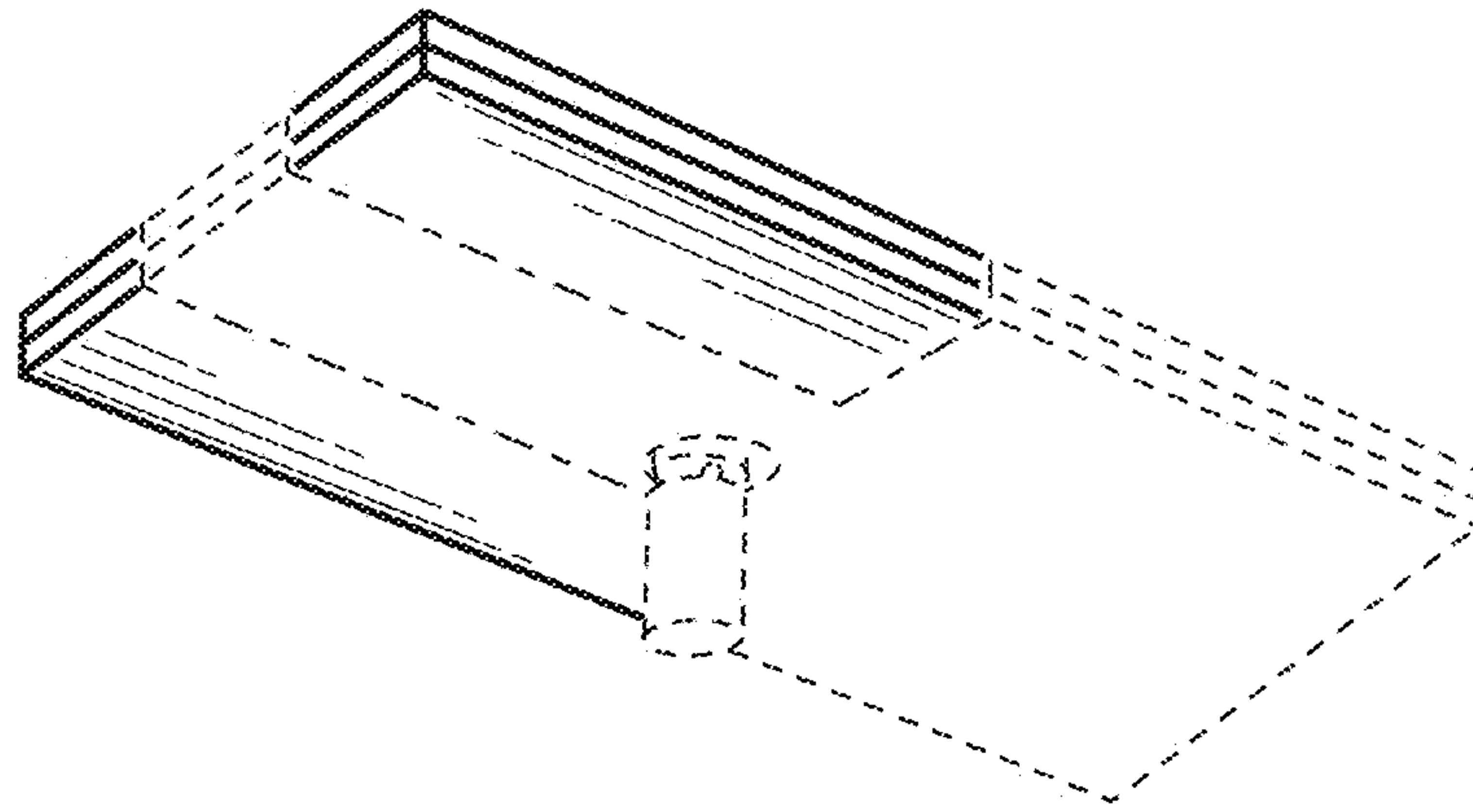


FIG. 1

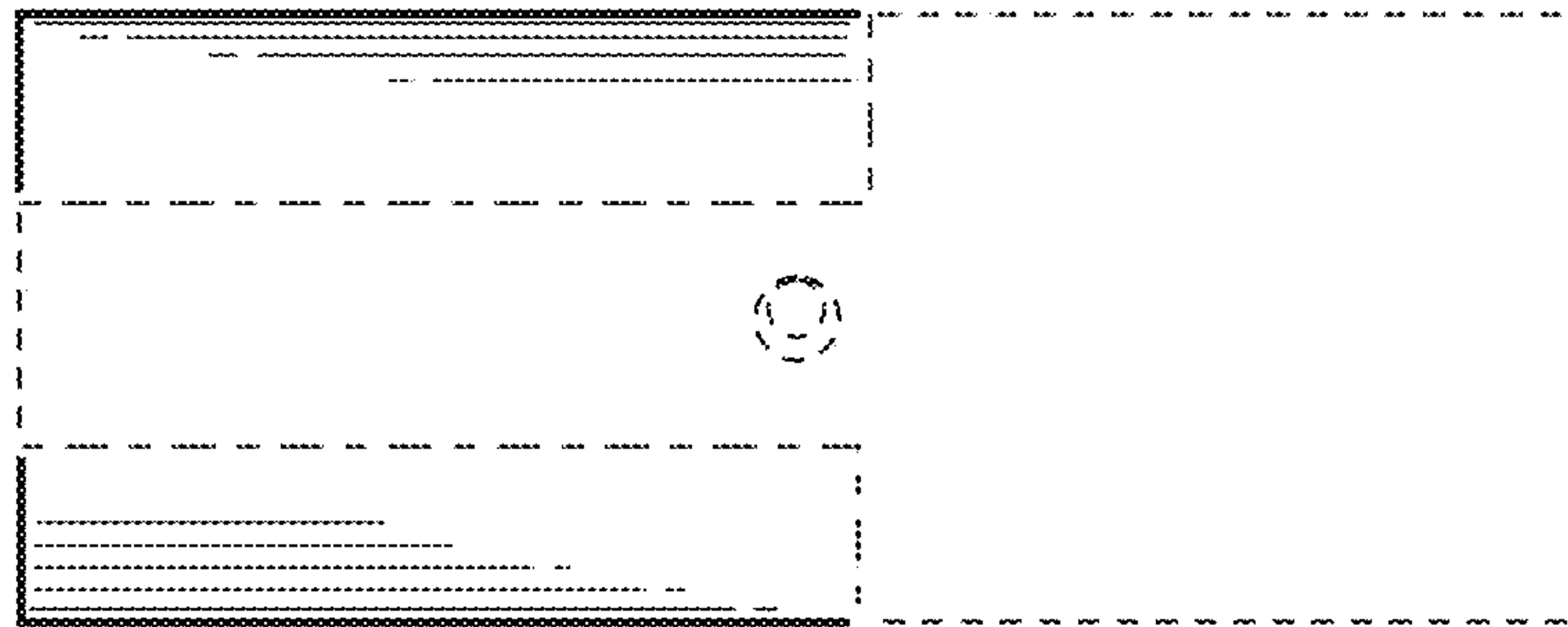


FIG. 2

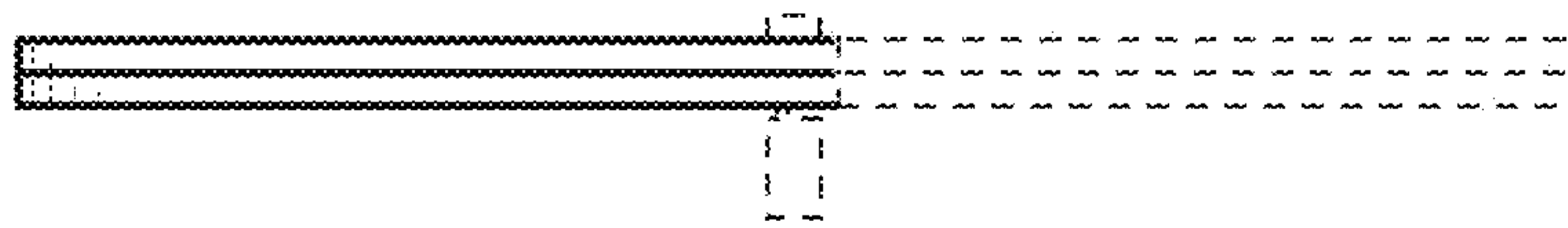


FIG. 3

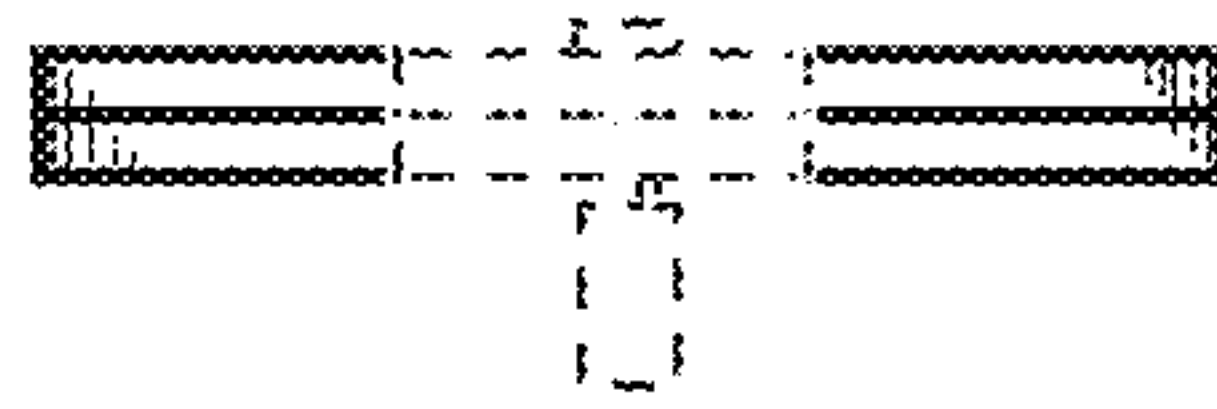


FIG. 4