



US00D981026S

(12) **United States Design Patent** (10) **Patent No.:** **US D981,026 S**
Li (45) **Date of Patent:** **** Mar. 14, 2023**

(54) **LED WALL LIGHT**

(71) Applicant: **Jinxiao Li**, Ningde (CN)

(72) Inventor: **Jinxiao Li**, Ningde (CN)

(**) Term: **15 Years**

(21) Appl. No.: **29/849,739**

(22) Filed: **Aug. 12, 2022**

(51) **LOC (14) Cl.** **25-05**

(52) **U.S. Cl.**
USPC **D26/87; D26/63**

(58) **Field of Classification Search**
USPC D10/211, 214; D26/61, 63, 72, 85, 87,
D26/93, 106
CPC F21S 8/02; F21S 8/024; F21S 8/03; F21S
8/003; F21S 8/036; F21S 8/04; F21S
8/043; F21S 6/003; F21S 6/006
See application file for complete search history.

(56) **References Cited**

U.S. PATENT DOCUMENTS

- D182,794 S * 5/1958 Eames D14/214
- D315,610 S * 3/1991 Joosten D26/24
- 5,806,956 A * 9/1998 Hyun-Jo F21V 17/02
362/385
- 6,786,622 B1 * 9/2004 Rice F21V 21/15
362/362
- D590,085 S * 4/2009 Irvine D26/63
- D606,974 S * 12/2009 Cho D14/211
- D645,183 S * 9/2011 Cucinella D26/63
- D664,122 S * 7/2012 Cho D14/215
- D680,097 S * 4/2013 Davies D14/215
- D727,295 S * 4/2015 Gan D14/214
- D729,201 S * 5/2015 Park D14/214
- D733,957 S * 7/2015 Tragatschnig D26/63
- D800,942 S 10/2017 Poyrah et al.
- D845,534 S * 4/2019 Van Duysen D26/87
- D854,729 S 7/2019 Yang
- D856,976 S * 8/2019 Kang D14/215

- D874,432 S * 2/2020 Savage D14/214
- D973,256 S * 12/2022 Lissoni D26/87
- 2004/0125606 A1 * 7/2004 Hwang F21V 15/01
362/362

FOREIGN PATENT DOCUMENTS

- CN RGN_307626788 * 10/2022
- EM RGN_-_009142532- * 8/2022
0001

OTHER PUBLICATIONS

13 wall Ceilin (available online) Retrieved from the internet Dec. 30, 2022 from URL: <https://www.1-light.eu/en/product/12107kabw>.*
LED_Wall_Mounted_Reading_Lights (available online) Retrieved from the internet Dec. 30, 2022 from UR: https://www.amazon.com/360°Rotate-Magentic-Dimmable-Rechargeable-Brightness/dp/B0BFL8CXDY/ref=psdc_495224_t5_B0BG35LYV8?th=1.*

* cited by examiner

Primary Examiner — Richard Kearney
(74) *Attorney, Agent, or Firm* — Jeenam Park

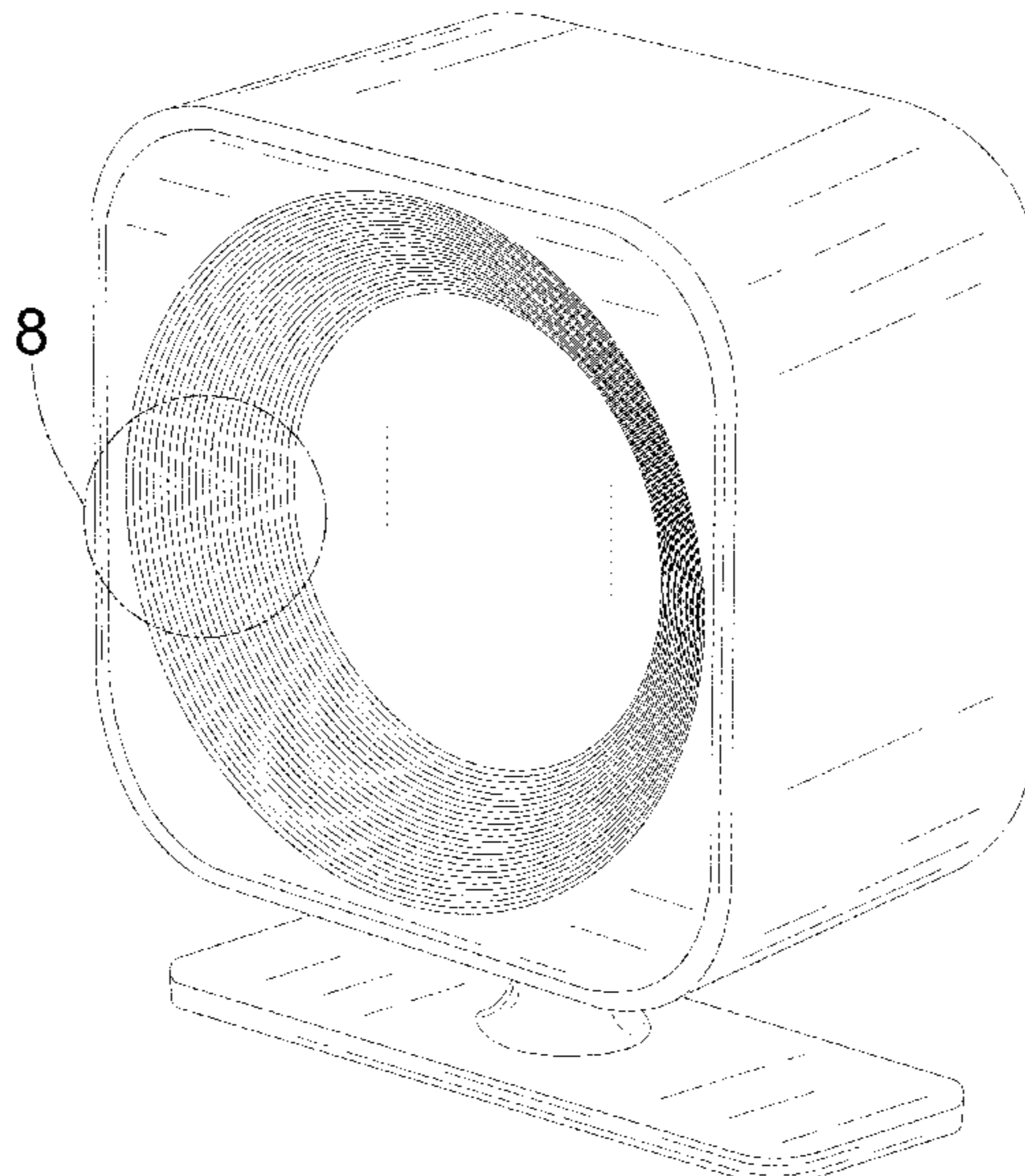
(57) **CLAIM**

The ornamental design for an LED wall light, as shown and described.

DESCRIPTION

FIG. 1 is a perspective view of an LED wall light, showing my new design;
FIG. 2 is a front view thereof;
FIG. 3 is a rear view thereof;
FIG. 4 is a left side view thereof;
FIG. 5 is a right side view thereof;
FIG. 6 is a top plan view thereof;
FIG. 7 is a bottom plan view thereof; and,
FIG. 8 is an enlarged view of portion of FIG. 1 thereof.
The broken lines shown in the drawings illustrate portions of the LED wall light that form no part of the claimed design.

1 Claim, 8 Drawing Sheets



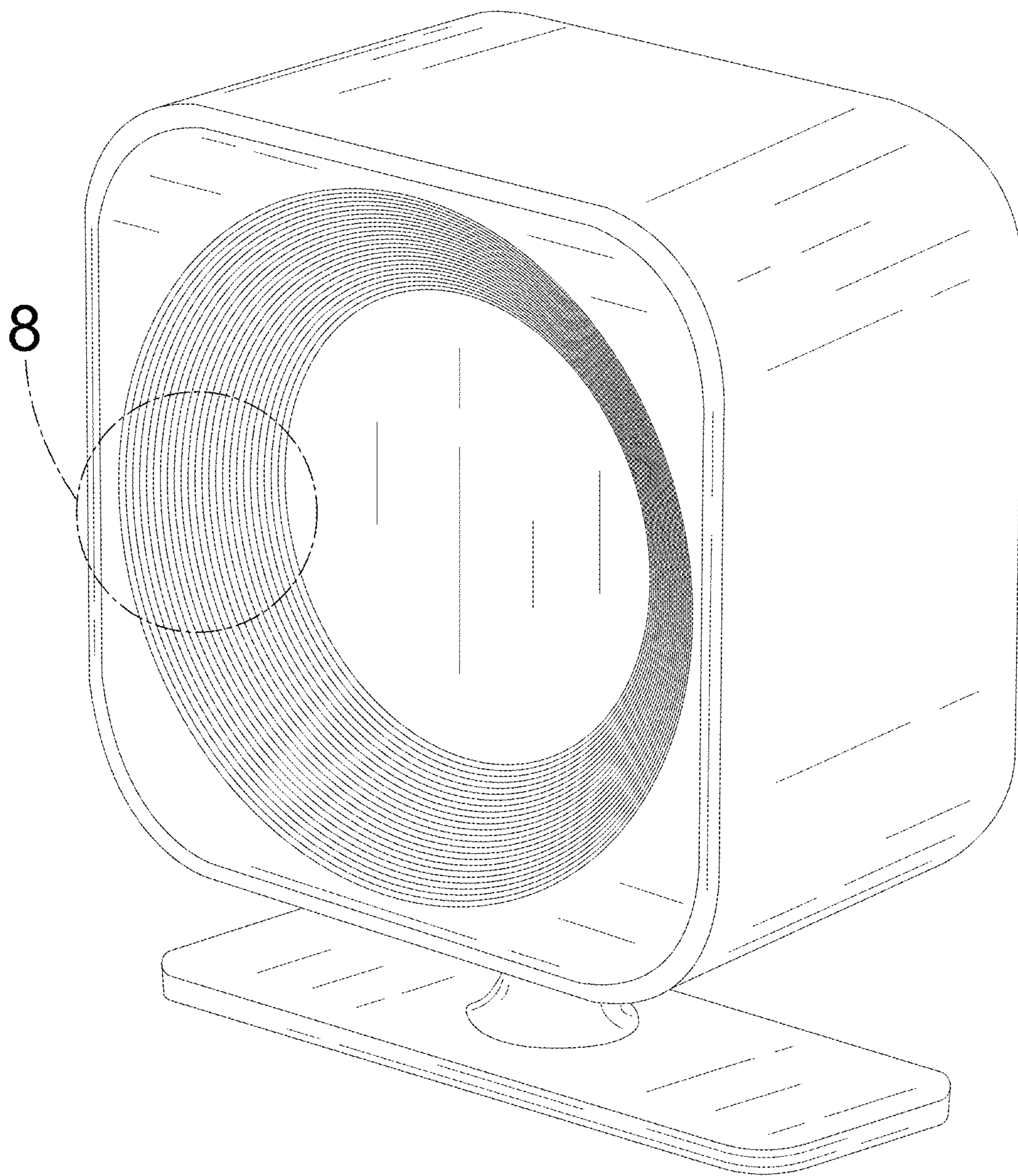


FIG. 1

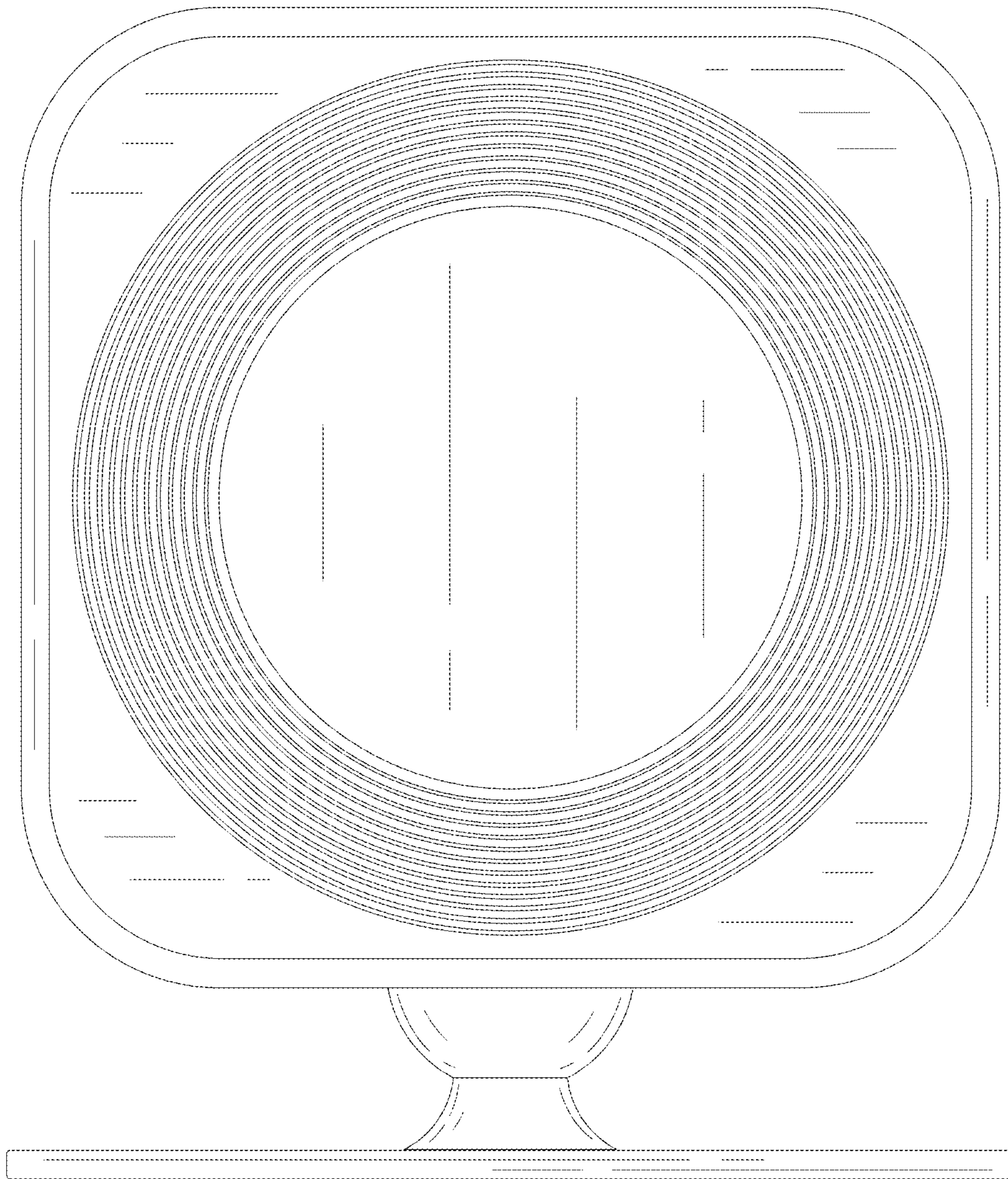


FIG. 2

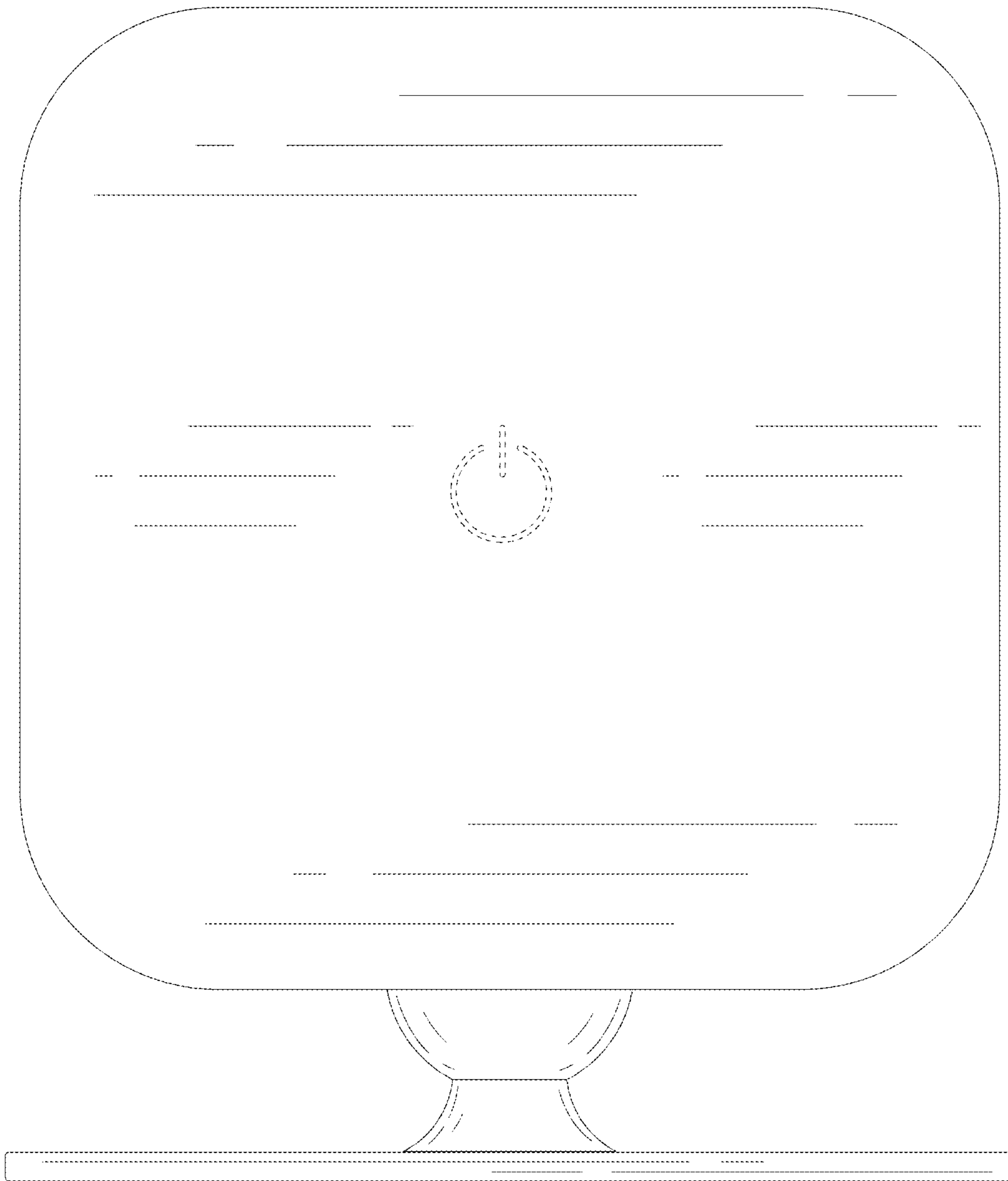


FIG. 3

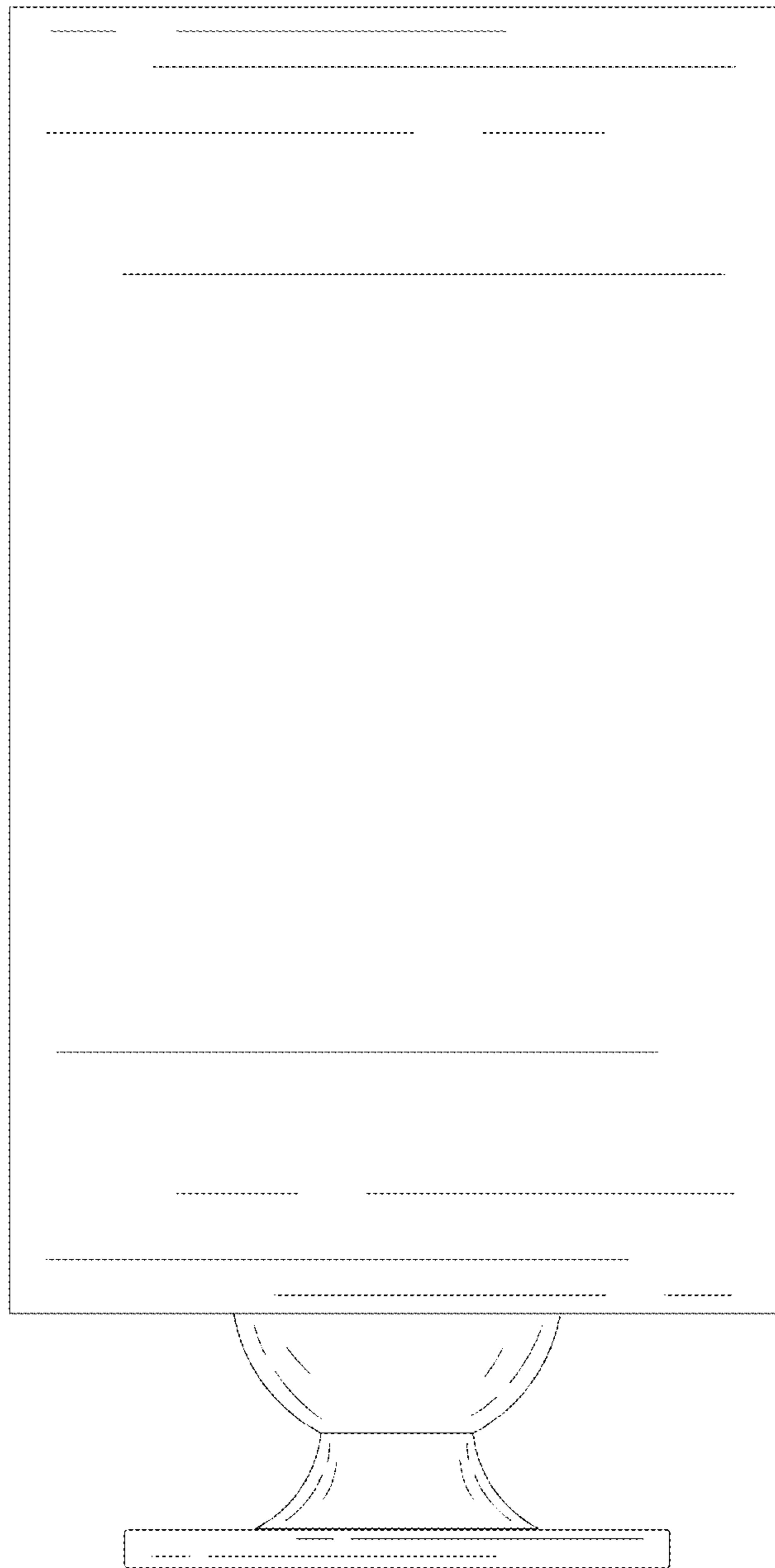


FIG. 4

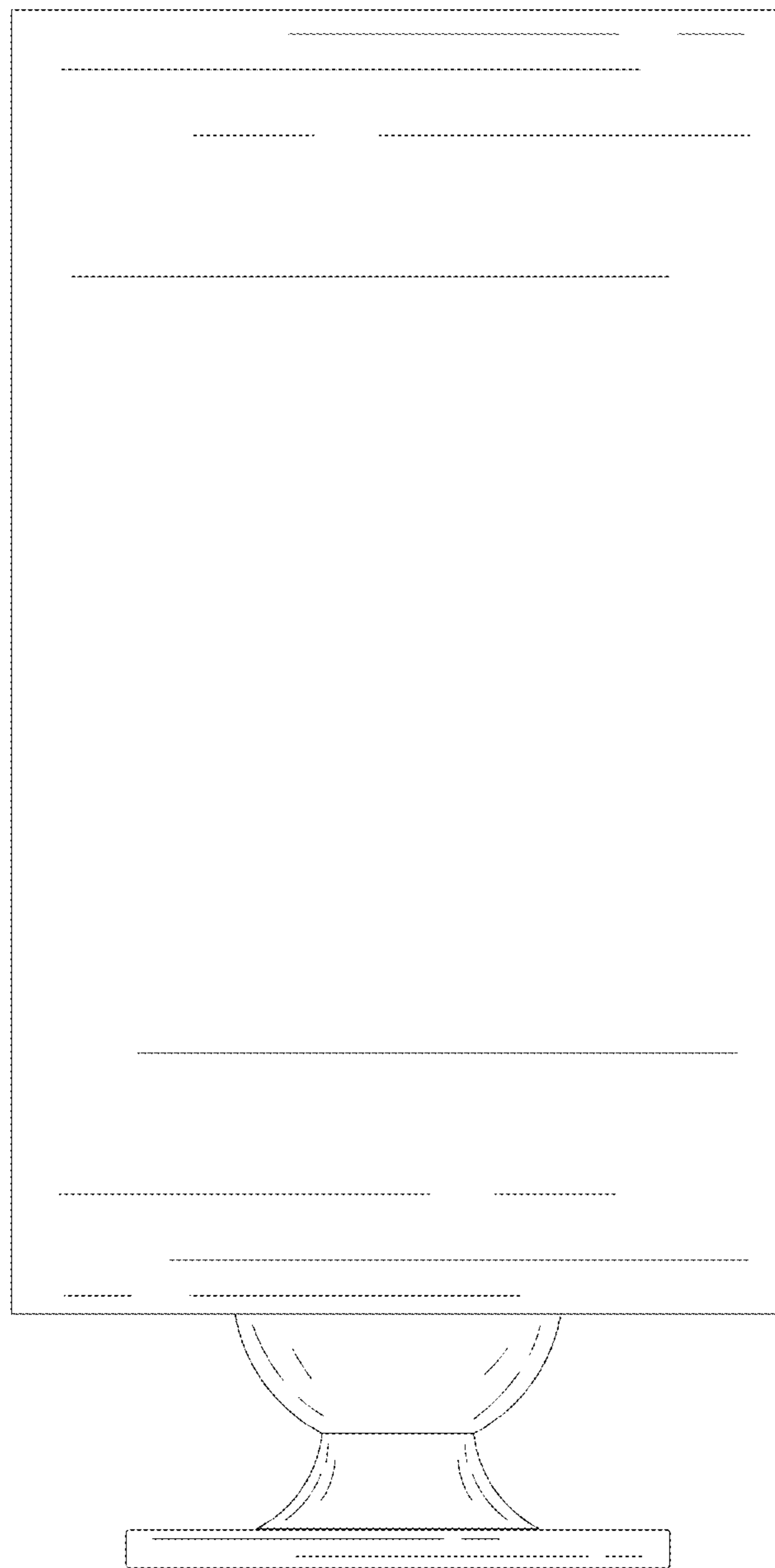


FIG. 5

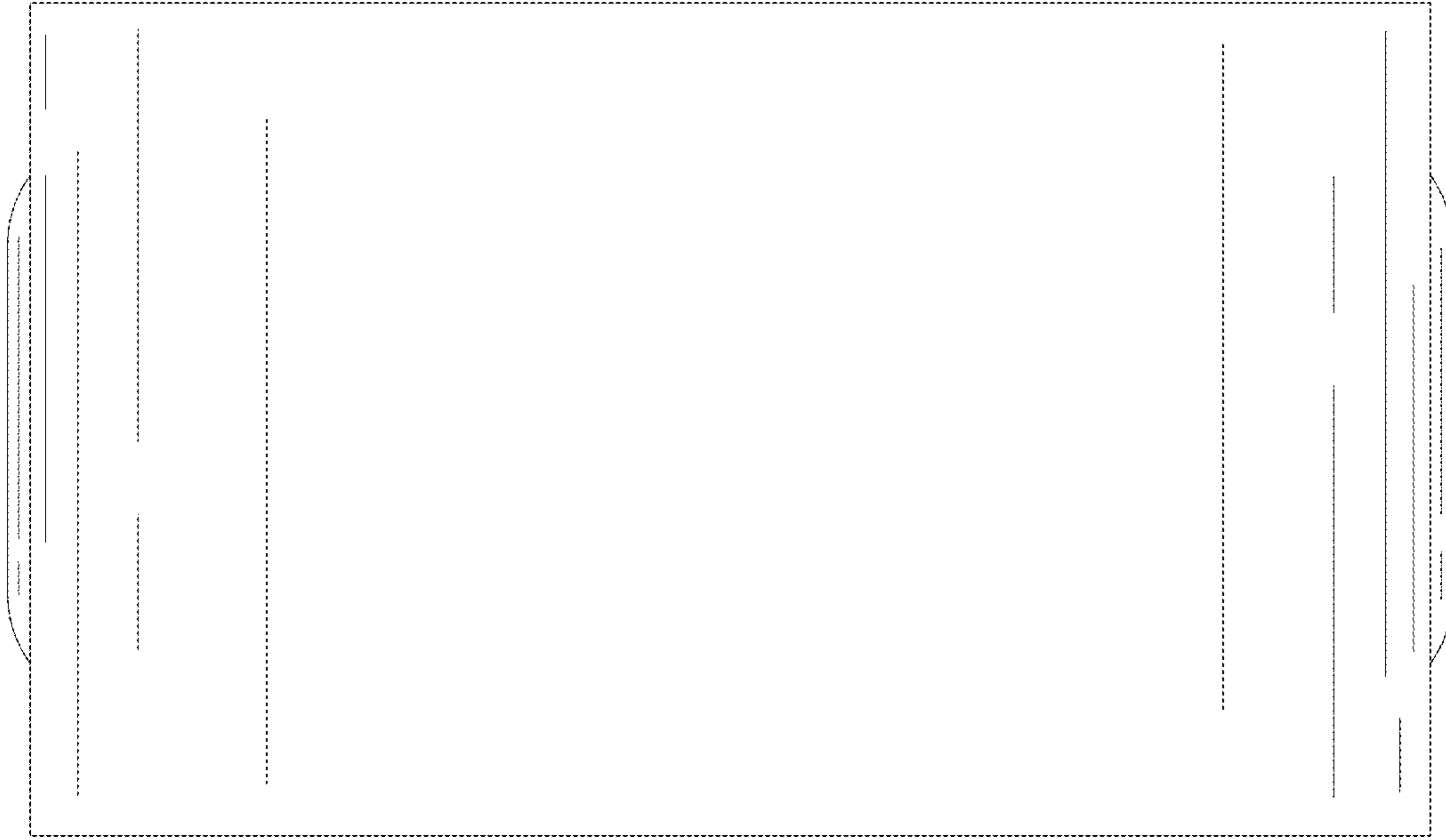


FIG. 6

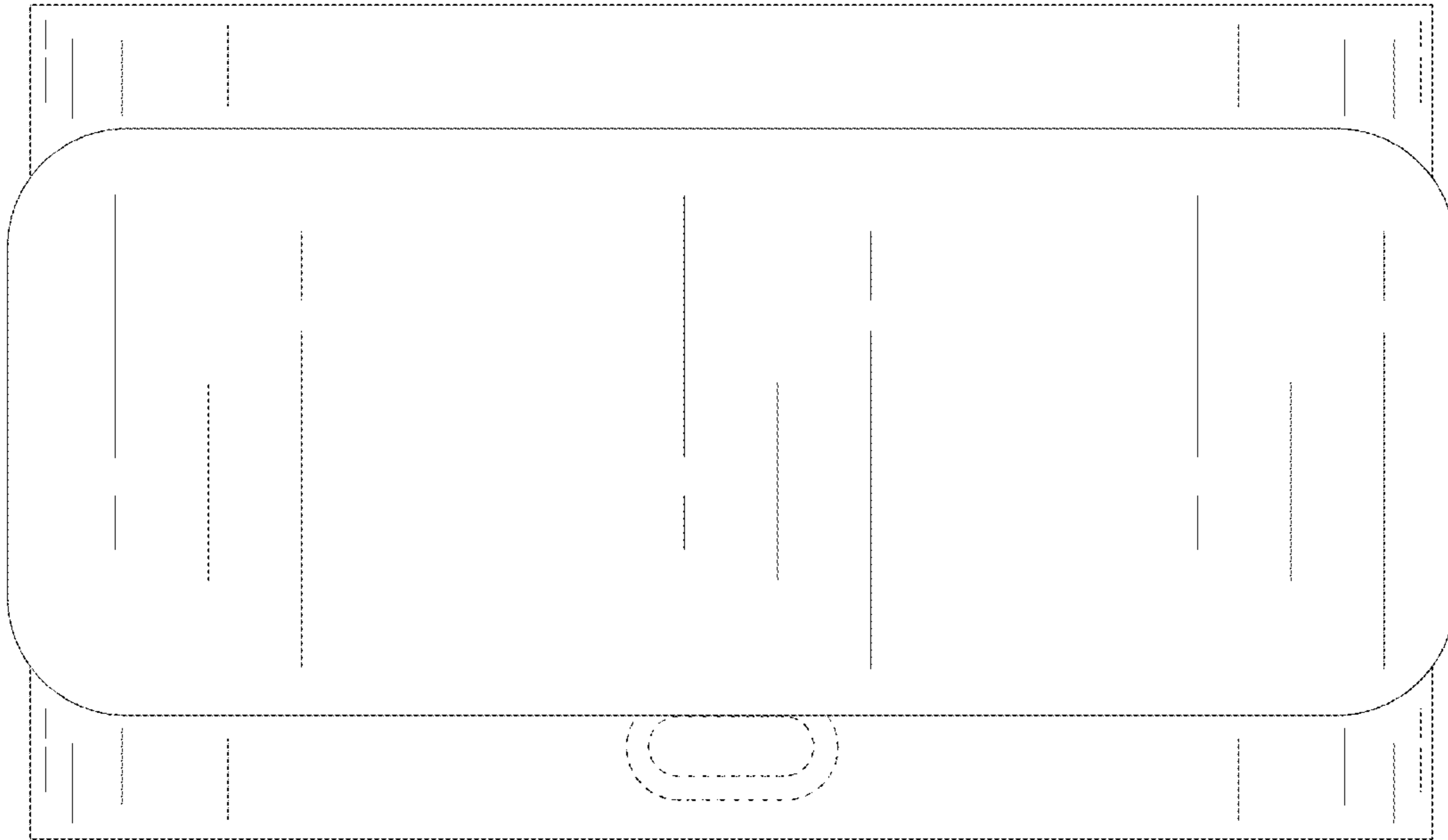


FIG. 7

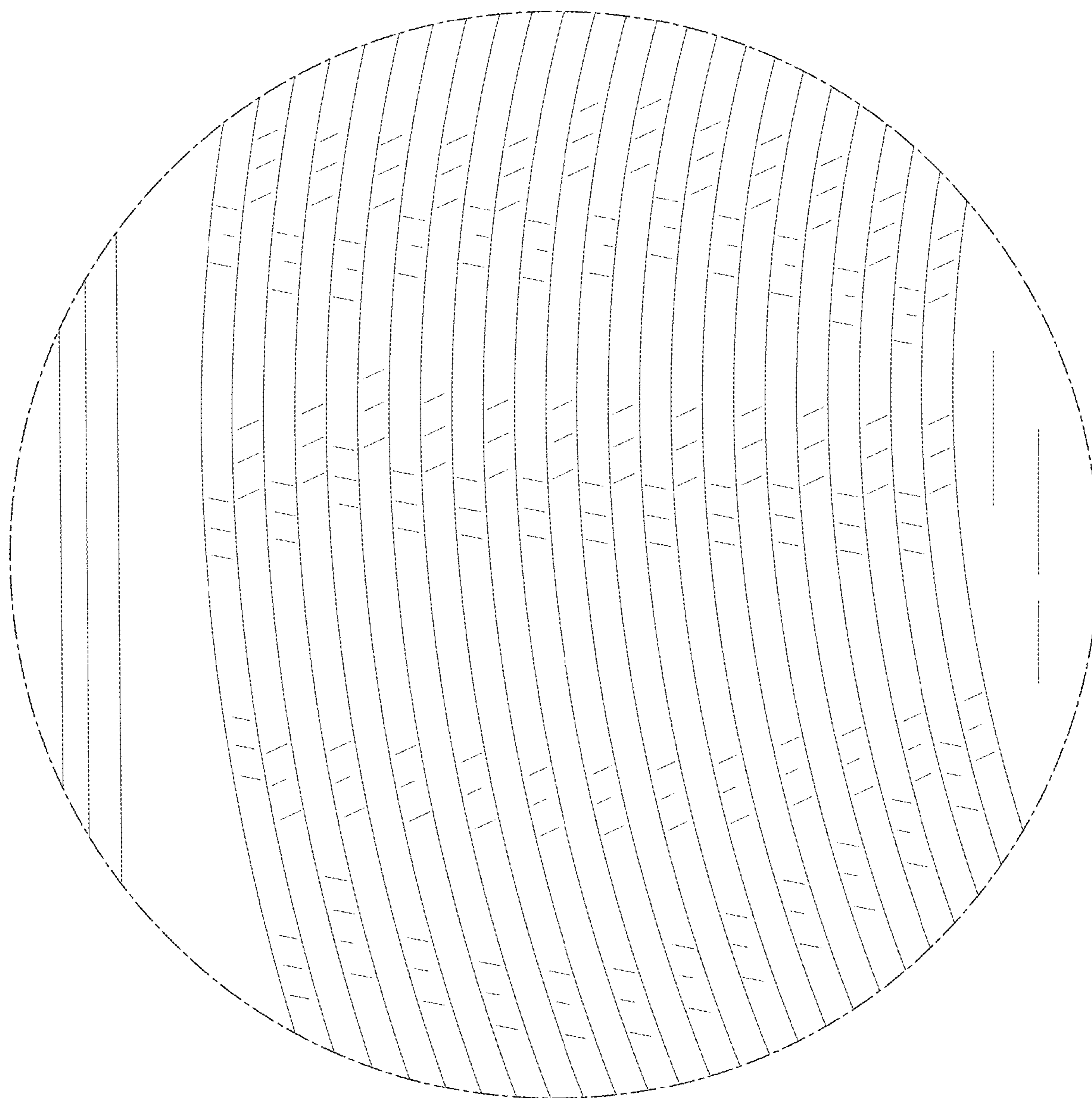


FIG. 8