



US00D981025S

(12) **United States Design Patent**
Zhou

(10) **Patent No.:** **US D981,025 S**
(45) **Date of Patent:** **** Mar. 14, 2023**

- (54) **SOLAR WALL LIGHT**
- (71) Applicant: **Xinsheng Zhou**, Zhumadian (CN)
- (72) Inventor: **Xinsheng Zhou**, Zhumadian (CN)
- (**) Term: **15 Years**
- (21) Appl. No.: **29/842,238**
- (22) Filed: **Jun. 10, 2022**
- (51) **LOC (14) Cl.** **26-05**
- (52) **U.S. Cl.**
USPC **D26/72; D26/85**
- (58) **Field of Classification Search**
USPC D26/67, 72, 73, 85-92
CPC F21S 8/03; F21S 8/033; F21S 8/036; F21S
9/03; F21S 9/037; F21W 2131/107;
F21W 2131/109; F21W 2111/027
See application file for complete search history.

D945,677 S *	3/2022	Xiao	D26/72
D950,828 S *	5/2022	Kong	D26/85
D961,145 S *	8/2022	Wang	D26/85

FOREIGN PATENT DOCUMENTS

CN	304935477	*	12/2018
GB	6047517	*	11/2018

OTHER PUBLICATIONS

Solar Light Outdoor. Available Mar. 12, 2021. Searched on Aug. 23, 2022. [<https://www.amazon.com/Outdoor-Motion-Sensor-Garden-Courtyard/dp/B08YRYDMRV>] (Year: 2021).*

(Continued)

Primary Examiner — Wendy L Arminio
Assistant Examiner — Maheen Khurshid
(74) *Attorney, Agent, or Firm* — Jeenam Park

(57) **CLAIM**

The ornamental design for a solar wall light, as shown and described.

(56) **References Cited**

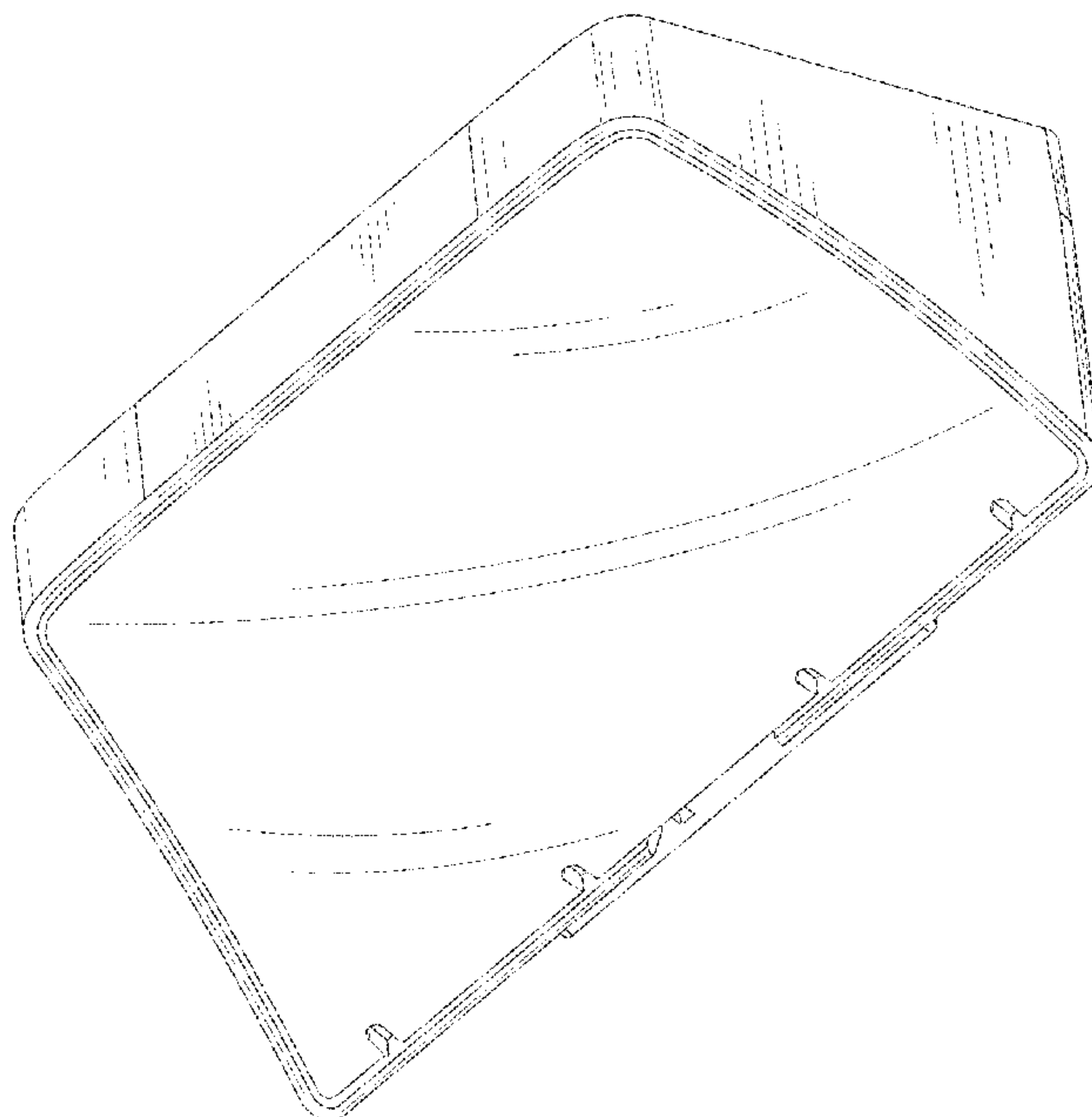
U.S. PATENT DOCUMENTS

D228,667 S *	10/1973	Anderson	D26/71
5,055,984 A *	10/1991	Hung	F21S 8/081 362/183
D336,964 S *	6/1993	Janssen	D26/85
D626,270 S *	10/2010	Waldmann	D26/85
D774,681 S *	12/2016	Liang	D26/85
D791,994 S *	7/2017	Liu	D10/106.8
D803,456 S *	11/2017	Yang	D26/85
D806,306 S	12/2017	Yang		
D808,569 S *	1/2018	Ban	D26/85
D829,359 S *	9/2018	Zhang	D26/85
D875,991 S *	2/2020	Wan	D26/85
D894,466 S *	8/2020	Hu	D26/72
D938,638 S *	12/2021	Chen	D26/85
D938,641 S	12/2021	Liang		
D940,941 S *	1/2022	Wu	D26/72
D944,445 S *	2/2022	Saboo	D26/72

DESCRIPTION

FIG. 1 is a perspective view of a solar wall light, showing my new design;
FIG. 2 is another perspective view thereof;
FIG. 3 is a front view thereof;
FIG. 4 is a rear view thereof;
FIG. 5 is a left side view thereof;
FIG. 6 is a right side view thereof;
FIG. 7 is a top plan view thereof; and,
FIG. 8 is an exploded perspective view thereof, showing the bottom attachment feature removed.
The broken lines in the drawings depict portions of the solar wall light that form no part of the claimed design.

1 Claim, 8 Drawing Sheets



(56)

References Cited

OTHER PUBLICATIONS

AGPTEK Solar Fence Lights. Available Dec. 17, 2020. Searched on Aug. 23, 2022. [https://www.amazon.com/dp/B08QVFZ3WD/ref=sspa_dk_detail_4?psc=1&pd_rd_i=B08QVFZ3WD&pd_rd_w=3PKS9&content-id=amzn1.sym.3481f441-61ac-4028-9c1a-7f9ce8ec50c5&pf_rd_p=3481f441-61ac-4028-9c1a-7f9ce8ec50c5&pf_rd_r=1Z18CJT7Q8WXXRAR592M&pd_rd_wg=MPRM1&pd_rd_r=72f151b8-1c0a-4ad9-a5ce-0f617d4b6c97&s=hi&sp_csd=d2lkZ2V0TmFtZT1zcF9kZXRhaWxhdGhlfWF0aWM&smid=A1TVDUW3K6CWWG&spLa=ZW5jcnlwdGVkUXVhbGlmaWVyPUFaRkM1VU0zWIITMFomZW5jcnlwdGVkSWQ9QTA1MTYyNjQyWFJlSOEsxWUJQNkgzJmVuY3J5cHRlZEFkSWQ9QTA3NDkyNTQyWkJSDBYSFc5Uk45JndpZGdlldE5hbWU9c3BfZGV0YWIxX3RoZW1hdGhlfjJmFjdGlvb11jbGlja1JIZGIyZW50JmRvTm90TG9nQ2xpY2s9dHJ1ZQ==] (Year: 2020).*

Ring Solar Steplight. Available May 21, 2020. Searched on Aug. 23, 2022. [<https://www.amazon.com/Introducing-Ring-Solar-Steplight-Motion-Sensor/dp/B07YP9TF36>] (Year: 2020).*

4 Pack Solar Fence Lights. Available Jan. 10, 2022. Searched on Aug. 23, 2022. [https://www.amazon.com/Outdoor-XURISEN-Waterproof-Backyard-Driveway/dp/B09Q34H8Q3/ref=sr_1_2?crd=5BINYBXW82LA&keywords=xurisen%2Bfence%2Bdeck%2Bsolar%2Blights&qid=1661282138&sprefix=xurisen%2Bfence%2Bdeck%2Bsolar%2Blights%2Caps%2C62&sr=8-2&th=1] (Year: 2022).*

* cited by examiner

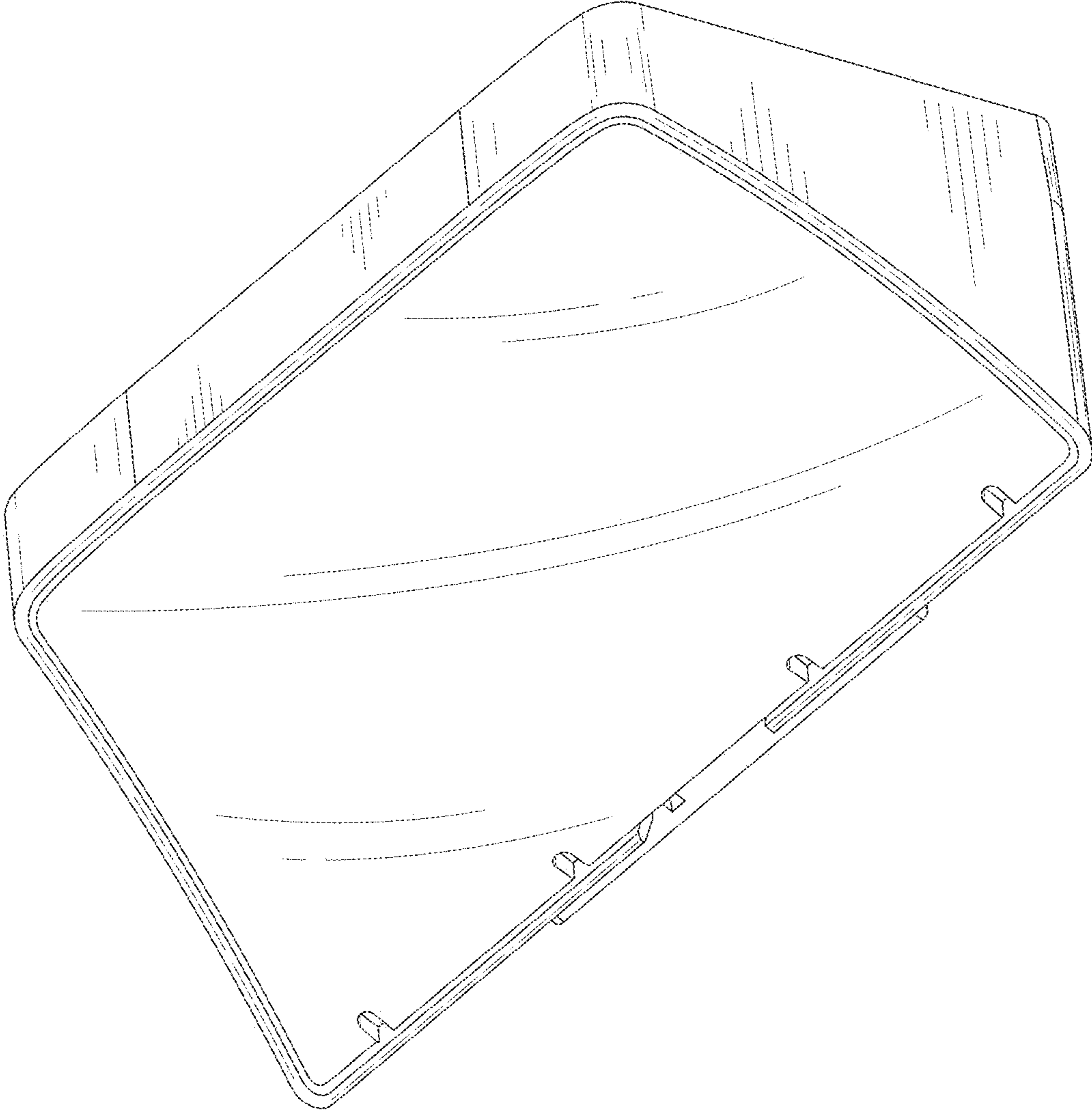


FIG. 1

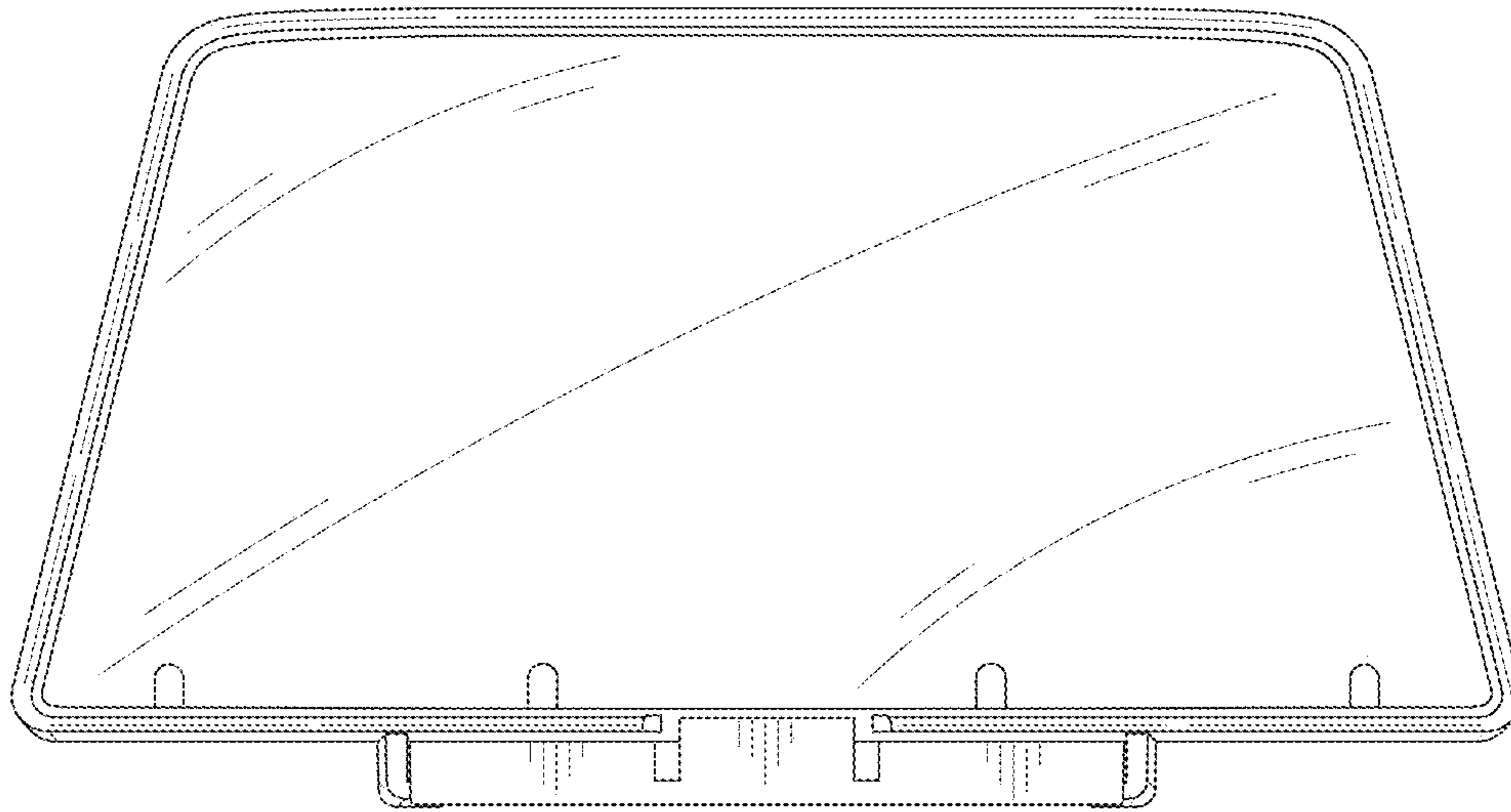


FIG. 2

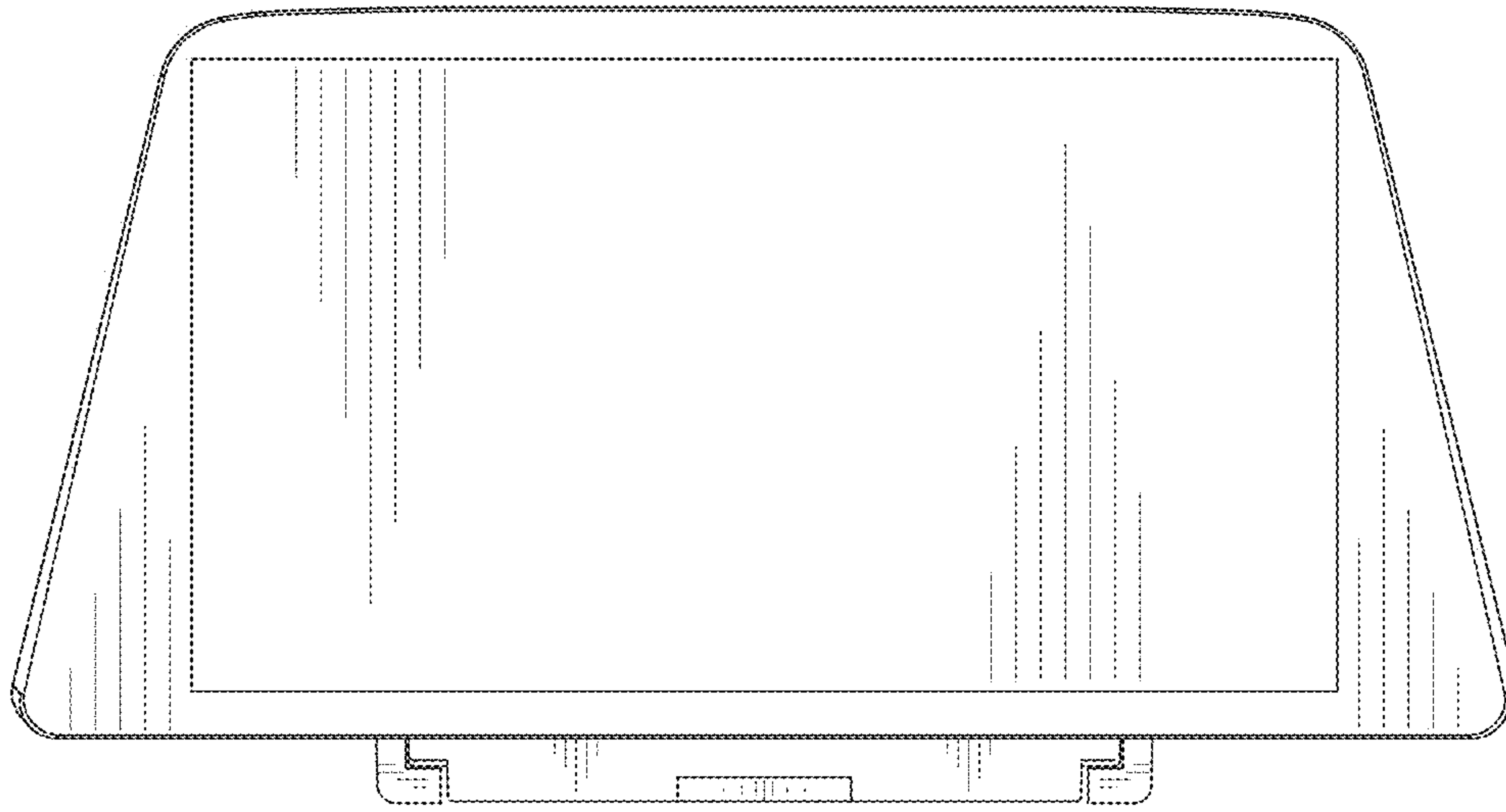


FIG. 3

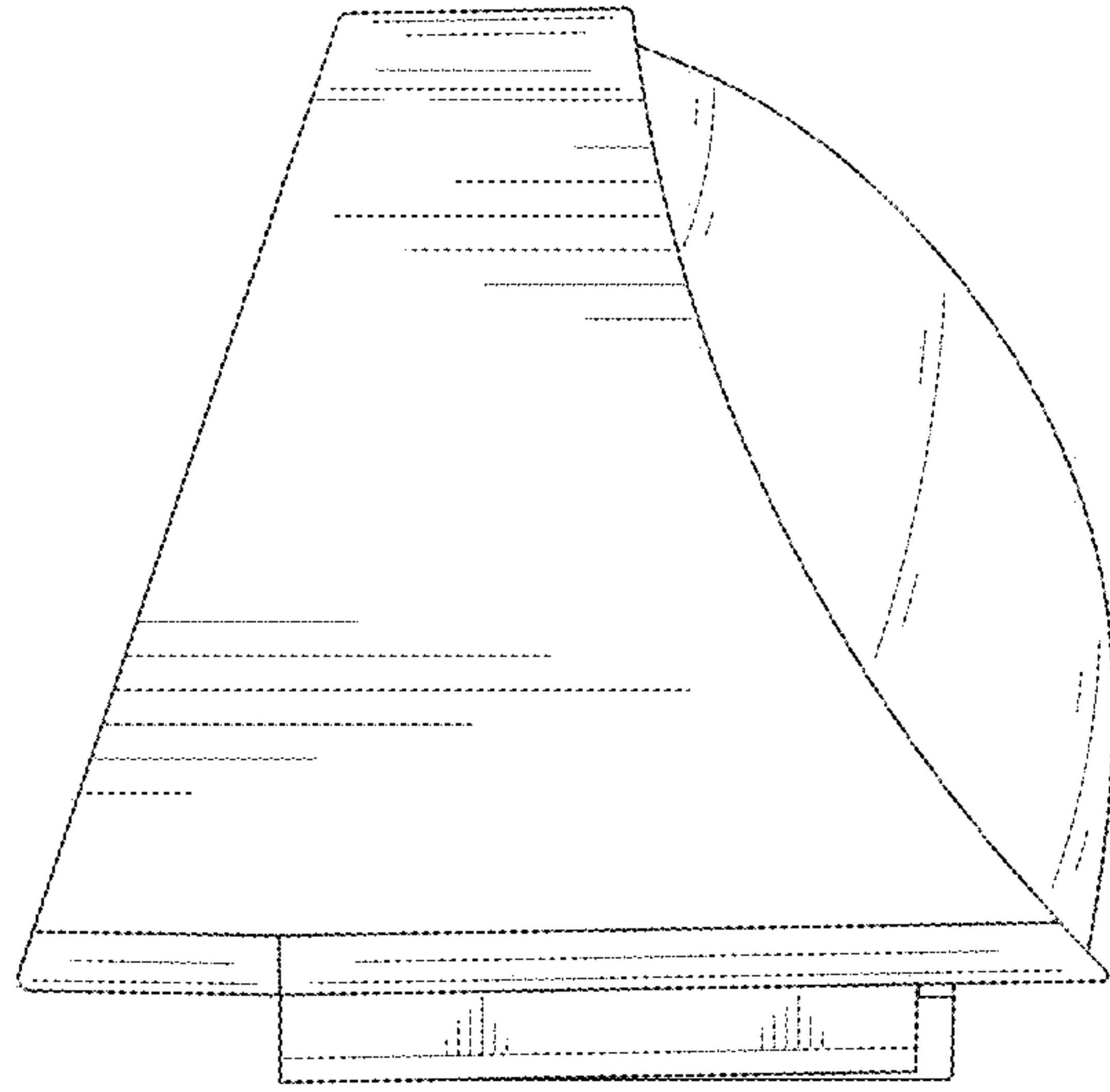


FIG. 4

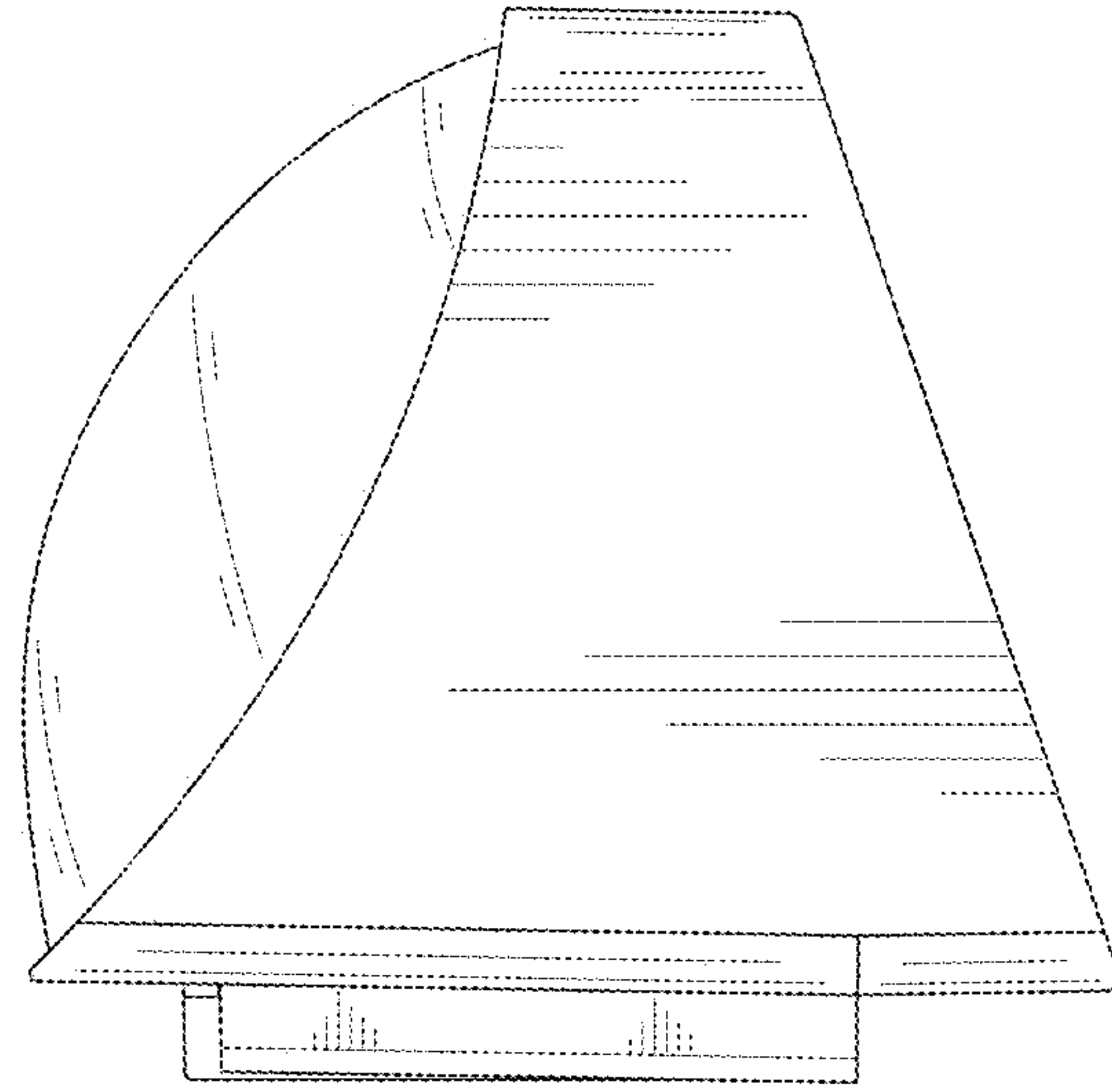


FIG. 5

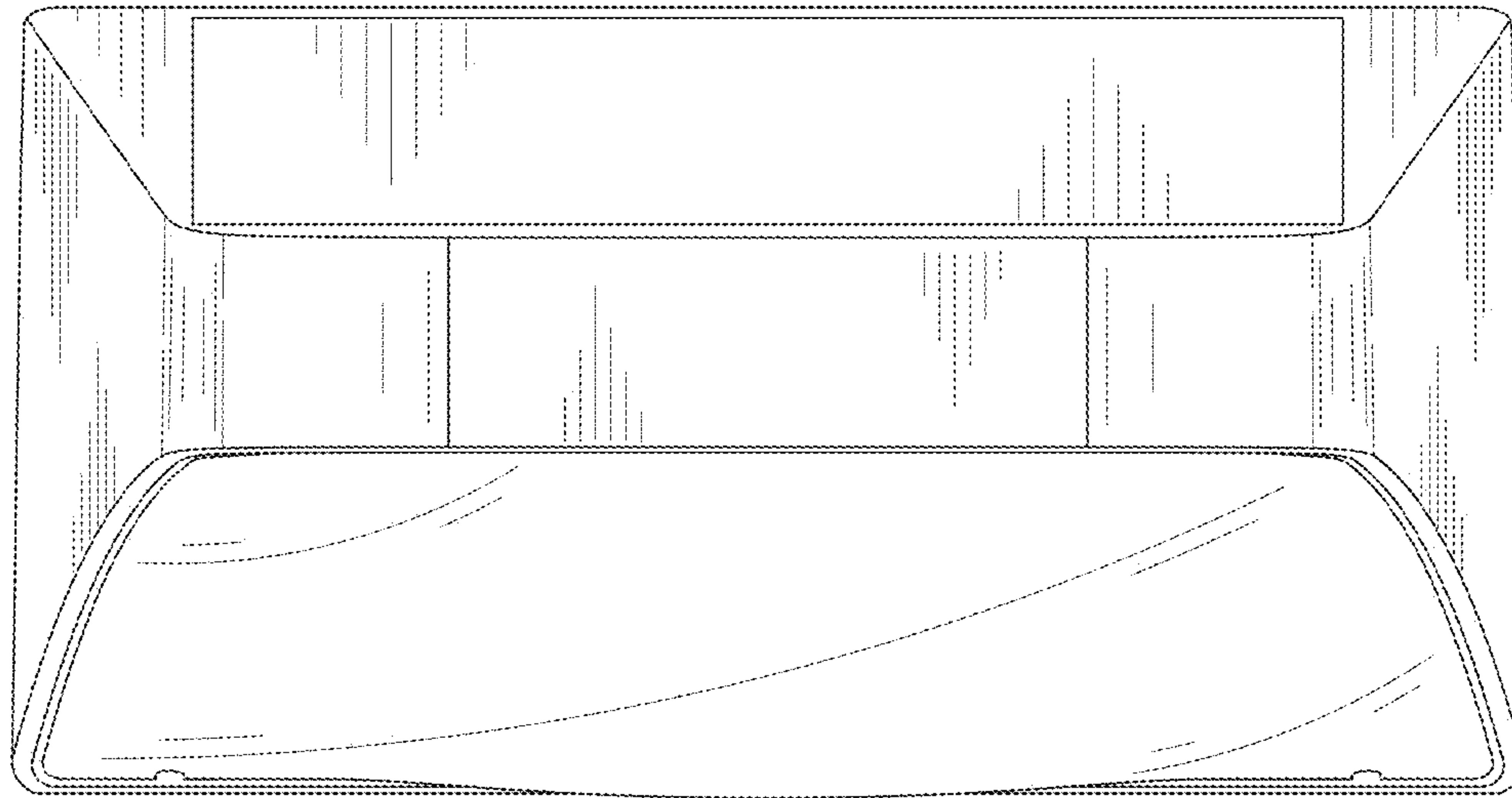


FIG. 6

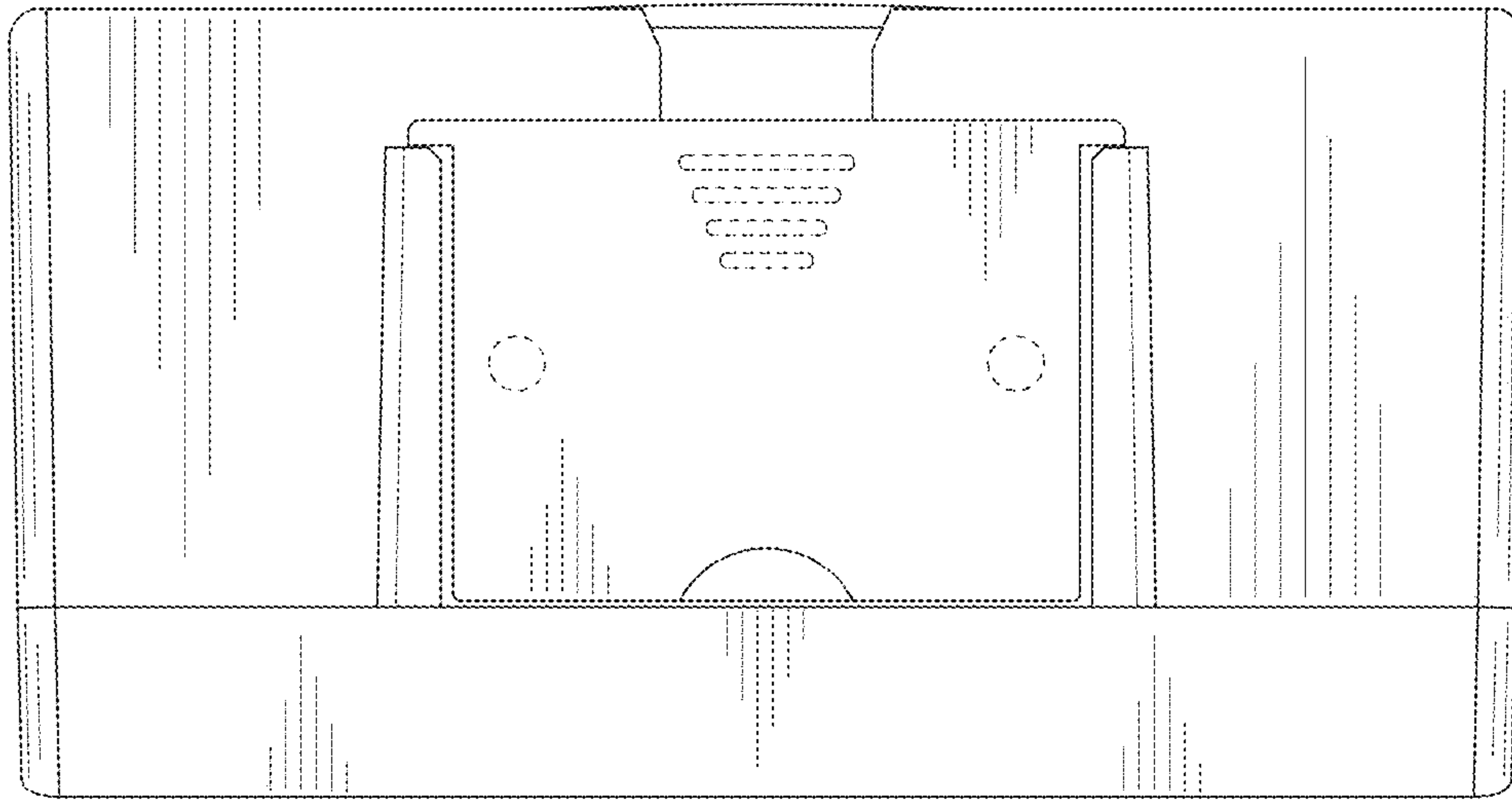


FIG. 7

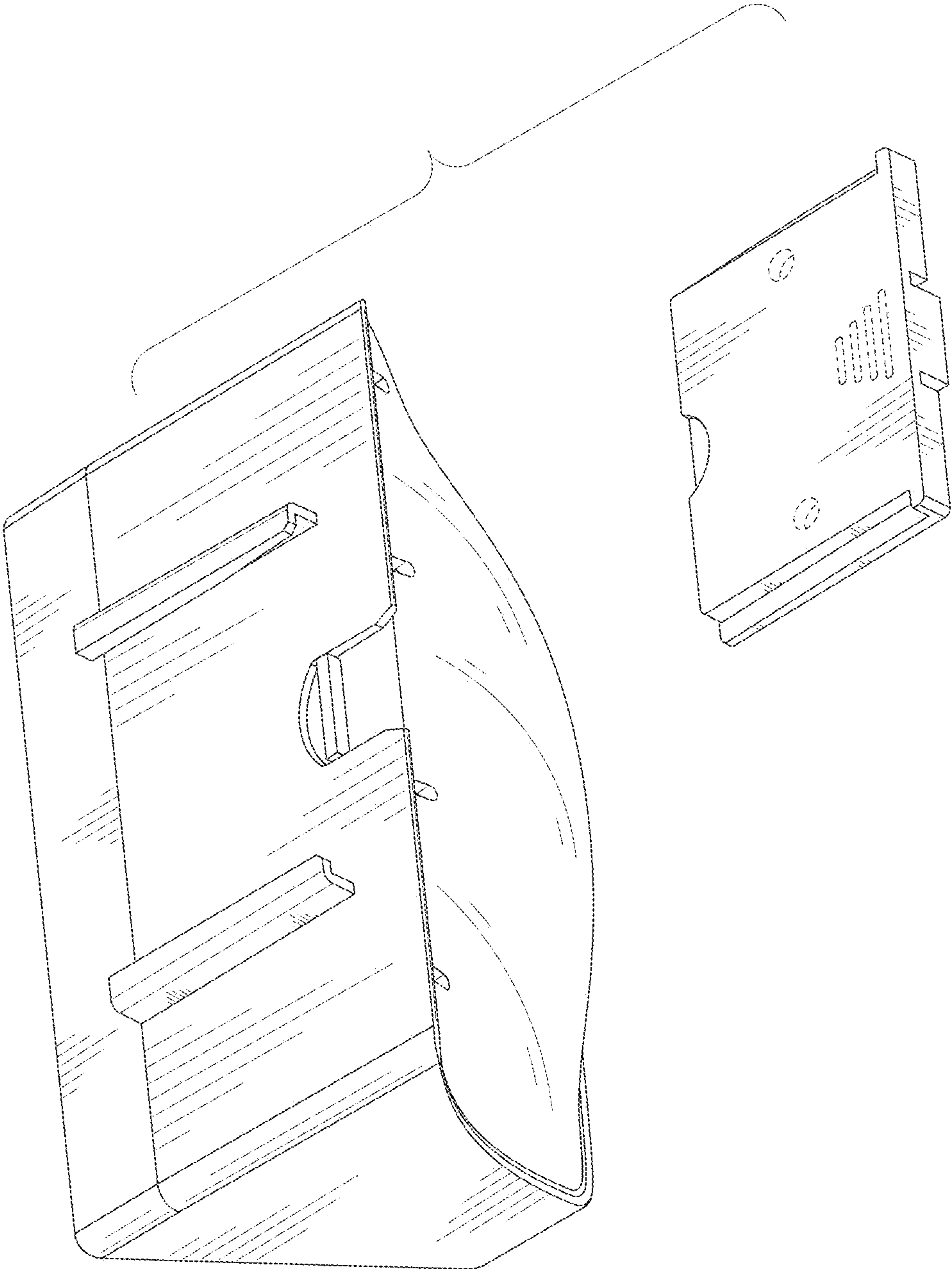


FIG. 8