



US00D981024S

(12) **United States Design Patent** (10) **Patent No.:** **US D981,024 S**  
**Ke** (45) **Date of Patent:** **\*\* \*Mar. 14, 2023**

(54) **LED LIGHT**  
(71) Applicant: **ShenZhen Neewer Technology Co., Ltd.**, Shenzhen (CN)  
(72) Inventor: **Yan Ke**, Shenzhen (CN)  
(\* ) Notice: This patent is subject to a terminal disclaimer.  
(\*\*) Term: **15 Years**  
(21) Appl. No.: **29/762,531**  
(22) Filed: **Dec. 17, 2020**  
(51) **LOC (14) Cl.** ..... **26-05**  
(52) **U.S. Cl.**  
USPC ..... **D26/63; D26/24**  
(58) **Field of Classification Search**  
USPC ..... D26/24, 60, 61, 63, 65, 66, 72, 79, 85, D26/92  
CPC .... F21V 121/00; F21V 121/14; F21V 121/30; F21V 14/00; F21V 14/02; F21V 15/01; F21V 17/02; F21S 8/00; F21S 8/043; F21S 8/003; F21S 9/00; F21S 9/02  
See application file for complete search history.

D720,487 S \* 12/2014 Moeller ..... D26/63  
D723,727 S \* 3/2015 Moeller ..... D26/63  
D749,767 S \* 2/2016 Jin ..... D26/63  
D753,331 S 4/2016 Gough et al.  
D761,472 S 7/2016 Zhu  
D761,473 S \* 7/2016 Zhang ..... D26/63  
D762,901 S \* 8/2016 Boissevain ..... D26/63  
D799,094 S 10/2017 Li  
D803,449 S \* 11/2017 Xu ..... D26/63  
D804,076 S 11/2017 Tong  
D814,678 S 4/2018 Zhan  
D828,620 S \* 9/2018 Moller ..... D26/63  
D842,518 S \* 3/2019 Griffin ..... D26/51  
D848,044 S \* 5/2019 Zhu ..... D26/63  
D855,227 S 7/2019 Becker  
D855,856 S \* 8/2019 Du ..... D26/63  
D862,758 S \* 10/2019 Zhu ..... D26/63  
D882,847 S \* 4/2020 Chami ..... D26/63  
D884,243 S \* 5/2020 Li ..... D26/63  
D887,605 S \* 6/2020 Zhan ..... D26/61

(Continued)

*Primary Examiner* — Wan Laymon  
*Assistant Examiner* — Clint A Samuel  
(74) *Attorney, Agent, or Firm* — Rumit R. Kanakia

(57) **CLAIM**

The ornamental design for a LED light, as shown and described.

(56) **References Cited**

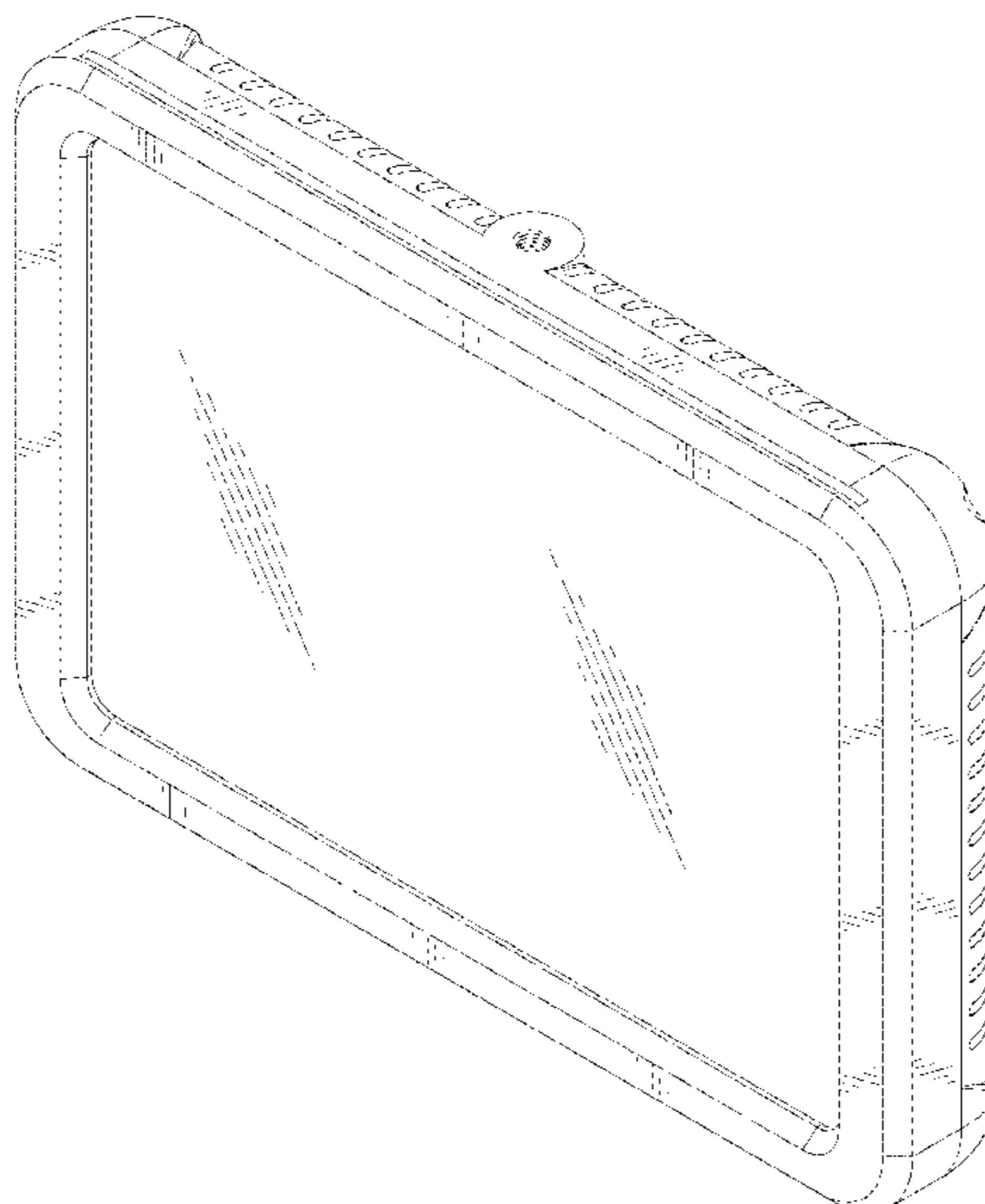
**U.S. PATENT DOCUMENTS**

D360,960 S \* 8/1995 Wedel, I ..... D26/63  
D360,962 S \* 8/1995 Cornell ..... D26/63  
D566,318 S \* 4/2008 Quiogue ..... D26/63  
D574,102 S \* 7/2008 Quiogue ..... D26/63  
D642,721 S \* 8/2011 Li ..... D26/63  
D645,184 S \* 9/2011 Zhan ..... D26/63  
D673,712 S \* 1/2013 Patel ..... D26/74  
D693,397 S \* 11/2013 Zhan ..... D16/239  
D711,030 S \* 8/2014 Zhan ..... D26/65  
D711,576 S \* 8/2014 Zhan ..... D26/63  
D711,577 S \* 8/2014 Zhan ..... D26/65  
D712,581 S \* 9/2014 Scarlata ..... D26/65  
D714,481 S \* 9/2014 Moeller ..... D26/63

**DESCRIPTION**

FIG. 1 is a Perspective view of a LED light showing my new design in open position;  
FIG. 2 is a Front view thereof;  
FIG. 3 is a Back view thereof;  
FIG. 4 is a Right-side view thereof;  
FIG. 5 is a Left-side view thereof;  
FIG. 6 is a Top view thereof; and,  
FIG. 7 is a Bottom view thereof.  
The broken lines in the drawings depict portions of the LED light that form no part of the claimed design.

**1 Claim, 5 Drawing Sheets**



(56)

**References Cited**

U.S. PATENT DOCUMENTS

D887,609 S \* 6/2020 Wu ..... D26/63  
D900,379 S \* 10/2020 McLaughlin ..... D26/118  
D903,917 S \* 12/2020 Pietschmann ..... D26/63  
D907,830 S \* 1/2021 Gu ..... D26/63  
D907,831 S \* 1/2021 Gu ..... D26/63  
D918,453 S \* 5/2021 Rang ..... D26/63  
D919,151 S \* 5/2021 Wu ..... D26/63  
D921,260 S \* 6/2021 Ke ..... D26/65  
D937,251 S \* 11/2021 Peng ..... D14/252  
D945,038 S \* 3/2022 Pi ..... D26/63  
D945,669 S \* 3/2022 Hao ..... D26/60  
2017/0202067 A1 \* 7/2017 Lin ..... F21V 19/003  
2019/0178479 A1 \* 6/2019 Liu ..... G03B 15/02  
2021/0195715 A1 \* 6/2021 Kowalenko ..... F21V 23/0471

\* cited by examiner

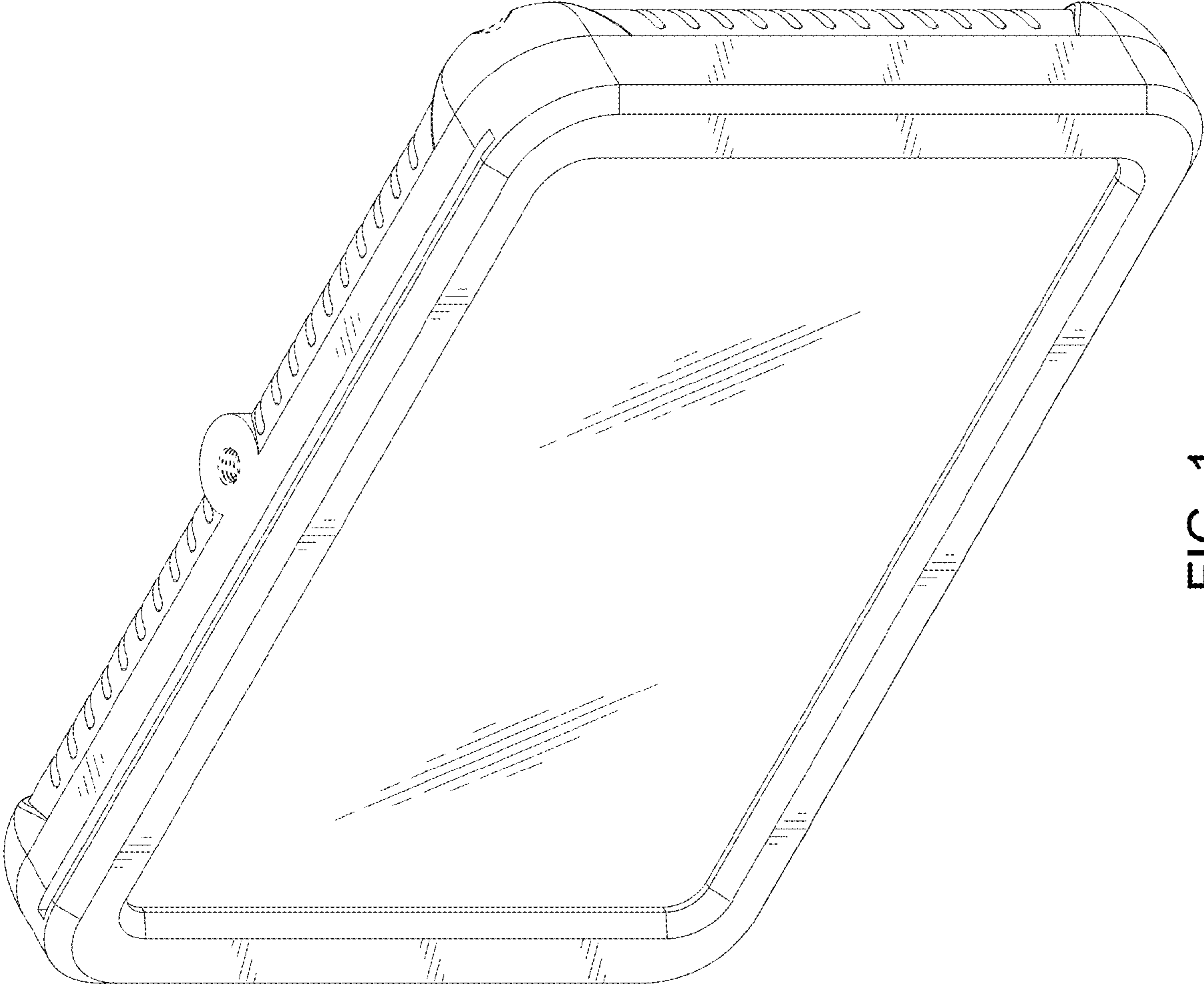


FIG. 1

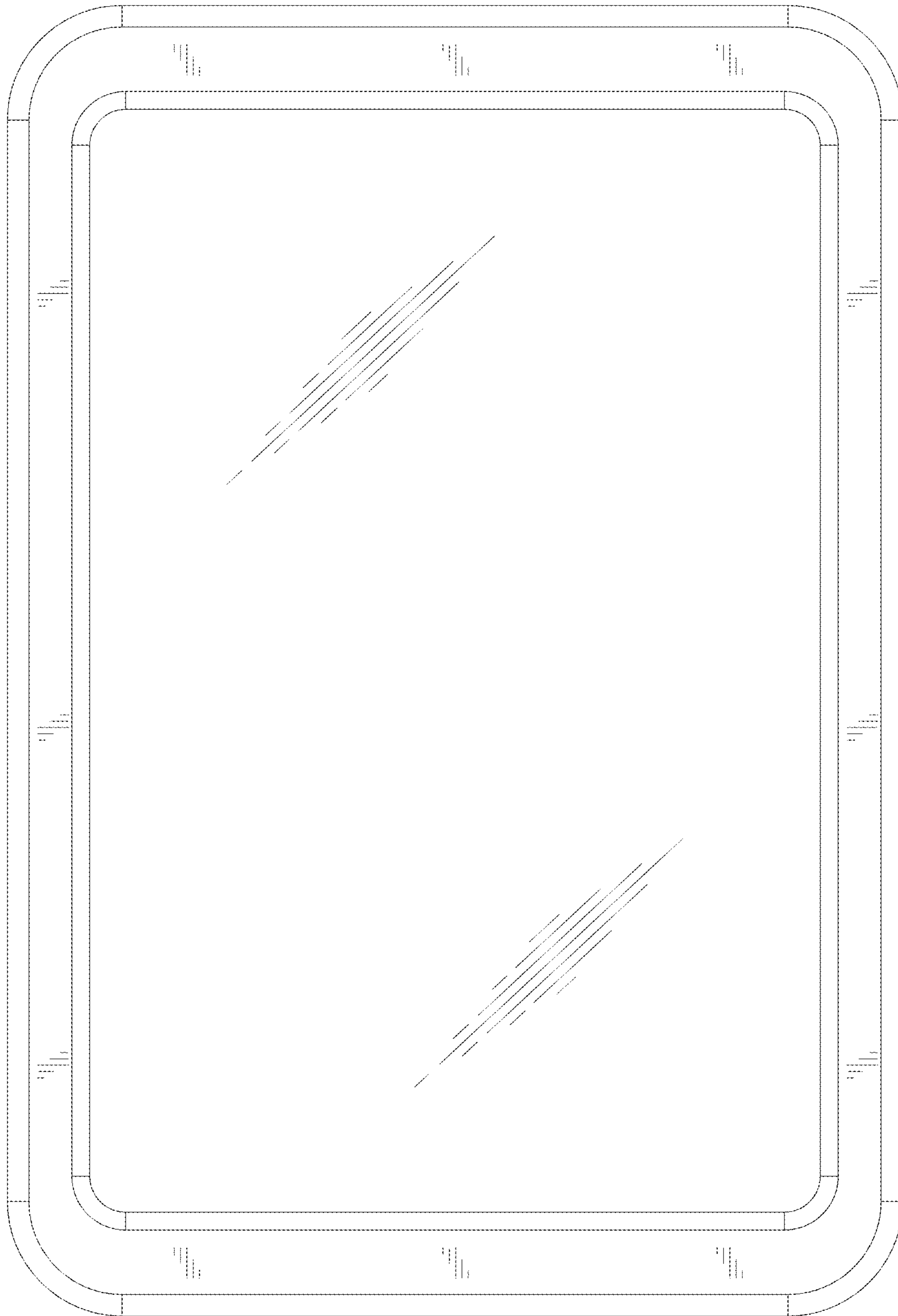


FIG. 2

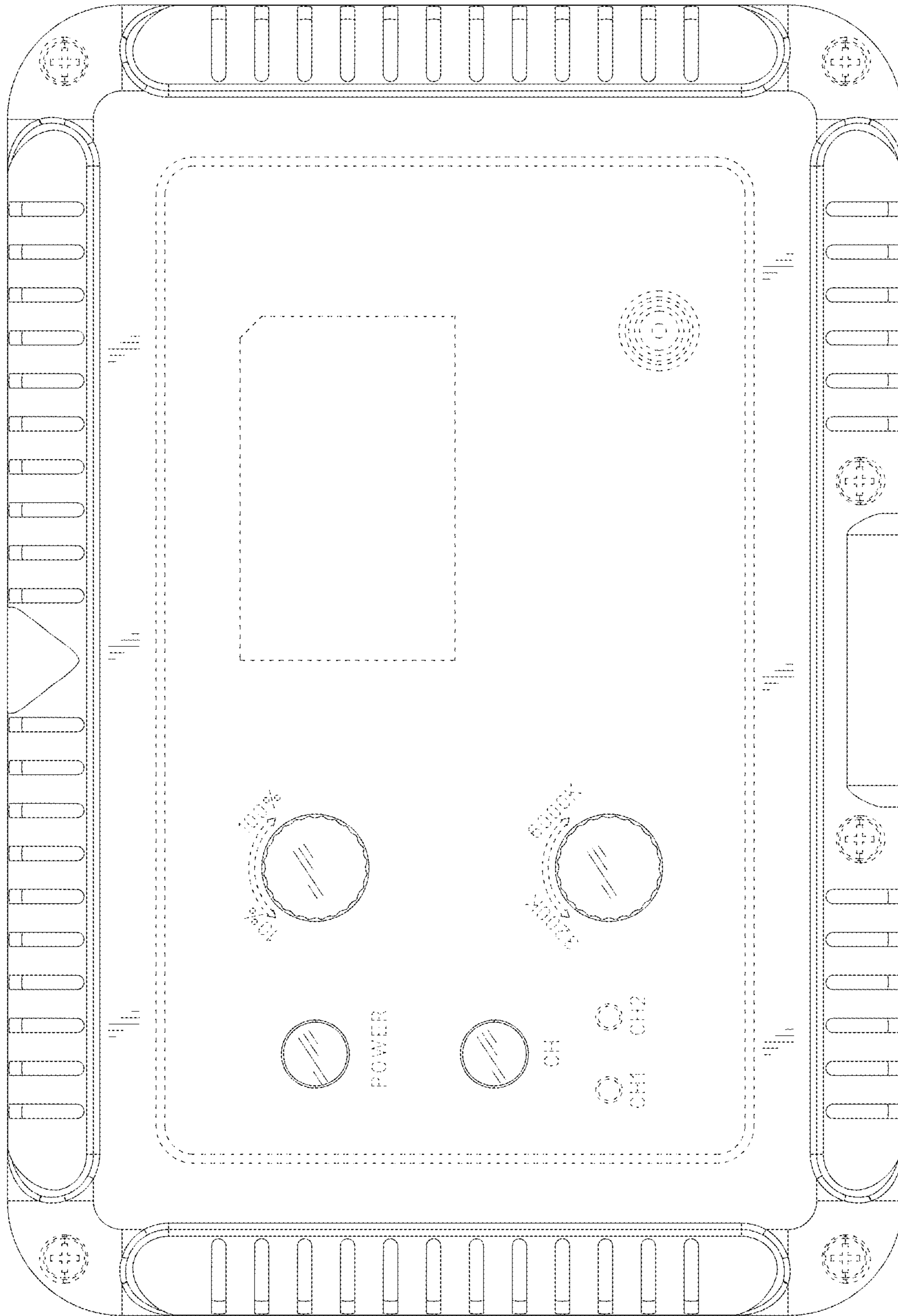


FIG. 3



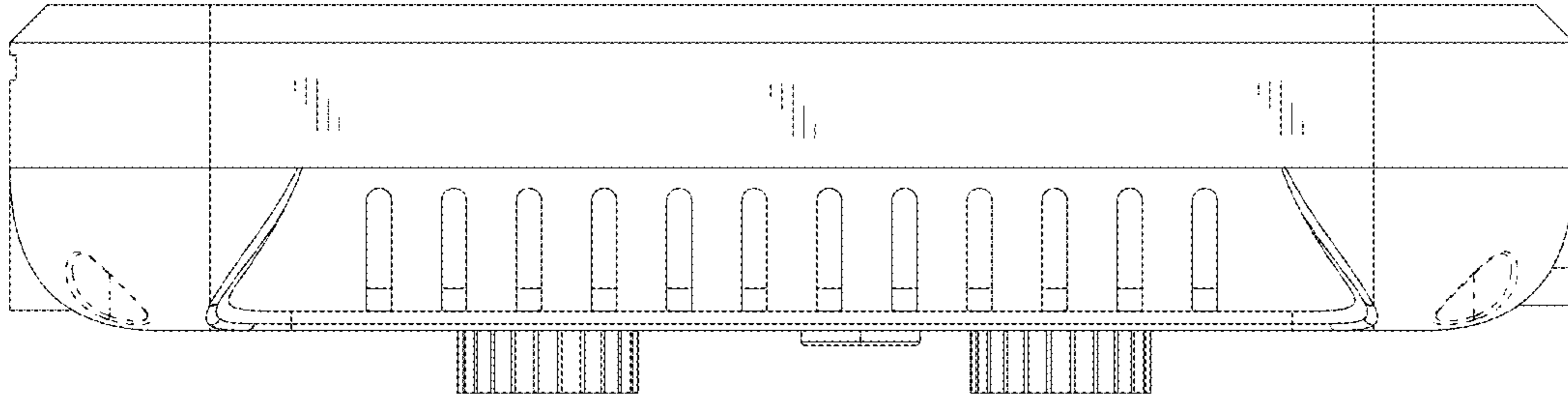


FIG. 5

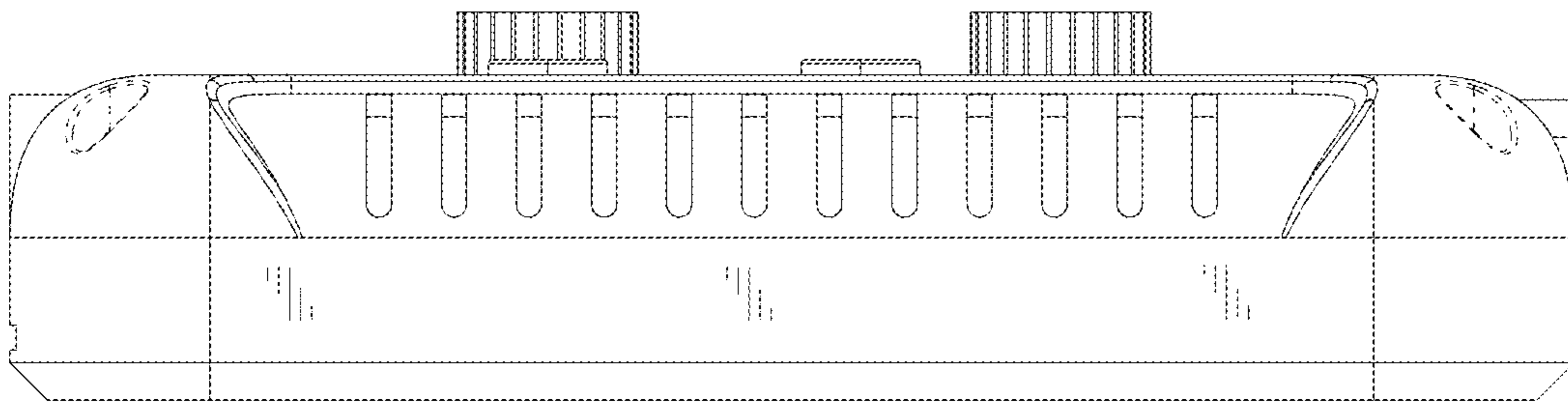


FIG. 4

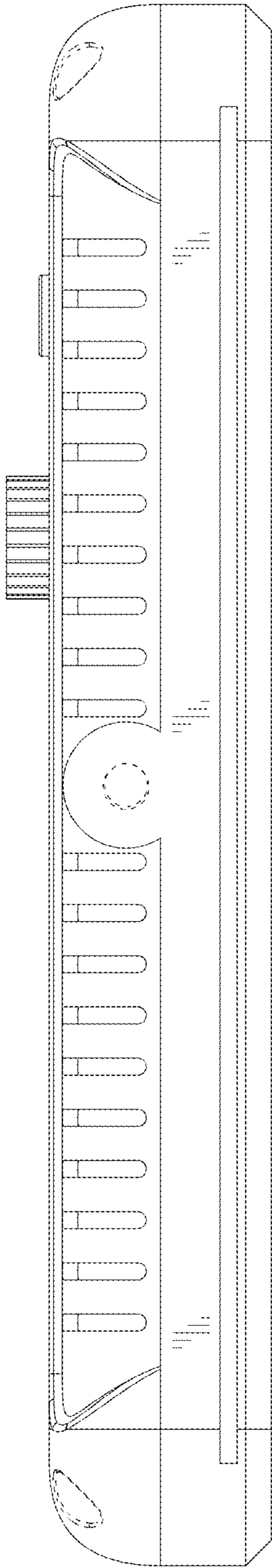


FIG. 6

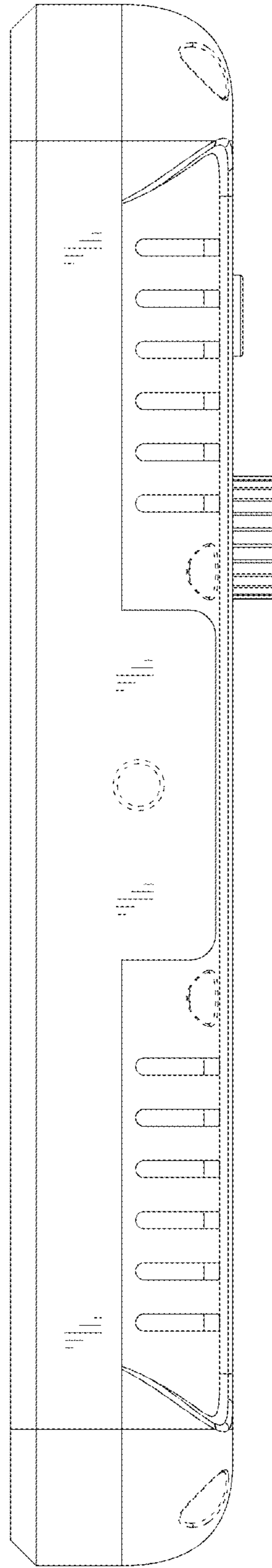


FIG. 7