



US00D981023S

(12) **United States Design Patent**
Zhang

(10) **Patent No.:** **US D981,023 S**
(45) **Date of Patent:** **** Mar. 14, 2023**

(54) **BICYCLE LIGHT**

(71) Applicant: **SHENZHEN UMIONE TECHNOLOGY CO., LTD.**, Shenzhen (CN)

(72) Inventor: **Hongping Zhang**, Shenzhen (CN)

(73) Assignee: **SHENZHEN UMIONE TECHNOLOGY CO., LTD.**, Shenzhen (CN)

(**) Term: **15 Years**

(21) Appl. No.: **29/799,735**

(22) Filed: **Jul. 16, 2021**

(51) **LOC (14) Cl.** **26-05**

(52) **U.S. Cl.**
USPC **D26/60; D12/114**

(58) **Field of Classification Search**
USPC D26/24, 28, 32-39, 41, 43, 47-51, 57, D26/60, 61, 113; D12/107, 111, 114
CPC F21S 9/02; F21S 8/003; F21W 2102/10; F21W 2107/13; F21W 2111/08; F21W 2111/10; B62J 6/00; B62J 6/02; B62J 6/026; B62J 6/04; B62J 6/015; B62J 6/055

See application file for complete search history.

(56) **References Cited**

U.S. PATENT DOCUMENTS

D344,148 S *	2/1994	Yuen	D26/34
D395,717 S *	6/1998	Dalton	D26/28
D592,340 S *	5/2009	Liao	D26/60
D609,377 S *	2/2010	Taiga	D26/60
D673,316 S *	12/2012	Oshima	D26/50
D678,566 S *	3/2013	Janssen	D26/28
D679,038 S *	3/2013	Hamasaki	D26/28
D746,501 S *	12/2015	Chen	D26/60
D751,744 S *	3/2016	Watson	D26/113

D752,252 S *	3/2016	Ruthling	D26/60
D766,480 S *	9/2016	Bo	D26/60
D768,322 S *	10/2016	Feustel	D26/60
D819,877 S *	6/2018	Gramling	D26/138
D869,036 S *	12/2019	Brockie	D26/60
D884,947 S *	5/2020	Tang	D26/60
D911,561 S *	2/2021	Heggland	D26/60
D914,941 S *	3/2021	Zhang	D26/60
D921,949 S *	6/2021	Lin	D26/60
D923,844 S *	6/2021	Ke	D26/60
2014/0355283 A1 *	12/2014	Kurumatani	B62J 6/16 362/473

OTHER PUBLICATIONS

Lezyne Femto, posted at Amazon, date first available Jul. 12, 2019. Site visited Oct. 28, 2022. Available from interne, URL: <https://www.amazon.com/LEZYNE-Bicycle-Compact-Rechargeable-Visibility/dp/B07WDTFJ1M> (Year: 2019).*

(Continued)

Primary Examiner — Kathleen L Jones

Assistant Examiner — Vanessa Martinez

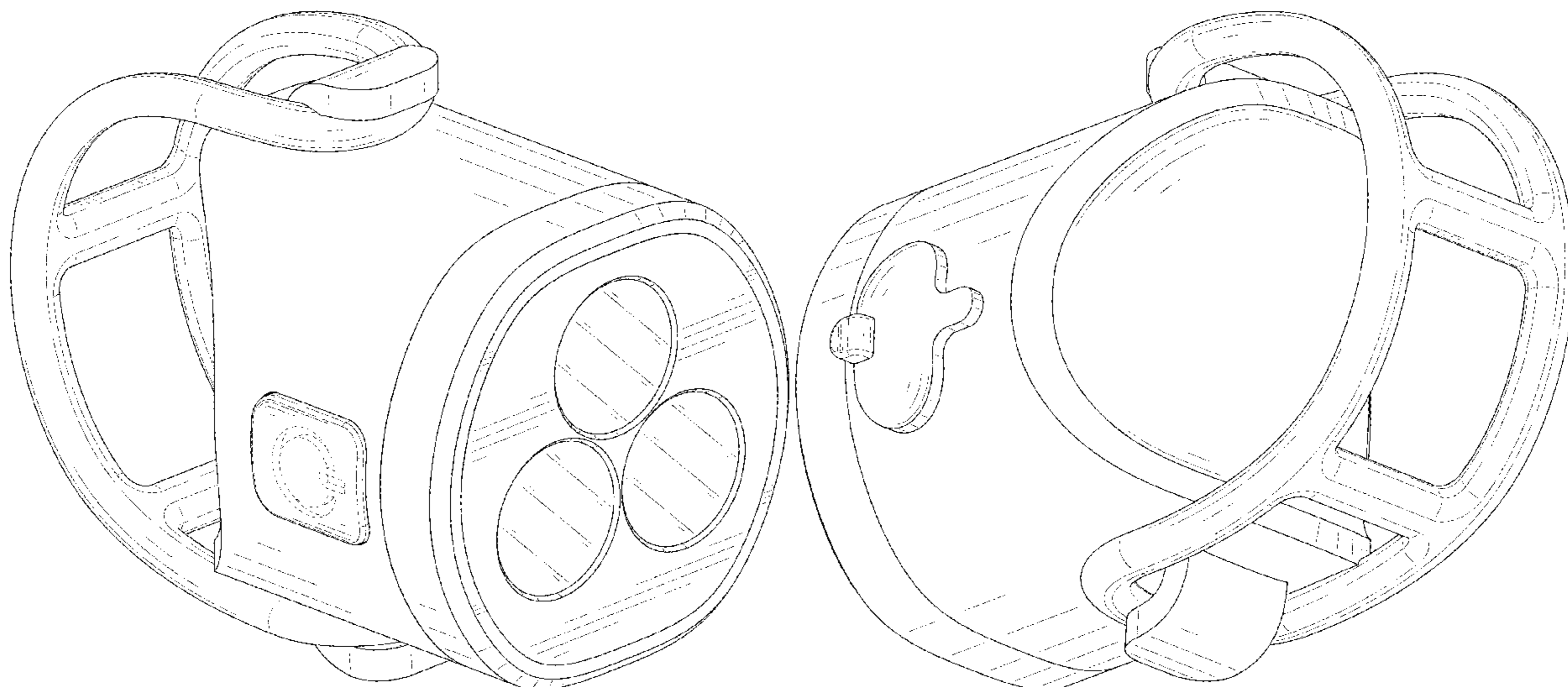
(57) **CLAIM**

The ornamental design for a bicycle light, as shown and described.

DESCRIPTION

FIG. 1 is a perspective view of a bicycle light showing my new design;
FIG. 2 is another perspective view thereof;
FIG. 3 is a front elevational view thereof;
FIG. 4 is a rear elevational view thereof;
FIG. 5 is a left side elevational view thereof;
FIG. 6 is a right side elevational view thereof;
FIG. 7 is a top plan view thereof; and,
FIG. 8 is a bottom plan view thereof.
The broken lines in the drawings depict portions of the bicycle light that form no part of the claimed design.

1 Claim, 8 Drawing Sheets



(56)

References Cited

OTHER PUBLICATIONS

Zecto Drive Light, posted at Amazon, date first available May 30, 2017. Site visited Oct. 28, 2022. Available from interne, URL: <https://www.amazon.com/LEZYNE-Zecto-Drive-Light-Combo/dp/B07252C82T?th=1&psc=1> (Year: 2017).*

* cited by examiner

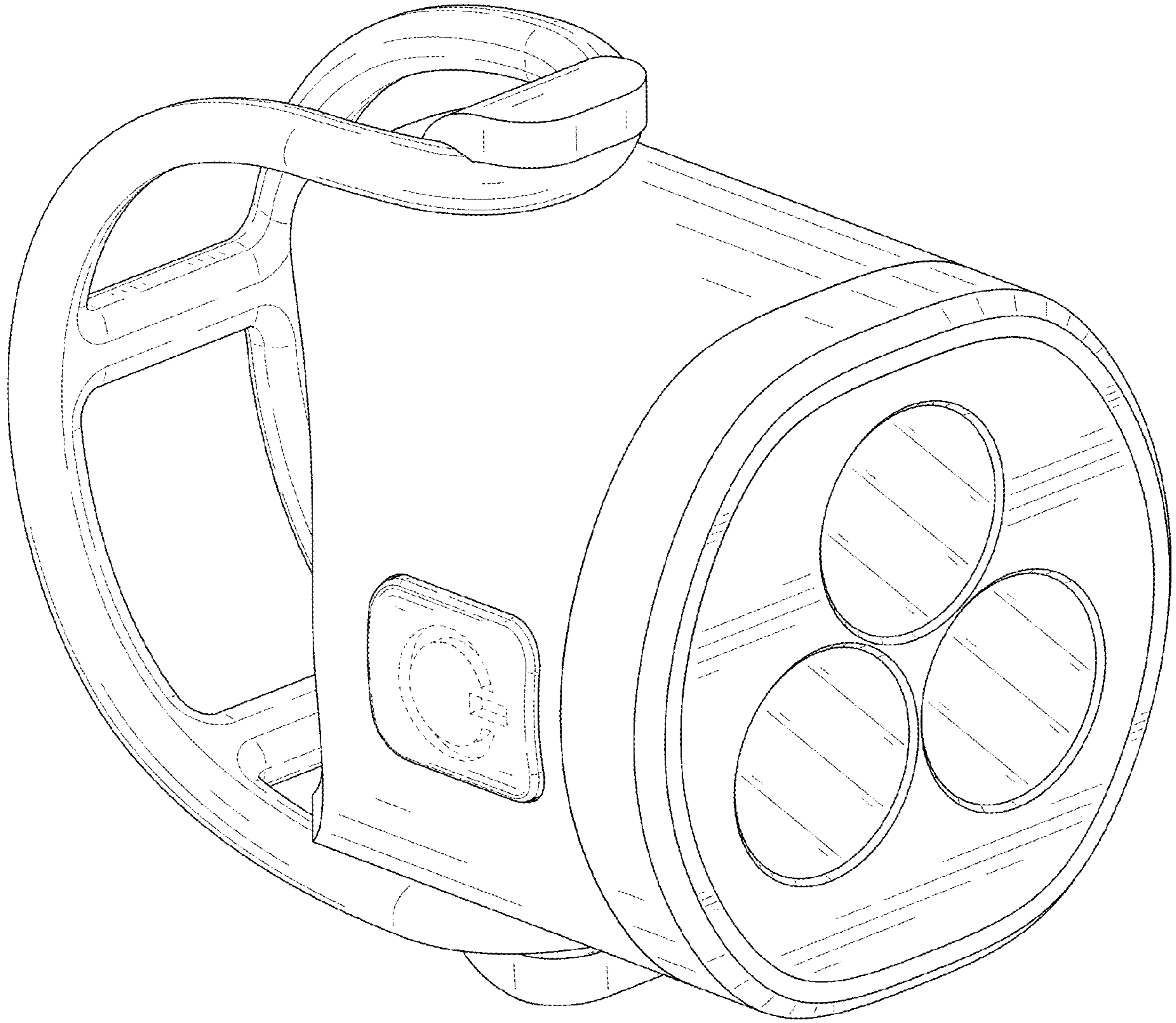


FIG. 1

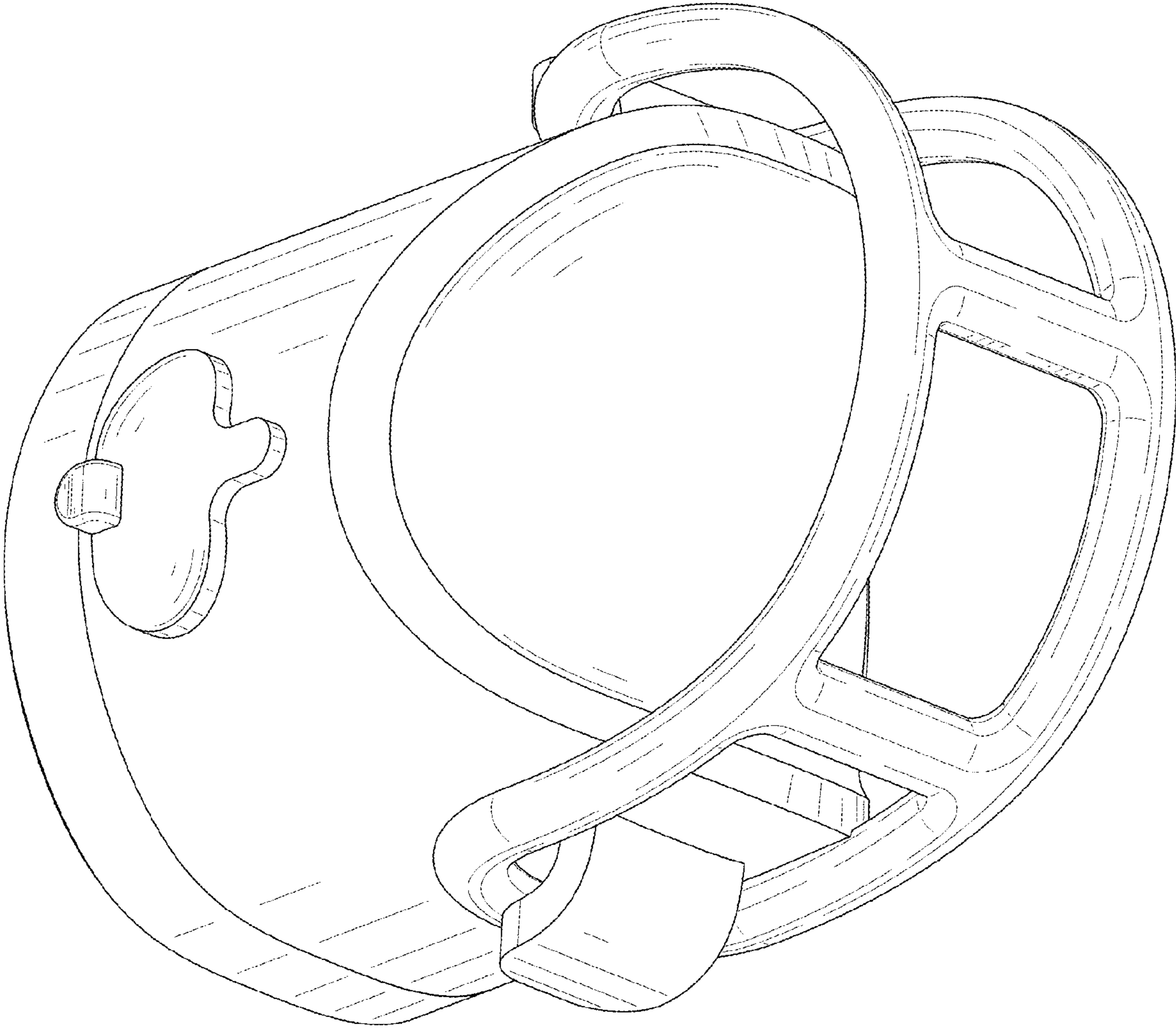


FIG. 2

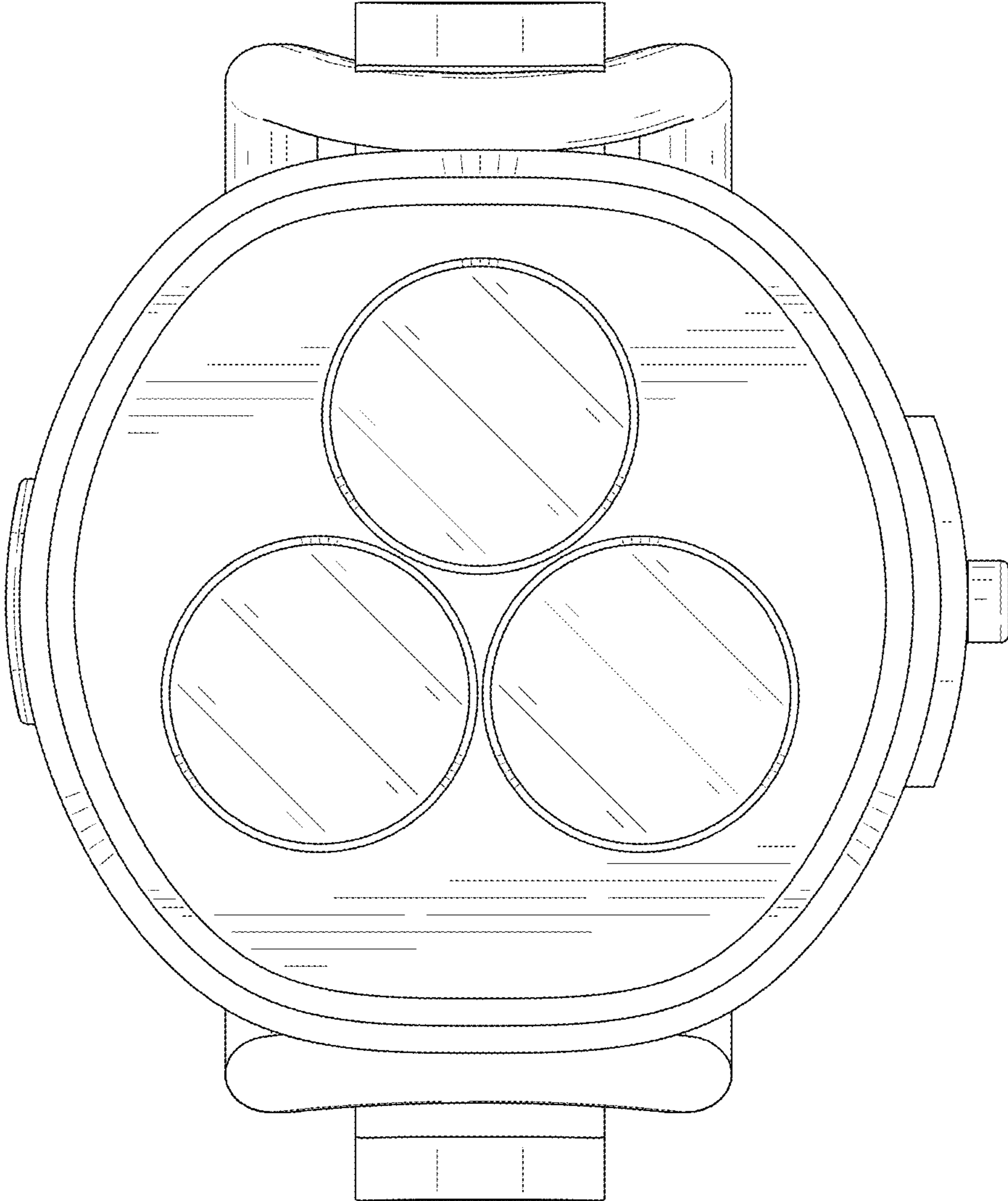


FIG. 3

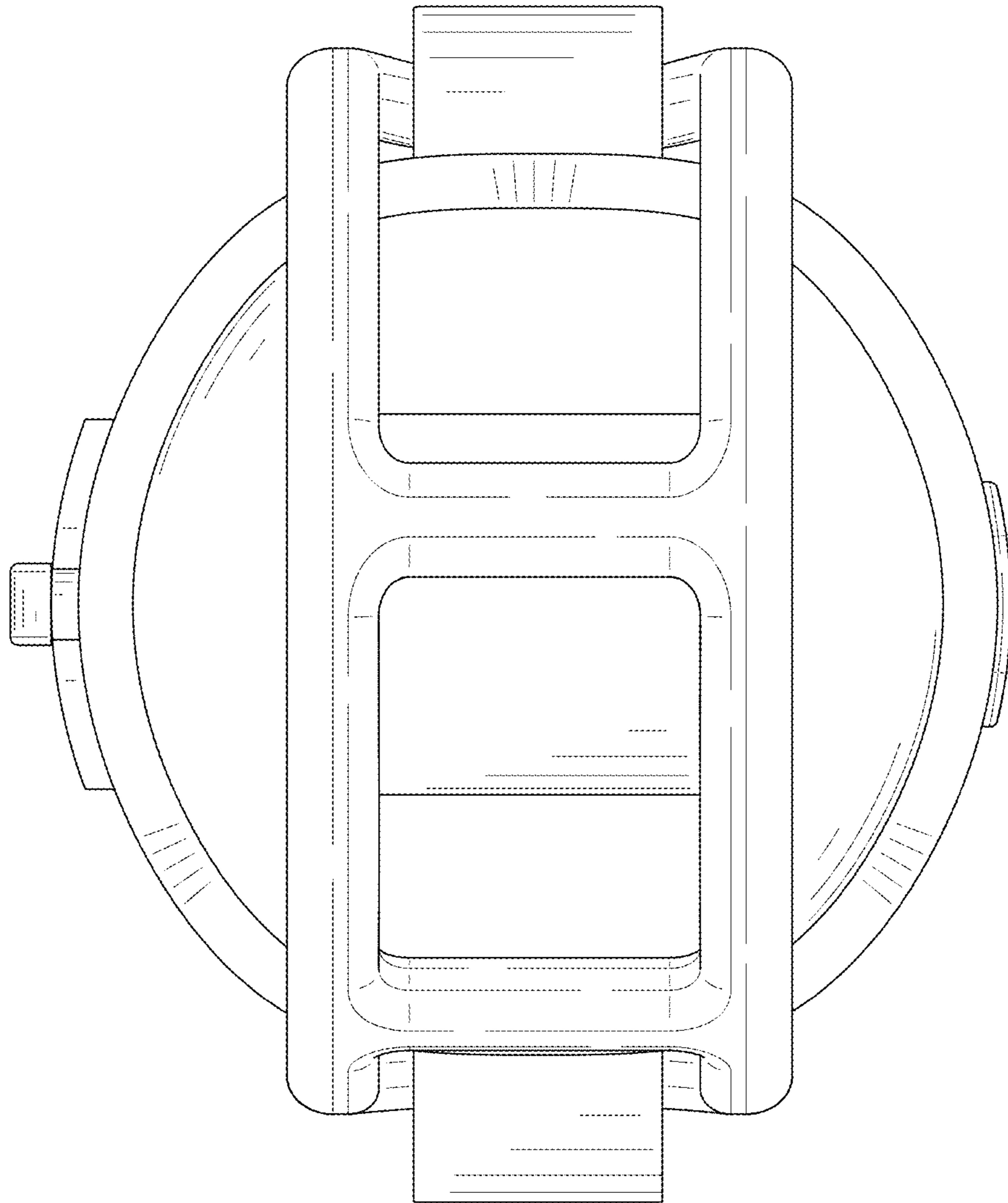


FIG. 4

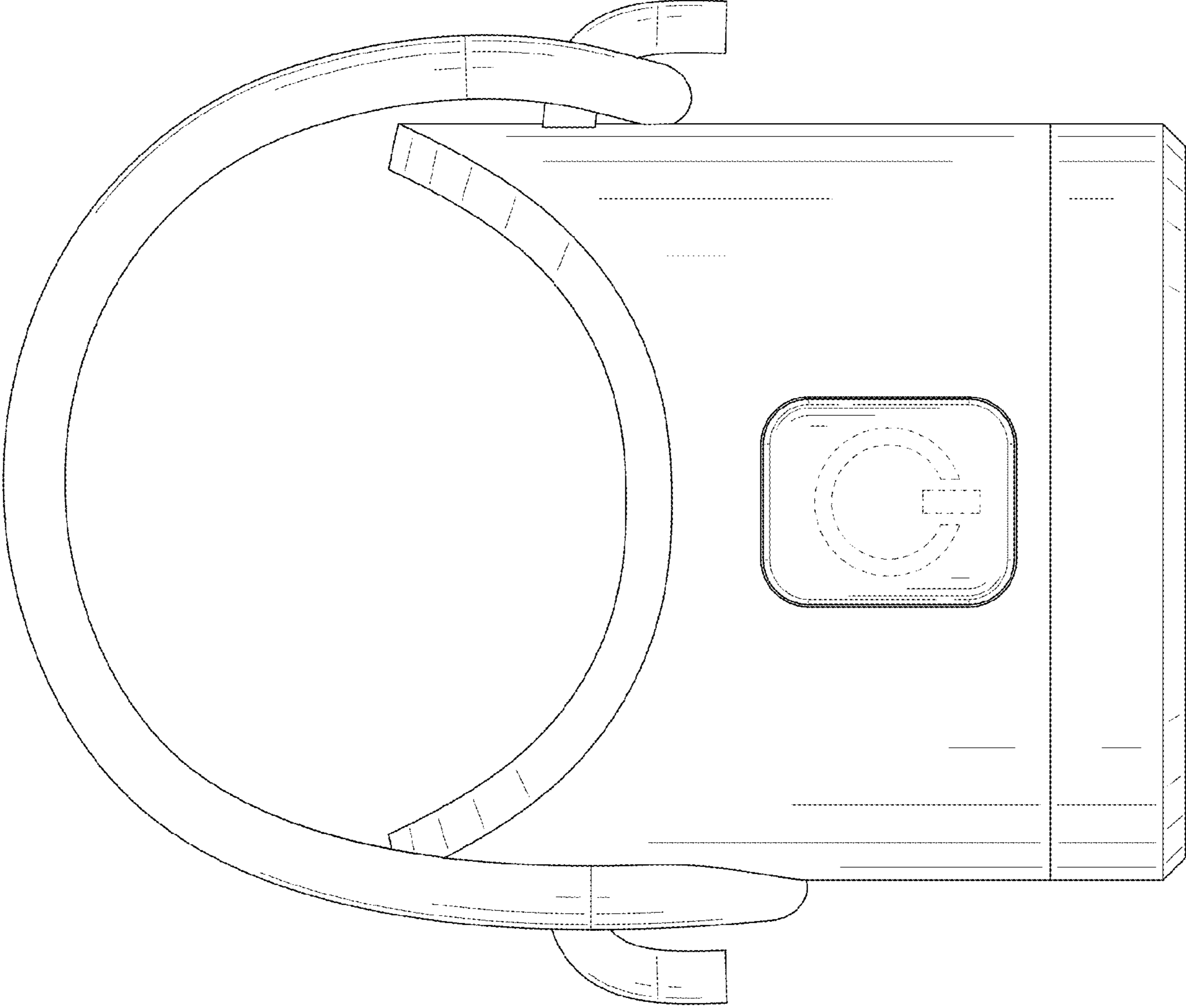


FIG. 5

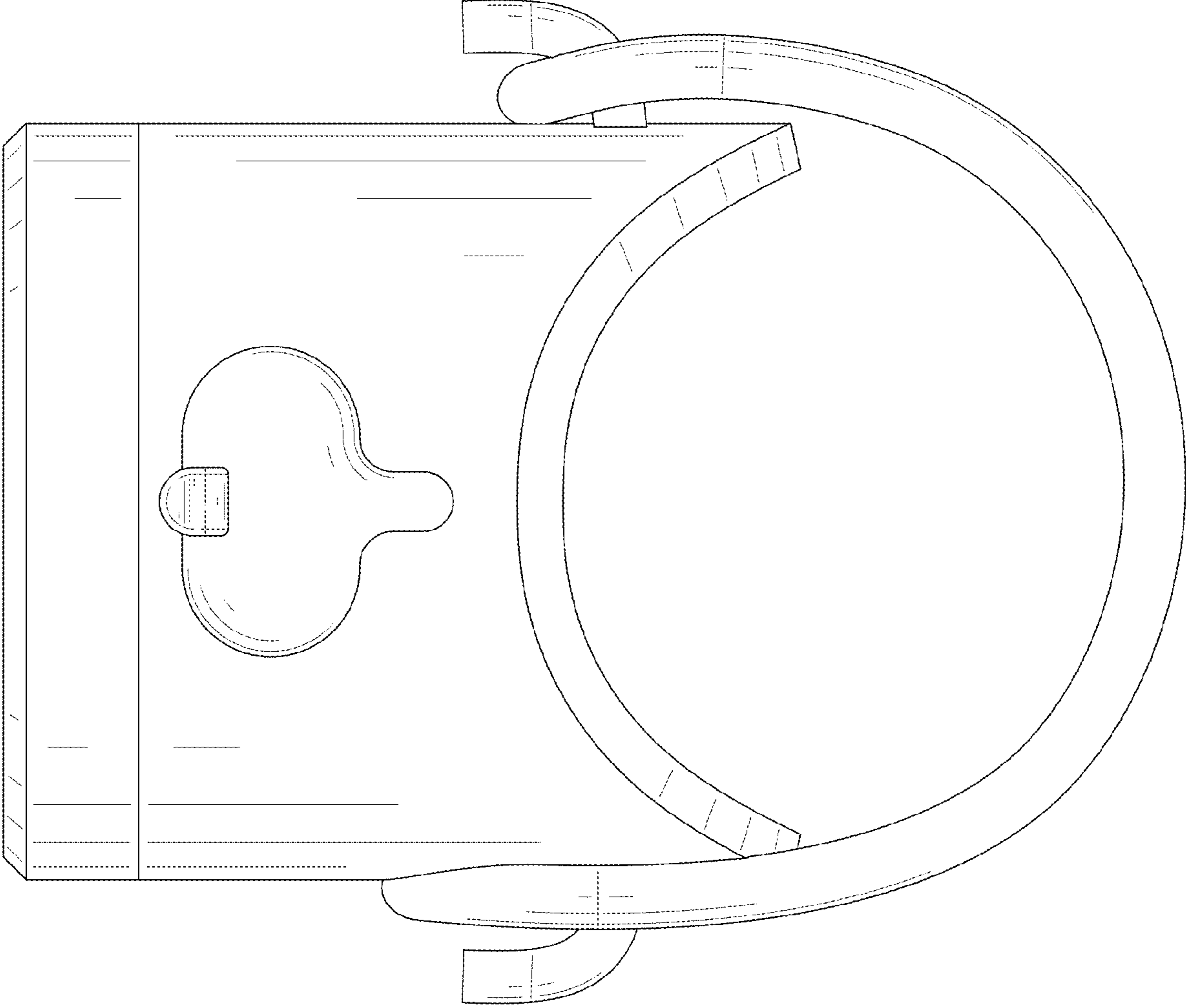


FIG. 6

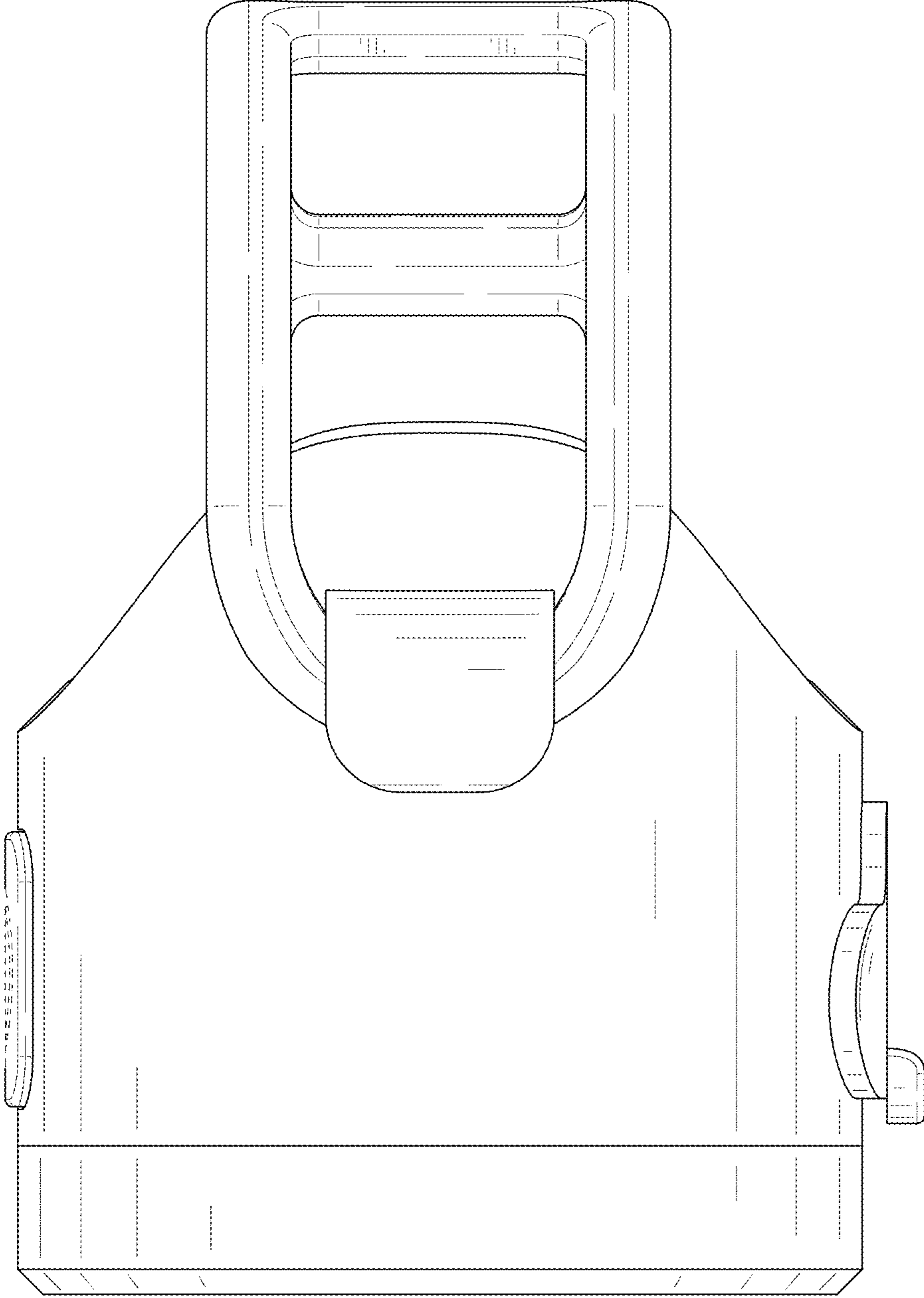


FIG. 7

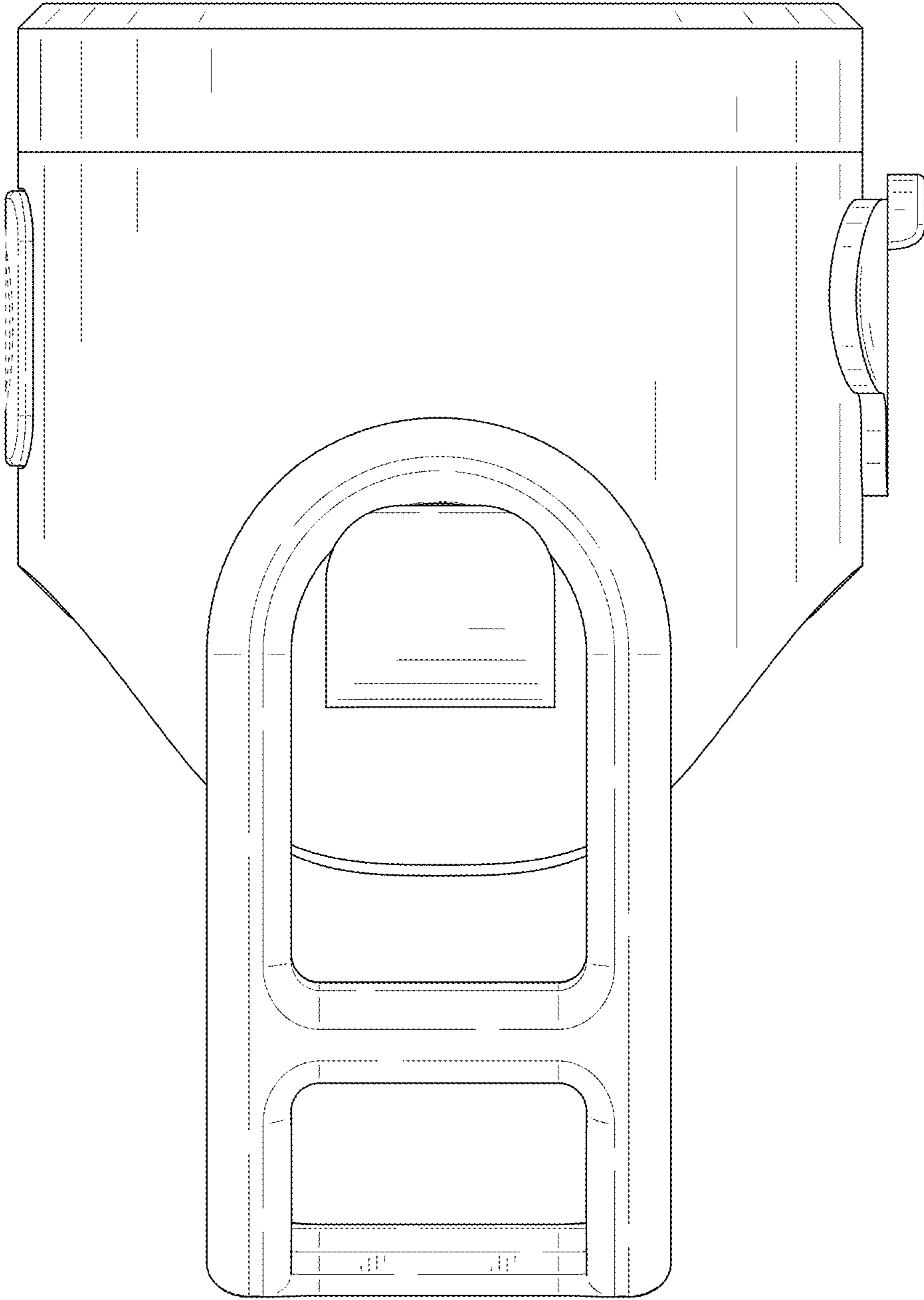


FIG. 8