



US00D981022S

(12) **United States Design Patent**
Wu

(10) **Patent No.:** **US D981,022 S**
(45) **Date of Patent:** **** Mar. 14, 2023**

(54) **FLASHLIGHT**

(71) Applicant: **Qingyun Wu**, Zhejiang (CN)

(72) Inventor: **Qingyun Wu**, Zhejiang (CN)

(**) Term: **15 Years**

(21) Appl. No.: **29/821,971**

(22) Filed: **Jan. 5, 2022**

(51) **LOC (14) Cl.** **26-02**

(52) **U.S. Cl.**
USPC **D26/49**

(58) **Field of Classification Search**
USPC D26/8, 37-44, 46-52, 60-61;
D10/111-115
CPC . F21L 2001/00; F21L 4/02; F21L 4/04; F21L
4/005; F21L 4/022; F21L 4/045; F21L
4/085; F21L 21/00; F21L 14/02; F21L
14/023

See application file for complete search history.

(56) **References Cited**

U.S. PATENT DOCUMENTS

D577,139 S *	9/2008	Brown	D26/49
D577,140 S *	9/2008	Brown	F41G 11/003
				D26/49
D577,844 S *	9/2008	Shiu	D26/49
D610,727 S *	2/2010	Nyssen	D26/46
D716,984 S *	11/2014	Inskeep	D26/49
D769,496 S *	10/2016	Inskeep	D26/49
D803,445 S *	11/2017	Inskeep	D26/49
D846,169 S *	4/2019	Inskeep	D26/49
D853,610 S *	7/2019	Galli	D26/49
D877,379 S *	3/2020	Qiu	D26/49
D884,233 S *	5/2020	Petrucelli	D26/38
D899,646 S *	10/2020	Shan	D26/49
D899,647 S *	10/2020	Shan	D26/49
D900,368 S *	10/2020	Petrucelli	D26/49
D922,640 S *	6/2021	Lin	D26/49
D930,209 S *	9/2021	Chen	D26/49

D937,460 S	11/2021	Bourne	
D938,635 S	12/2021	Tang et al.	
D939,121 S	12/2021	Qiu	
D939,743 S	12/2021	Yang	
D940,366 S *	1/2022	Cran D26/37

(Continued)

FOREIGN PATENT DOCUMENTS

CN	306672922	*	7/2021
CN	306748304	*	8/2021

(Continued)

OTHER PUBLICATIONS

“XHP70 LED Flashlight,” Aug. 25, 2021, amazon.com, site visited Jul. 21, 2022, URL: <https://www.amazon.com/Flashlight-Brightest-Rechargeable-Adjustable-Flashlights/dp/B09DSF898M> (Year: 2021).*

(Continued)

Primary Examiner — Christy Nemeth
Assistant Examiner — Sarah L Smith

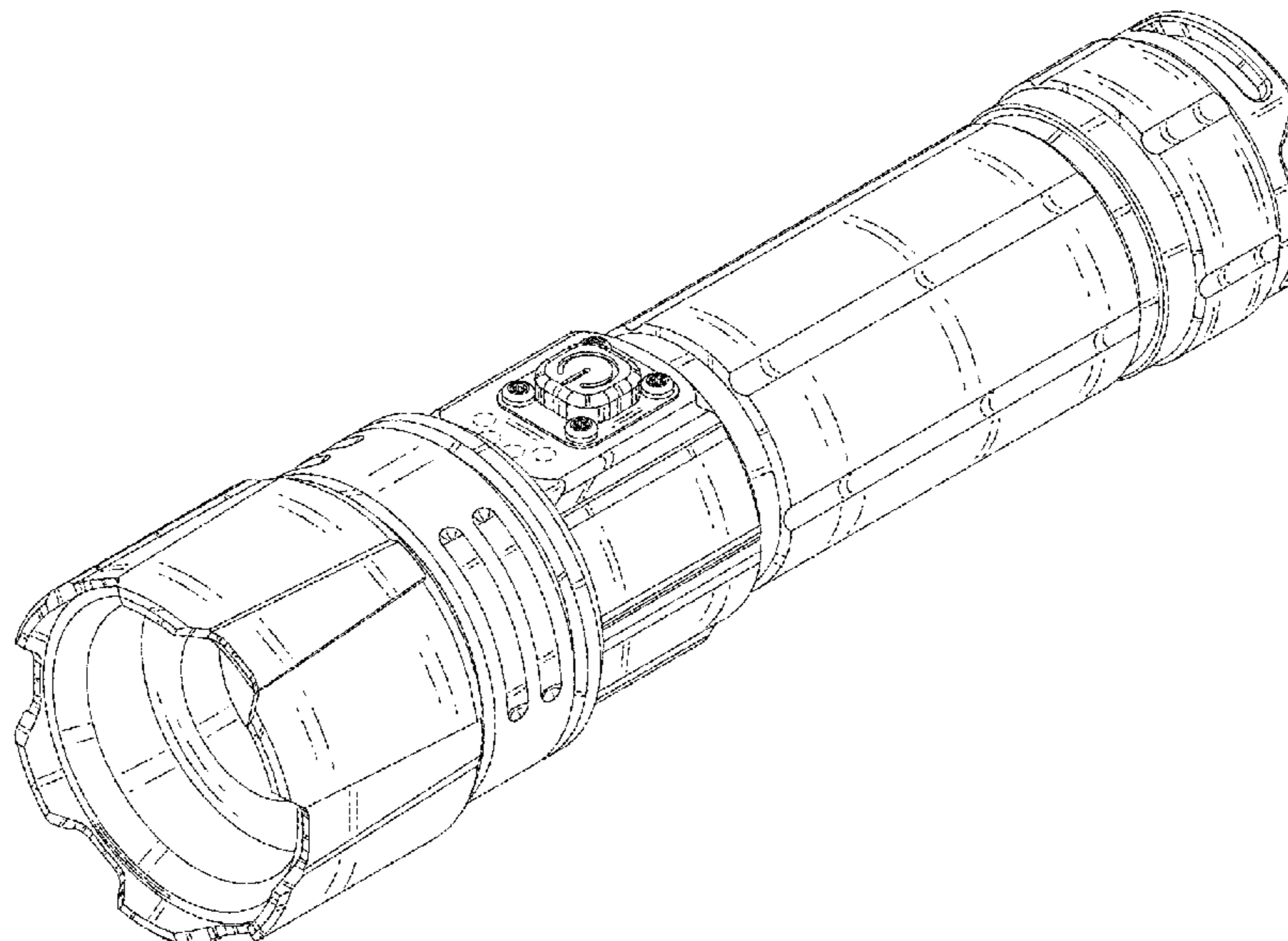
(57) **CLAIM**

The ornamental design for a flashlight, as shown and described.

DESCRIPTION

FIG. 1 is a perspective view of a flashlight showing my new design;
FIG. 2 is a front elevational view thereof;
FIG. 3 is a rear elevational view thereof;
FIG. 4 is a left side elevational view thereof;
FIG. 5 is a right side elevational view thereof;
FIG. 6 is a top plan view thereof; and,
FIG. 7 is a bottom plan view thereof.
The broken lines throughout the drawing figures depict portions of the flashlight that form no part of the claimed design.

1 Claim, 7 Drawing Sheets



(56)

References Cited

U.S. PATENT DOCUMENTS

D944,430 S * 2/2022 Wang D26/49
D955,019 S * 6/2022 Saboo D26/37
D964,617 S * 9/2022 Ma D26/37
2010/0014284 A1* 1/2010 Hancock B24D 15/08
362/205
2012/0195031 A1* 8/2012 Li F21L 4/085
362/183
2013/0050993 A1* 2/2013 Campman F21L 4/005
362/102
2021/0108891 A1* 4/2021 Ma F41G 11/003

FOREIGN PATENT DOCUMENTS

CN 306812938 * 9/2021
WO WO-2011059849 A2 * 5/2011 F21L 4/005

OTHER PUBLICATIONS

“AutoEuropa Single Mode LED Flashlight,” Apr. 21, 2021, amazon.com, site visited Jul. 21, 2022, URL: <https://www.amazon.com/AutoEuropa-Flashlight-Rechargeable-Zoomable-Emergency/dp/B0932JGHL6> (Year: 2021).*

* cited by examiner

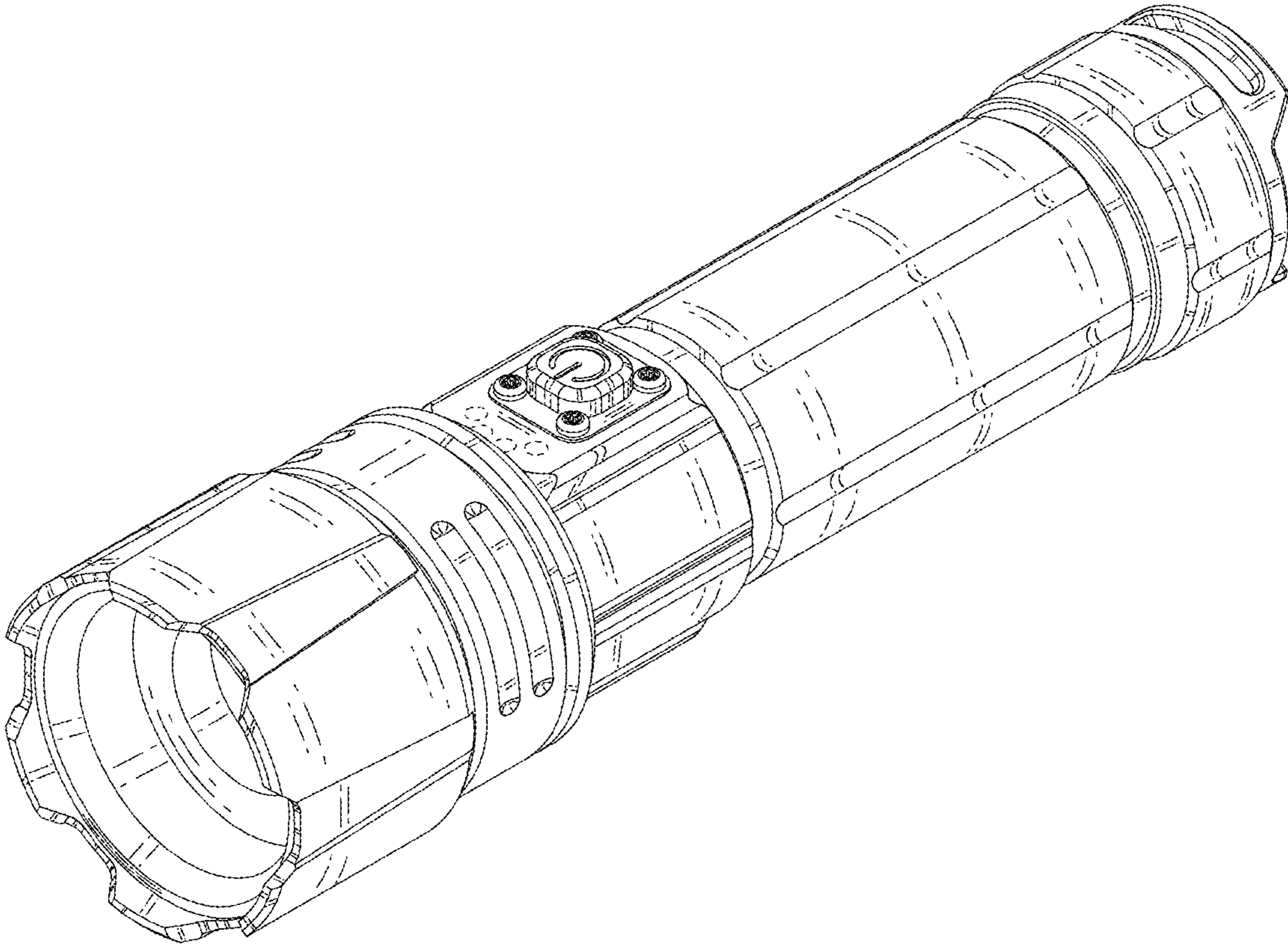


FIG.1

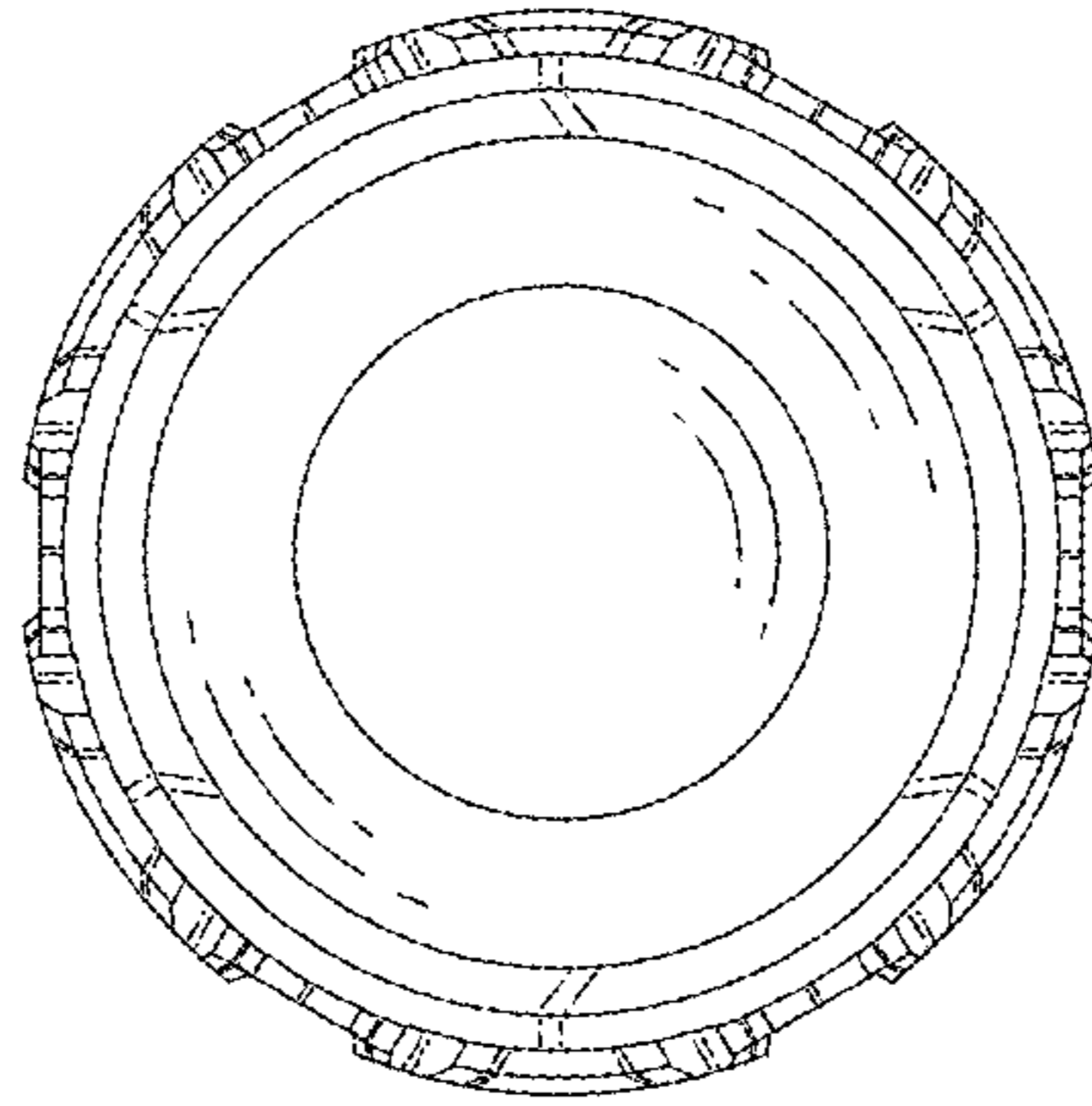


FIG.2

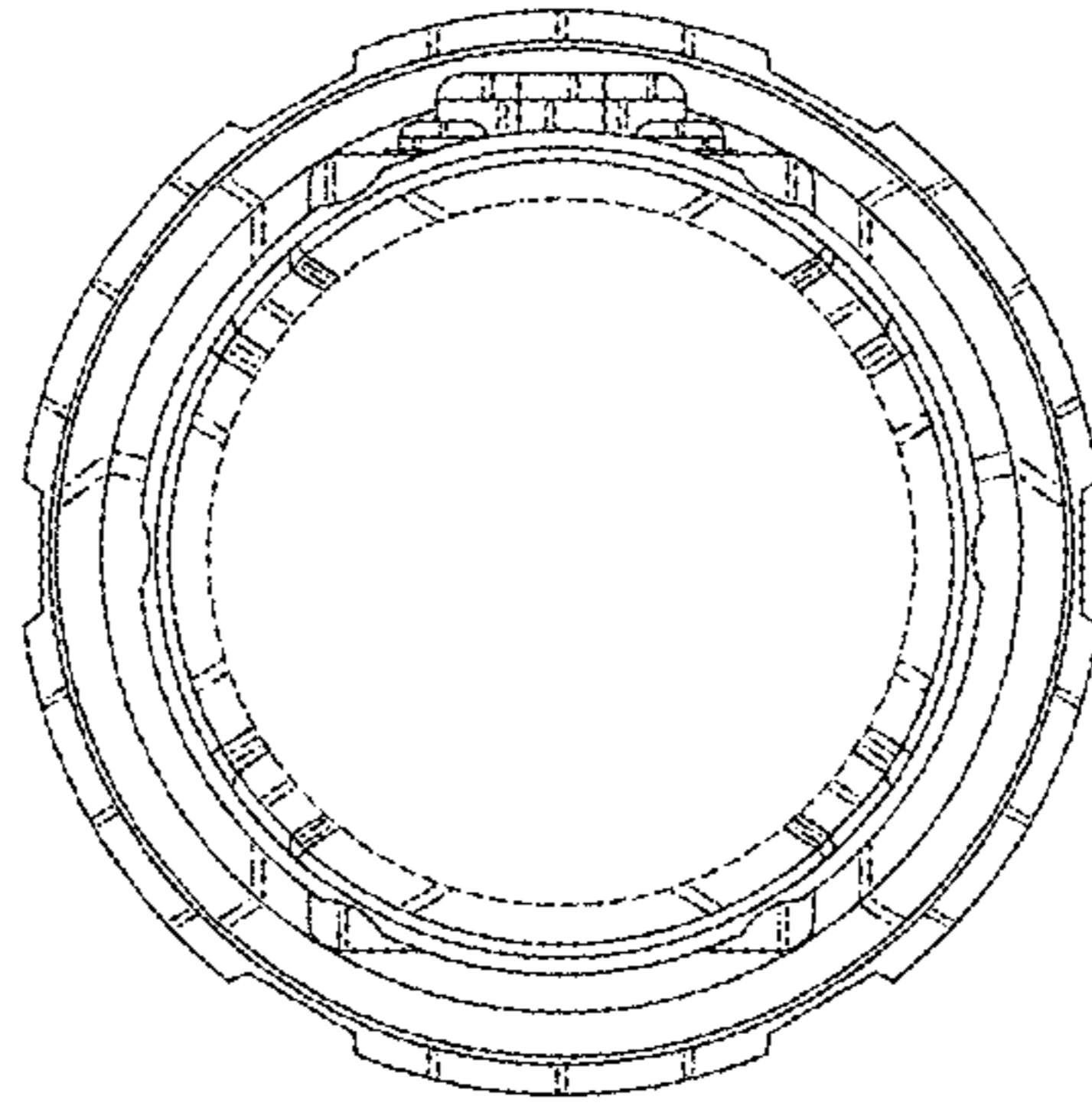


FIG.3

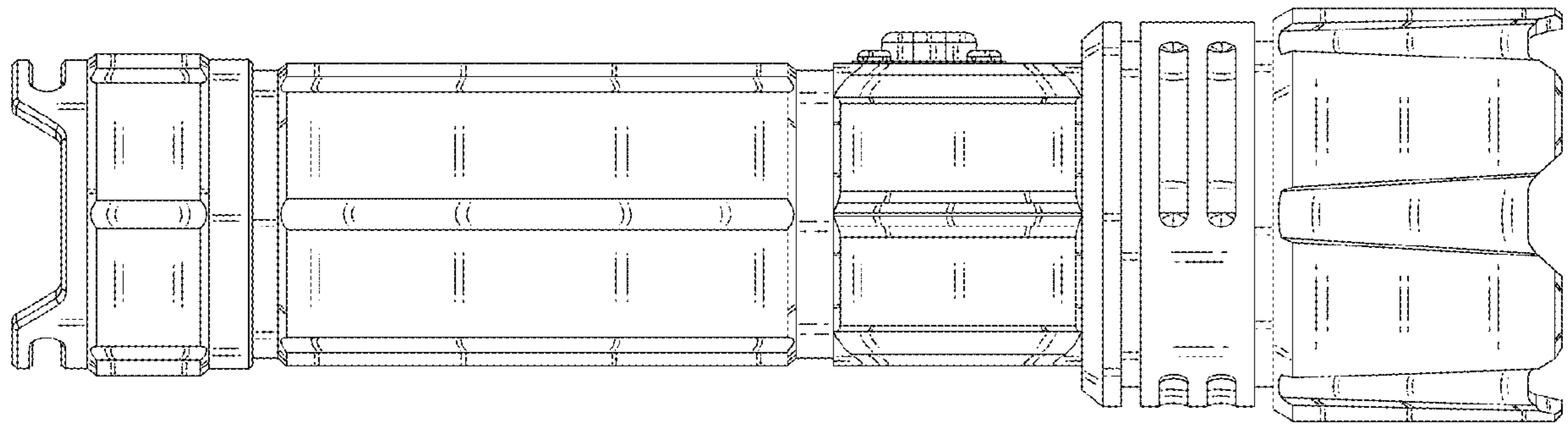


FIG.4

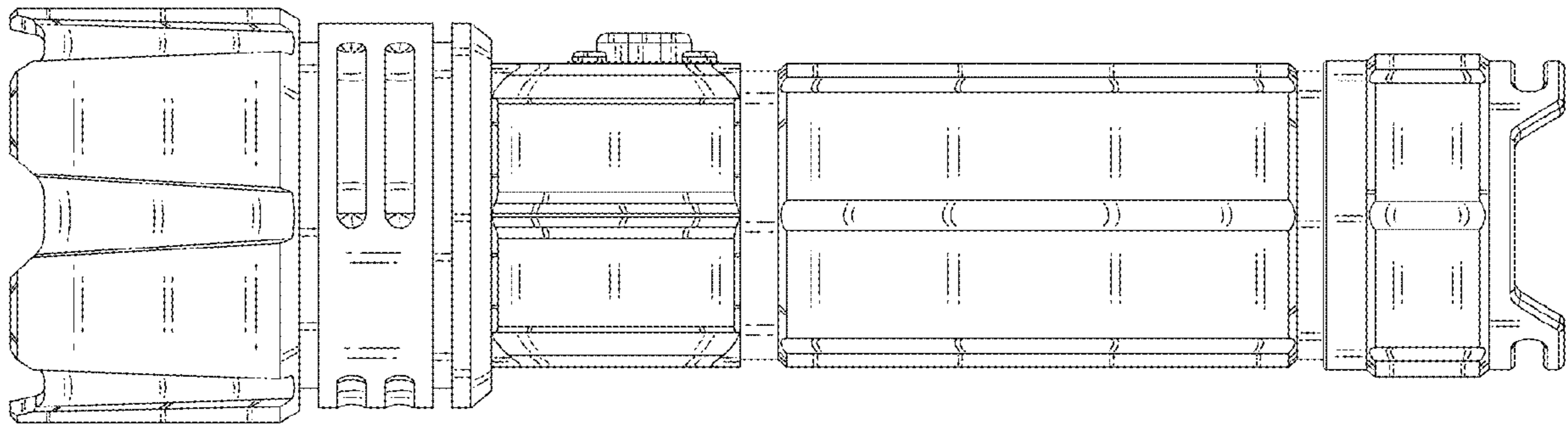


FIG.5

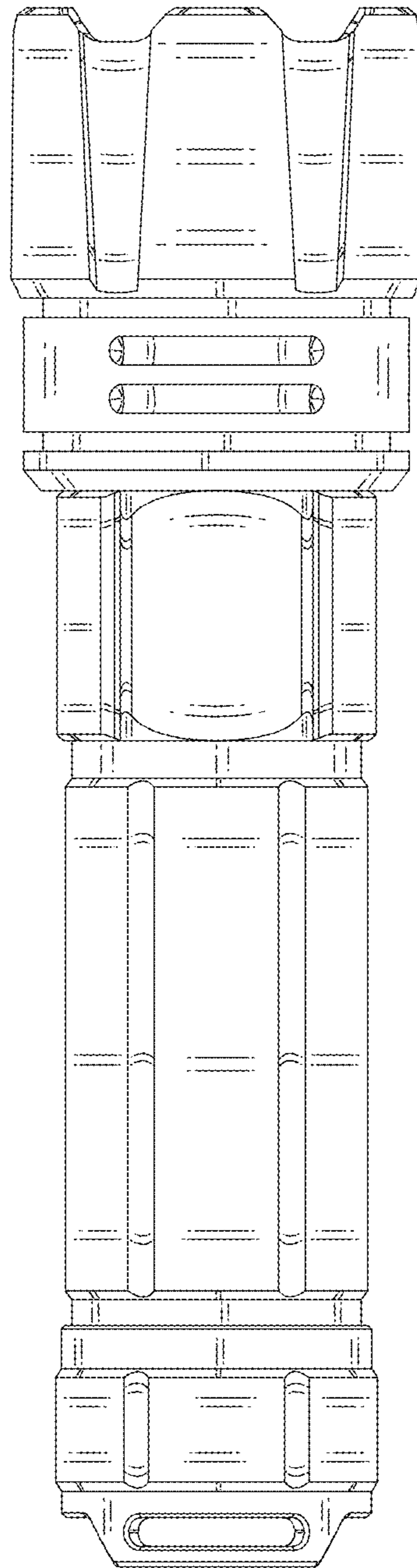


FIG.6

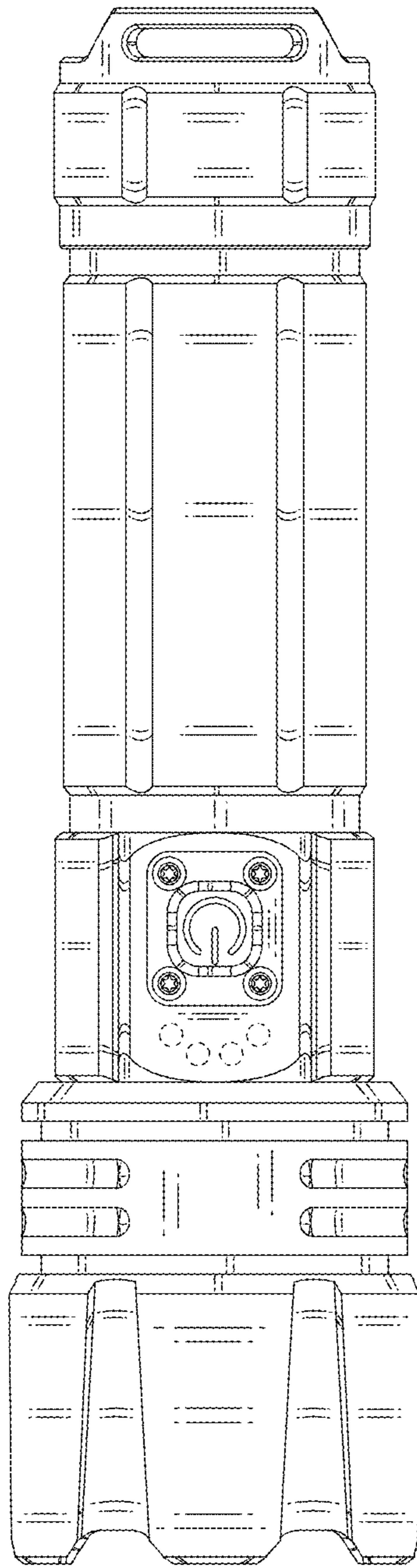


FIG.7