



US00D981021S

(12) **United States Design Patent**  
**Xiao et al.**

(10) **Patent No.:** **US D981,021 S**  
(45) **Date of Patent:** **\*\* Mar. 14, 2023**

(54) **FLASHLIGHT**

(71) Applicant: **Ledlenser GmbH & Co. KG**, Solingen (DE)

(72) Inventors: **Bin Xiao**, Düsseldorf (DE); **André Kunzendorf**, Wuppertal (DE)

(73) Assignee: **LEDLENSER GMBH & CO. KG**, Solingen (DE)

(\*\*) Term: **15 Years**

(21) Appl. No.: **29/736,149**

(22) Filed: **May 28, 2020**

(30) **Foreign Application Priority Data**

Dec. 18, 2019 (EM) ..... 007423587-0002  
Dec. 18, 2019 (EM) ..... 007423587-0004

(51) **LOC (14) Cl.** ..... **26-02**

(52) **U.S. Cl.**  
USPC ..... **D26/49**

(58) **Field of Classification Search**

USPC ..... D26/24, 37-51, 113  
CPC ..... F21Y 2115/10; F21Y 2113/13; F21Y 2101/00; F21Y 2103/10; F21Y 2107/40; F21Y 2105/10; F21Y 2105/18; F21Y 2113/00; F21Y 2113/10; F21Y 2113/17; F21Y 2113/20; F21L 4/005; F21L 4/027; F21L 4/085; F21L 4/08; F21L 4/045; F21L 4/00; F21L 4/02; F21L 4/022; F21L 4/04; F21L 4/025; F21L 13/00; F21L 14/02; F21L 2/00; F21V 23/0414; F21V 23/0428; F21V 23/0421; F21V 21/0965; F21V 15/01; F21V 21/0885; F21V 21/406; F21V 23/0407; F21V 23/06; F21V 33/0064; F21V 33/0084; F21V 14/025; F21V 23/04; F21V 14/065; F21V 21/084; F21V 23/003; F21V 5/006; F21V 5/04; F21V 21/08; F21V 23/0435; F21V 23/0464; F21V 31/00; F21V 31/005; F21V 31/0076; F21V 33/008; F21V 7/0075; F21V 14/045; F21V 15/012; F21V 17/12; F21V 19/02; F21V 21/0816; F21V 21/0925; F21V 21/30; F21V 23/0471; F21V 3/00; F21V 13/045; F21V

17/10; F21V 21/096; F21V 21/145; F21V 23/023; F21V 23/0442; F21V 29/70; F21V 33/0068; F21V 9/083; F21V 9/20; F21V 11/08; F21V 13/14; F21V 14/04; F21V 14/06; F21V 14/085; F21V 15/00; F21V 17/002; F21V 17/02;

(Continued)

(56) **References Cited**

U.S. PATENT DOCUMENTS

D465,045 S \* 10/2002 Yamamoto ..... D26/49  
D507,366 S \* 7/2005 Opolka ..... D26/37  
(Continued)

FOREIGN PATENT DOCUMENTS

CN 201430151081 \* 12/2014  
CN 2020360722128.5 \* 4/2021  
(Continued)

*Primary Examiner* — Marissa J Cash  
*Assistant Examiner* — William B Melliar  
(74) *Attorney, Agent, or Firm* — Alston & Bird LLP

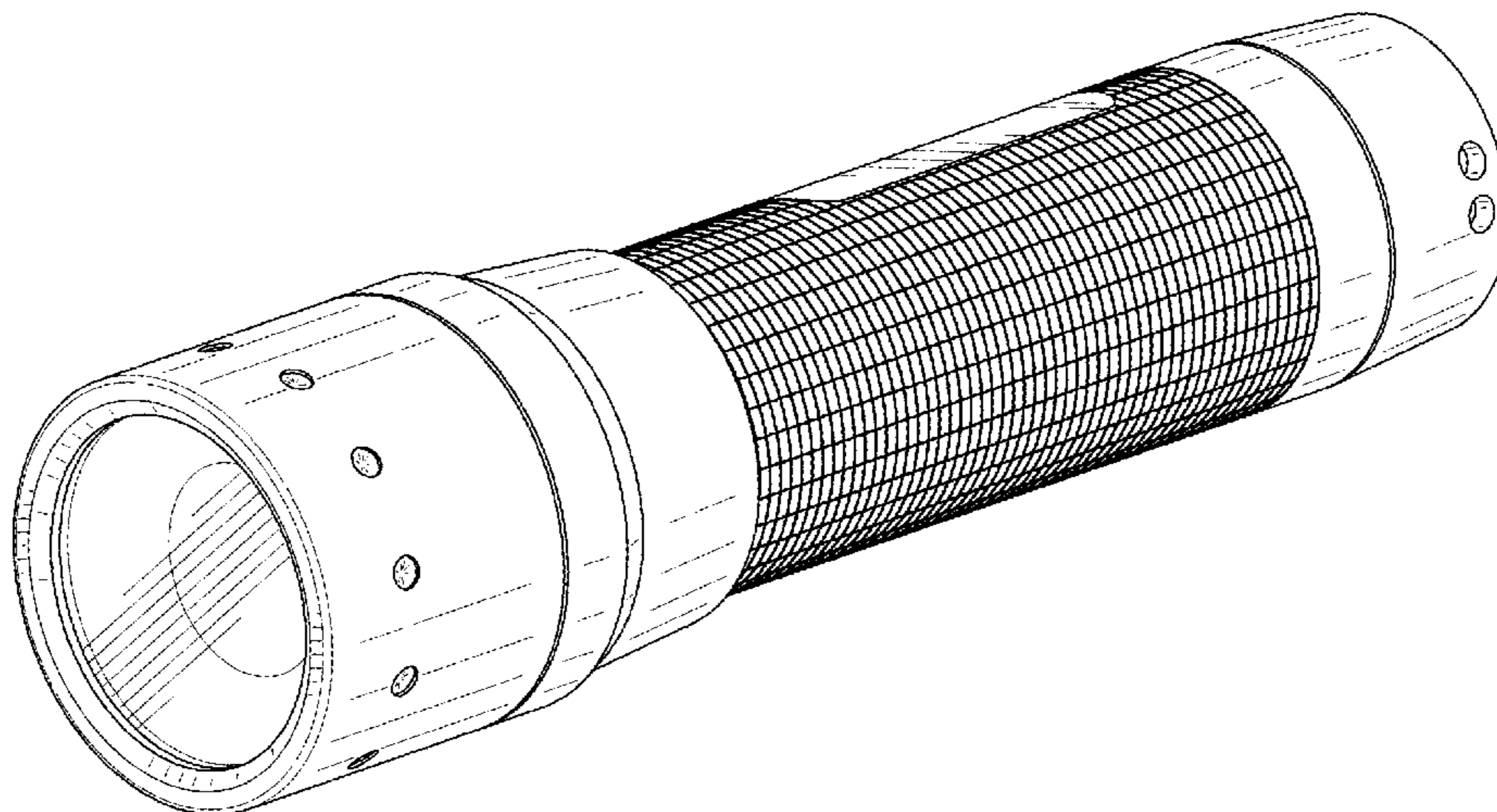
(57) **CLAIM**

The ornamental design for a flashlight, as shown and described.

**DESCRIPTION**

FIG. 1 is a perspective view of a flashlight according to our new design;  
FIG. 2 is a front elevation view thereof;  
FIG. 3 is a rear elevation view thereof;  
FIG. 4 is a top elevation view thereof;  
FIG. 5 is a bottom plan view thereof;  
FIG. 6 is a right side elevation view thereof; and,  
FIG. 7 is a left side elevation view thereof.  
The broken lines in the FIG. 3 of the drawings depict portions of the flashlight that form no part of the claimed design.

**1 Claim, 4 Drawing Sheets**



**(58) Field of Classification Search**

CPC ..... F21V 17/06; F21V 17/105; F21V 17/107;  
 F21V 19/001; F21V 19/047; F21V 21/00;  
 F21V 21/002; F21V 21/06; F21V 21/14;  
 F21V 21/22; F21V 21/26; F21V 21/32;  
 F21V 23/001; F21V 23/002; F21V  
 23/005; F21V 23/02; F21V 23/045; F21V  
 23/0492; F21V 25/04; F21V 29/15; F21V  
 29/503; F21V 29/508; F21V 29/713;  
 F21V 29/763; F21V 29/767; F21V 29/89;  
 F21V 29/90; F21V 33/00; F21V 33/0004;  
 F21V 33/0036; F21V 33/0052; F21V  
 3/02; F21V 5/00; F21V 5/008; F21V  
 5/046; F21V 5/048; F21V 5/08; F21V  
 7/00; F21V 7/008; F21V 7/0083; F21V  
 7/0091; F21V 7/04; F21V 7/041; F21V  
 7/06; F21V 7/22; F21V 7/24; F41G 1/35;  
 F41G 11/003; F41G 1/34; F41G 1/345;  
 F41G 11/001; F41G 1/36; F41G 3/2655;  
 B25F 1/04

See application file for complete search history.

**(56)**

**References Cited**

U.S. PATENT DOCUMENTS

D551,366	S	*	9/2007	Galli .....	D26/37
D557,836	S	*	12/2007	Shiu .....	D26/37
D557,840	S	*	12/2007	Shiu .....	D26/37
D629,546	S	*	12/2010	Deguglimo .....	D26/49
D685,940	S	*	7/2013	Lee .....	D26/49
D706,475	S	*	6/2014	Lee .....	D26/49
D744,137	S	*	11/2015	Ma .....	D26/49
D783,193	S	*	4/2017	Kao .....	D26/49
D823,510	S	*	7/2018	Kunzendorf .....	D26/49
D831,870	S	*	10/2018	Gassauer .....	D26/49
D855,229	S	*	7/2019	Bertken .....	D26/49
D897,579	S	*	9/2020	Le .....	D26/37
D922,641	S	*	6/2021	Hu .....	D26/49
D941,514	S	*	1/2022	Xiao .....	D26/49

FOREIGN PATENT DOCUMENTS

JP	D2007-23891	*	7/2009
JP	D2019-26095	*	7/2020

\* cited by examiner

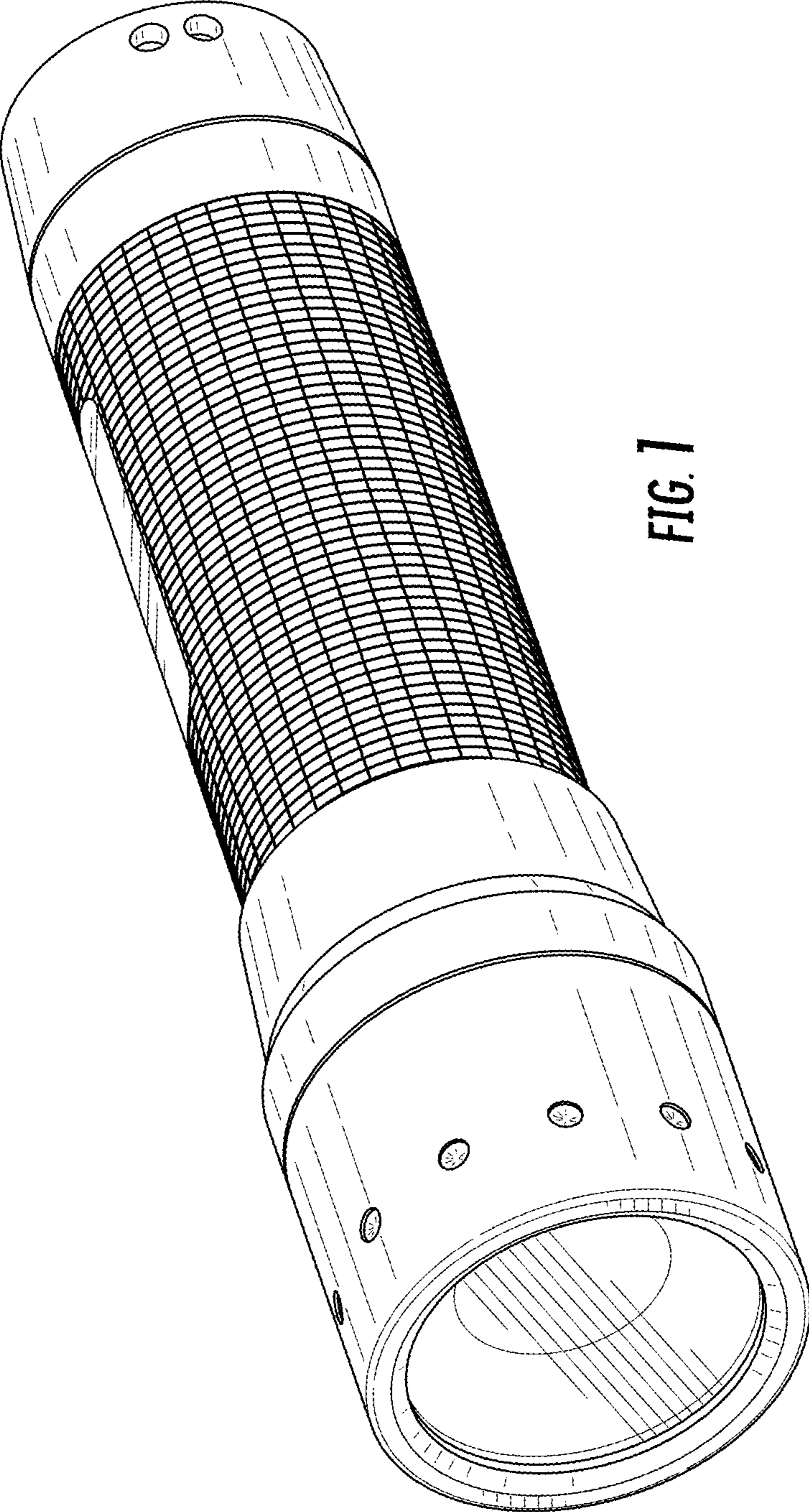
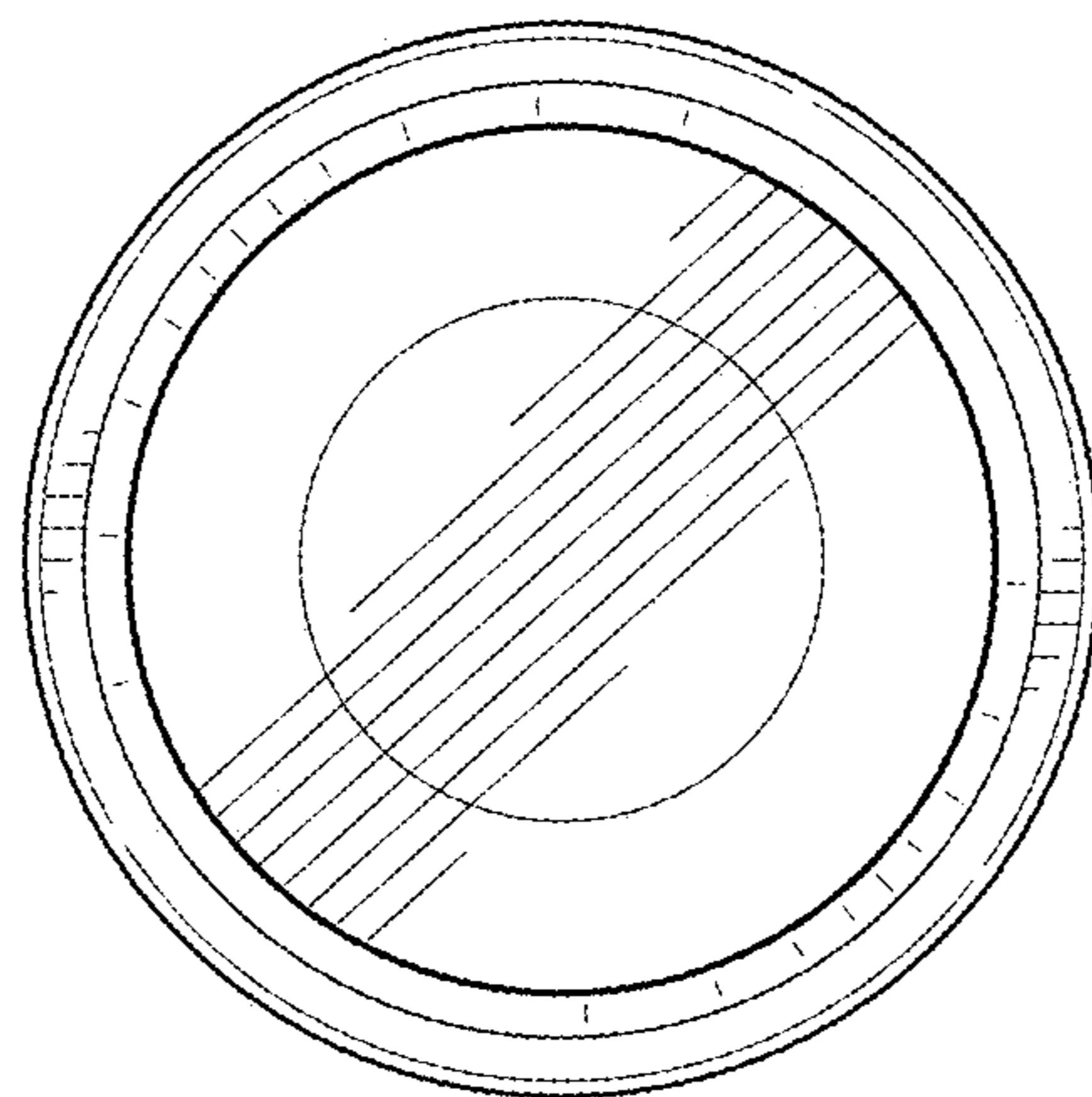
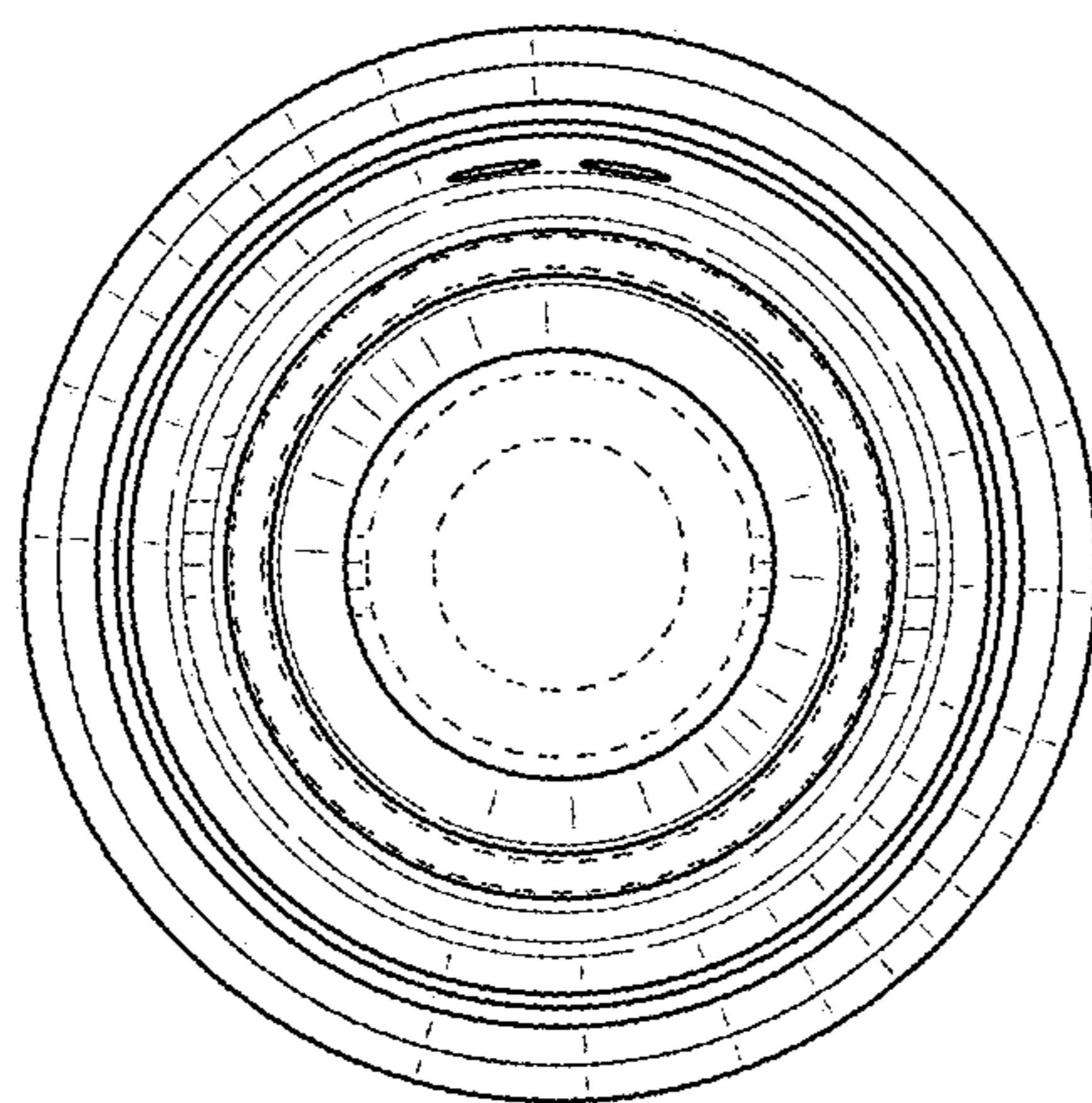


FIG. 1



**FIG. 2**



**FIG. 3**

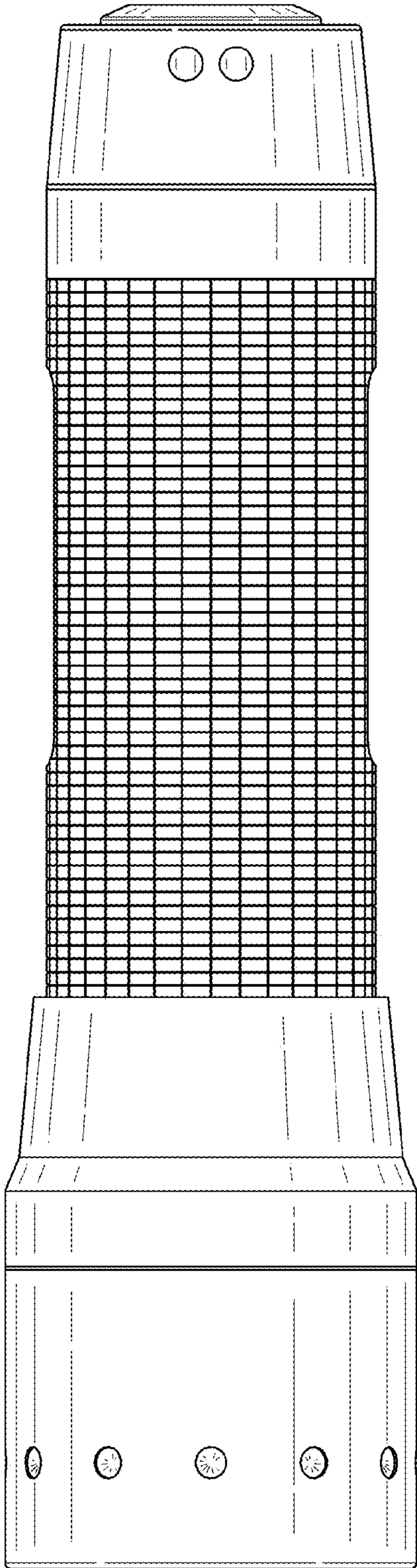


FIG. 4

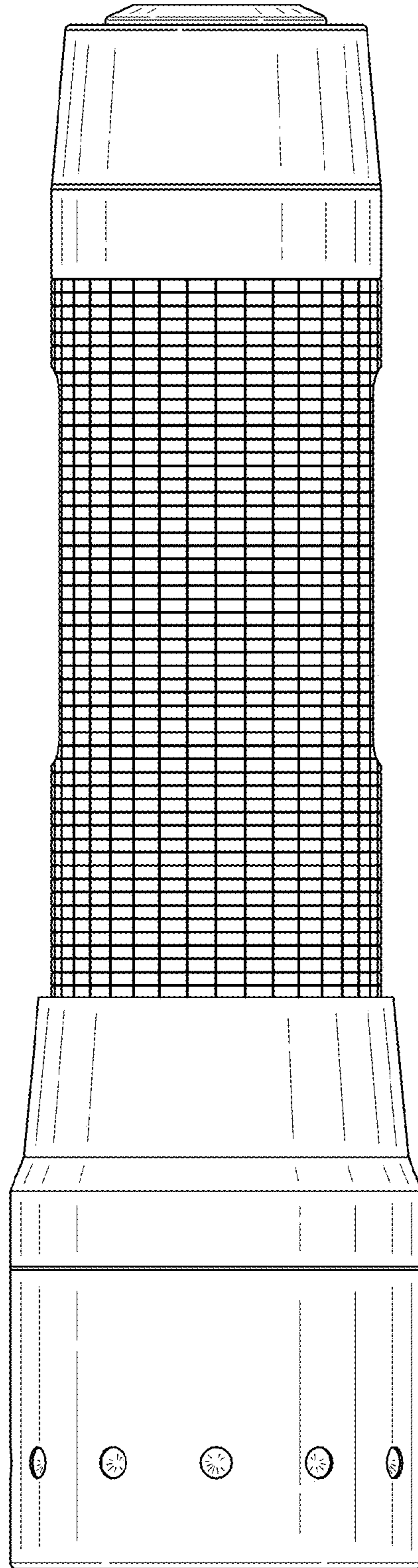


FIG. 5

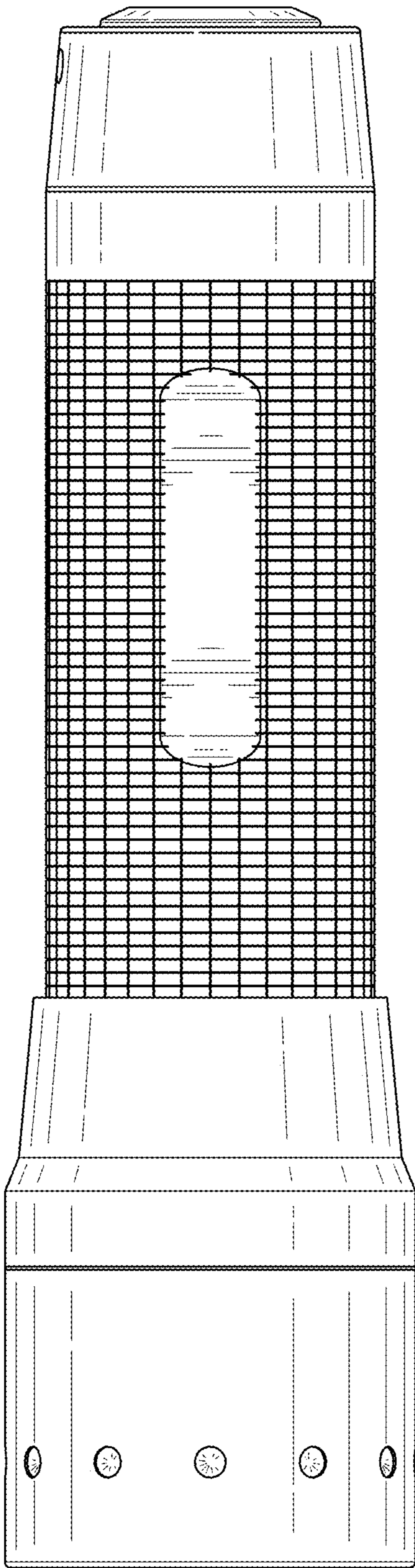


FIG. 6

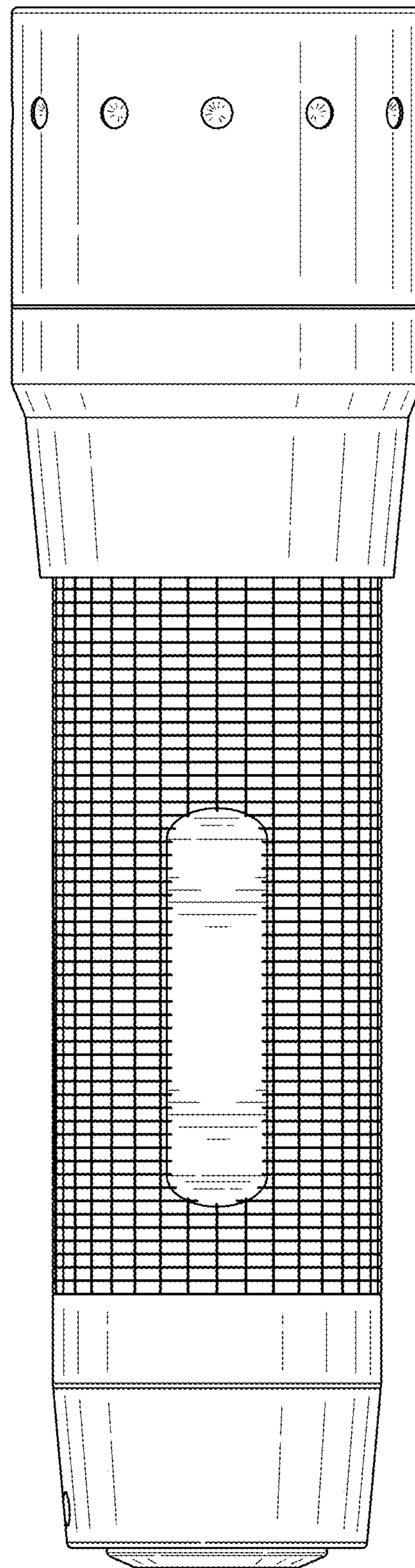


FIG. 7