



US00D981020S

(12) **United States Design Patent**
Liu

(10) **Patent No.:** **US D981,020 S**
(45) **Date of Patent:** **** Mar. 14, 2023**

(54) **HEAD LAMP**

(71) Applicant: **Hebin Liu**, Ankang (CN)

(72) Inventor: **Hebin Liu**, Ankang (CN)

(**) Term: **15 Years**

(21) Appl. No.: **29/859,565**

(22) Filed: **Nov. 11, 2022**

(51) **LOC (14) Cl.** **26-02**

(52) **U.S. Cl.**
USPC **D26/39**

(58) **Field of Classification Search**
USPC **D26/37-50**
See application file for complete search history.

(56) **References Cited**

U.S. PATENT DOCUMENTS

D672,893 S	*	12/2012	Inskeep	D26/39
D680,250 S		4/2013	Opolka		
D721,842 S	*	1/2015	Opolka	D26/39
D742,051 S	*	10/2015	Abernethy	D26/39
D745,731 S		12/2015	Zimmerli et al.		
D821,006 S	*	6/2018	Chen	D26/39
D901,050 S		11/2020	Cavallo		
D901,736 S	*	11/2020	Kunzendorf	D26/39
D923,835 S	*	6/2021	Liu	D26/39
D929,629 S		8/2021	Hur		
D935,656 S	*	11/2021	Xiao	D26/39
D935,657 S	*	11/2021	Xiao	D26/39
D935,658 S	*	11/2021	Xiao	D26/39

D936,257 S	*	11/2021	Xiao	D26/39
D959,036 S	*	7/2022	Westling	D26/39
D963,909 S	*	9/2022	Lu	D26/39
2009/0323317 A1	*	12/2009	Spartano	F21V 23/0414 362/105

* cited by examiner

Primary Examiner — Michael A. Pratt

(57) **CLAIM**

The ornamental design for a head lamp, as shown and described.

DESCRIPTION

FIG. 1 is a front and top perspective view of a head lamp, showing my new design;
 FIG. 2 is a rear and bottom perspective view thereof;
 FIG. 3 is a rear and bottom perspective view thereof;
 FIG. 4 is a front view thereof;
 FIG. 5 is a rear view thereof;
 FIG. 6 is a left side elevation view thereof;
 FIG. 7 is a right side elevation view thereof;
 FIG. 8 is a top plan view thereof;
 FIG. 9 is a bottom plan view thereof;
 FIG. 10 is an enlarged view of the portion, labeled '10' of FIG. 1; and,
 FIG. 11 is an enlarged view of the portion, labeled '11' of FIG. 2.
 The broken lines depict portions of the head lamp in which the design is embodied that form no part of the claimed design.

1 Claim, 11 Drawing Sheets

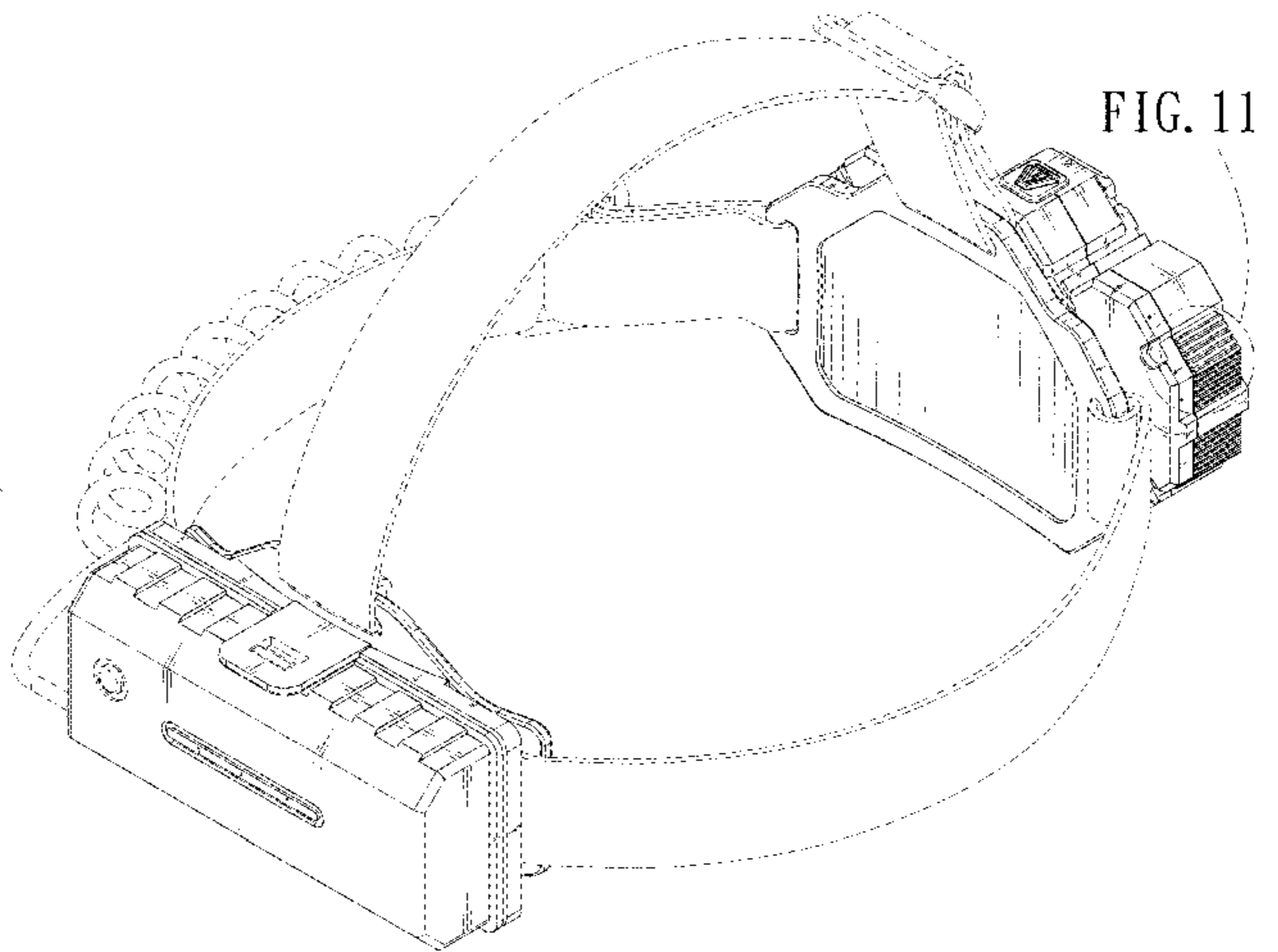
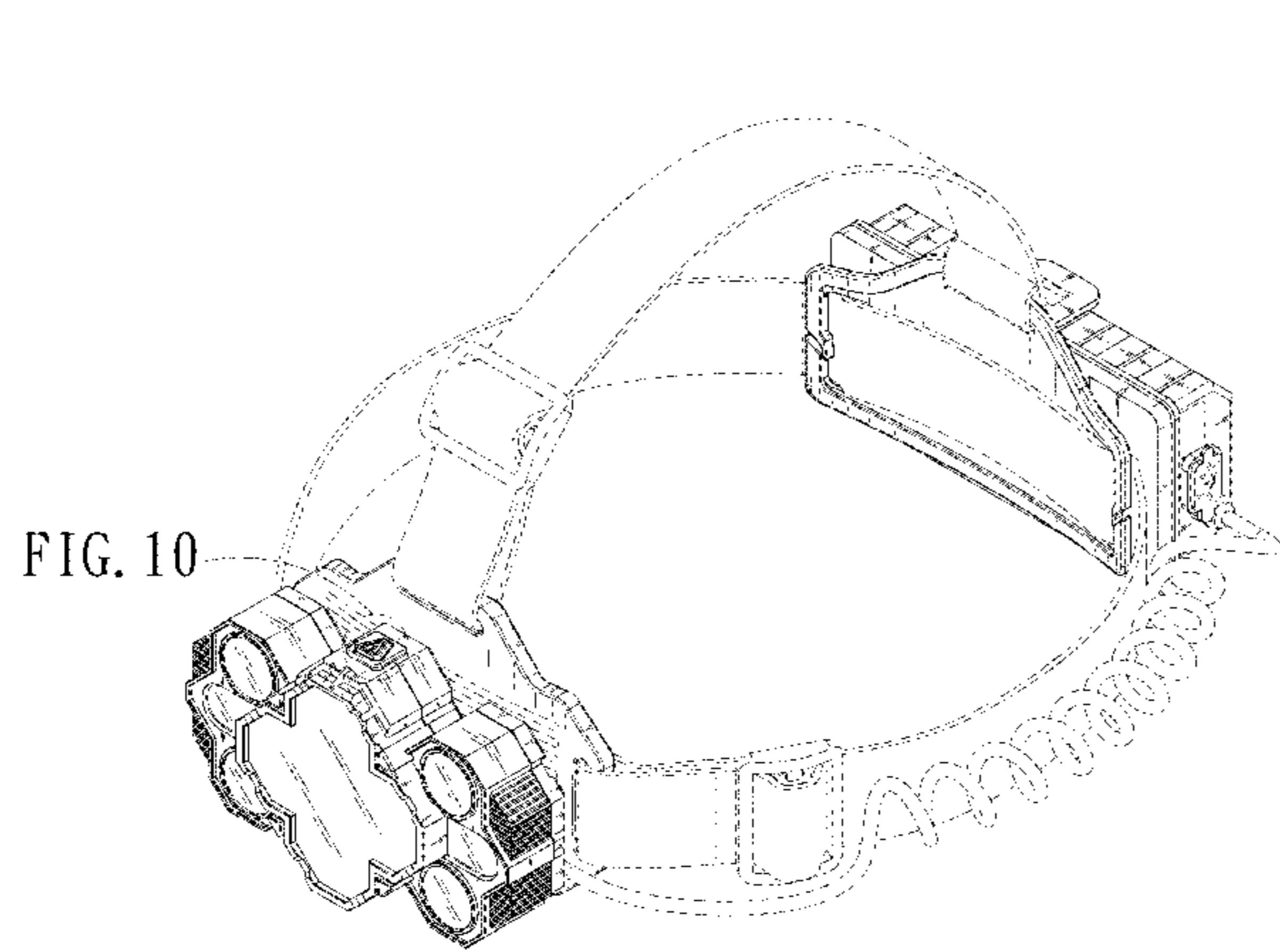


FIG. 10

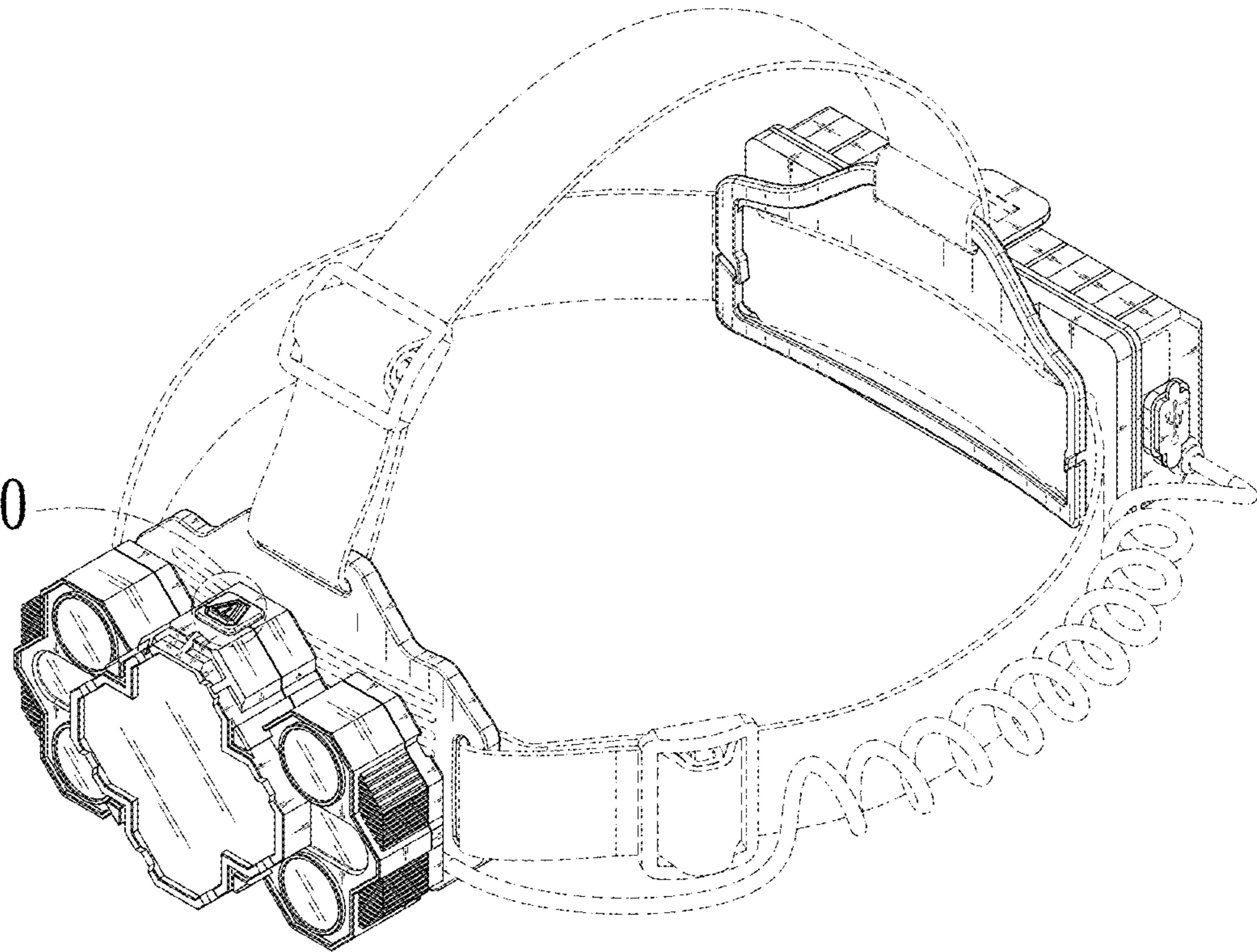


FIG. 1

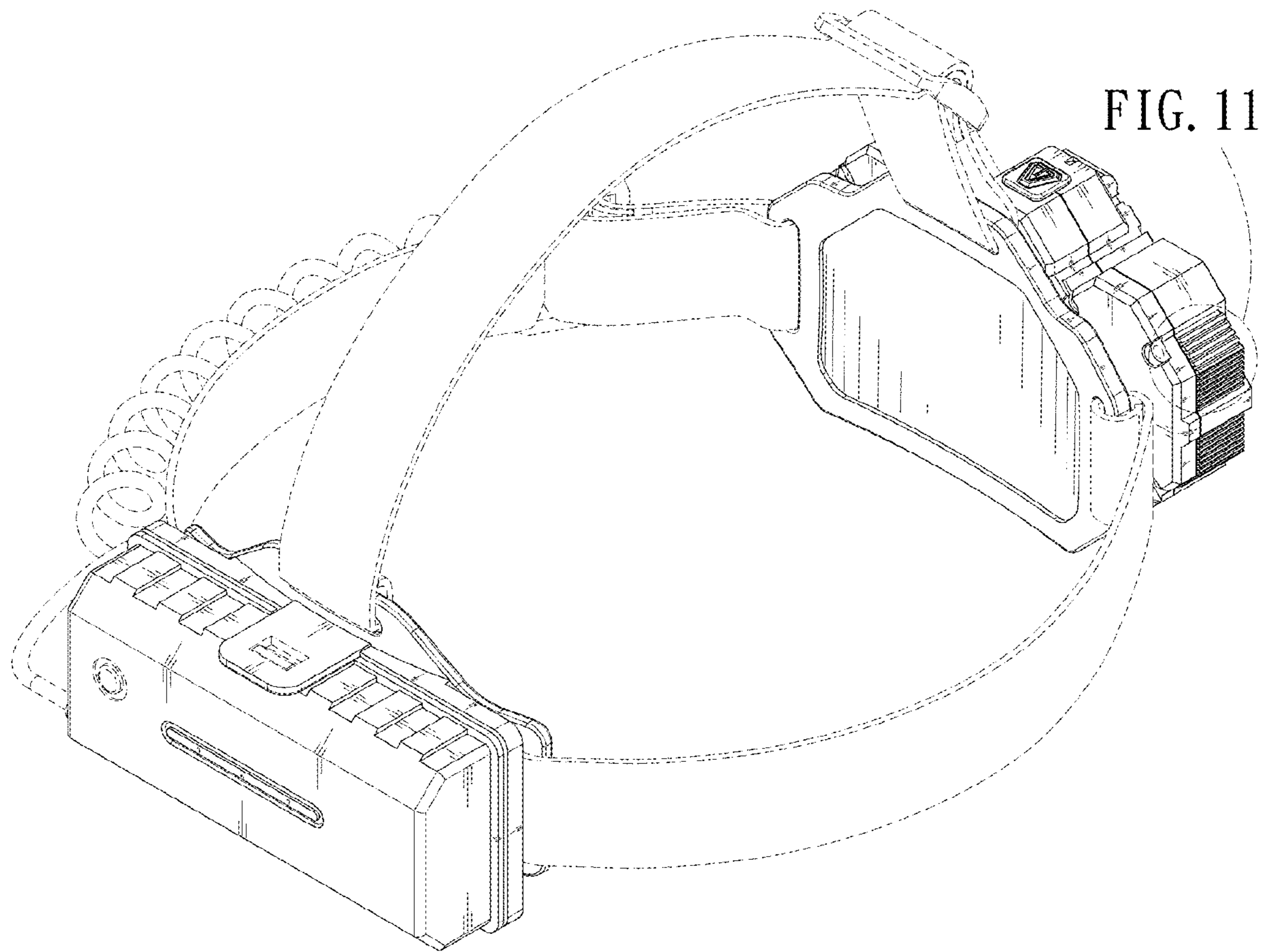


FIG. 11

FIG. 2

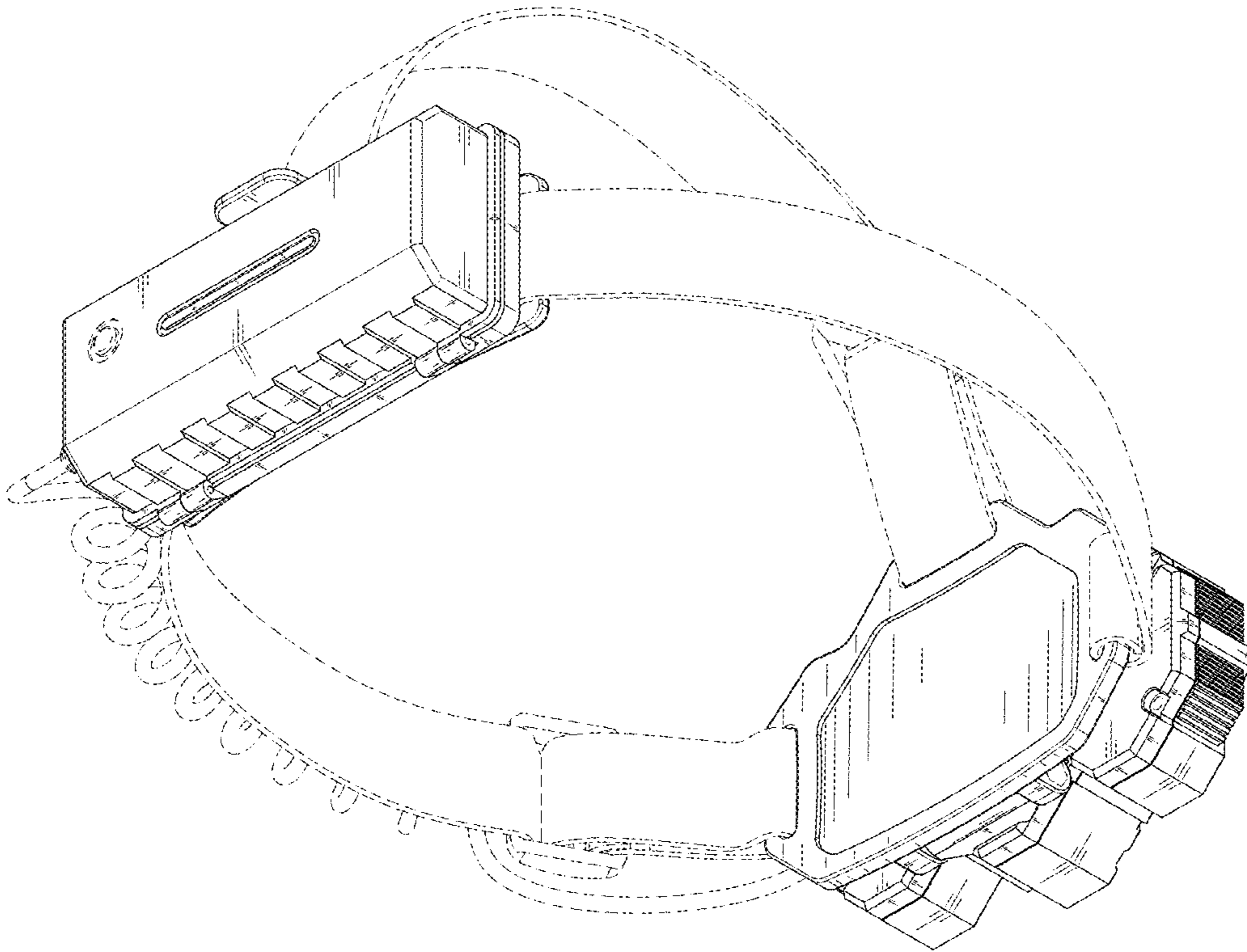


FIG. 3

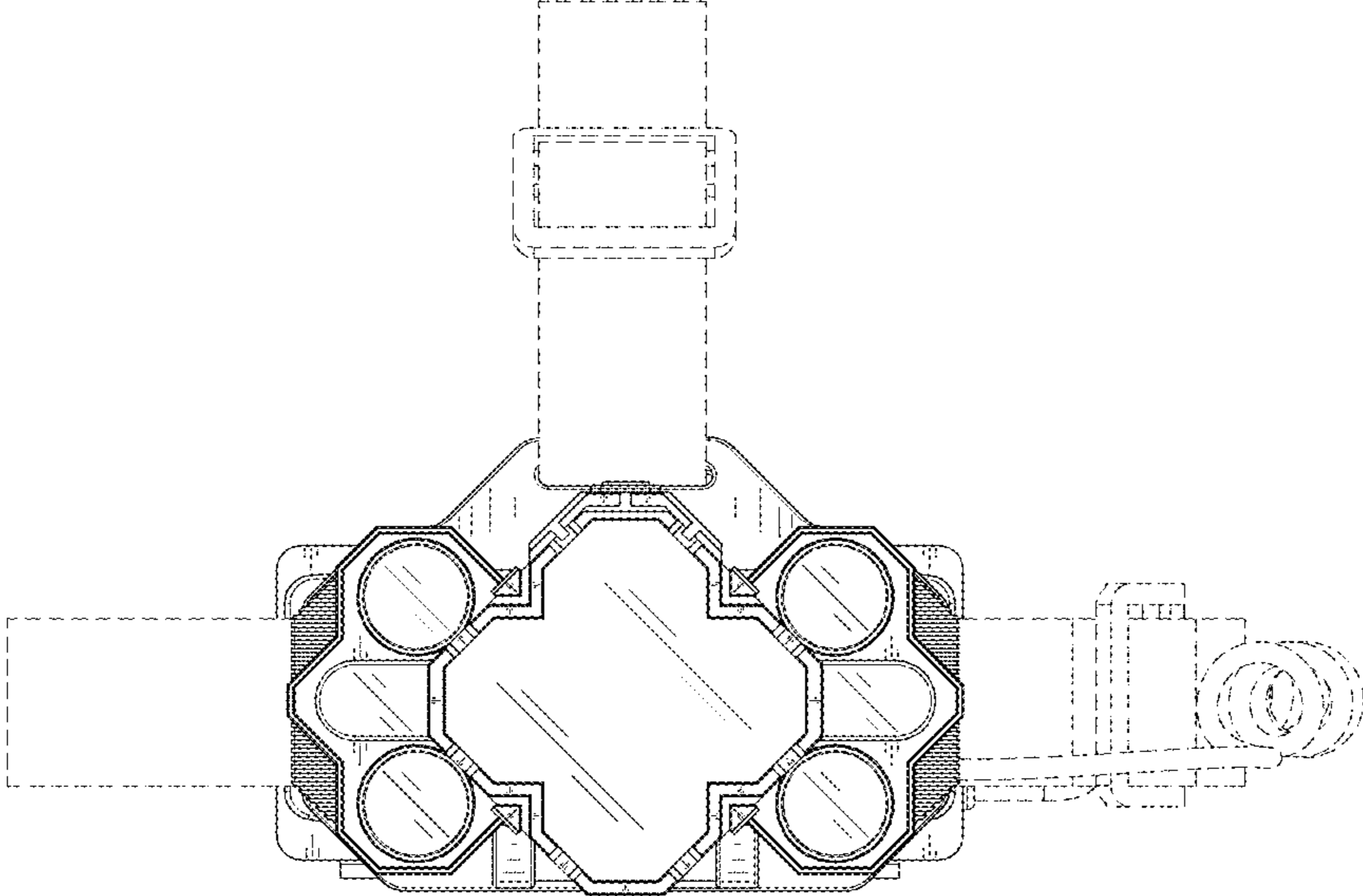


FIG. 4

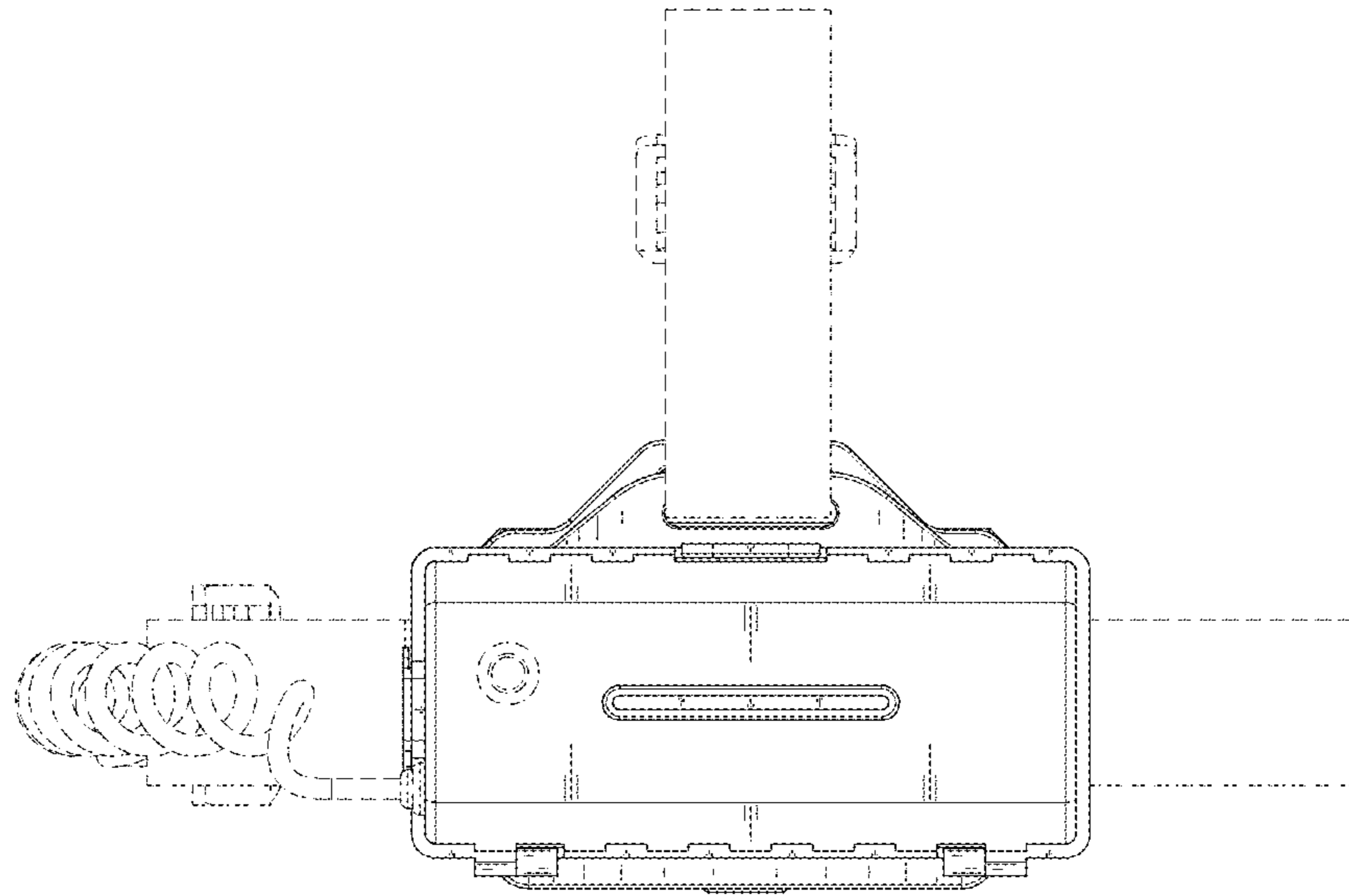


FIG. 5

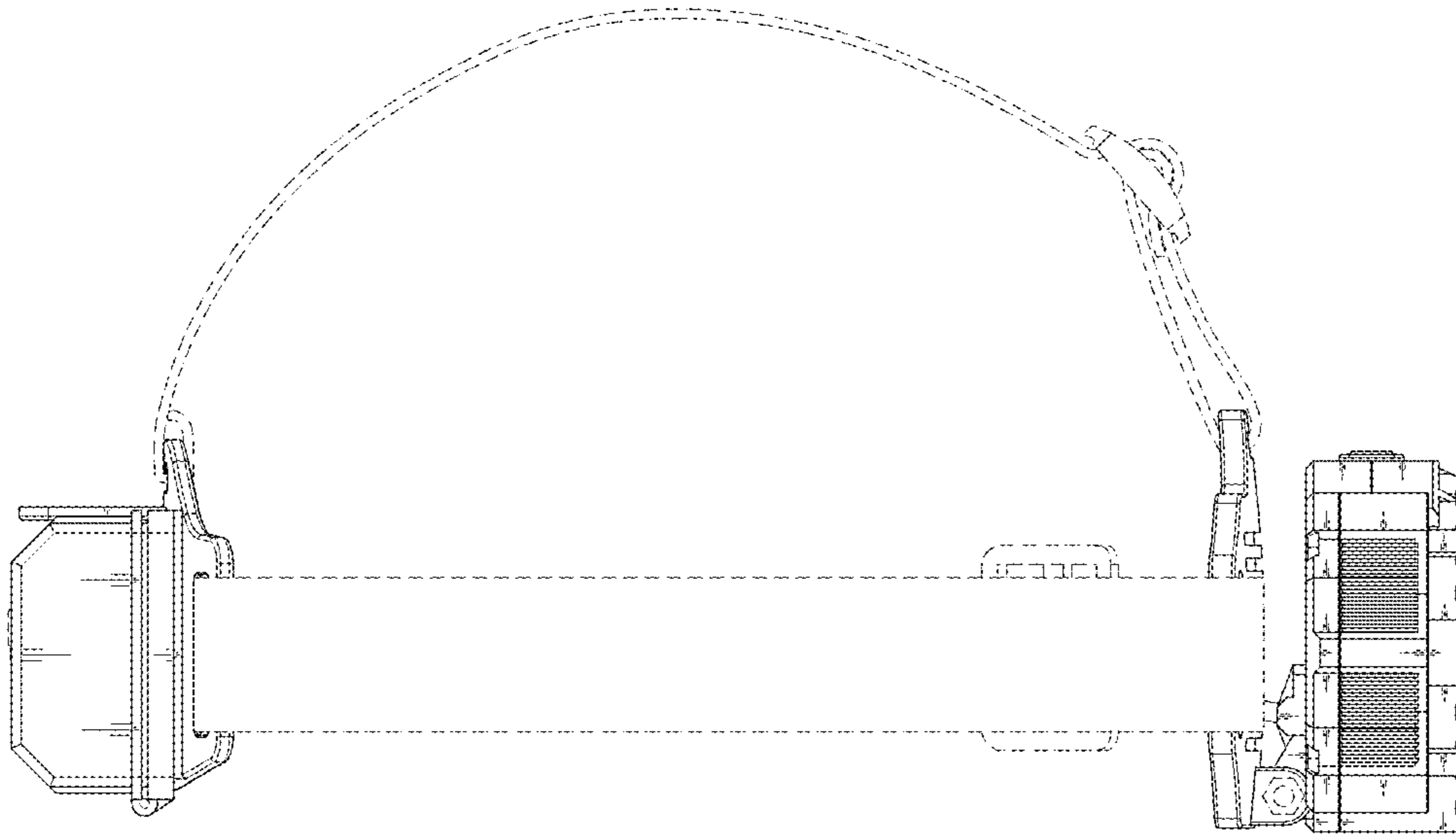


FIG. 6

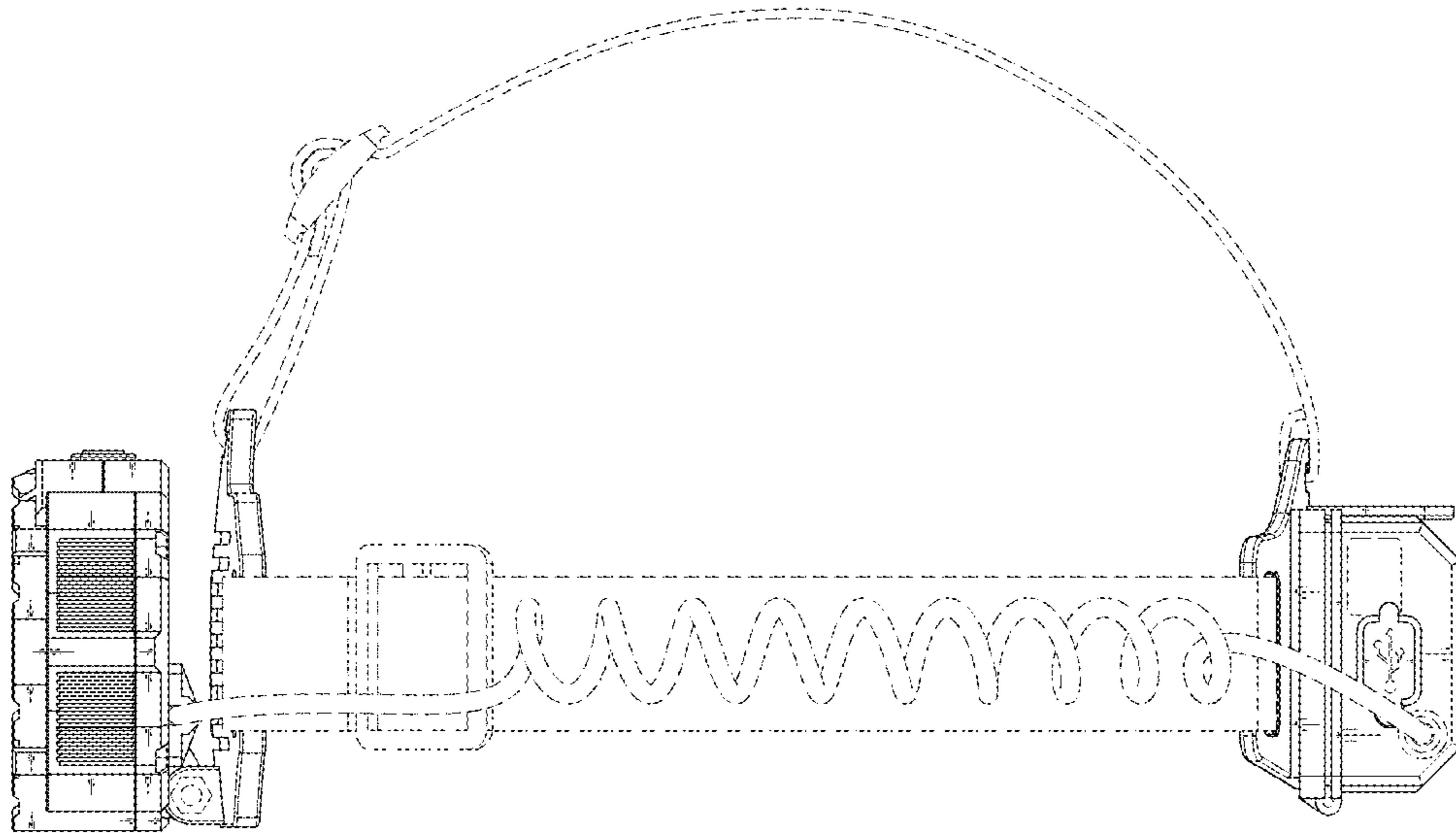


FIG. 7

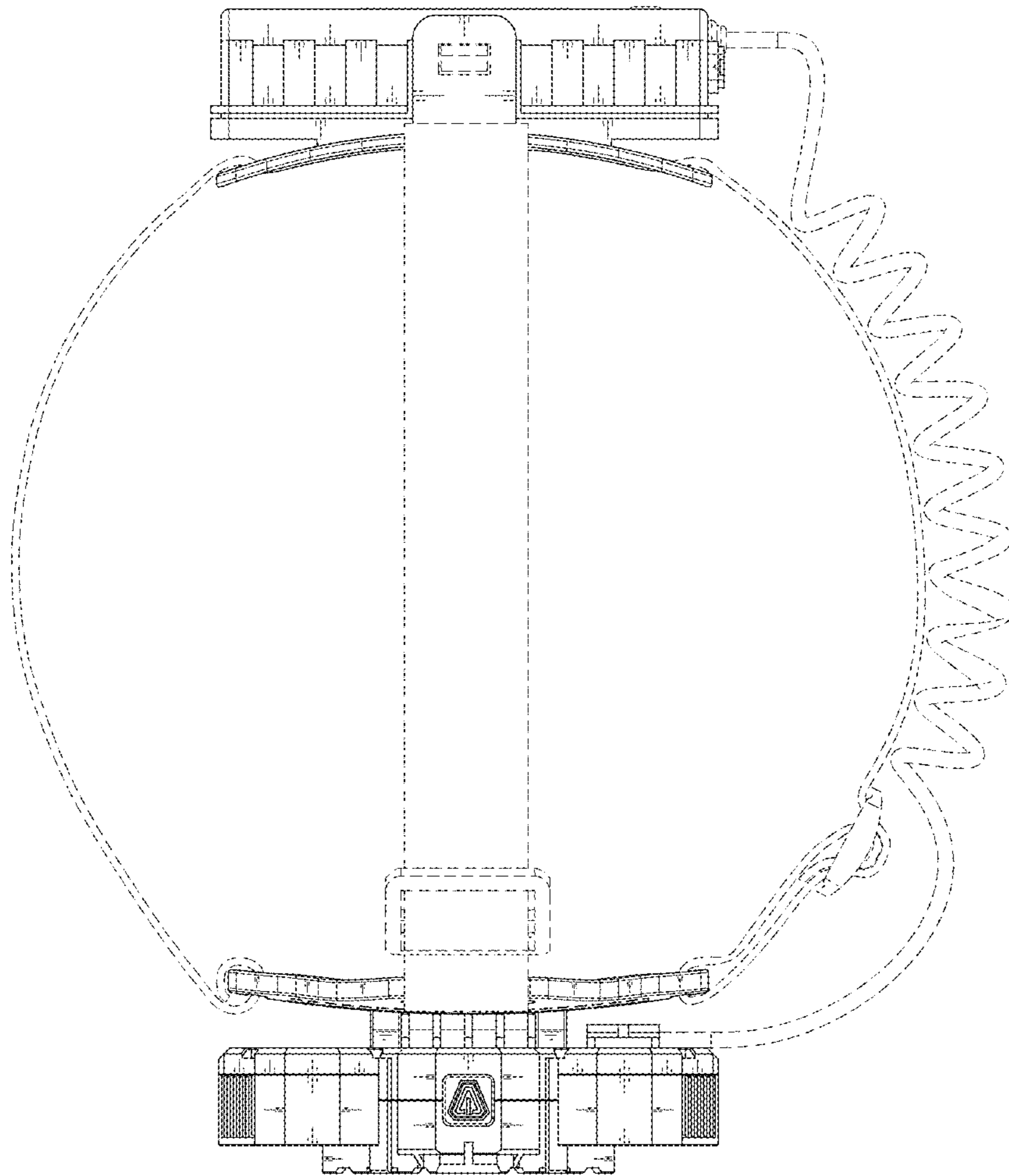


FIG. 8

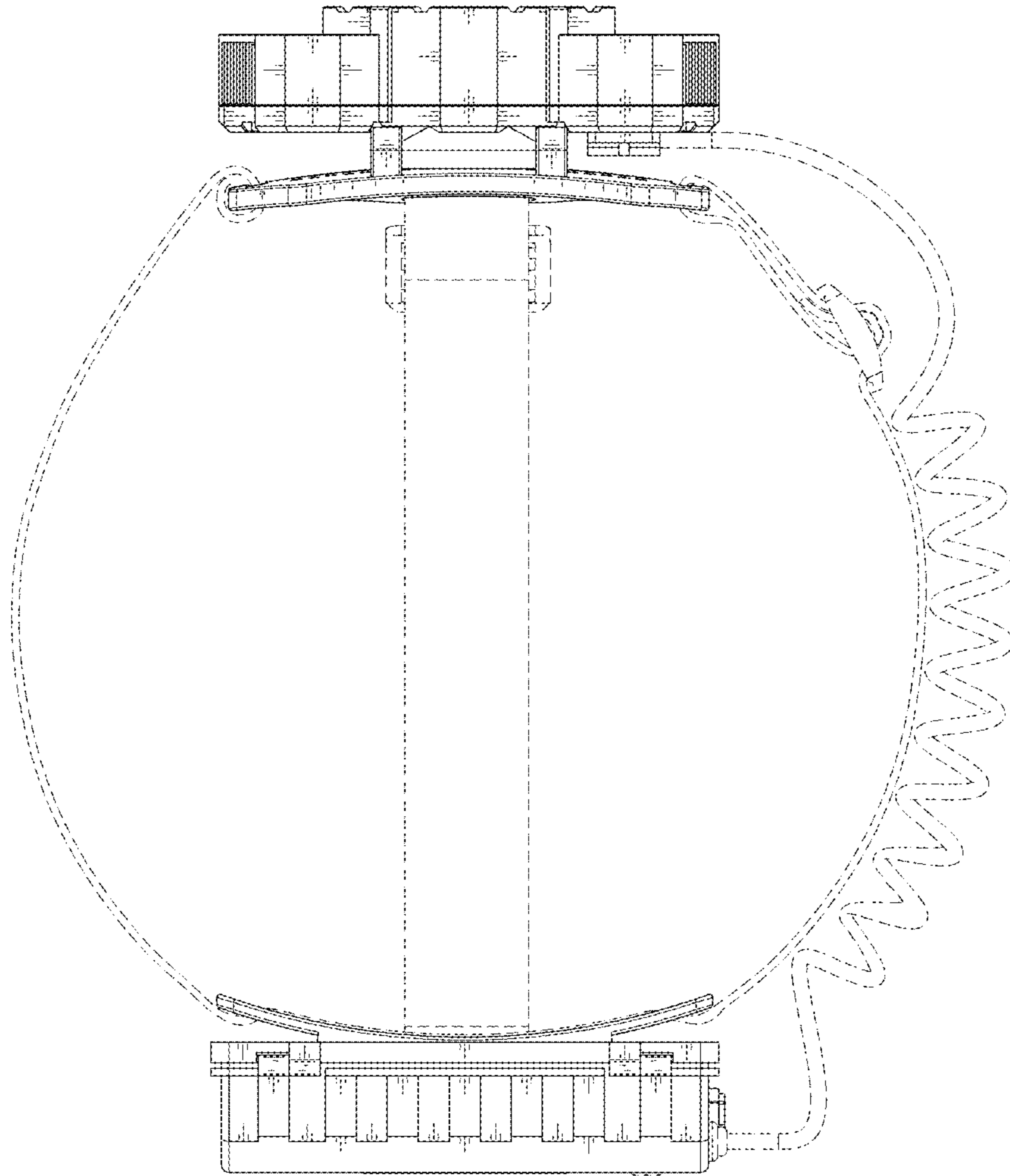


FIG. 9

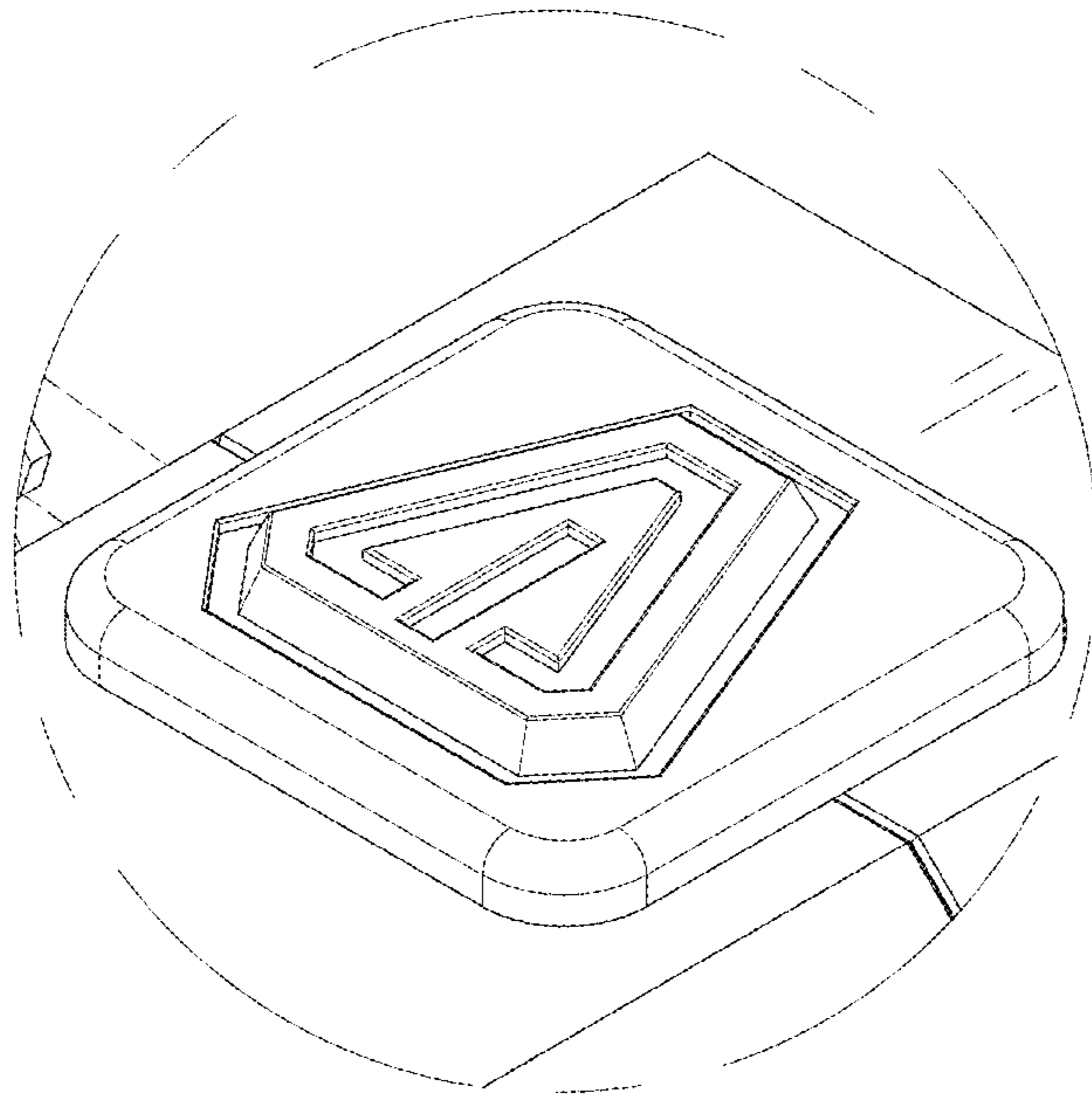


FIG. 10

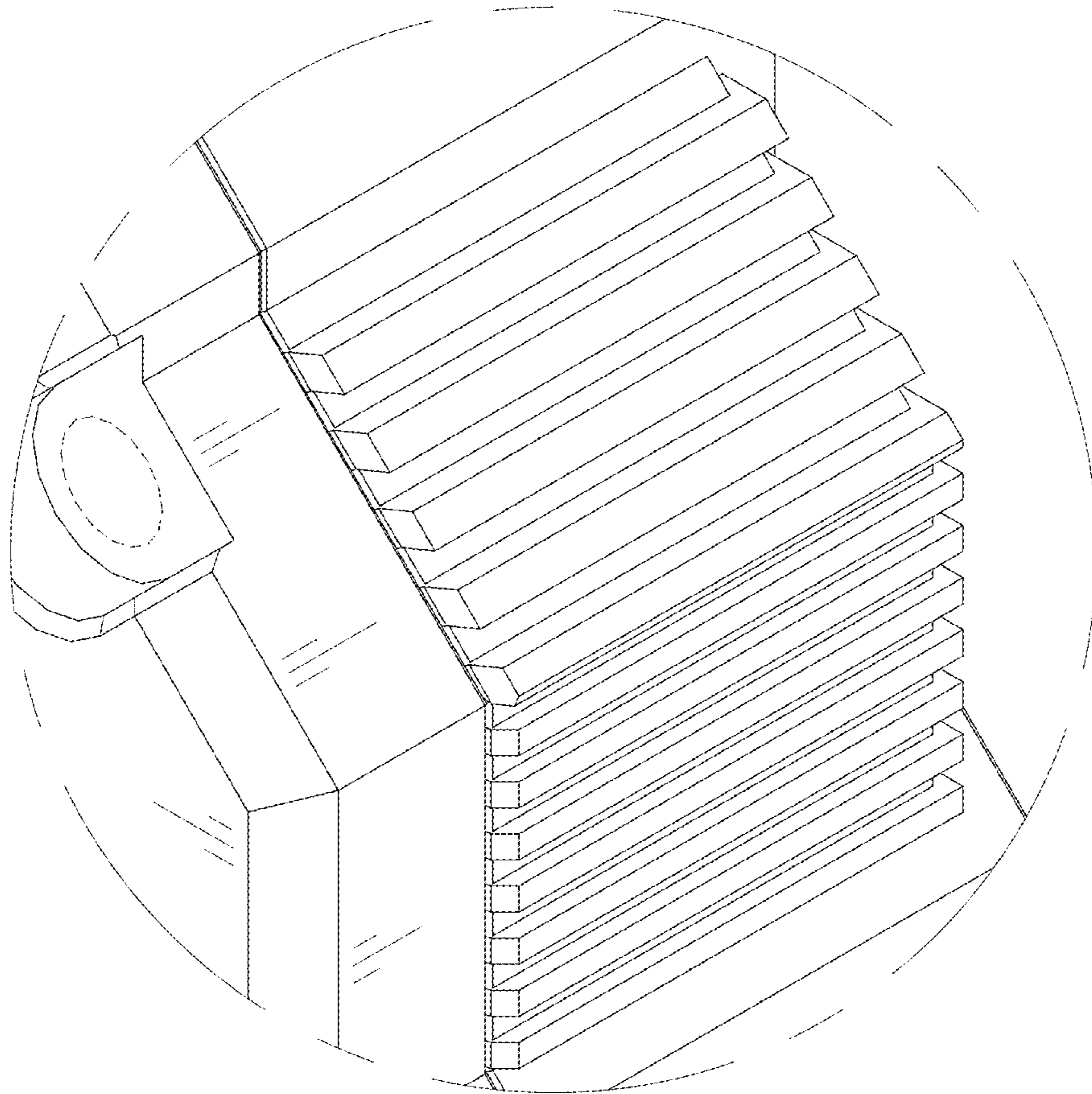


FIG. 11