



US00D981019S

(12) **United States Design Patent**
Grandadam

(10) **Patent No.:** **US D981,019 S**
(45) **Date of Patent:** **** Mar. 14, 2023**

(54) **PORTABLE LIGHTING DEVICE**

FOREIGN PATENT DOCUMENTS

(71) Applicant: **Promier Products Inc.**, Peru, IL (US)

CN 201875563 6/2011
CN 201926621 5/2012

(72) Inventor: **Cody Duane Grandadam**, Peru, IL
(US)

(Continued)

OTHER PUBLICATIONS

(73) Assignee: **Promier Products Inc.**, Peru, IL (US)

Fentec COB Handheld Flashlights. By Fentec. Dated Oct. 21, 2021. Found online [Apr. 18, 2022]. https://www.amazon.com/Fentec-COB-Flashlights-Keychain-Rechargeable/dp/B09JYM6Z2B/ref=sr_1_55?crid=397ILNYH8CC9W&keywords=pocket+light&qid=1650282465&sprefix=pocket+light%2Caps%2C86&sr=8-55 (Year: 2021).*

(**) Term: **15 Years**

(21) Appl. No.: **29/725,705**

(22) Filed: **Feb. 26, 2020**

(Continued)

(51) **LOC (14) Cl.** **26-02**

(52) **U.S. Cl.**

USPC **D26/37**

(58) **Field of Classification Search**

USPC D26/24, 37-52, 60, 113, 138

CPC F21Y 2115/10; F21Y 2103/10; F21Y

2113/13; F21Y 2105/00; F21Y 2105/10;

F21Y 2101/00; F21L 4/00; F21L 4/04;

F21L 4/027; F21L 2/00; F21L 4/005;

F21L 4/045; F21L 14/02; F21L 4/085;

F21V 23/0414; F21V 21/0885; F21V

21/08; F21V 21/145; F21V 15/01; F21V

14/065; F21V 9/083; F21V 27/005; F21V

13/045; F21V 21/0925; F21V 14/085

See application file for complete search history.

Primary Examiner — Marissa J Cash

Assistant Examiner — William B Melliar

(74) *Attorney, Agent, or Firm* — Barnes & Thornburg

LLP

(57)

CLAIM

I claim the ornamental design for a portable lighting device, as shown and described.

DESCRIPTION

FIG. 1 is a front perspective view of a portable lighting device according to the new design.

FIG. 2 is a left side view of the portable lighting device shown in FIG. 1.

FIG. 3 is a right side view of the portable lighting device shown in FIG. 1.

FIG. 4 is a top view of the portable lighting device shown in FIG. 1.

FIG. 5 is a bottom view of the portable lighting device shown in FIG. 1.

FIG. 6 is a front view of the portable lighting device shown in FIG. 1; and,

FIG. 7 is a rear view of the portable lighting device shown in FIG. 1.

(Continued)

(56) **References Cited**

U.S. PATENT DOCUMENTS

D288,371 S * 2/1987 Lacher D26/50

D392,756 S * 3/1998 Hanig D26/26

D485,003 S 1/2004 Olson

D514,556 S 2/2006 Rising

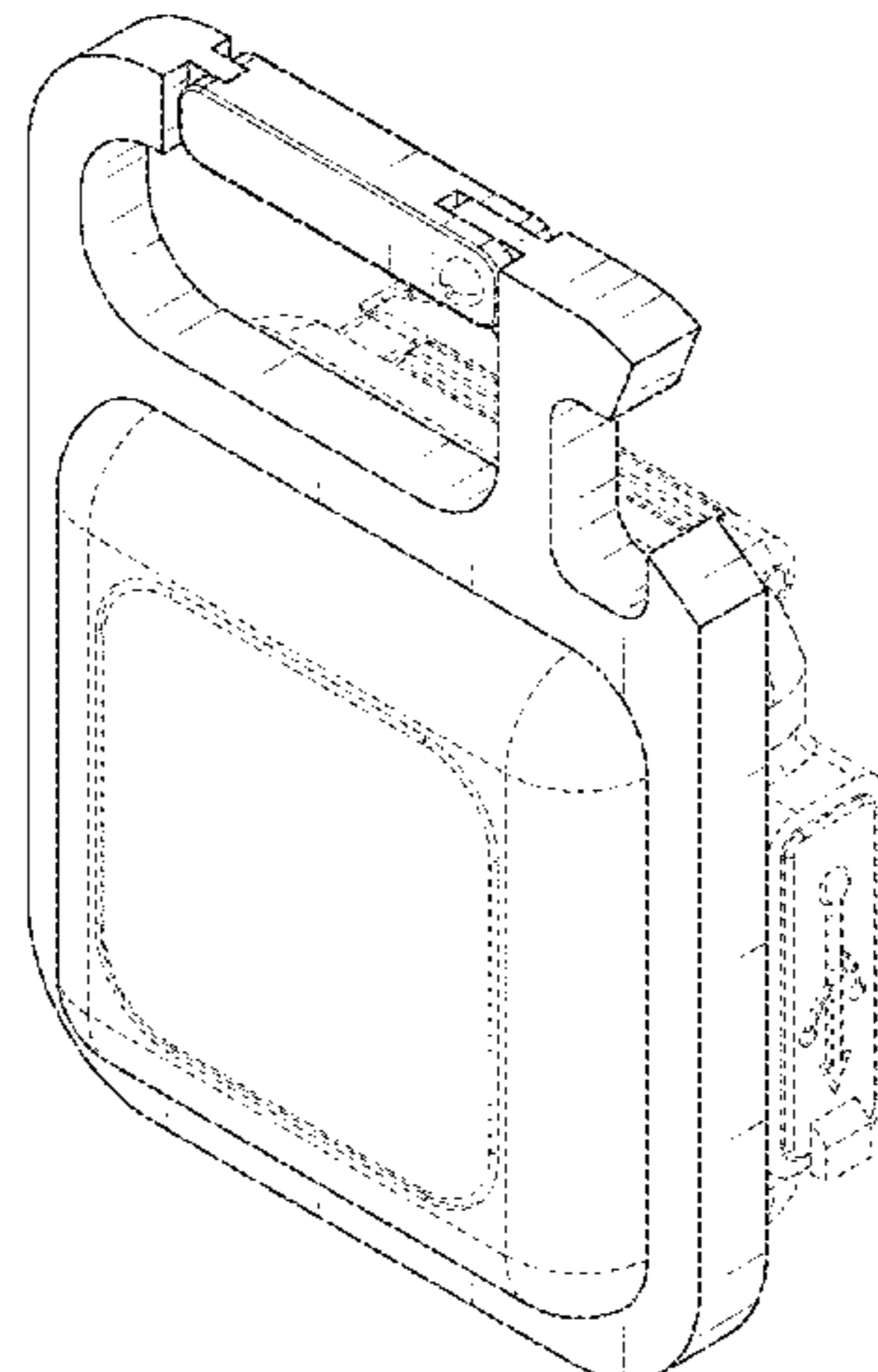
D561,168 S 2/2008 Song

D567,625 S 4/2008 Mattson et al.

D598,906 S 8/2009 Chiba et al.

D600,840 S * 9/2009 Lagassey D26/37

(Continued)



The broken lines shown in the drawings depict portions of the portable lighting device that form no part of the claimed design.

1 Claim, 5 Drawing Sheets

(56)

References Cited

U.S. PATENT DOCUMENTS

D605,320 S * 12/2009 Moudry D26/39
 D633,239 S 2/2011 Chen
 D639,494 S 6/2011 Schrimmer
 D648,298 S 11/2011 Pierce et al.
 D648,471 S 11/2011 Wauters
 D649,148 S 11/2011 Gengoux
 D670,646 S 11/2012 Canova
 D670,843 S 11/2012 von Waldthausen
 D684,718 S 6/2013 Ko
 D702,863 S * 4/2014 Kotsis D26/37
 D703,354 S * 4/2014 Kotsis D26/37
 D703,355 S * 4/2014 Kotsis D26/37
 D709,211 S * 7/2014 Calvin D26/24
 D711,463 S 8/2014 Costabeber
 D716,477 S 10/2014 Chu
 D727,387 S 4/2015 Hasegawa et al.
 D739,585 S * 9/2015 Chun D26/38
 D743,072 S * 11/2015 Cooper D26/37
 D745,988 S 12/2015 Ahn
 D754,109 S 4/2016 Kelly
 D770,075 S * 10/2016 Huang D26/74
 D772,221 S 11/2016 Kacin et al.
 D773,706 S 12/2016 Ookawa et al.
 D779,242 S 2/2017 Kacin et al.
 D781,250 S 3/2017 Cartwright et al.
 D785,365 S 5/2017 Newlin

D803,440 S * 11/2017 Tompkin D26/37
 D820,488 S 6/2018 Kinsen Ka Fai
 D824,368 S 7/2018 Kacin et al.
 D849,975 S * 5/2019 Huang D26/37
 D850,680 S * 6/2019 Case D26/37
 D884,941 S * 5/2020 Zaderej D26/37
 D890,961 S * 7/2020 Reiherzer D26/24
 D894,466 S * 8/2020 Hu D26/72
 D906,569 S * 12/2020 Wu D26/72
 D908,253 S * 1/2021 Hollinger D26/24
 2007/0139917 A1* 6/2007 Ford F21V 21/0885
 362/208
 2017/0108197 A1* 4/2017 Cacciabeve F21V 15/01
 2021/0215327 A1* 7/2021 Grandadam F16M 11/10

FOREIGN PATENT DOCUMENTS

CN 202266905 6/2012
 CN 202274317 6/2012
 CN 203336270 12/2013
 WO 2016138552 9/2016

OTHER PUBLICATIONS

<http://petapixel.com/2014/11/20/small-portable-flash-cube-can-pump-1500-lu-mens-light-gopro-smartphone>, at least as early as Oct. 6, 2016.
<https://web.archive.org/web/20150921015857/http://www.ledlightcube.com/pro-ducts/ic12-microlight>, at least as early as Oct. 6, 2016.
<https://web.archive.org/web/20130811064215/http://www.ledlightcube.com>, at least as early as Oct. 6, 2016.
<http://www.focuscamera.com/mefoto-sunshine-cube-red.html>, at least as early as Oct. 6, 2016.
<https://www.lumecube.com/shop/single-lume-cube?SID=U>, at least as early as Oct. 6, 2016.

* cited by examiner

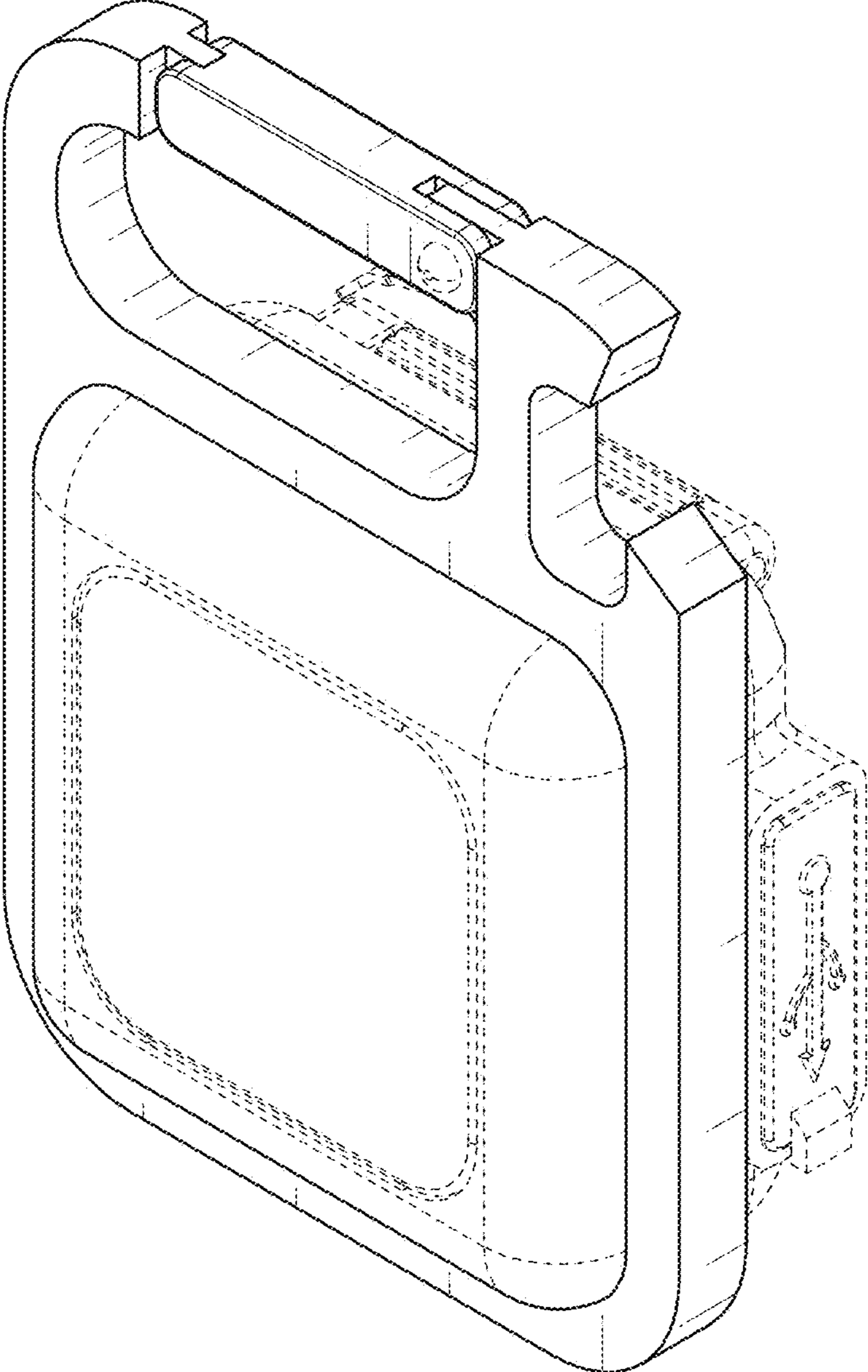


FIG. 1

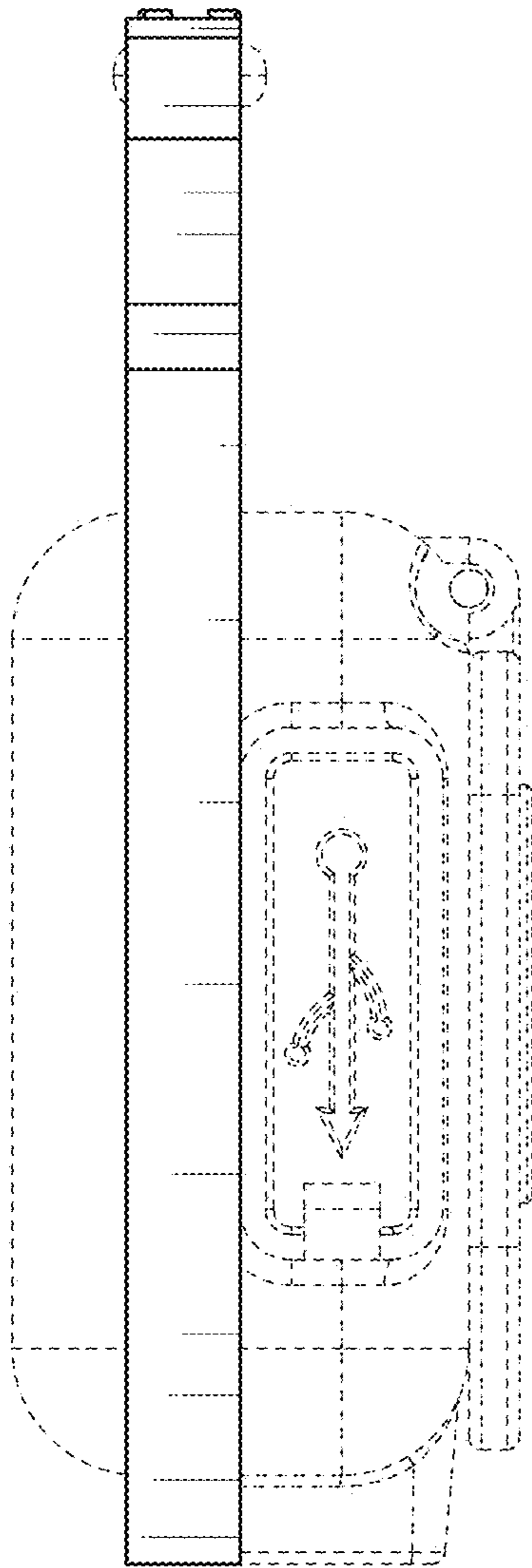


FIG. 2

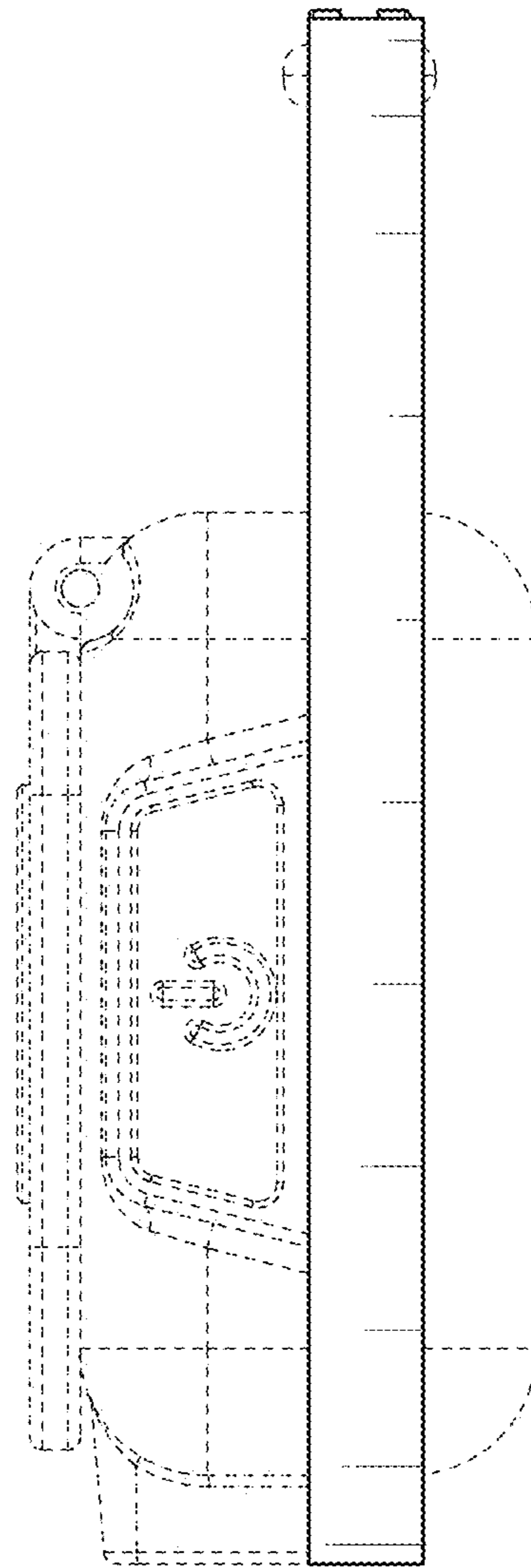


FIG. 3

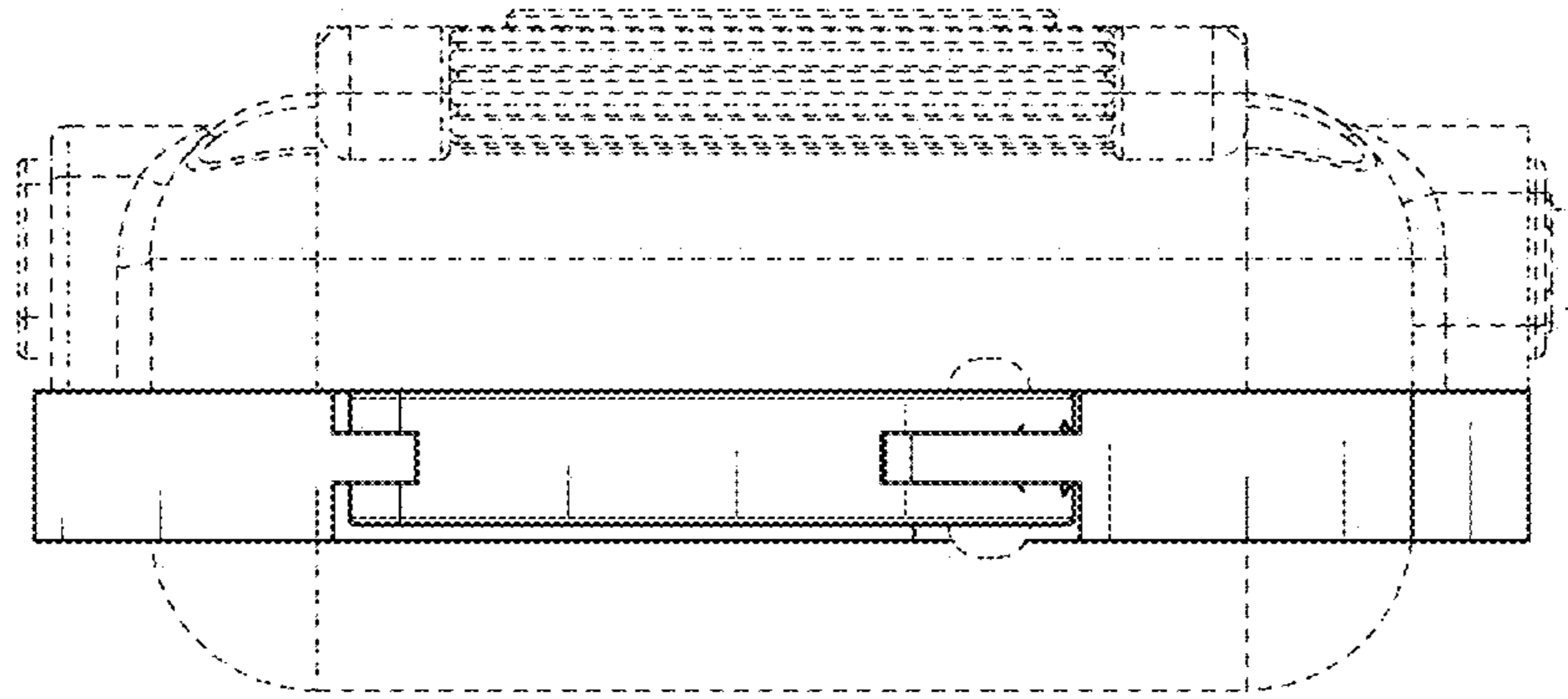


FIG. 4

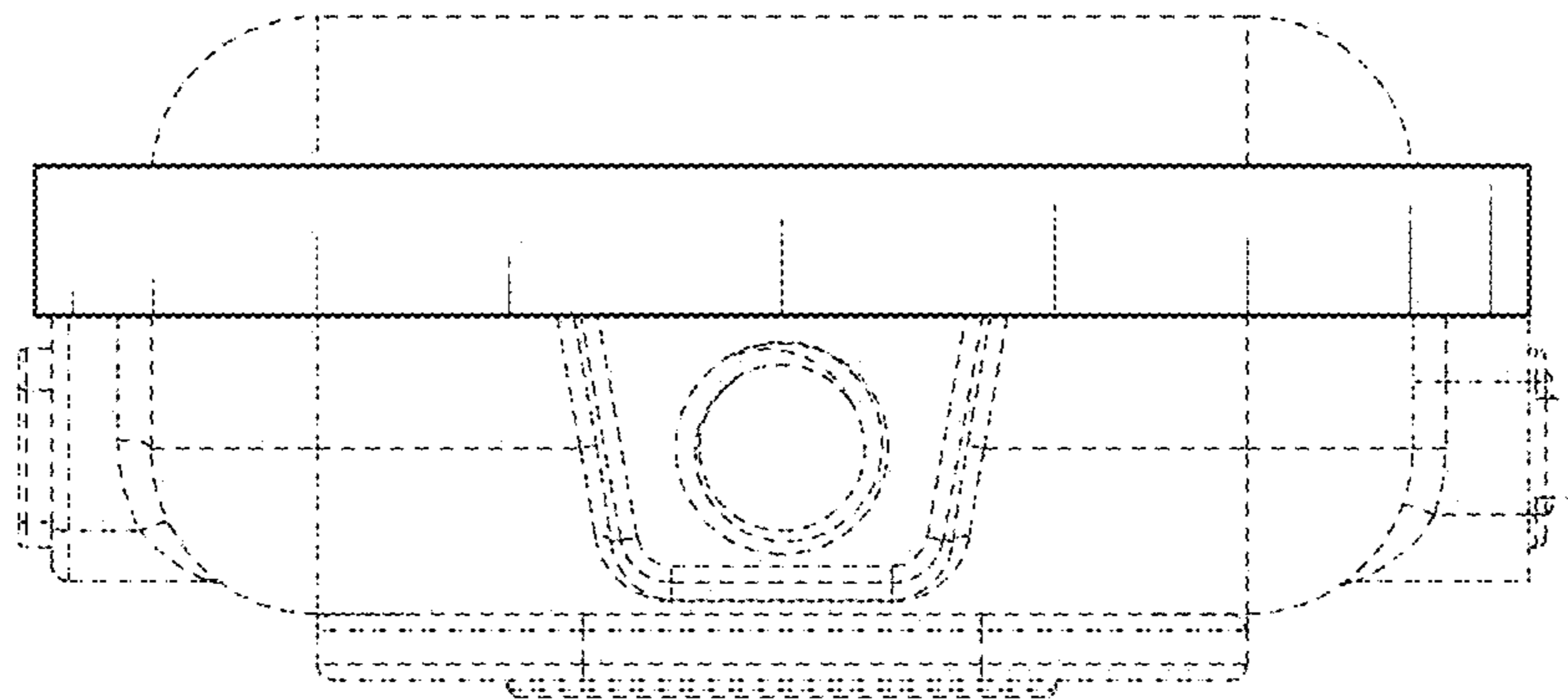


FIG. 5

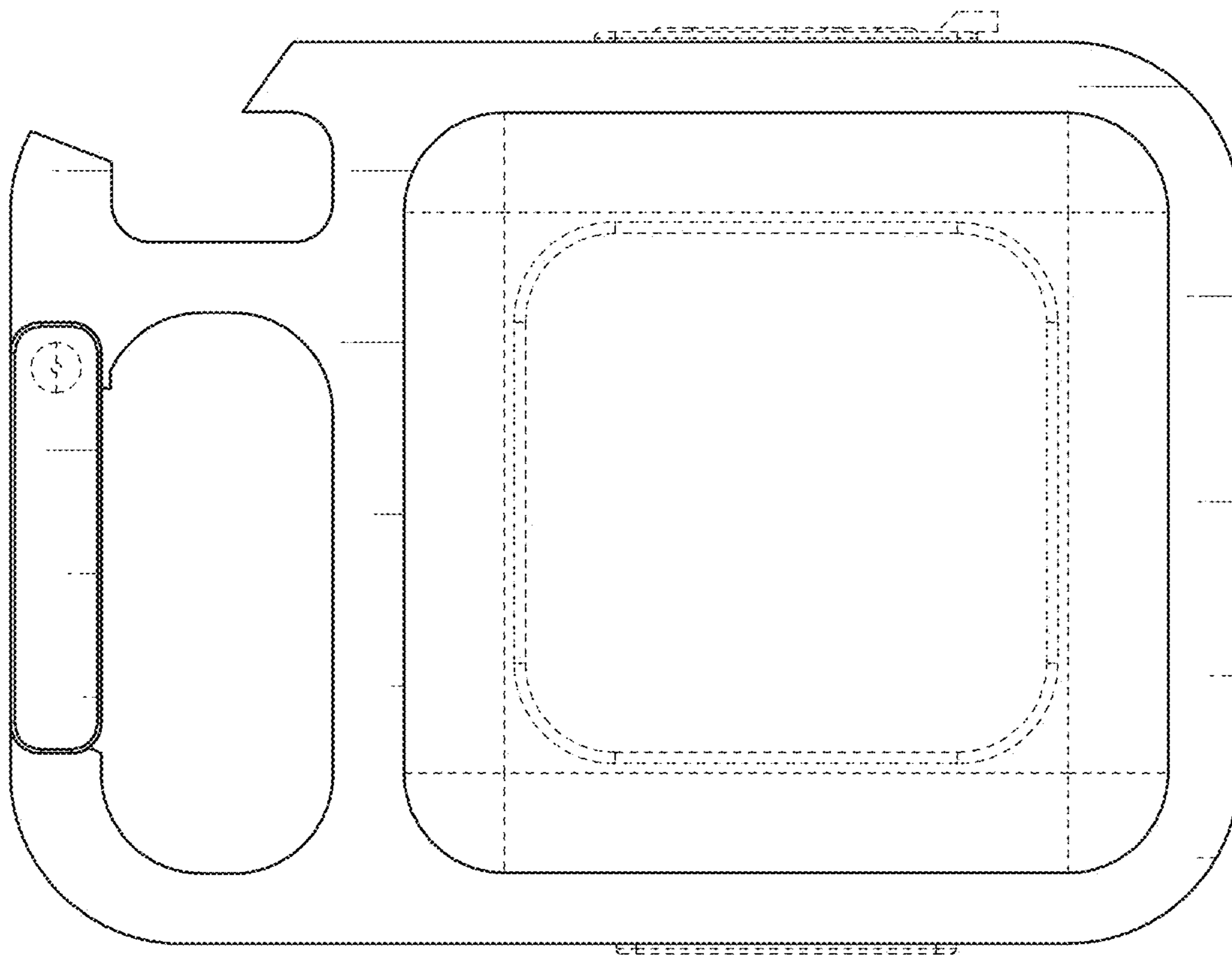


FIG. 6

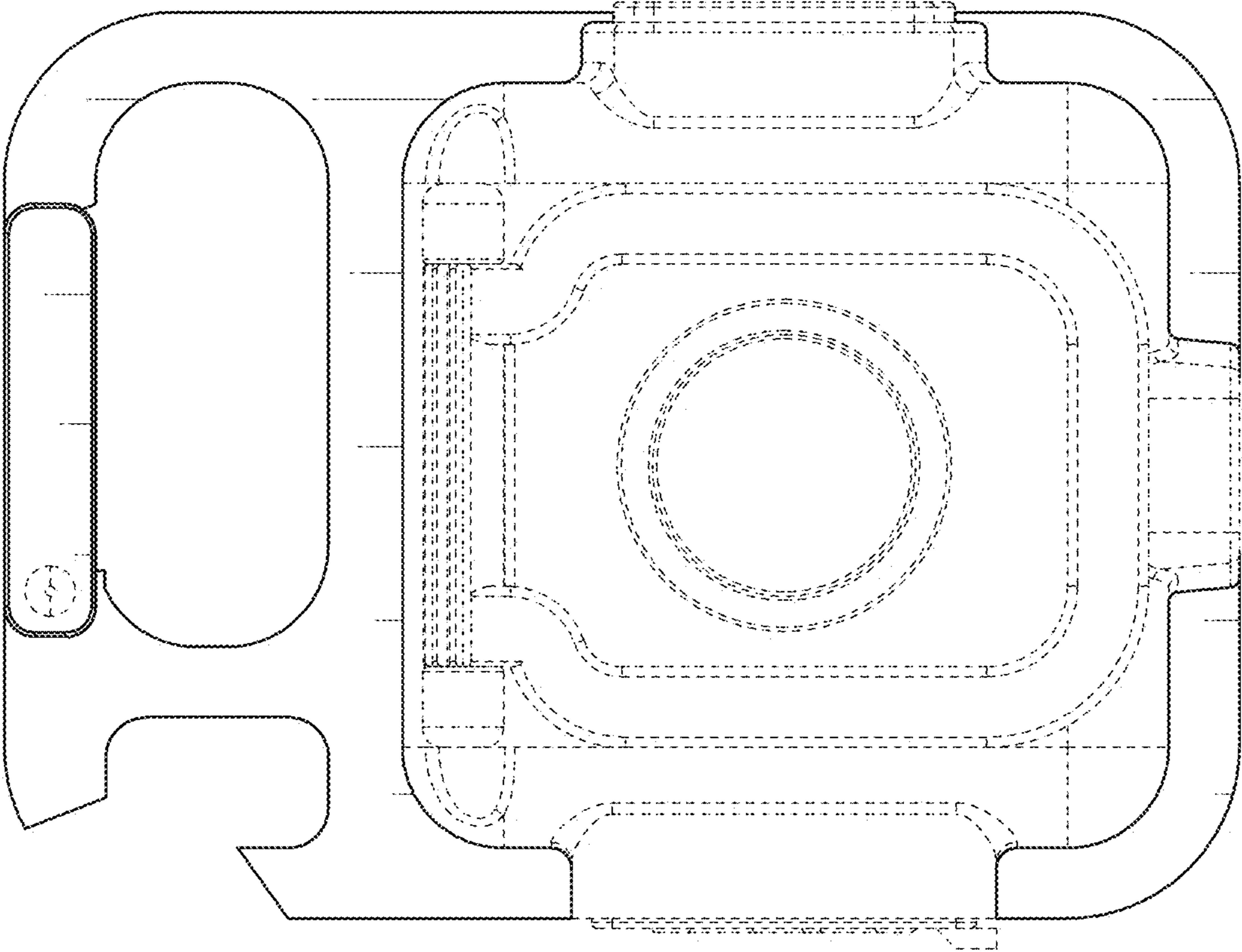


FIG. 7