



US00D981018S

(12) **United States Design Patent** (10) **Patent No.:** **US D981,018 S**
Luo (45) **Date of Patent:** **** Mar. 14, 2023**

- (54) **LED DRIVING LIGHT**
- (71) Applicant: **Dongguan Senlo Photoelectric Technology Co., Ltd.**, Guangdong (CN)
- (72) Inventor: **Lehe Luo**, Guangdong (CN)
- (73) Assignee: **Dongguan Senlo Photoelectric Technology Co., Ltd.**, Guangdong (GN)
- (**) Term: **15 Years**
- (21) Appl. No.: **29/749,192**
- (22) Filed: **Sep. 3, 2020**
- (51) **LOC (14) Cl.** **26-06**
- (52) **U.S. Cl.**
USPC **D26/36**
- (58) **Field of Classification Search**
USPC D26/28, 29, 30, 31, 32, 33, 34, 35, 36, D26/139
CPC F21W 2103/35; F21W 2103/40; F21W 2102/17; F21W 2102/30; F21W 2103/00; F21W 2103/55; F21W 2104/00; F21W 2107/17; F21W 2107/13; F21S 41/00; F21S 41/141; F21S 41/162; F21S 41/18; F21S 41/20; F21S 41/33; F21S 41/36; F21S 41/60; F21S 43/00; F21V 21/04
See application file for complete search history.

- D735,908 S * 8/2015 Ko D26/28
- D773,700 S * 12/2016 Aoki D26/28
- D910,217 S * 2/2021 Li D26/28
- D913,538 S * 3/2021 Zhang D26/28
- D923,826 S * 6/2021 Wang D26/2
- D927,744 S * 8/2021 Chen D26/28
- D928,356 S * 8/2021 Wang D26/2
- D928,997 S * 8/2021 Korpi D26/24
- D930,200 S * 9/2021 Kellermann D26/136
- D935,067 S * 11/2021 Hu D26/28

* cited by examiner

Primary Examiner — Angela J Lee

(74) *Attorney, Agent, or Firm* — ScienBiziP, P.C.

- (56) **References Cited**
U.S. PATENT DOCUMENTS
D606,675 S * 12/2009 Chinaglia D26/28
D710,042 S * 7/2014 Georgitsis D26/28

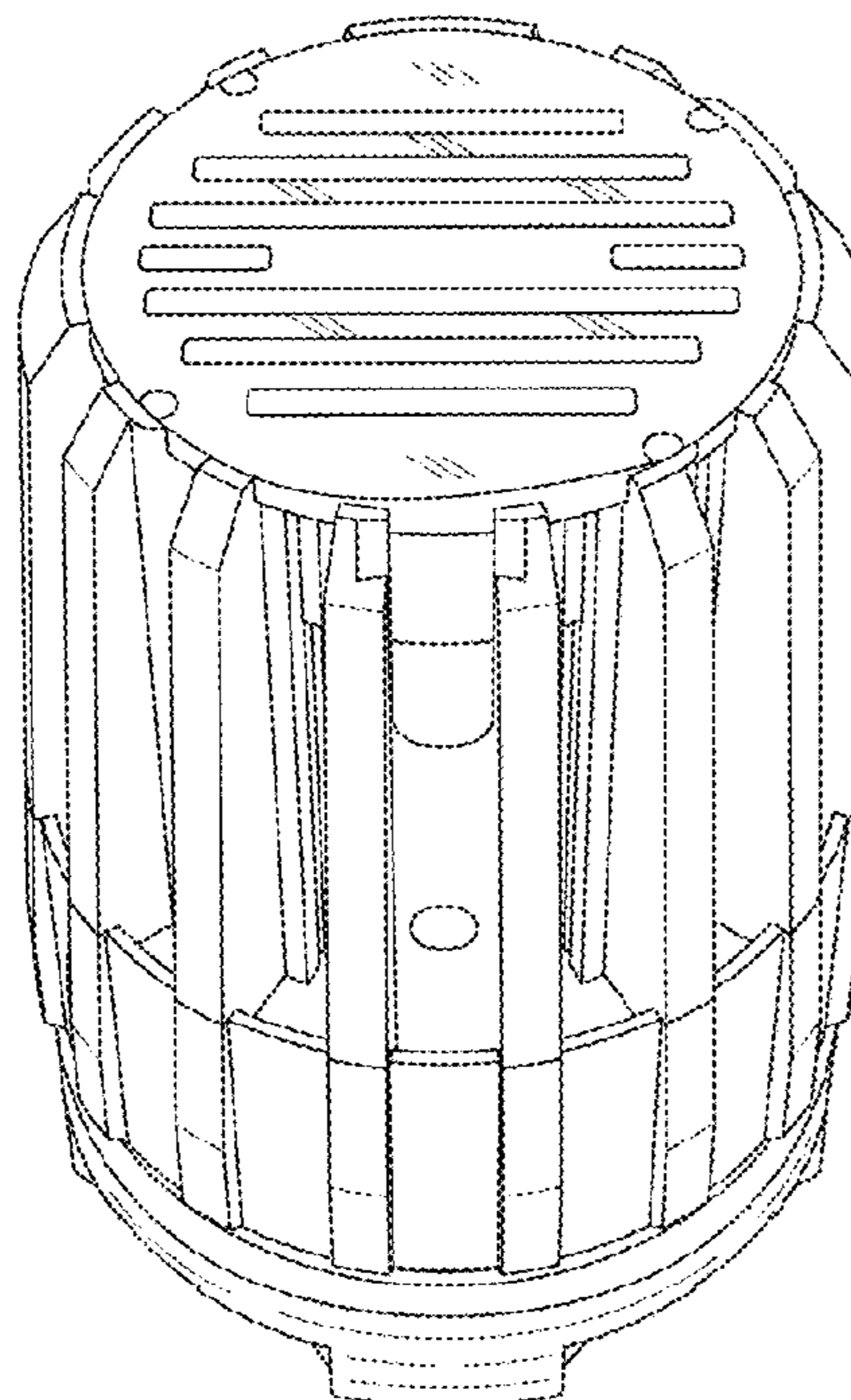
(57) **CLAIM**

The ornamental design for a LED driving light, as shown and described.

DESCRIPTION

FIG. 1 is a bottom perspective view of a LED driving light, showing my design.
 FIG. 2 is a front elevation view thereof.
 FIG. 3 is a rear elevation view thereof.
 FIG. 4 is a right side elevation view thereof.
 FIG. 5 is a left side elevation view thereof.
 FIG. 6 is a top plan view thereof; and,
 FIG. 7 is a bottom plan view thereof.
 The broken lines shown in the drawings represent portions of the LED driving light that form no part of the claimed design.

1 Claim, 7 Drawing Sheets



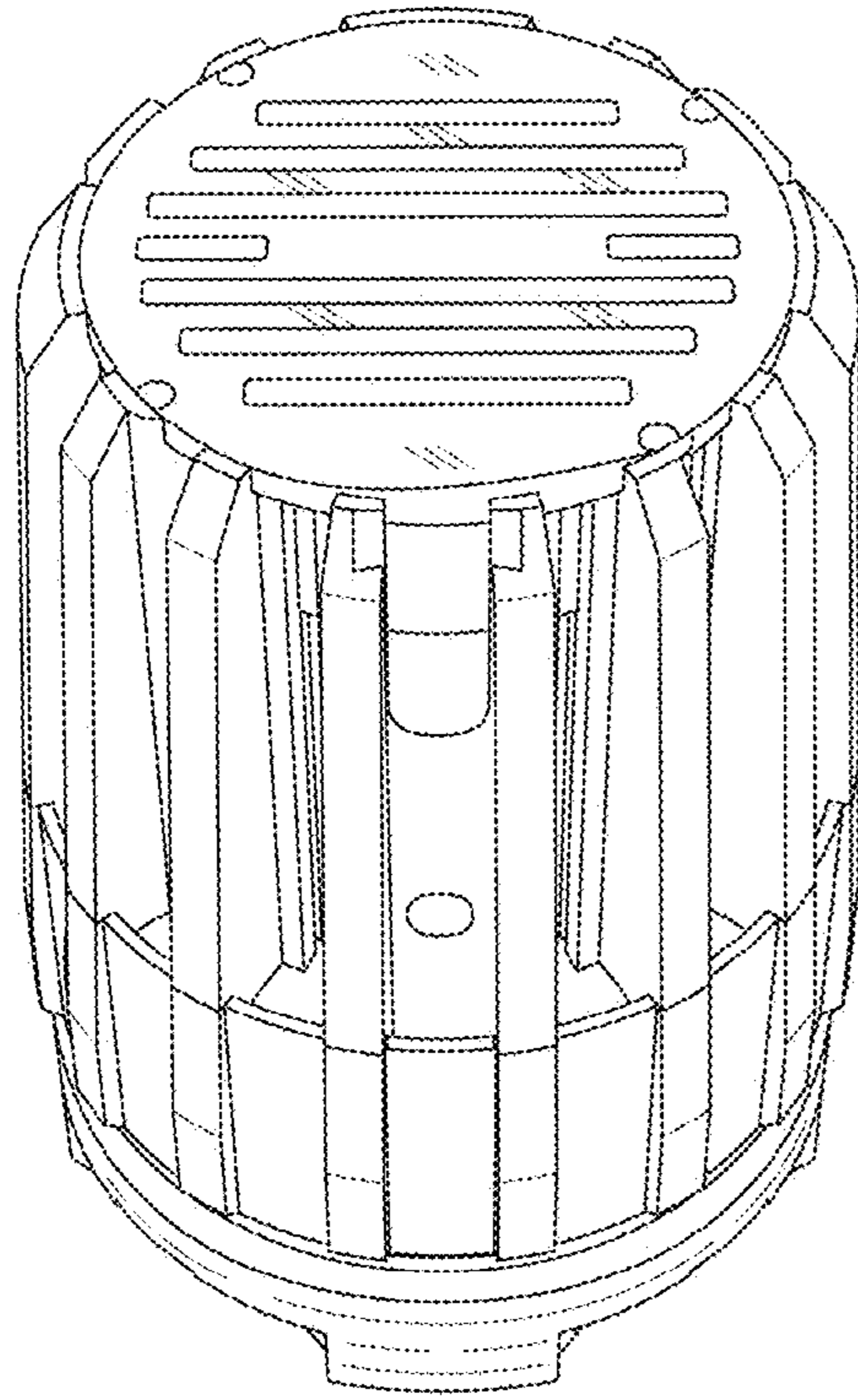


FIG. 1

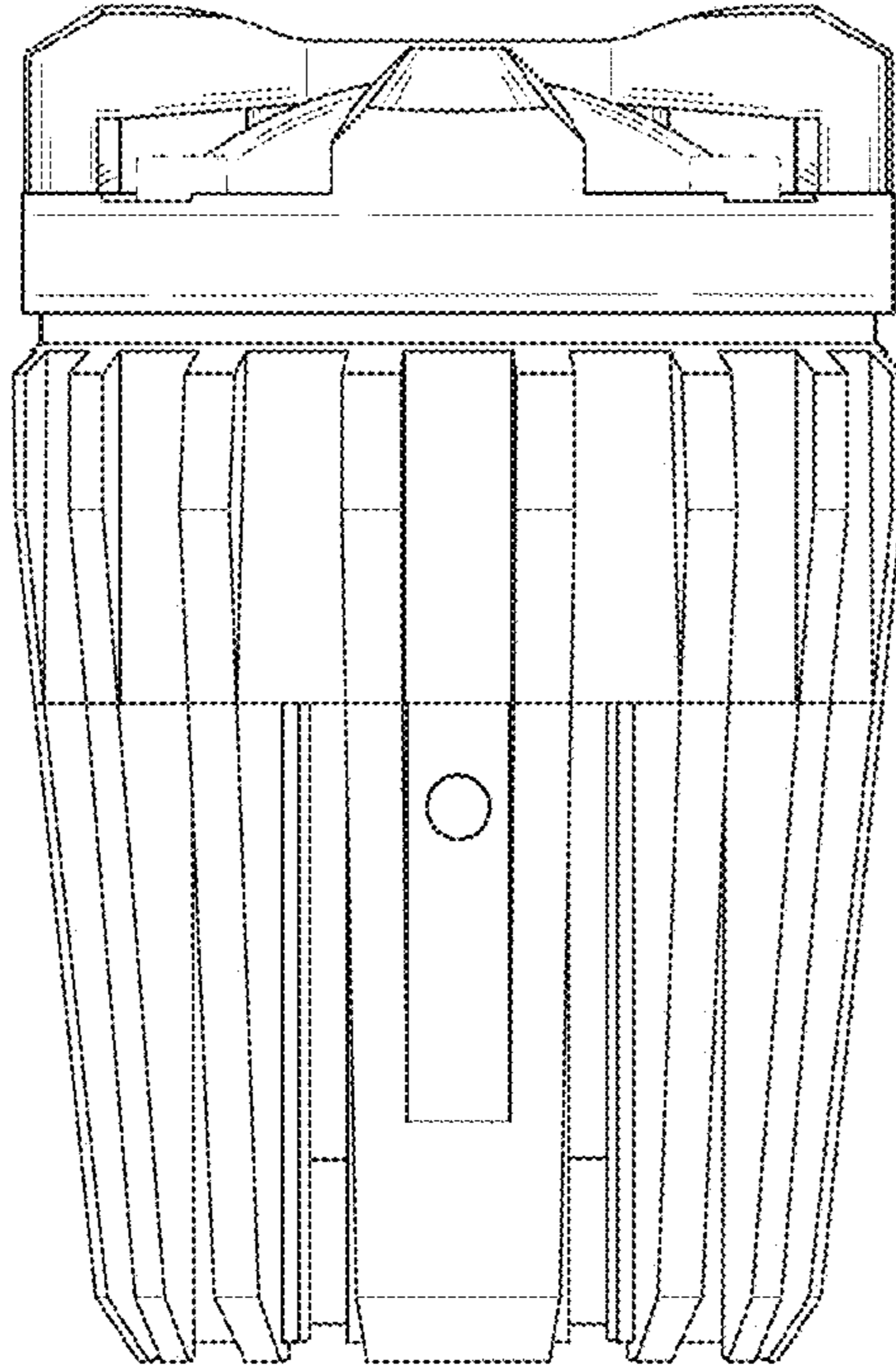


FIG. 2

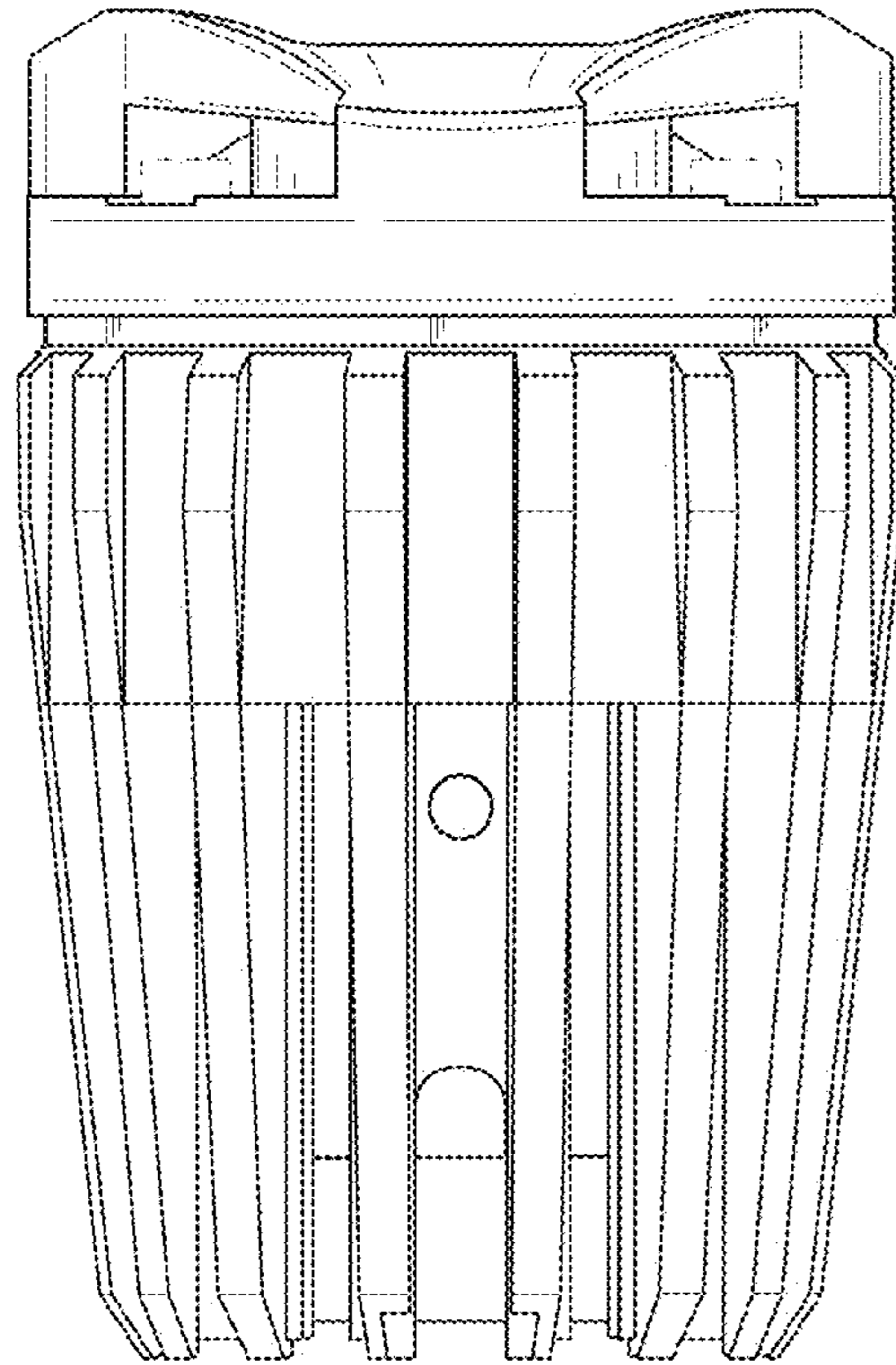


FIG. 3

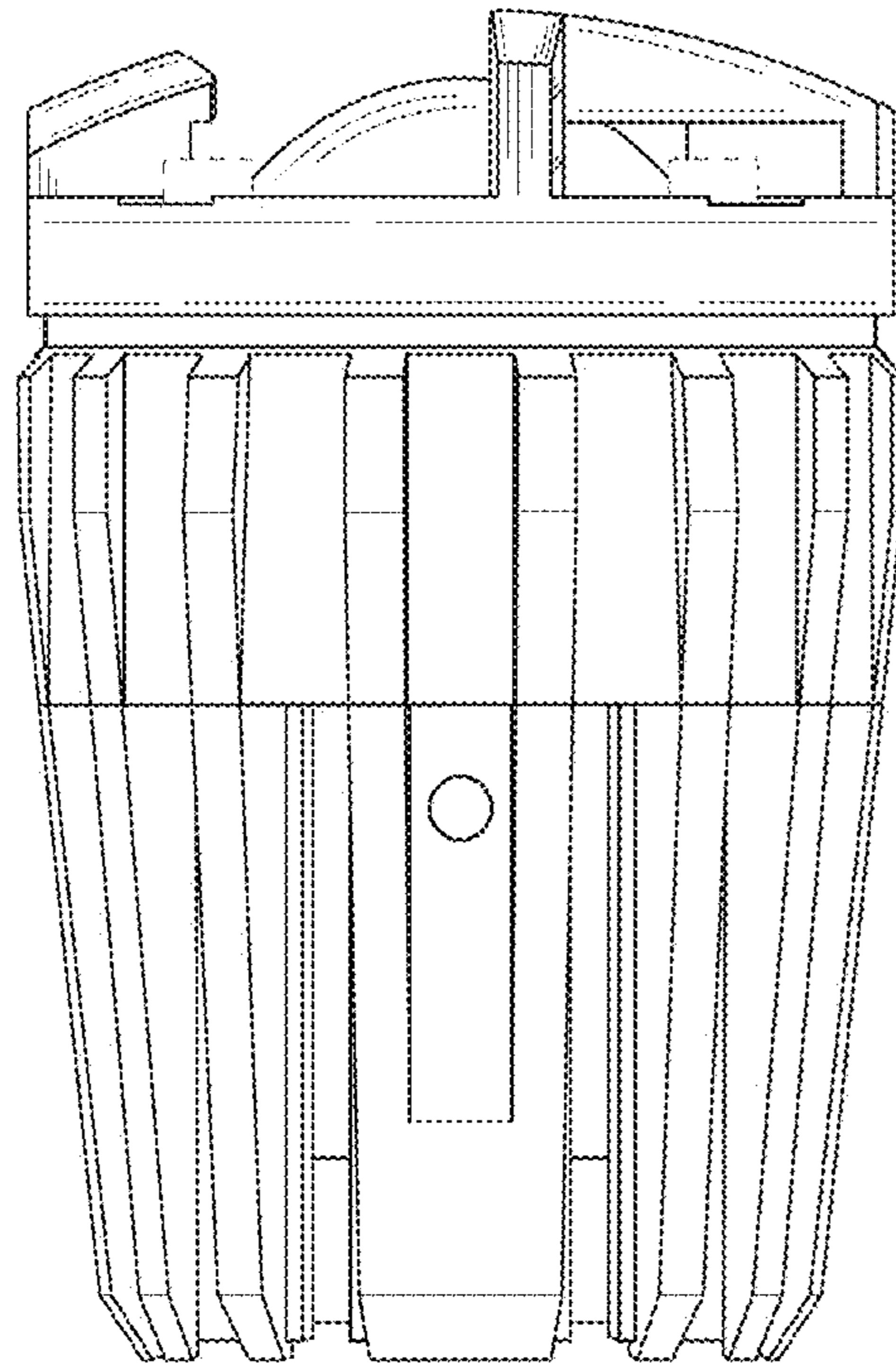


FIG. 4

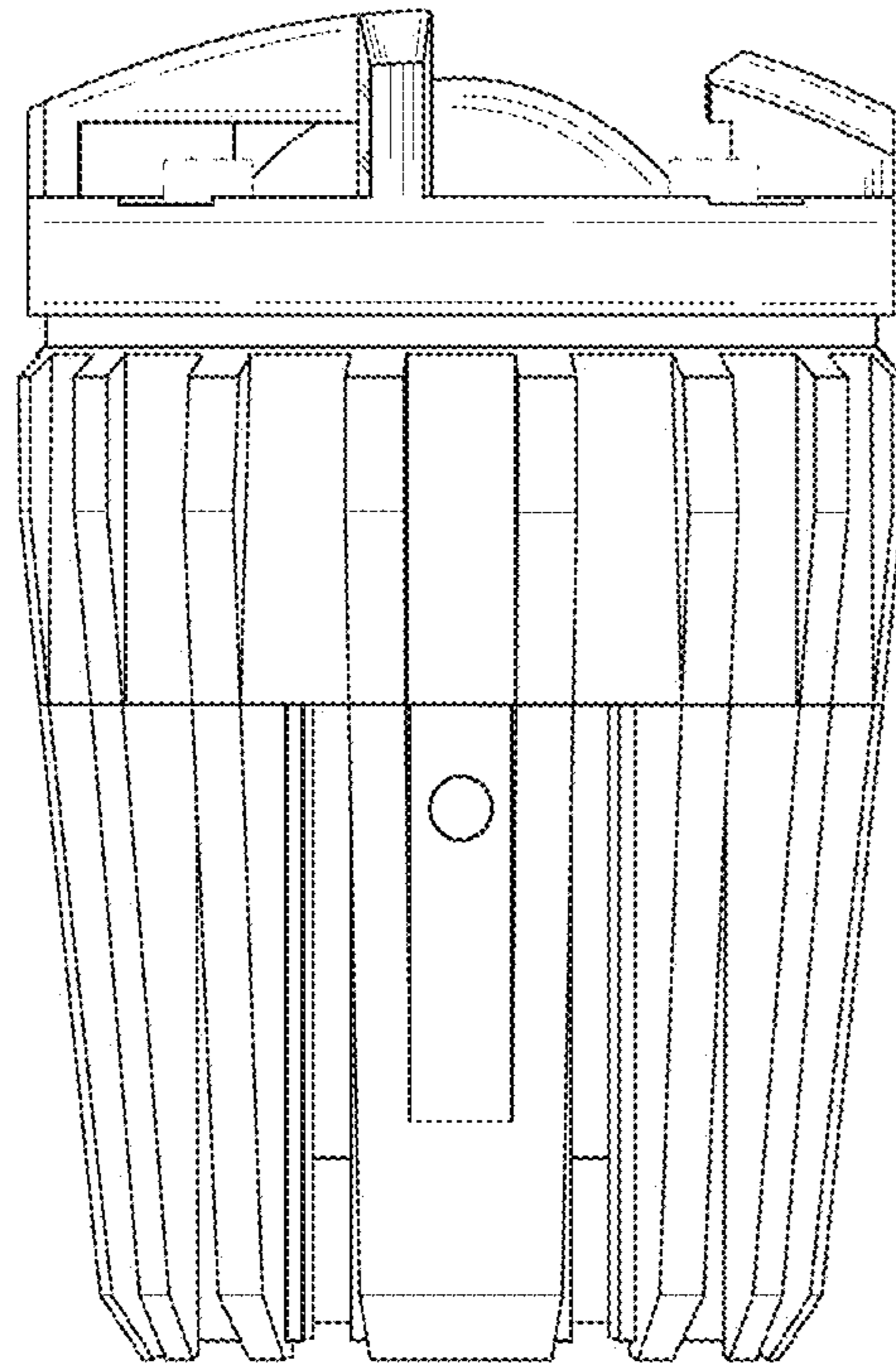


FIG. 5

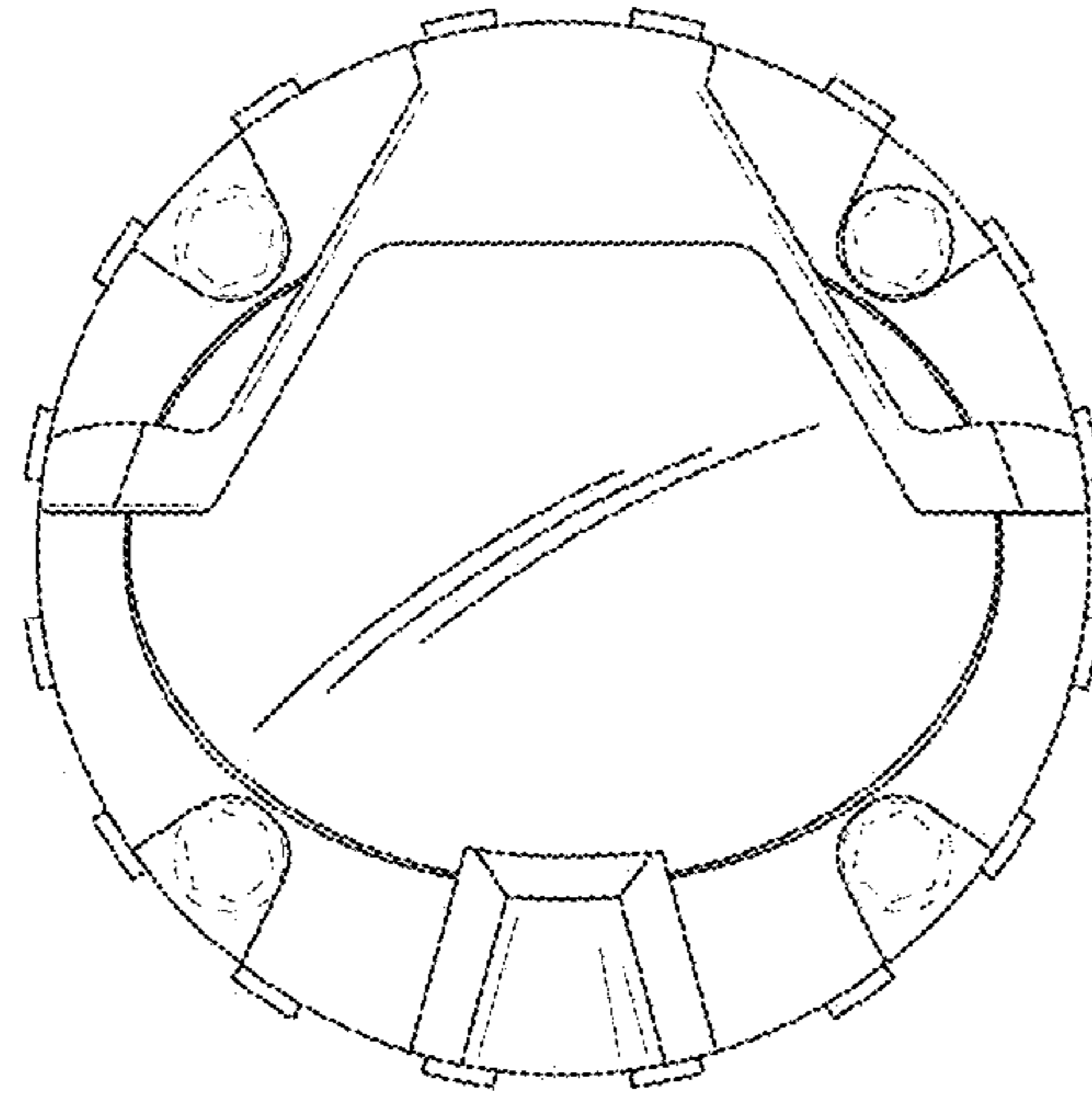


FIG. 6

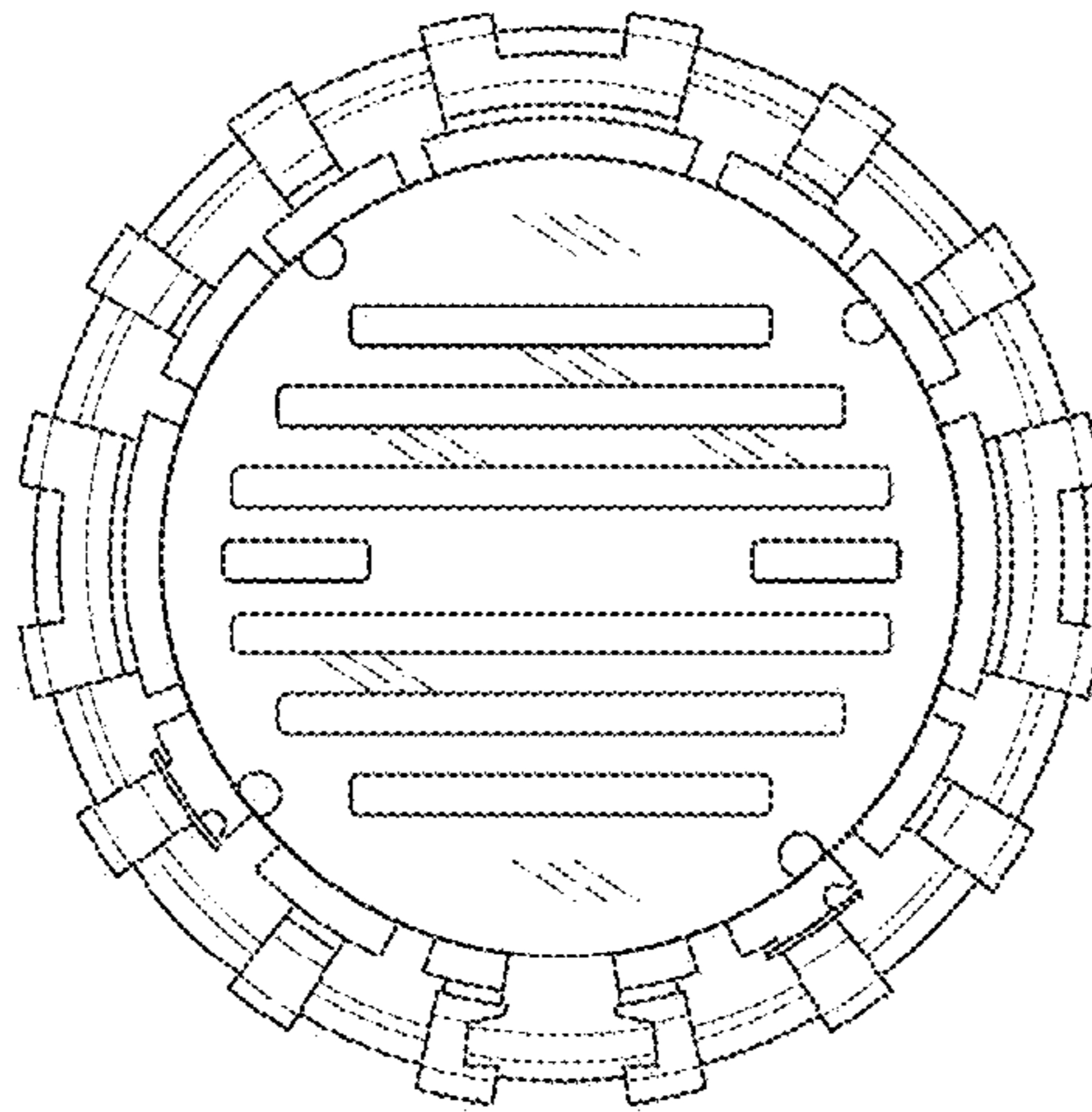


FIG. 7