



US00D981017S

(12) **United States Design Patent** (10) **Patent No.:** **US D981,017 S**
Jeong et al. (45) **Date of Patent:** **** Mar. 14, 2023**

(54) **HEAD LAMP FOR VEHICLES**

(56) **References Cited**

(71) Applicants: **HYUNDAI MOTOR COMPANY**,
Seoul (KR); **KIA CORPORATION**,
Seoul (KR)

U.S. PATENT DOCUMENTS

D502,780 S *	3/2005	Tamura	D26/28
D572,848 S *	7/2008	Saracoglu	D26/28
D736,971 S *	8/2015	Duff	D26/28
D755,420 S *	5/2016	Ko	D26/28
D804,693 S *	12/2017	Handt	D26/28
D815,766 S *	4/2018	Park	D26/28
D851,295 S *	6/2019	Whang	D26/28
D876,685 S *	2/2020	Lin	D26/28
D910,891 S *	2/2021	Tseug	D26/28
D919,138 S *	5/2021	Loisch	D26/28
D950,798 S *	5/2022	Theis	D26/28
D950,816 S *	5/2022	Kuehn	D26/28
D957,705 S *	7/2022	Jung	D26/28

(72) Inventors: **Byeong-Ho Jeong**, Yongin-si (KR);
Ji-Hun Shin, Ulsan (KR); **Se-Wook Oh**, Anyang-si (KR)

(73) Assignees: **Hyundai Motor Company**, Seoul
(KR); **Kia Corporation**, Seoul (KR)

(**) Term: **15 Years**

* cited by examiner

(21) Appl. No.: **35/513,582**

Primary Examiner — Angela J Lee

(22) Filed: **Jan. 19, 2022**

(74) *Attorney, Agent, or Firm* — Fox Rothschild LLP

(80) **Hague Agreement Data**

Int. Filing Date: **Jan. 19, 2022**
Int. Reg. No.: **DM/218642**
Int. Reg. Date: **Jan. 19, 2022**
Int. Reg. Pub. Date: **Feb. 11, 2022**

(57) **CLAIM**

The ornamental design for a head lamp for vehicles, as shown and described.

(30) **Foreign Application Priority Data**

Sep. 29, 2021 (KR) 30-2021-0046058

(51) **LOC (14) Cl.** **26-06**

(52) **U.S. Cl.**
USPC **D26/28**

(58) **Field of Classification Search**
USPC D26/28, 29, 30, 31, 32, 33, 34, 35, 36,
D26/139
CPC F21W 2103/35; F21W 2103/40; F21W
2102/17; F21W 2102/30; F21W 2103/00;
F21W 2103/55; F21W 2104/00; F21W
2107/17; F21W 2107/13; F21S 41/00;
F21S 41/141; F21S 41/162; F21S 41/18;
F21S 41/20; F21S 41/33; F21S 41/36;
F21S 41/60; F21S 43/00; F21V 21/04

See application file for complete search history.

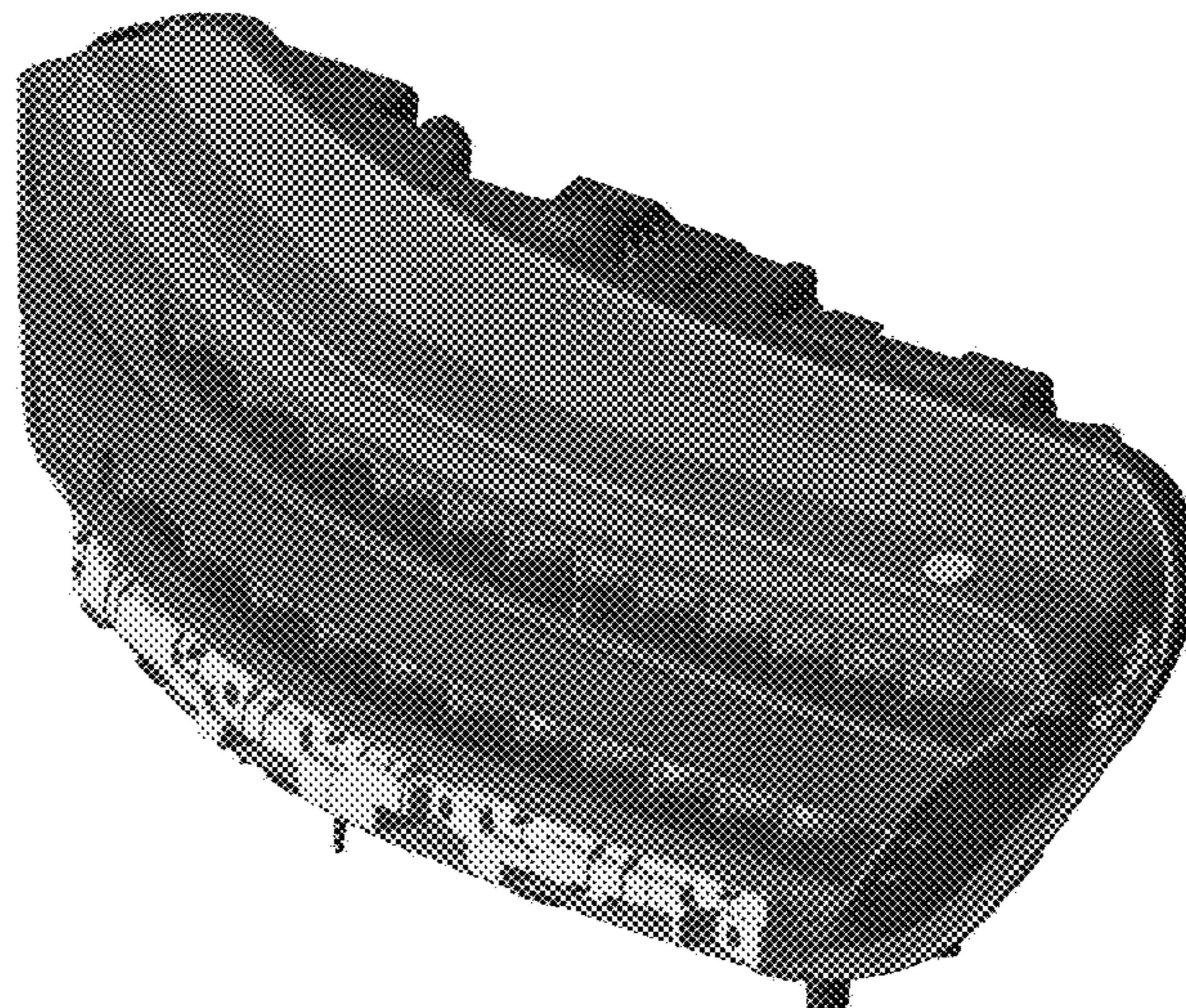
DESCRIPTION

1. Head lamp for vehicles

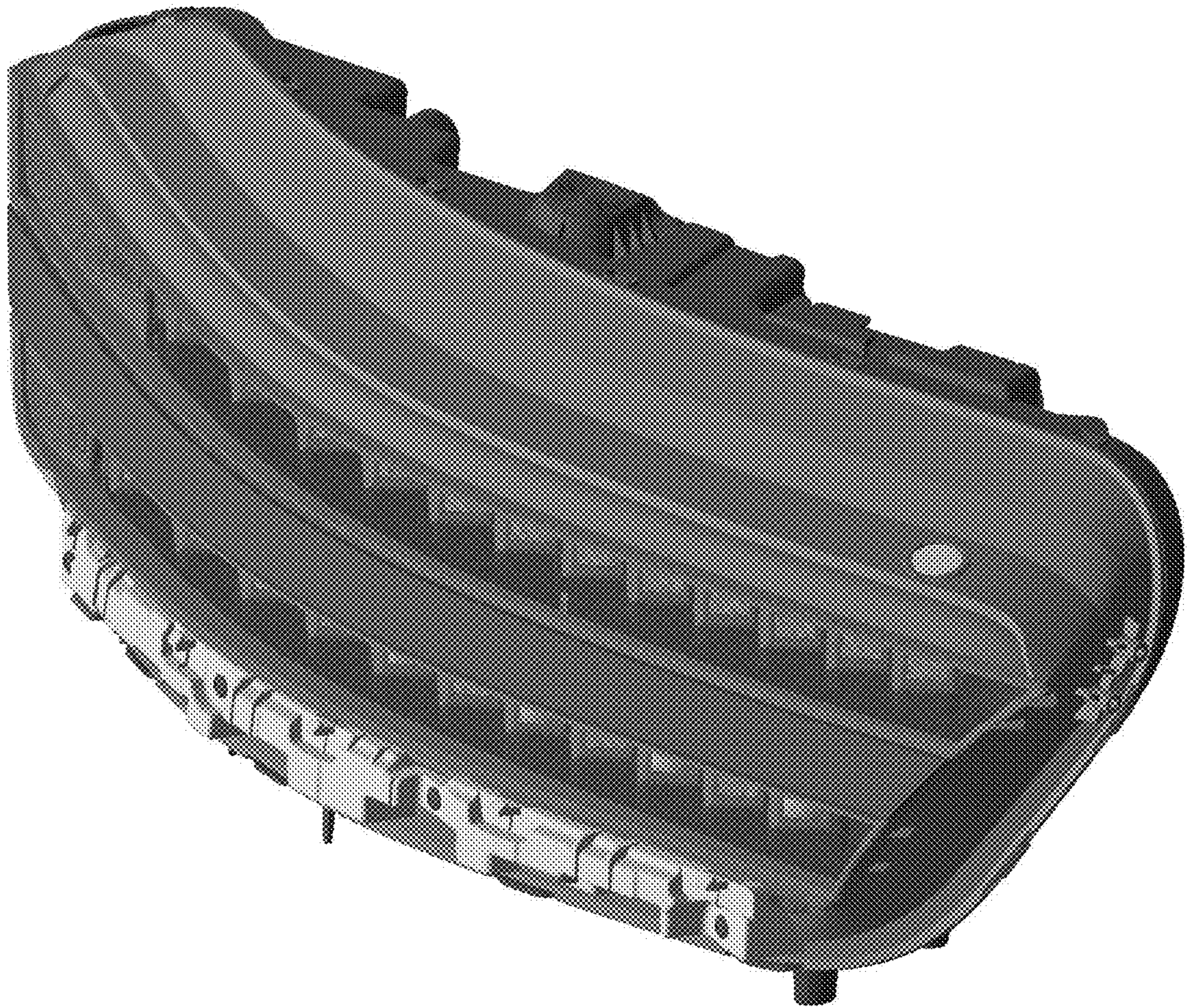
- 1.1 : Perspective
- 1.2 : Front
- 1.3 : Back
- 1.4 : Right
- 1.5 : Left
- 1.6 : Top
- 1.7 : Bottom
- 1.8 : Perspective

1.1 is a top, front, and left side perspective view of a head lamp for vehicles embodying our new design; 1.2 is a front elevation view thereof; 1.3 is a rear elevation view thereof; 1.4 is a right side elevation view thereof; 1.5 is a left side elevation view thereof; 1.6 is a top plan view thereof; 1.7 is a bottom plan view thereof; and 1.8 is a top, rear, and right side perspective view thereof.

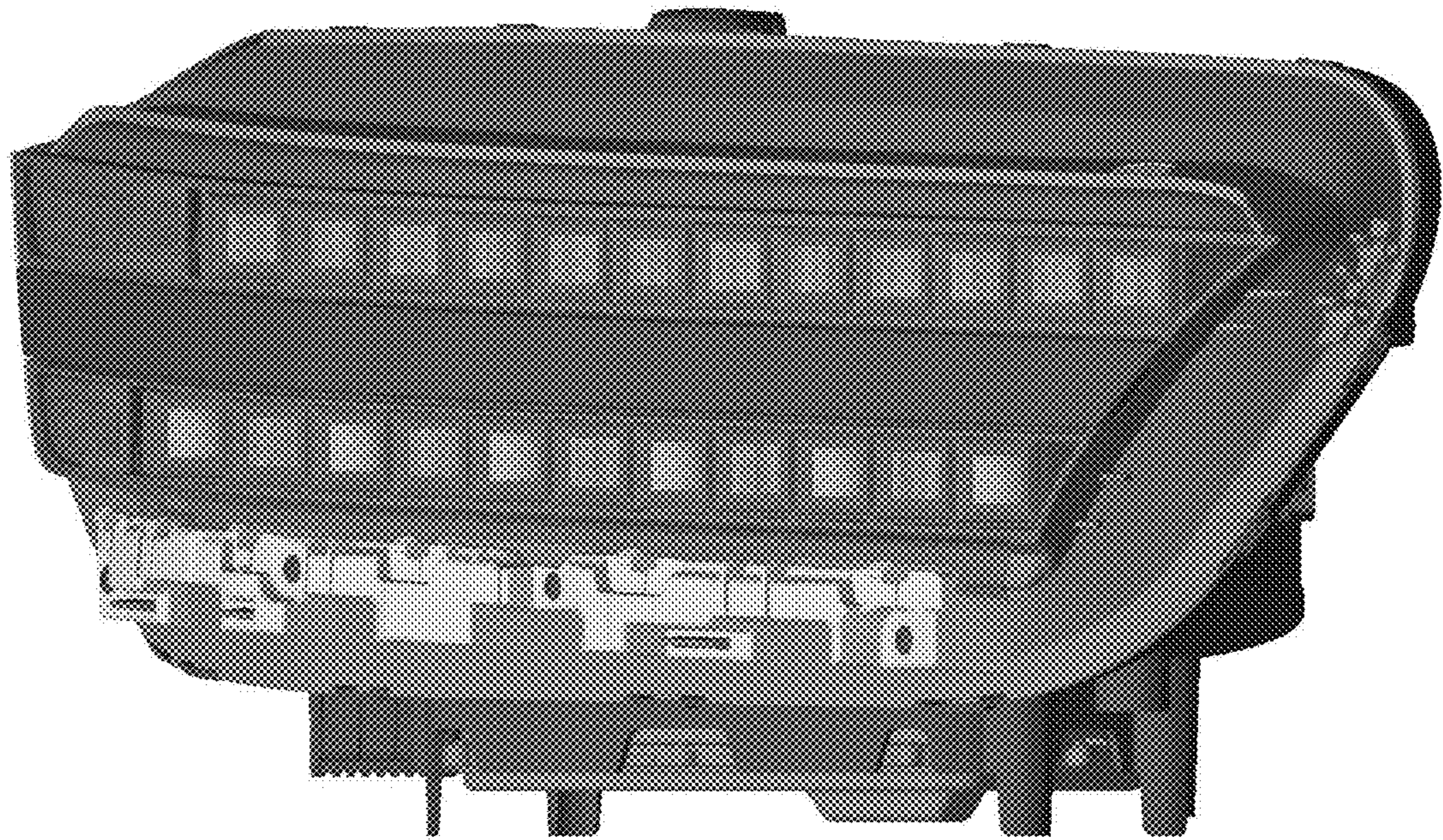
1 Claim, 8 Drawing Sheets



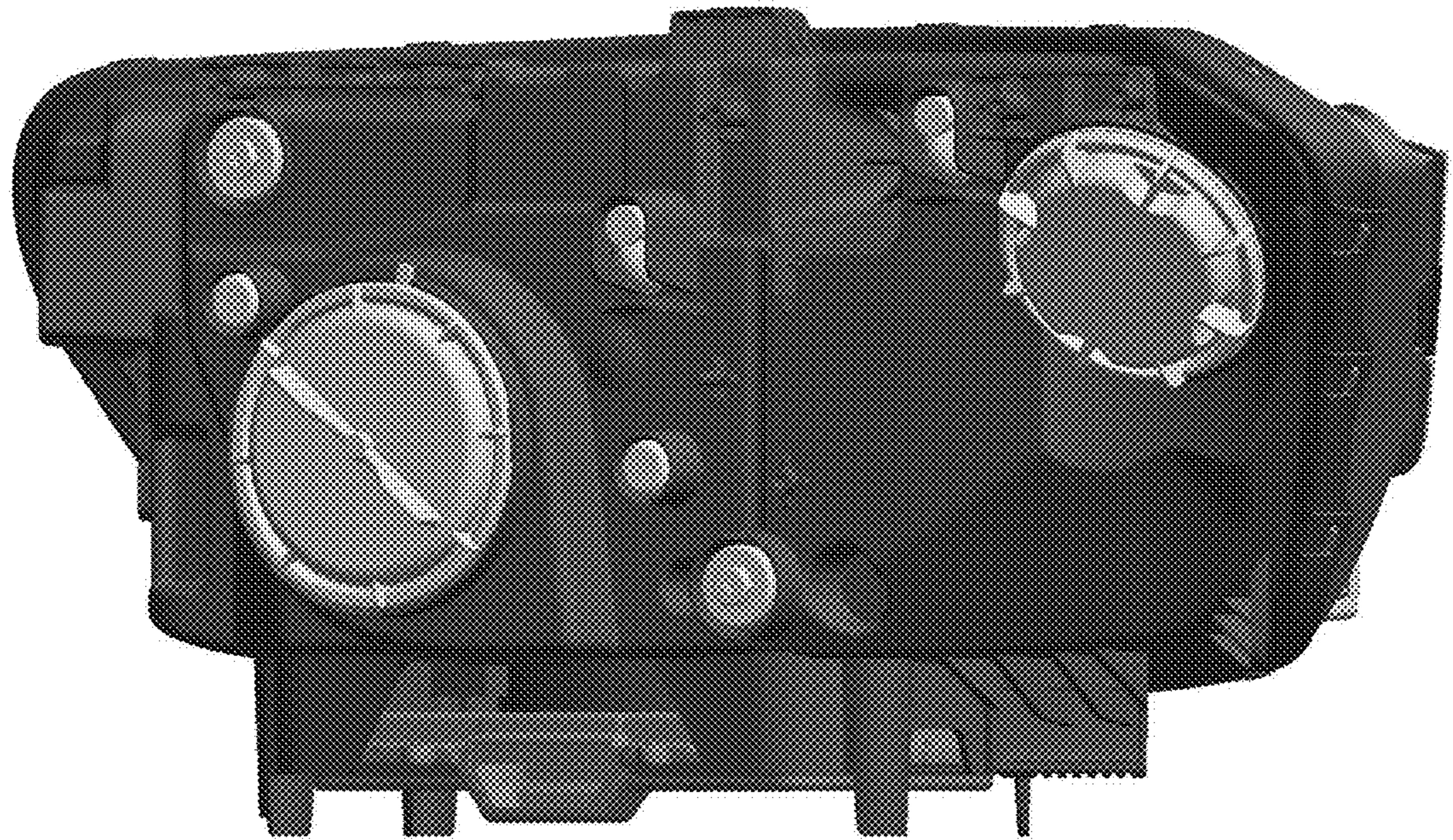
1.1



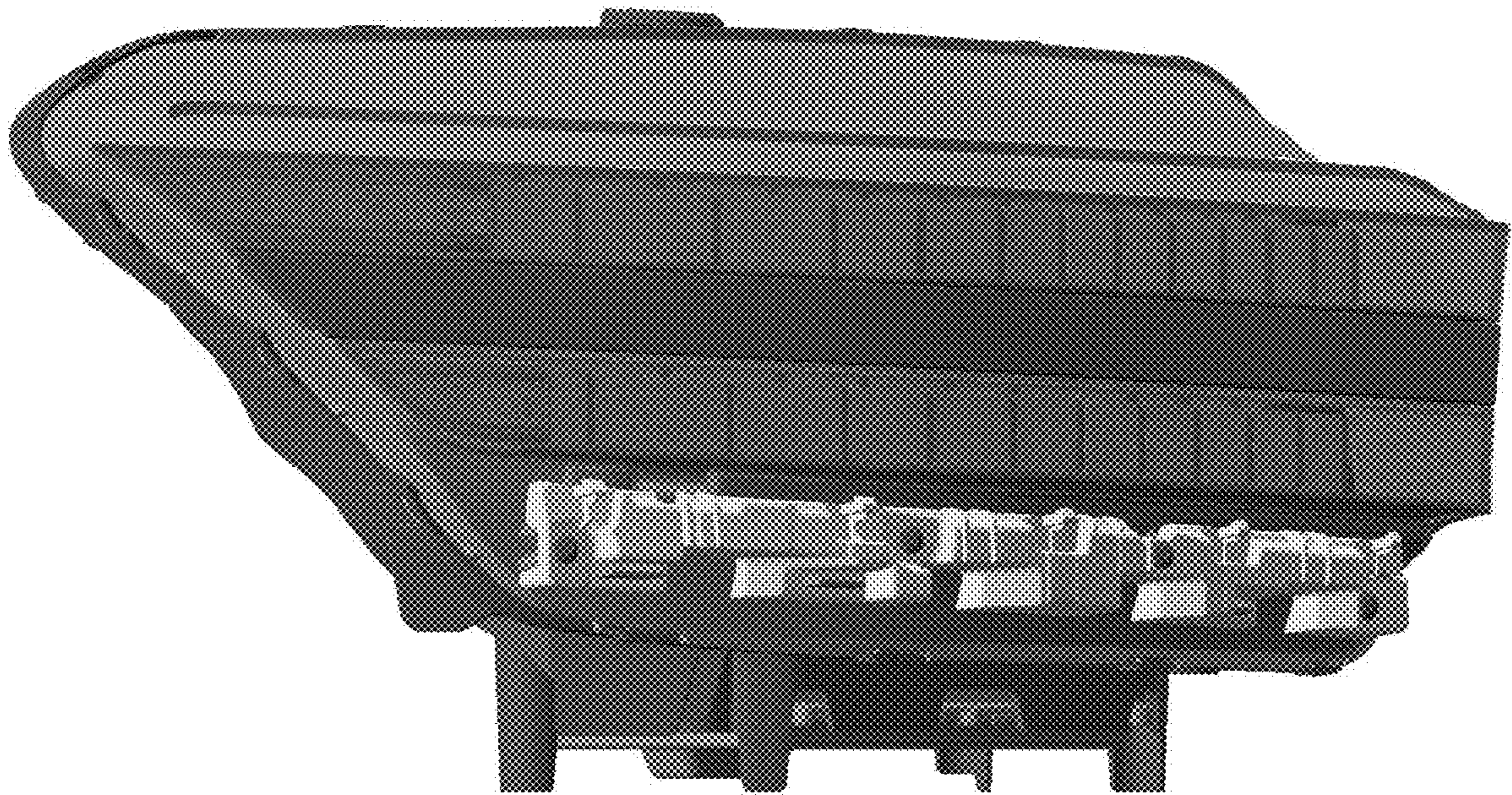
1.2



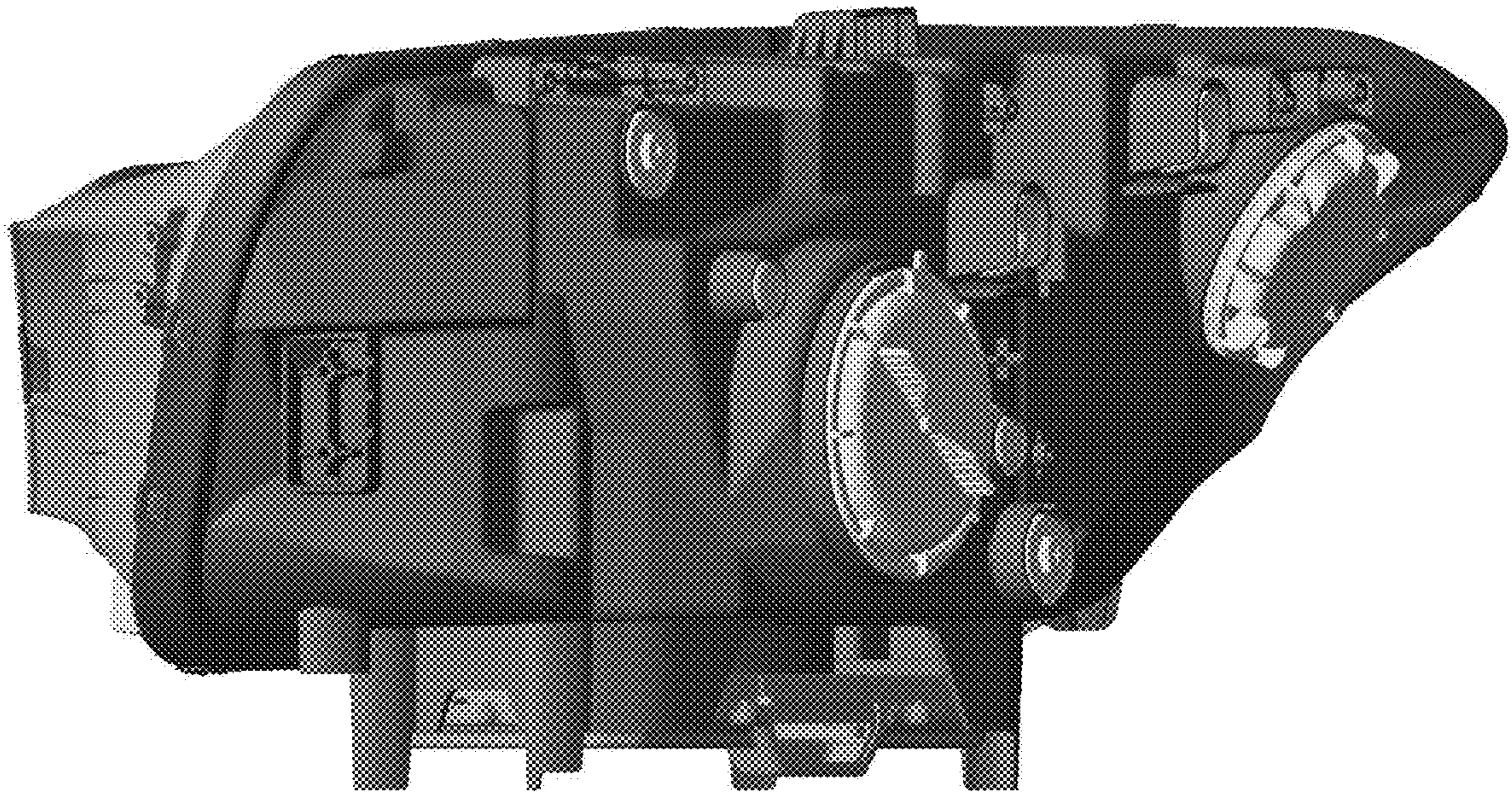
1.3



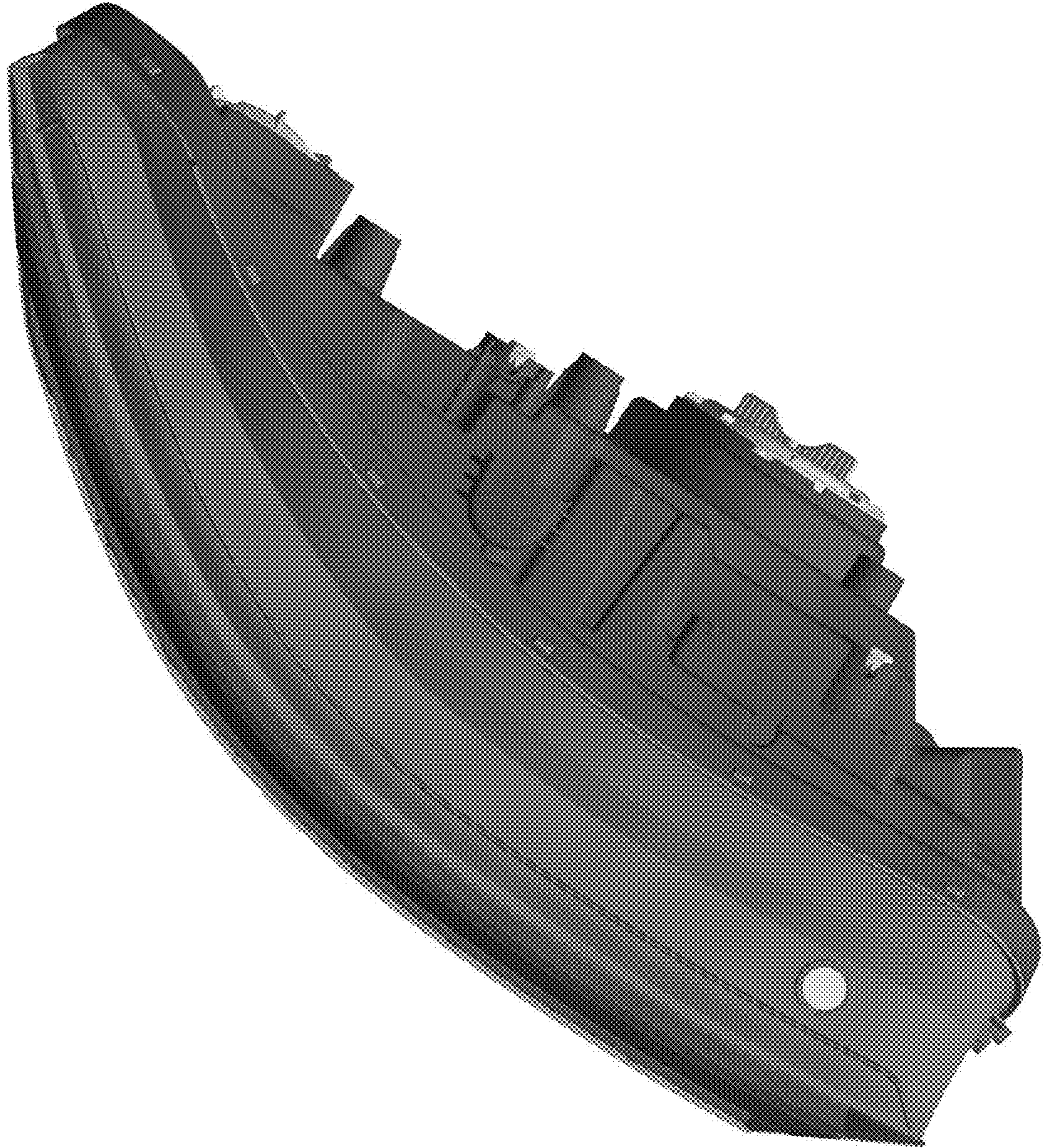
1.4



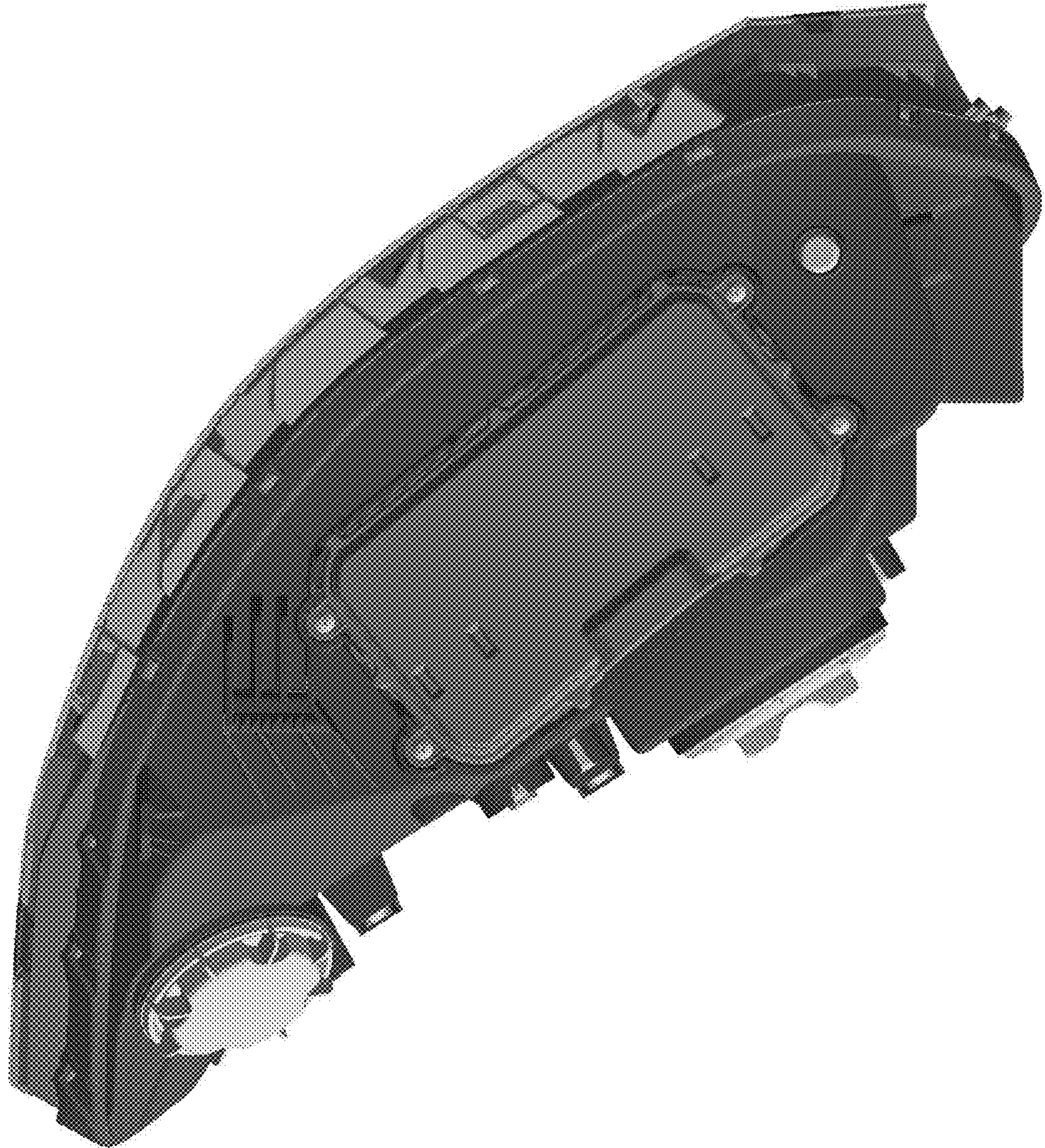
1.5



1.6



1.7



1.8

