



US00D981016S

(12) **United States Design Patent** (10) **Patent No.:** **US D981,016 S**  
**Oh et al.** (45) **Date of Patent:** **\*\* Mar. 14, 2023**

(54) **REAR COMBINATION LAMP FOR AN AUTOMOBILE**

F21S 41/141; F21S 41/162; F21S 41/18;  
F21S 41/20; F21S 41/33; F21S 41/36;  
F21S 41/60; F21S 43/00; F21V 21/04

(71) Applicants: **Hyundai Motor Company**, Seoul (KR); **Kia Corporation**, Seoul (KR)

See application file for complete search history.

(72) Inventors: **Se Jin Oh**, Seoul (KR); **Myung Jin Jung**, Hwaseong-si (KR); **Ji Hun Shin**, Ulsan (KR)

(56) **References Cited**

U.S. PATENT DOCUMENTS

(73) Assignees: **Hyundai Motor Company**, Seoul (KR); **Kia Corporation**, Seoul (KR)

D679,432	S	*	4/2013	Frenzel	.....	D26/28
D763,487	S	*	8/2016	Kwon	.....	D26/28
D869,021	S	*	12/2019	Allmendinger	.....	D26/28
D871,632	S	*	12/2019	Kim	.....	D26/28
D890,391	S	*	7/2020	Lee	.....	D26/28
D893,774	S	*	8/2020	Binder	.....	D26/28
D934,466	S	*	10/2021	Allmendinger	.....	D26/28
D935,651	S	*	11/2021	Hwang	.....	D26/28
D939,115	S	*	12/2021	Chen	.....	D26/28
D946,184	S	*	3/2022	Kim	.....	D26/28
D950,784	S	*	5/2022	Davis	.....	D26/28
D952,211	S	*	5/2022	Moon	.....	D26/28

(\*\*) Term: **15 Years**

(21) Appl. No.: **35/513,580**

(22) Filed: **Aug. 11, 2021**

\* cited by examiner

(80) **Hague Agreement Data**

Int. Filing Date: **Aug. 11, 2021**  
Int. Reg. No.: **DM/215880**  
Int. Reg. Date: **Aug. 11, 2021**  
Int. Reg. Pub. Date: **Feb. 11, 2022**

*Primary Examiner* — Angela J Lee

(74) *Attorney, Agent, or Firm* — Fox Rothschild LLP

(30) **Foreign Application Priority Data**

Feb. 22, 2021 (KR) ..... 30-2021-0008814

(51) **LOC (14) Cl.** ..... **26-06**

(52) **U.S. Cl.**  
USPC ..... **D26/28**

(58) **Field of Classification Search**  
USPC ..... D26/28, 29, 30, 31, 32, 33, 34, 35, 36,  
D26/139

CPC ..... F21W 2103/35; F21W 2103/40; F21W  
2102/17; F21W 2102/30; F21W 2103/00;  
F21W 2103/55; F21W 2104/00; F21W  
2107/17; F21W 2107/13; F21S 41/00;

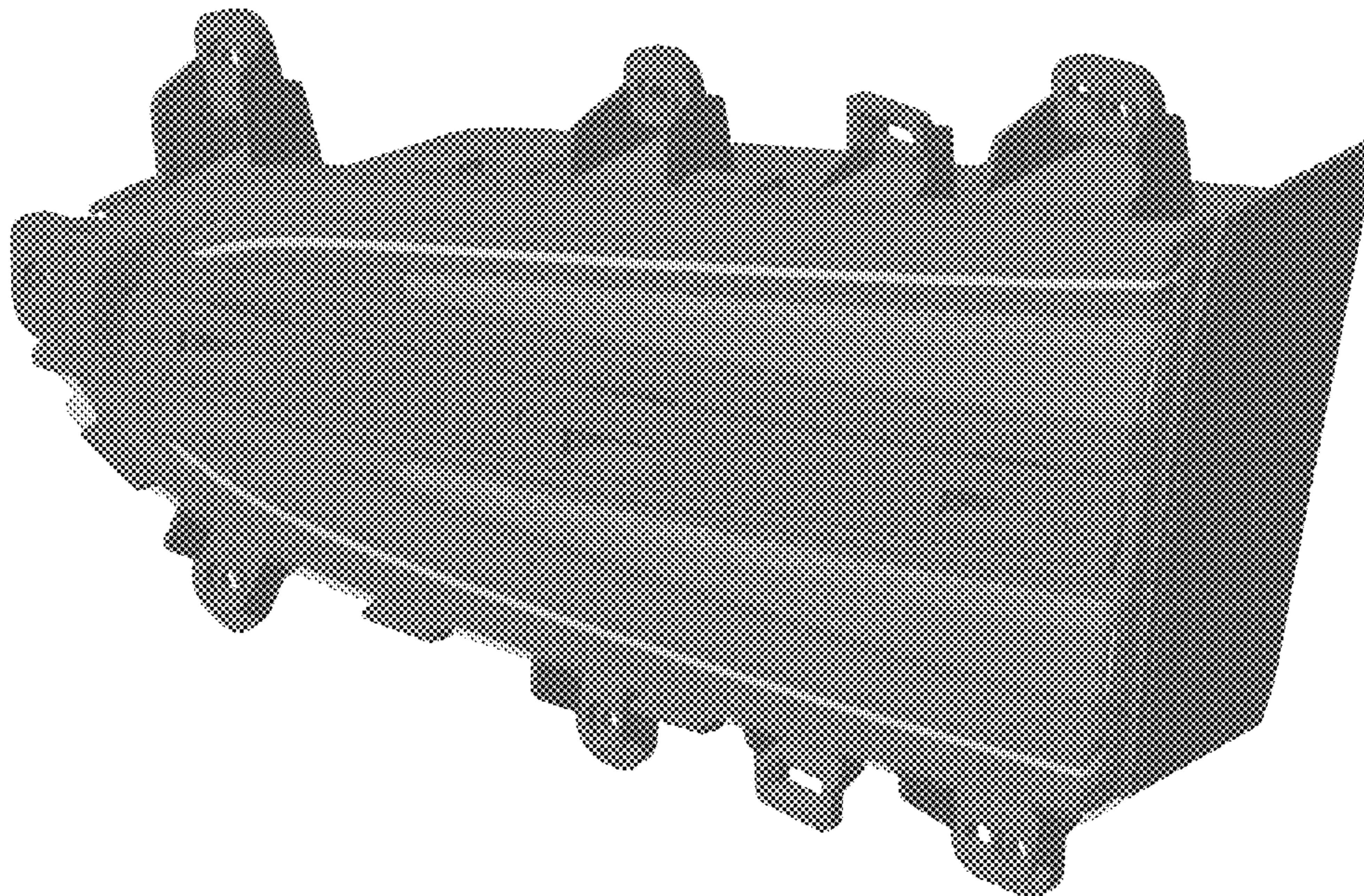
(57) **CLAIM**

The ornamental design for a rear combination lamp for an automobile, as shown and described.

**DESCRIPTION**

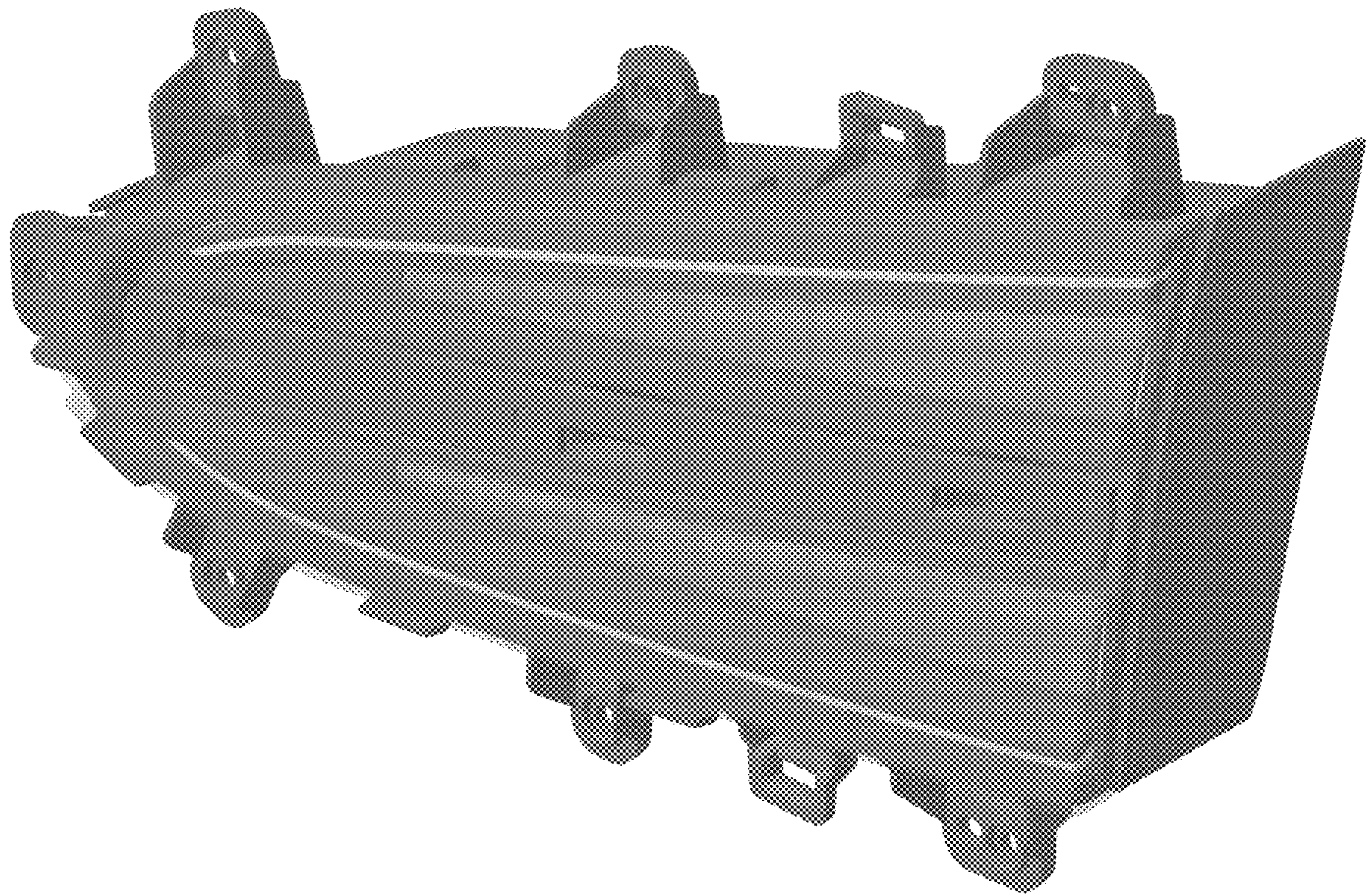
- 1. Rear combination lamp for an automobile
- 1.1 : Perspective
- 1.2 : Front
- 1.3 : Back
- 1.4 : Left
- 1.5 : Right
- 1.6 : Top
- 1.7 : Bottom

**1 Claim, 7 Drawing Sheets**

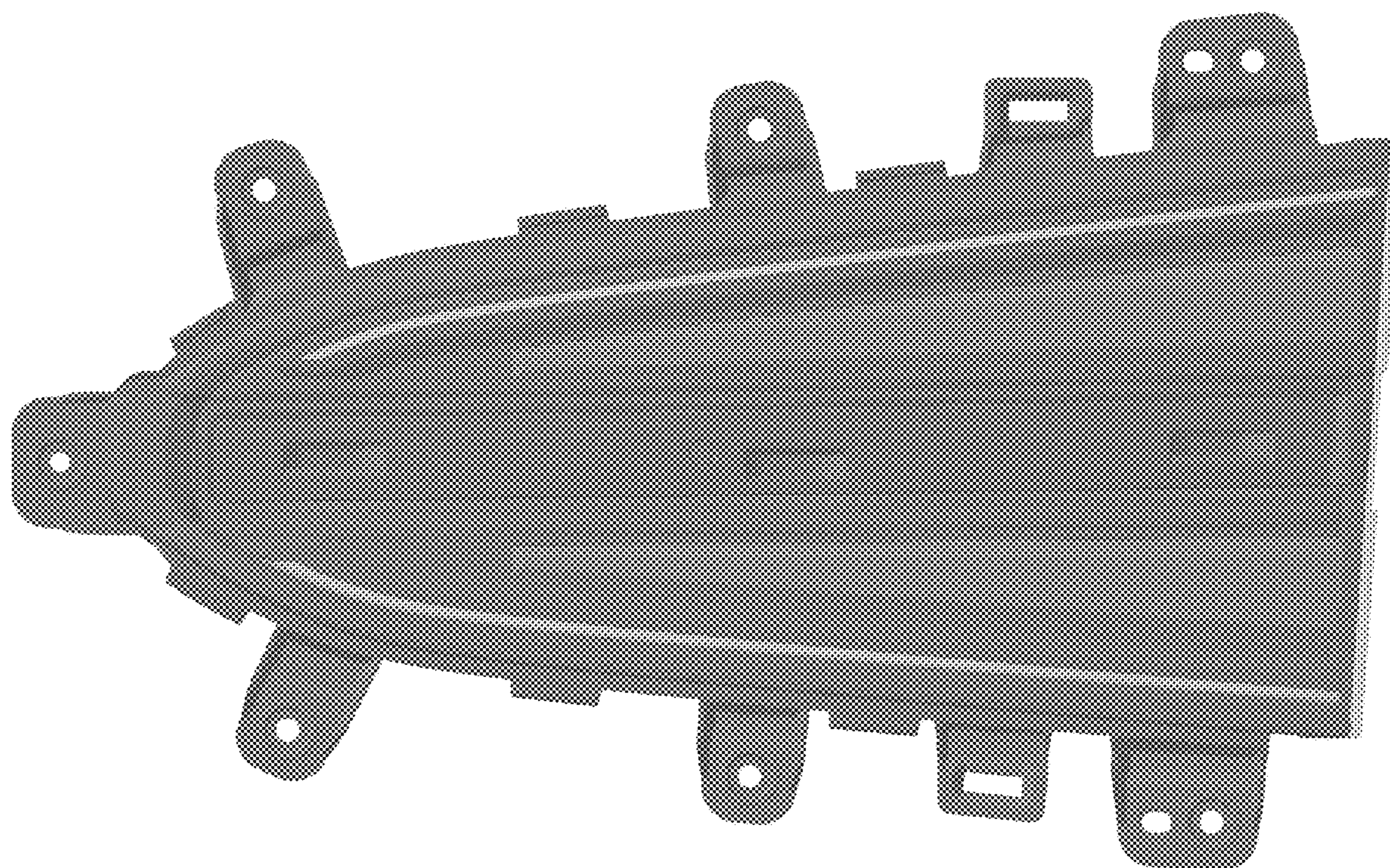




1.1

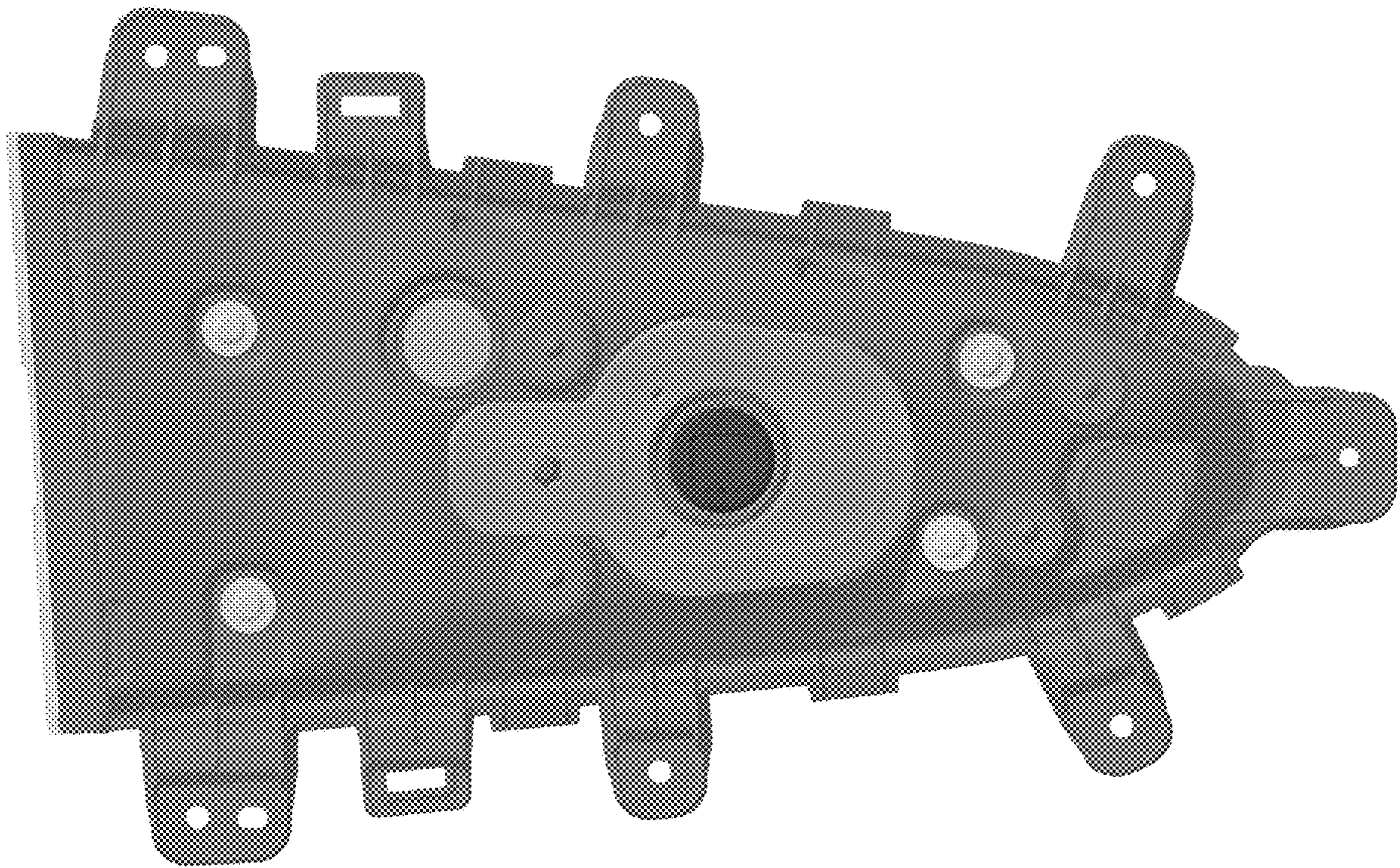


1.2

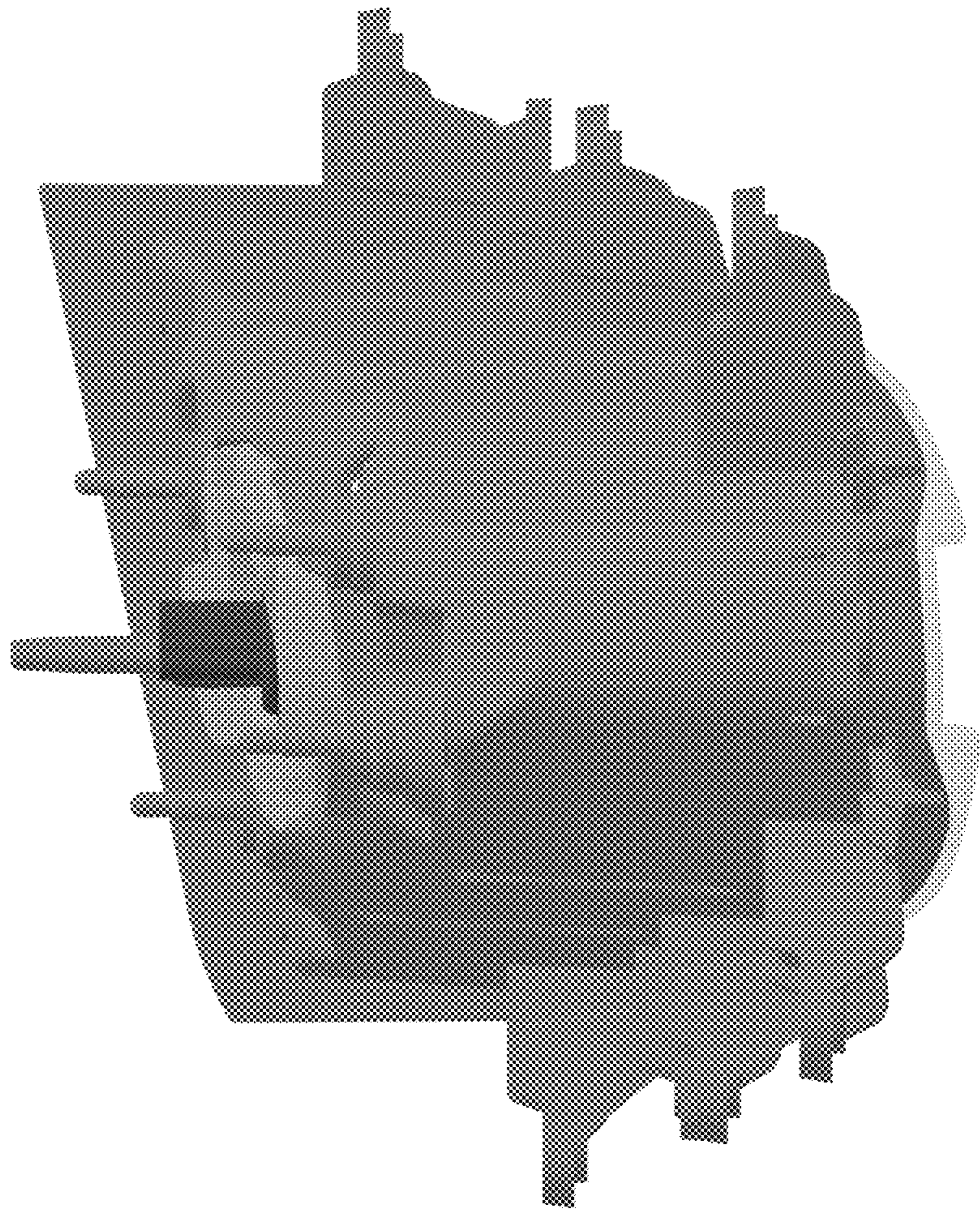




1.3

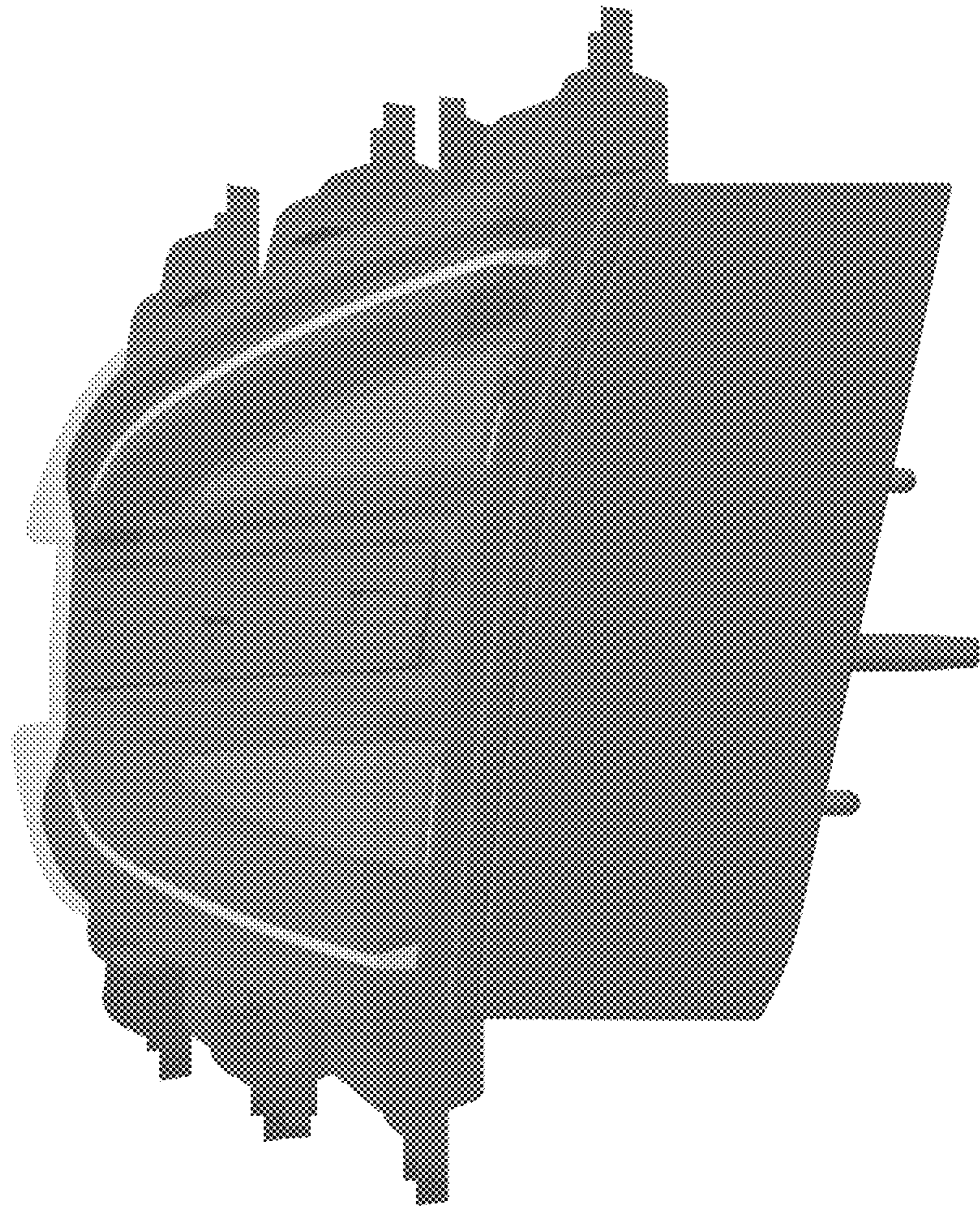


1.4

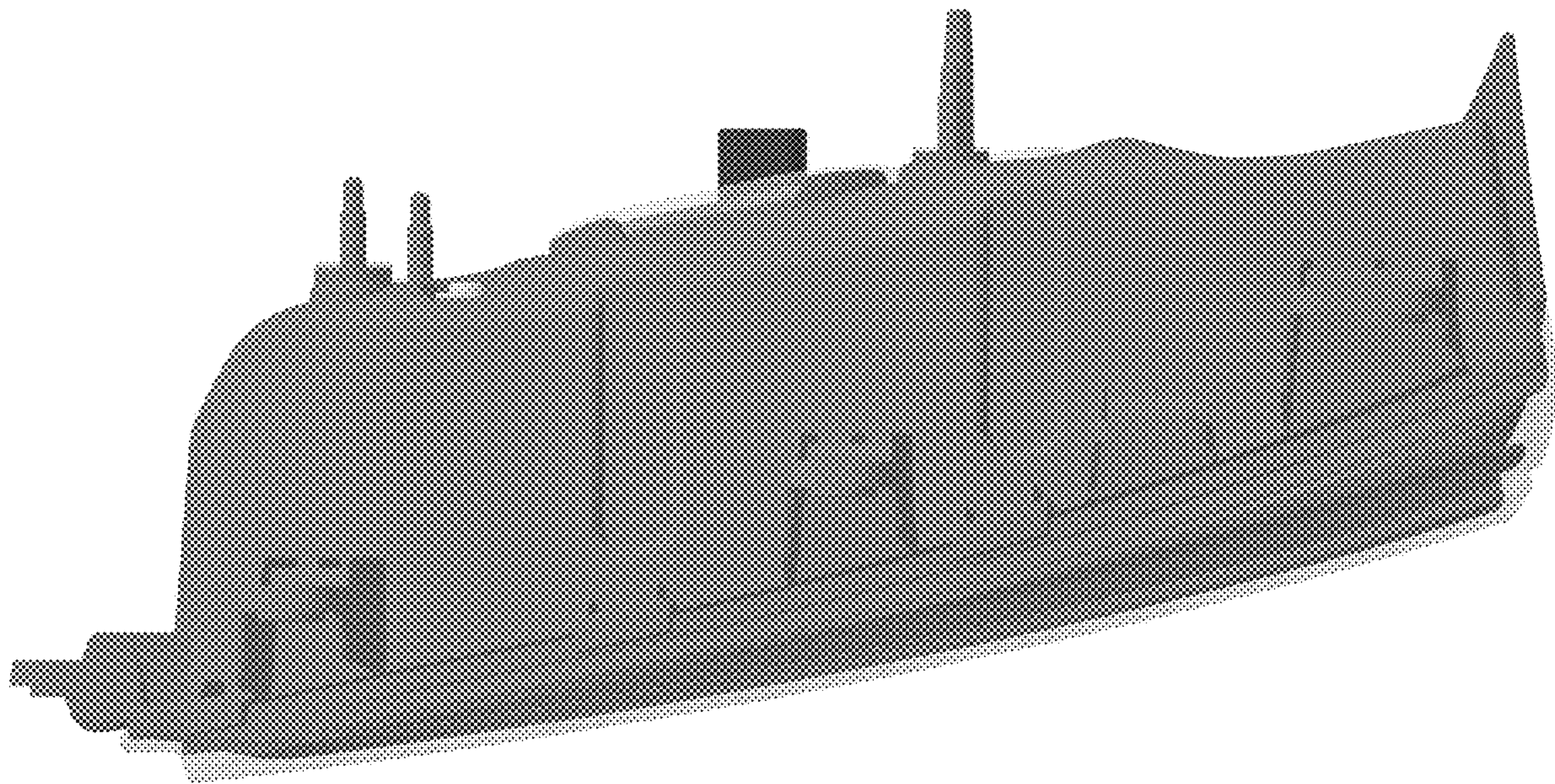




1.5



1.6



1.7

