



US00D981015S

(12) **United States Design Patent** (10) **Patent No.:** **US D981,015 S**
Oh et al. (45) **Date of Patent:** **** Mar. 14, 2023**

(54) **REAR COMBINATION LAMP FOR AN AUTOMOBILE**

F21S 41/20; F21S 41/33; F21S 41/36;
F21S 41/60; F21S 43/00; F21V 21/04

See application file for complete search history.

(71) Applicants: **Hyundai Motor Company**, Seoul (KR); **Kia Corporation**, Seoul (KR)

(56) **References Cited**

(72) Inventors: **Se Jin Oh**, Seoul (KR); **Myung Jin Jung**, Hwaseong-si (KR); **Ji Hun Shin**, Ulsan (KR)

U.S. PATENT DOCUMENTS

(73) Assignees: **Hyundai Motor Company**, Seoul (KR); **Kia Corporation**, Seoul (KR)

D548,377 S *	8/2007	Markefka	D26/28
D884,937 S *	5/2020	Zhai	D26/28
D884,938 S *	5/2020	Zhai	D26/28
D893,774 S *	8/2020	Binder	D26/28
D919,858 S *	5/2021	Park	D26/28
D934,464 S *	10/2021	Allmendinger	D26/28
D935,652 S *	11/2021	Hwang	D26/28
D939,741 S *	12/2021	Chen	D26/28
D944,427 S *	2/2022	Tovey	D26/28
D946,795 S *	3/2022	Kim	D26/28
D948,759 S *	4/2022	Jung	F21S 2/00 D26/28
D966,578 S *	10/2022	Thomas	D26/28

(**) Term: **15 Years**

(21) Appl. No.: **35/513,560**

(22) Filed: **Aug. 11, 2021**

* cited by examiner

(80) **Hague Agreement Data**

Int. Filing Date: **Aug. 11, 2021**

Int. Reg. No.: **DM/215881**

Int. Reg. Date: **Aug. 11, 2021**

Int. Reg. Pub. Date: **Feb. 11, 2022**

Primary Examiner — Angela J Lee

(74) *Attorney, Agent, or Firm* — Fox Rothschild LLP

(30) **Foreign Application Priority Data**

Feb. 22, 2021 (KR) 30-2021-0008813

(51) **LOC (14) Cl.** **26-06**

(52) **U.S. Cl.**
USPC **D26/28**

(58) **Field of Classification Search**
USPC D26/28, 29, 30, 31, 32, 33, 34, 35, 36,
D26/139

CPC F21W 2103/35; F21W 2103/40; F21W 2102/17; F21W 2102/30; F21W 2103/00; F21W 2103/55; F21W 2104/00; F21W 2107/17; F21W 2107/13; F21S 41/00; F21S 41/141; F21S 41/162; F21S 41/18;

(57) **CLAIM**

The ornamental design for a rear combination lamp for an automobile, as shown and described.

DESCRIPTION

1. Rear combination lamp for an automobile

1.1 : Perspective

1.2 : Front

1.3 : Back

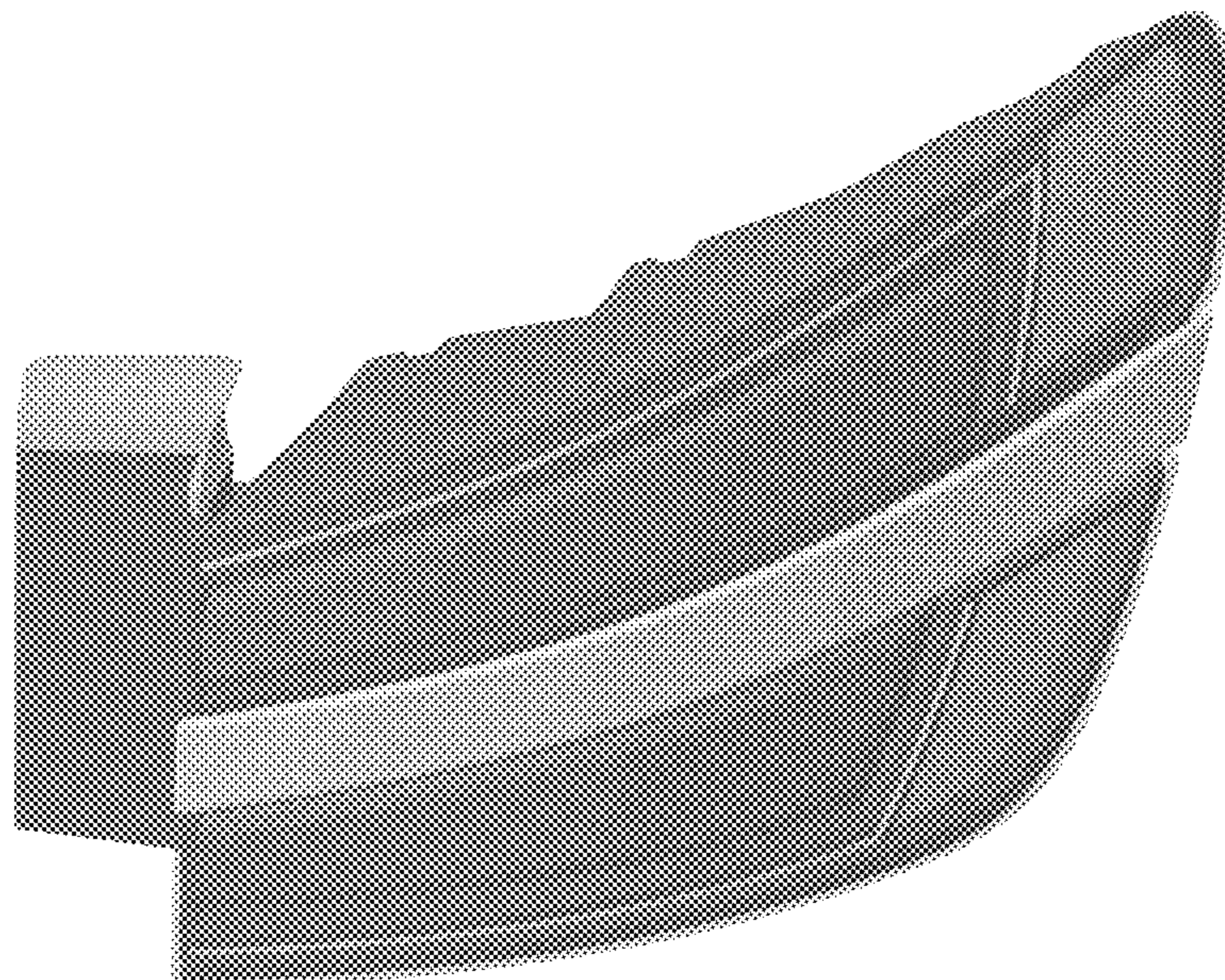
1.4 : Left

1.5 : Right

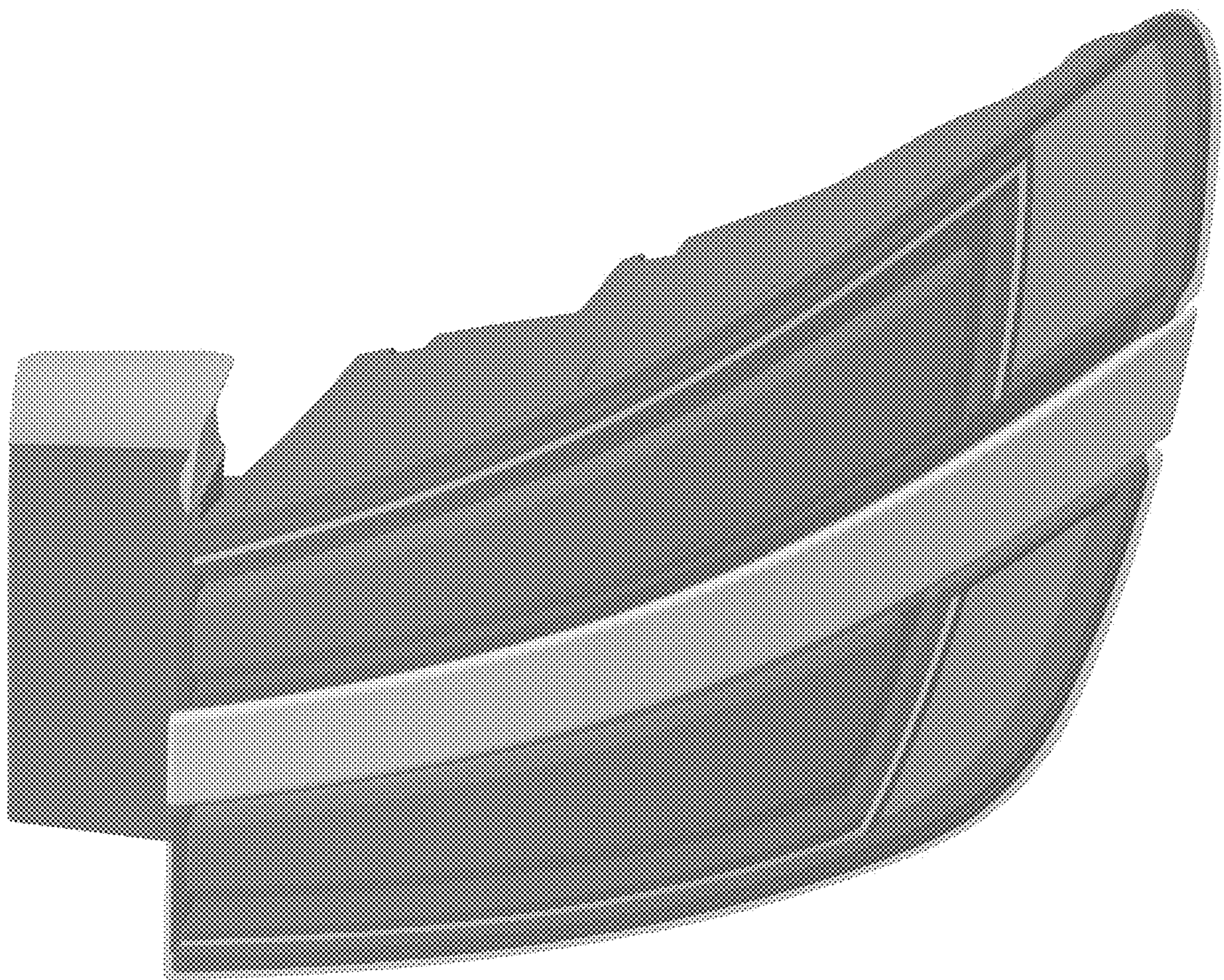
1.6 : Top

1.7 : Bottom

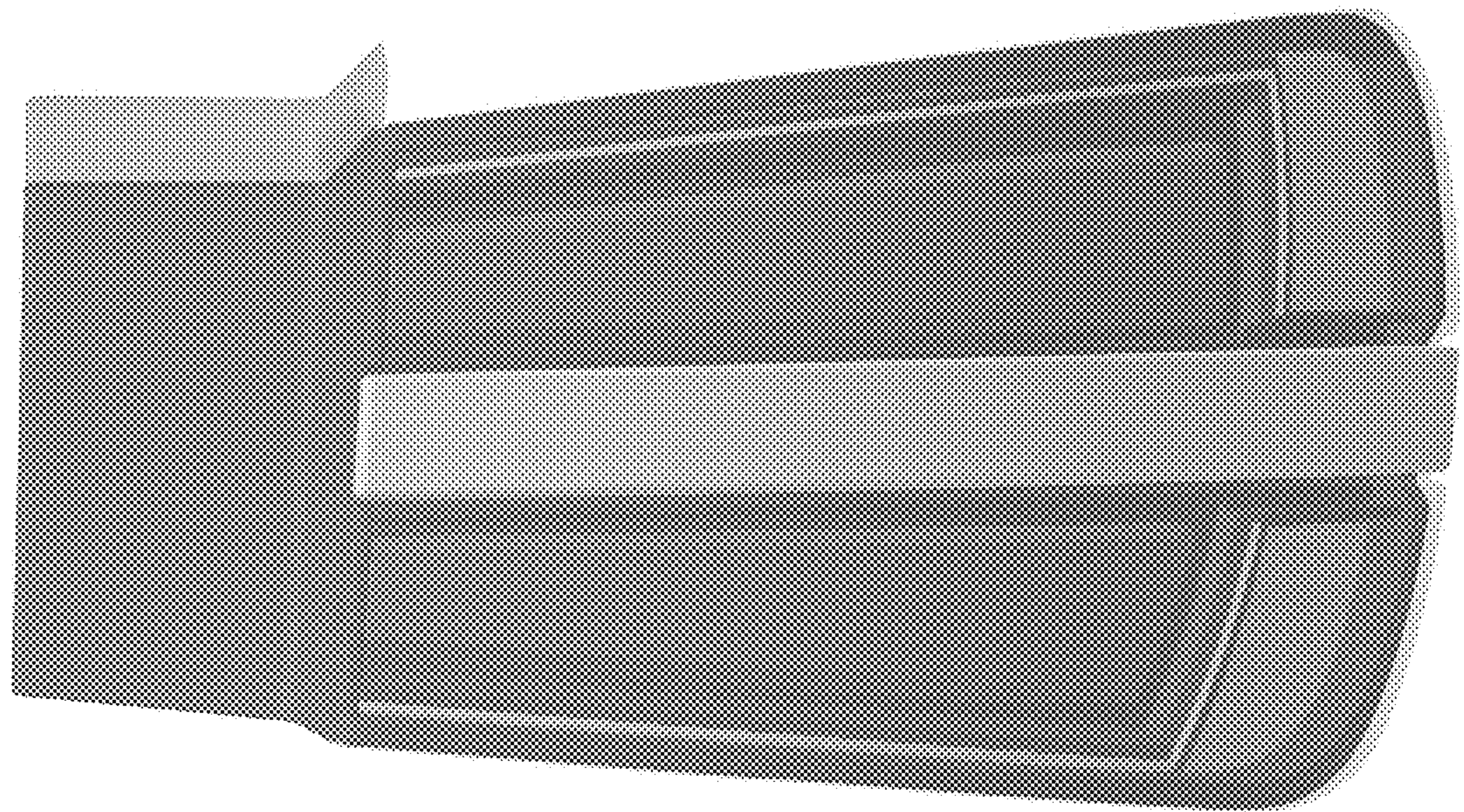
1 Claim, 7 Drawing Sheets



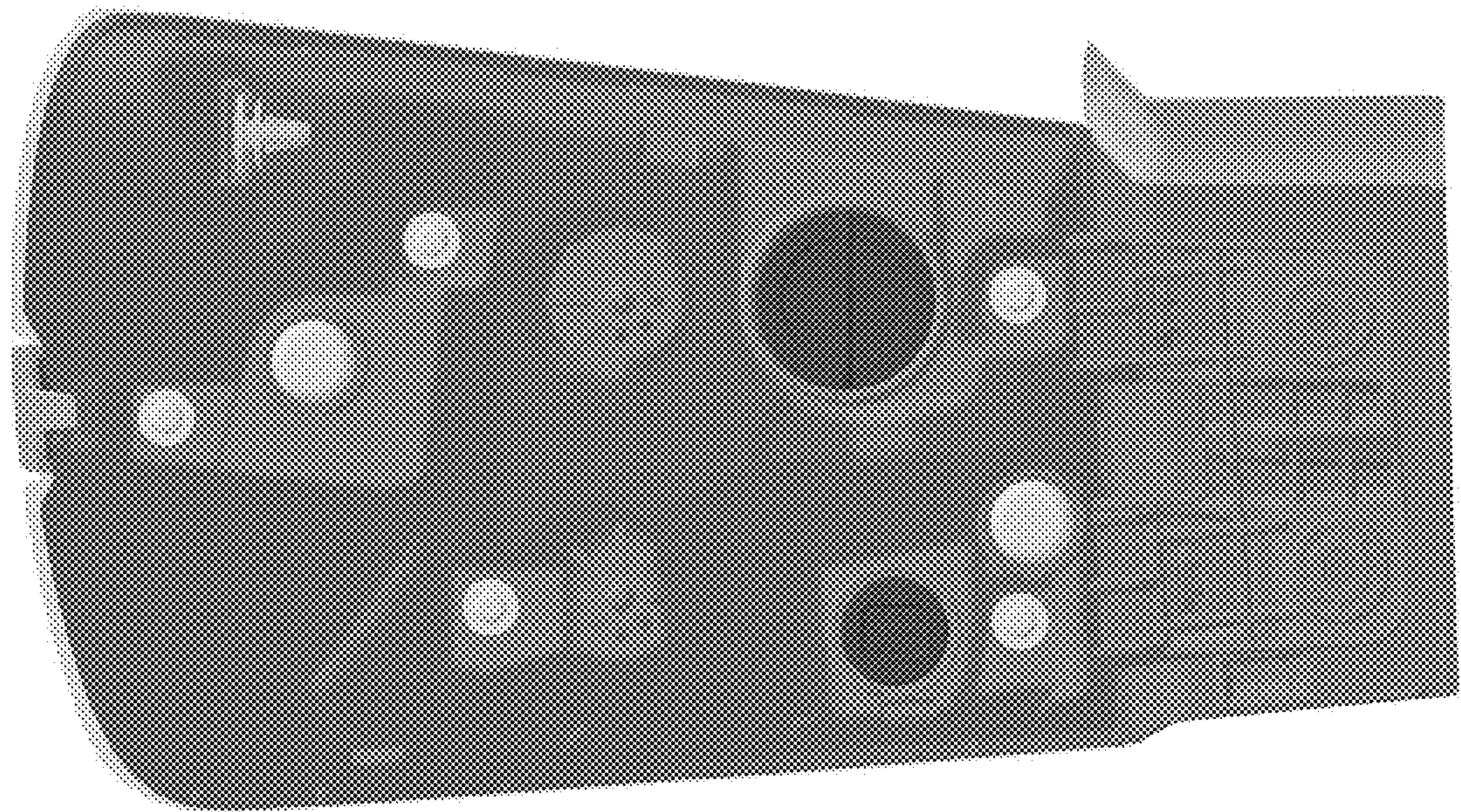
1.1



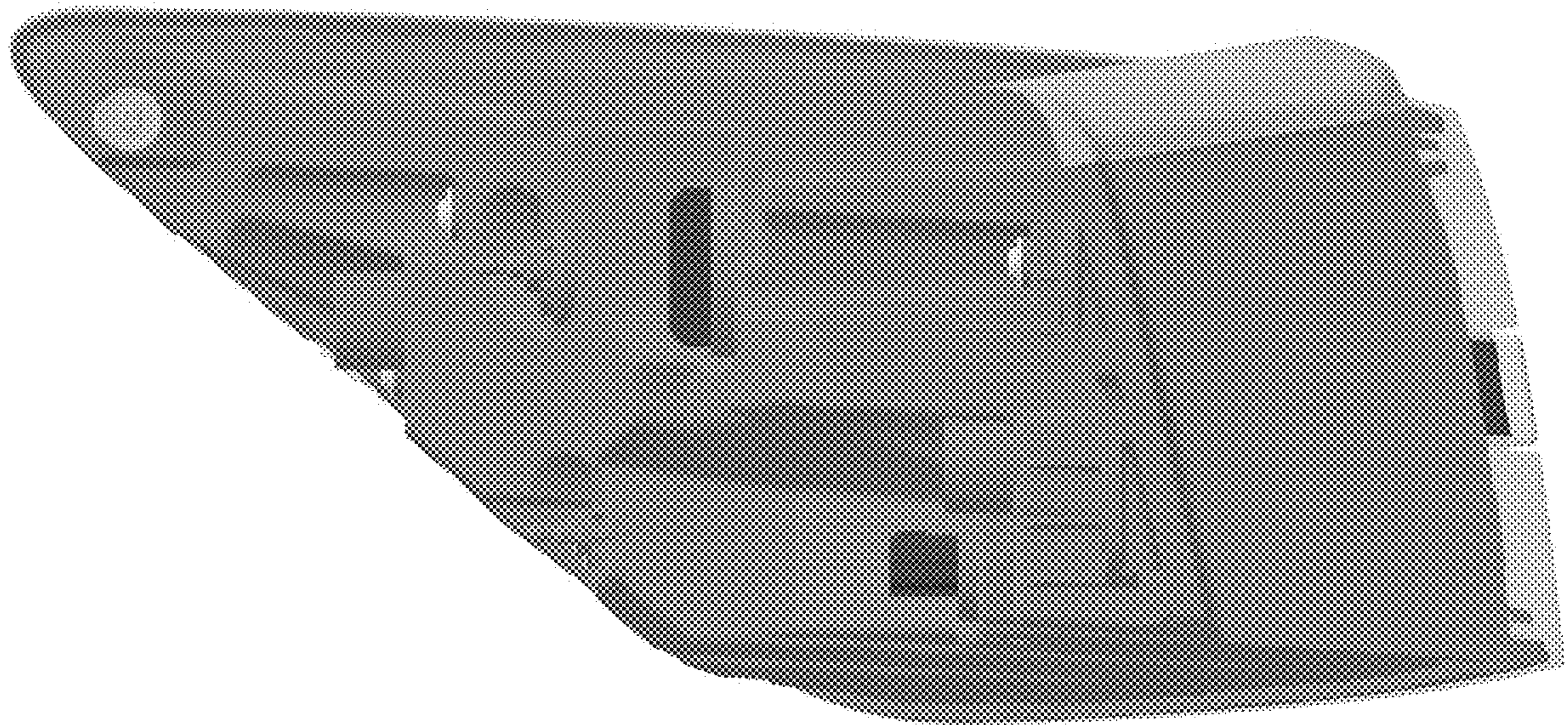
1.2



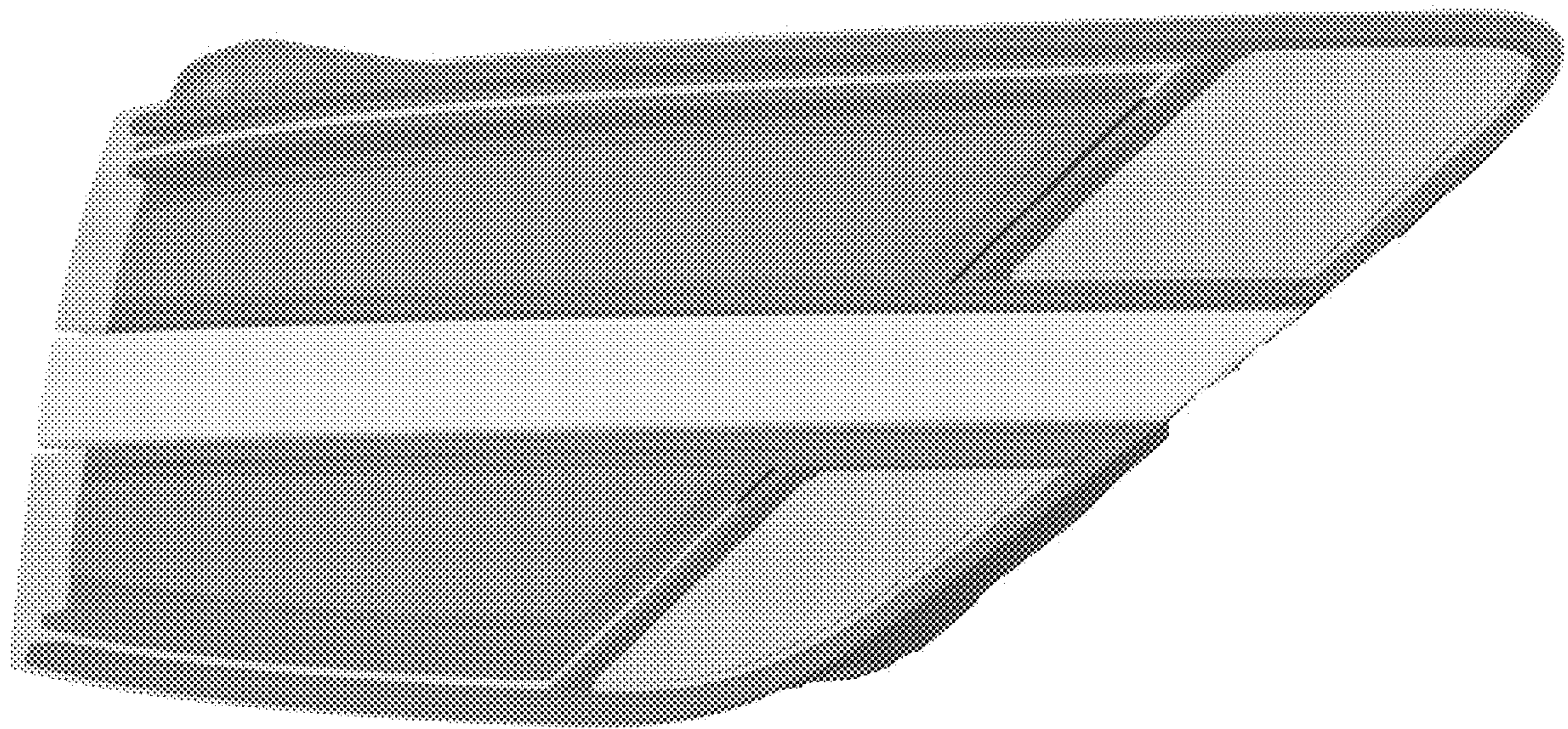
1.3



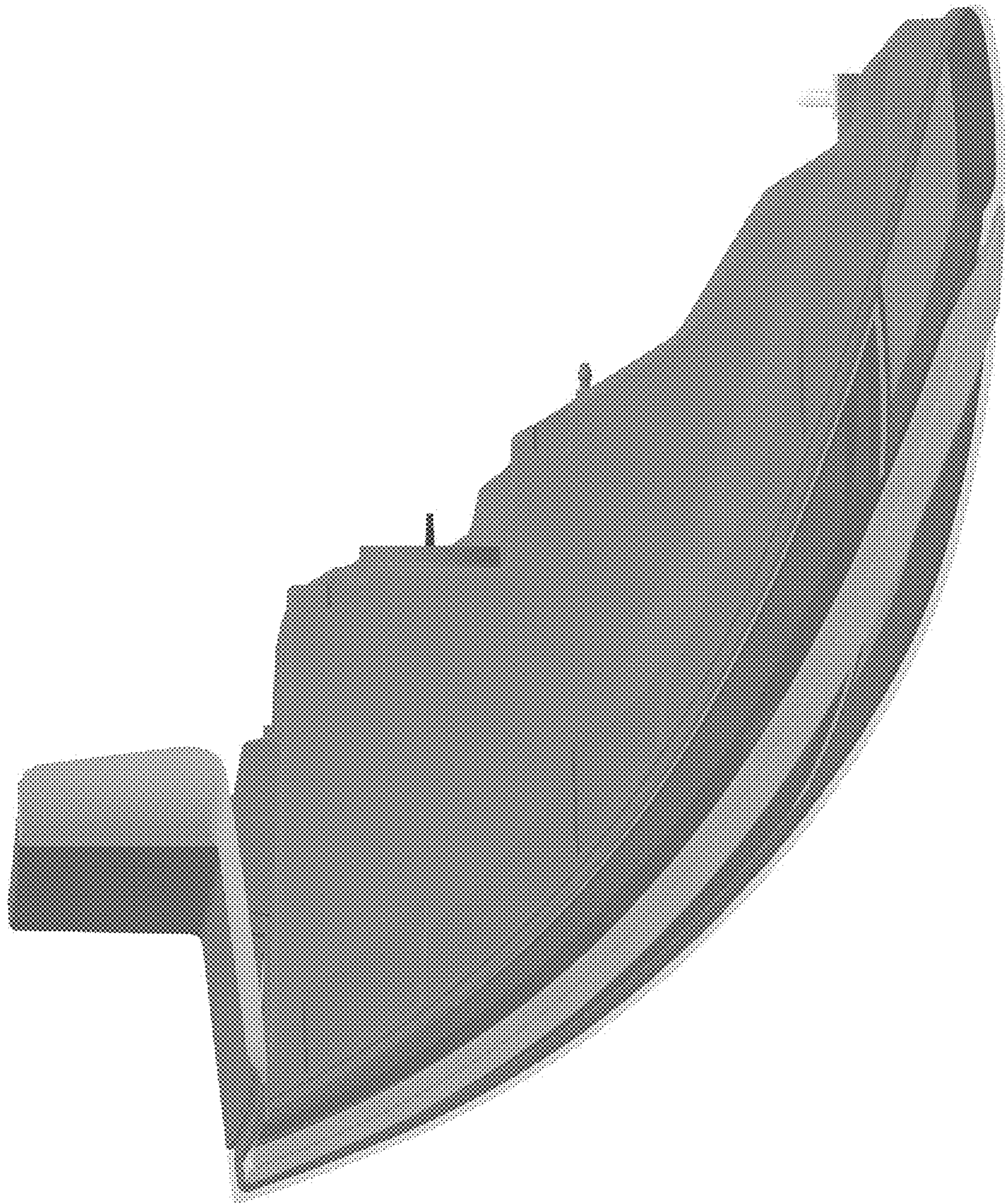
1.4



1.5



1.6



1.7

