



US00D981013S

(12) **United States Design Patent**
Tan

(10) **Patent No.:** **US D981,013 S**

(45) **Date of Patent:** **** Mar. 14, 2023**

(54) **VEHICLE LIGHT**

(71) Applicant: **NINGBO ZHUOCHI AUTO PARTS TECHNOLOGY CO., LTD**, Cixi (CN)

(72) Inventor: **Wenfu Tan**, Hunan (CN)

(73) Assignee: **NINGBO ZHUOCHI AUTO PARTS TECHNOLOGY CO., LTD**, Cixi (CN)

(**) Term: **15 Years**

(21) Appl. No.: **29/833,124**

(22) Filed: **Apr. 1, 2022**

(51) **LOC (14) Cl.** **26-06**

(52) **U.S. Cl.**
USPC **D26/28**

(58) **Field of Classification Search**
USPC D26/28, 29, 30, 31, 32, 33, 34, 35, 36, D26/139
CPC F21W 2103/35; F21W 2103/40; F21W 2102/17; F21W 2102/30; F21W 2103/00; F21W 2103/55; F21W 2104/00; F21W 2107/17; F21W 2107/13; F21S 41/00; F21S 41/141; F21S 41/162; F21S 41/18; F21S 41/20; F21S 41/33; F21S 41/36; F21S 41/60; F21S 43/00; F21V 21/04
See application file for complete search history.

(56) **References Cited**

U.S. PATENT DOCUMENTS

D855,848 S * 8/2019 Lai D26/28
D863,626 S * 10/2019 Lin D26/28
D882,134 S * 4/2020 Wu D26/28
D887,600 S * 6/2020 Yun D26/35
D893,063 S * 8/2020 He D26/28

D905,877 S * 12/2020 Wu D26/28
D912,859 S * 3/2021 Wu D26/28
D920,551 S * 5/2021 Lin D26/28
D921,243 S * 6/2021 He D26/28
D928,361 S * 8/2021 Lin D26/28
D939,113 S 12/2021 Wu
D954,310 S * 6/2022 Lin D26/28
D957,012 S * 7/2022 Lin D26/28

* cited by examiner

Primary Examiner — Angela J Lee

(74) *Attorney, Agent, or Firm* — ScienBiziP, P.C.

(57) **CLAIM**

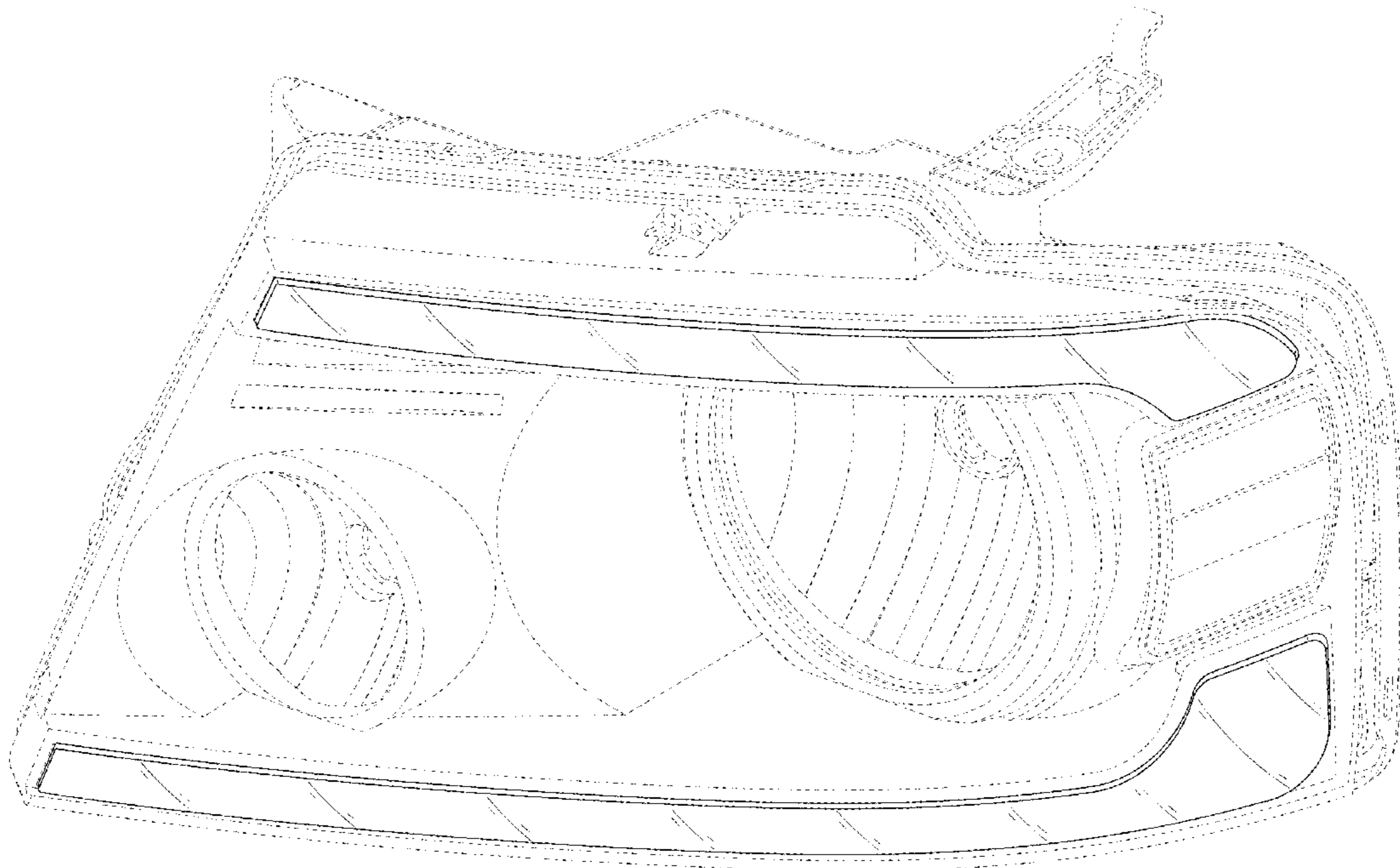
The ornamental design for a vehicle light, as shown and described.

DESCRIPTION

FIG. 1 is a front and top perspective view of a vehicle light, showing my new design;
FIG. 2 is a rear and bottom perspective view thereof;
FIG. 3 is a front elevation view thereof;
FIG. 4 is a rear elevation view thereof;
FIG. 5 is a left side elevation view thereof;
FIG. 6 is a right side elevation view thereof;
FIG. 7 is a top plan view thereof;
FIG. 8 is a bottom plan view thereof;
FIG. 9 is a perspective view of vehicle light in use state; and,
FIG. 10 is another perspective view of vehicle light in use state.

The broken lines in the figures illustrate portions of the vehicle light that form no part of the claimed design. The radiating dot-dash broken lines form no part of the claimed design.

1 Claim, 10 Drawing Sheets



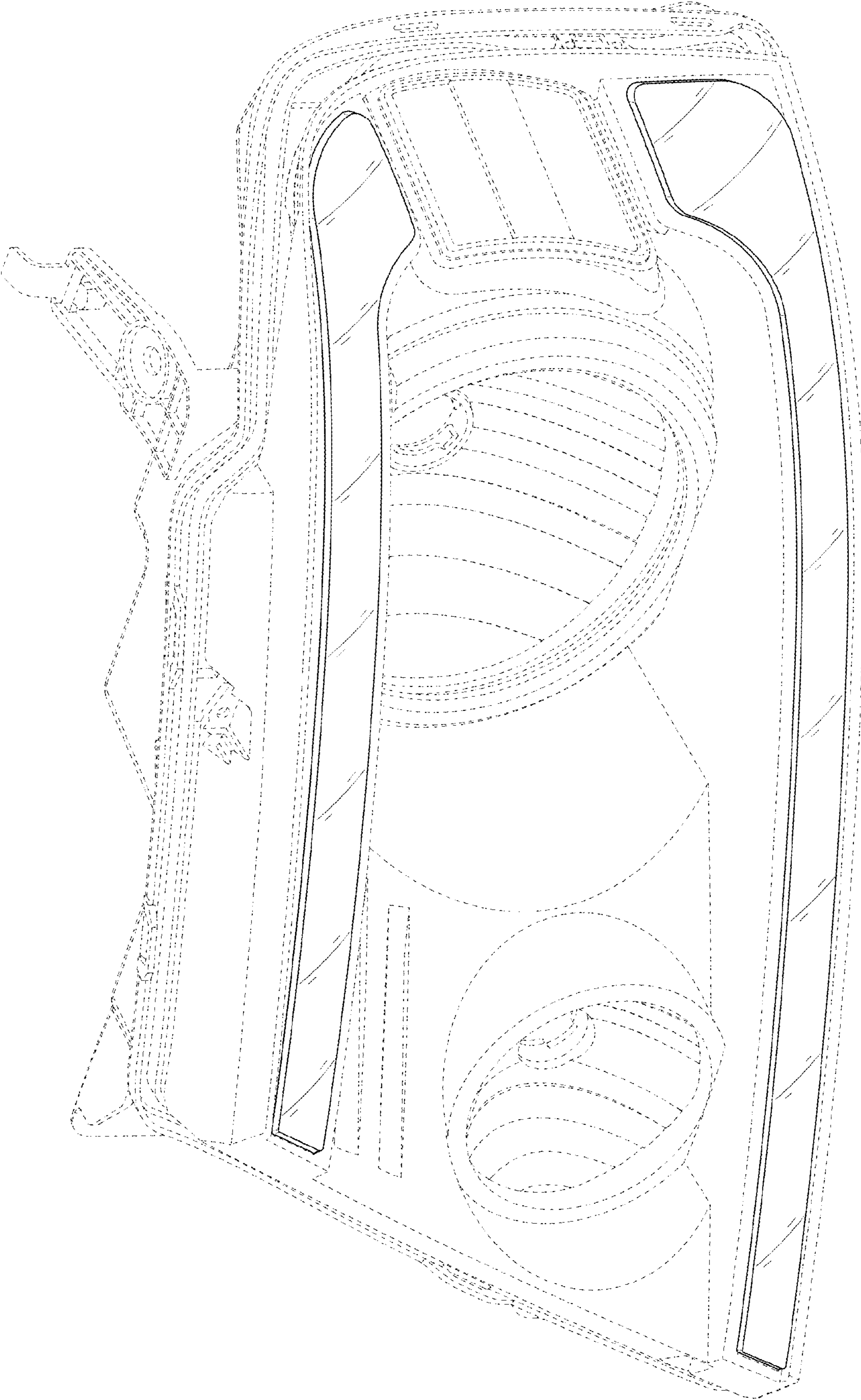


FIG. 1

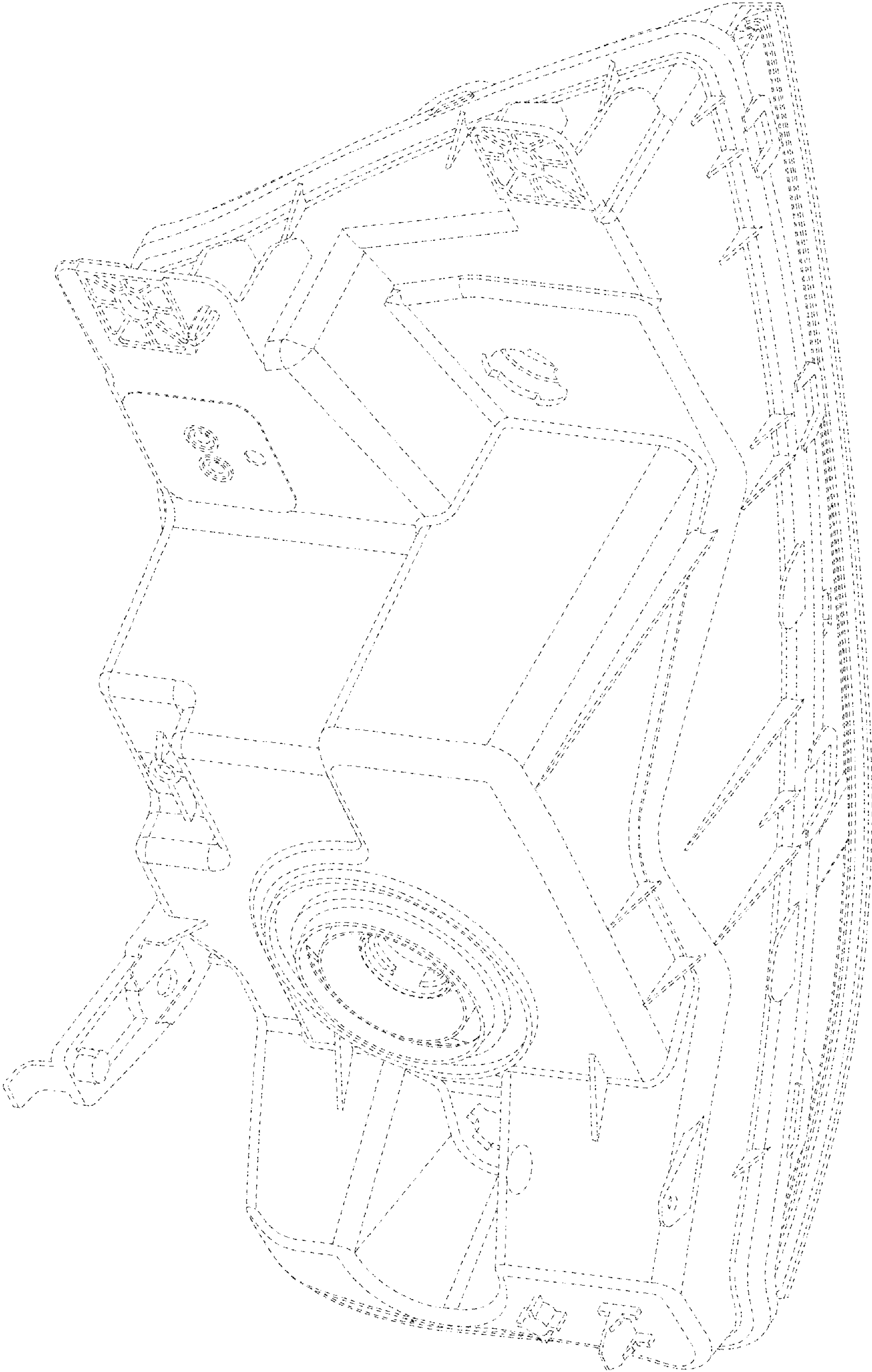


FIG. 2

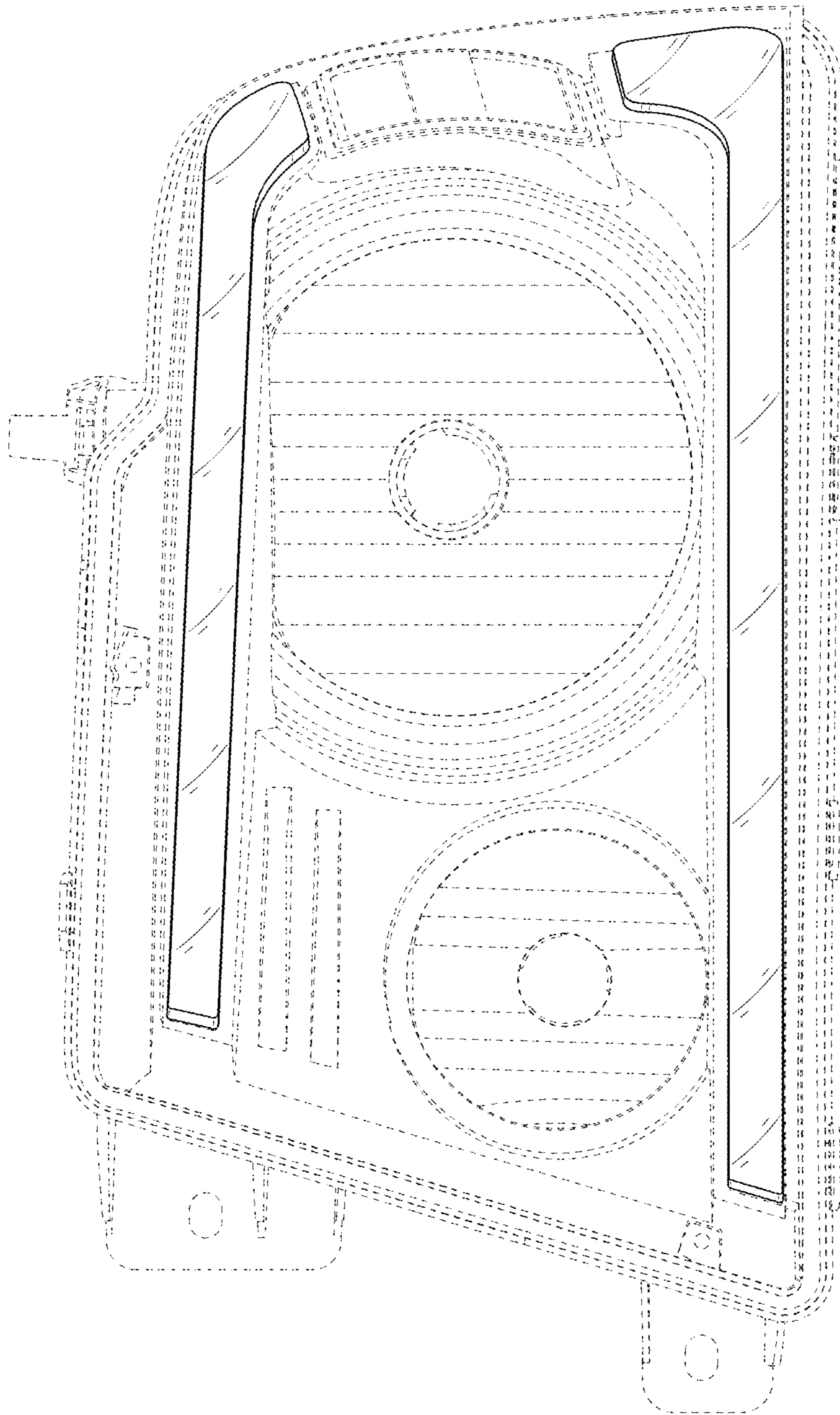


FIG. 3

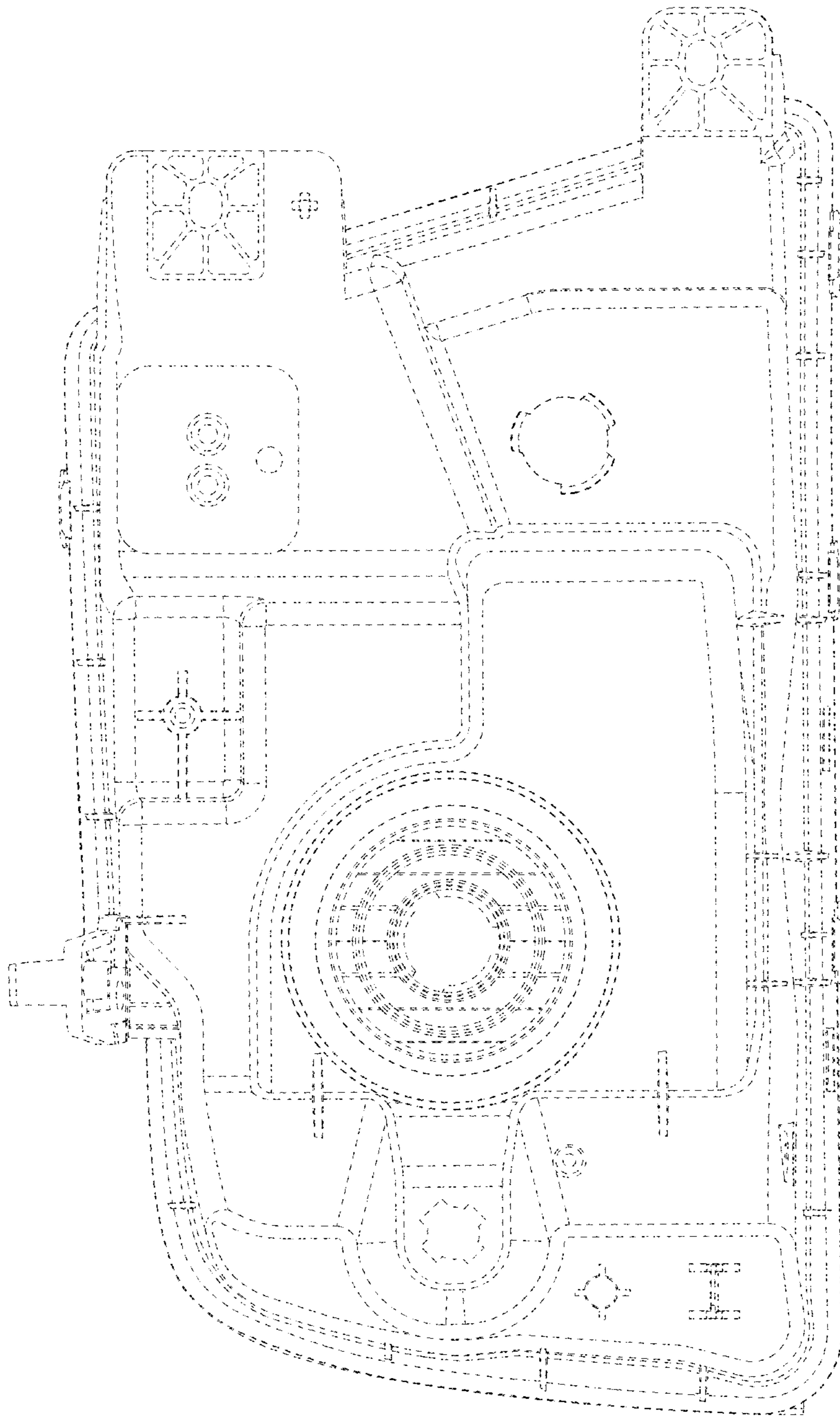


FIG. 4

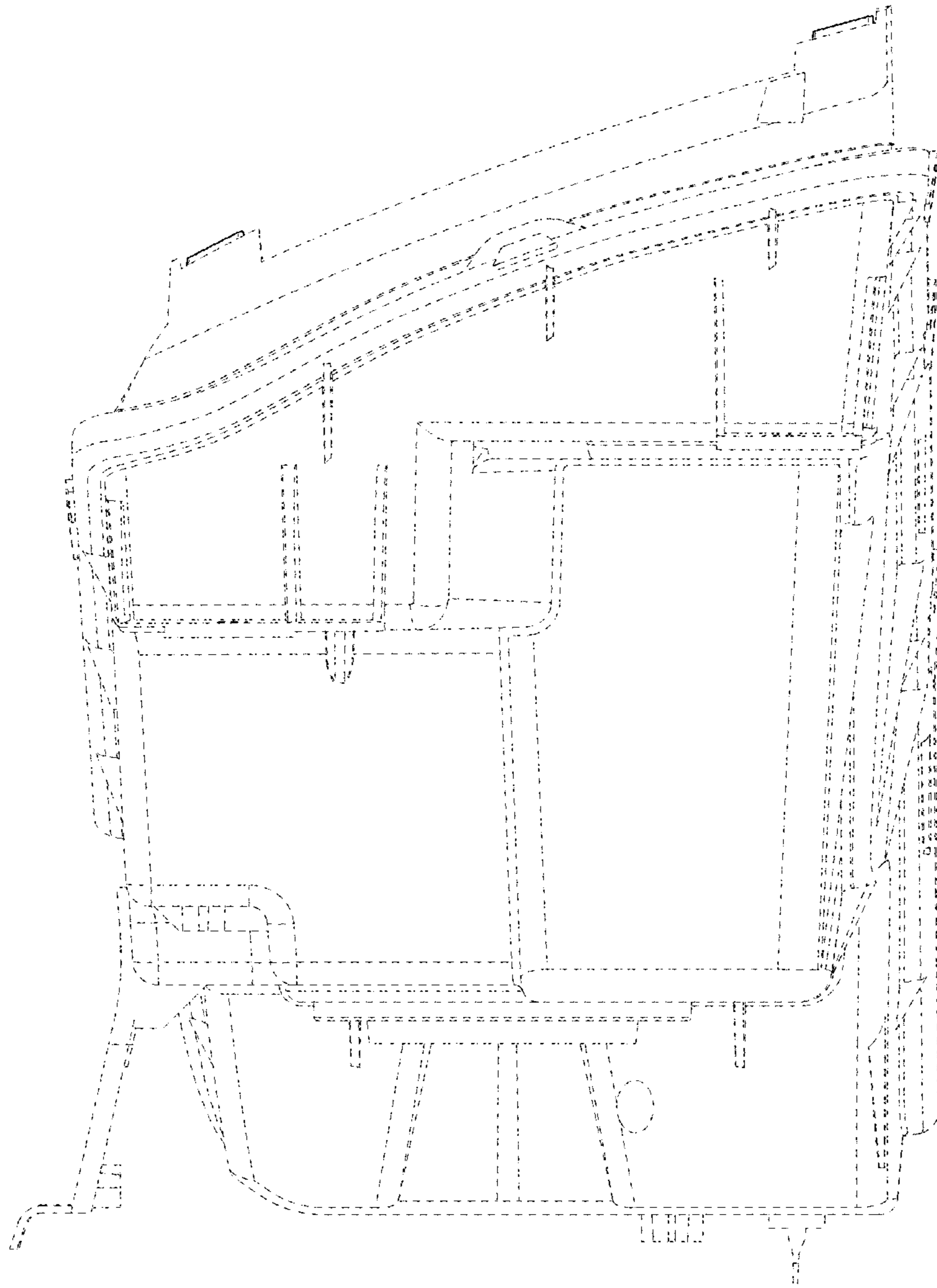


FIG. 5

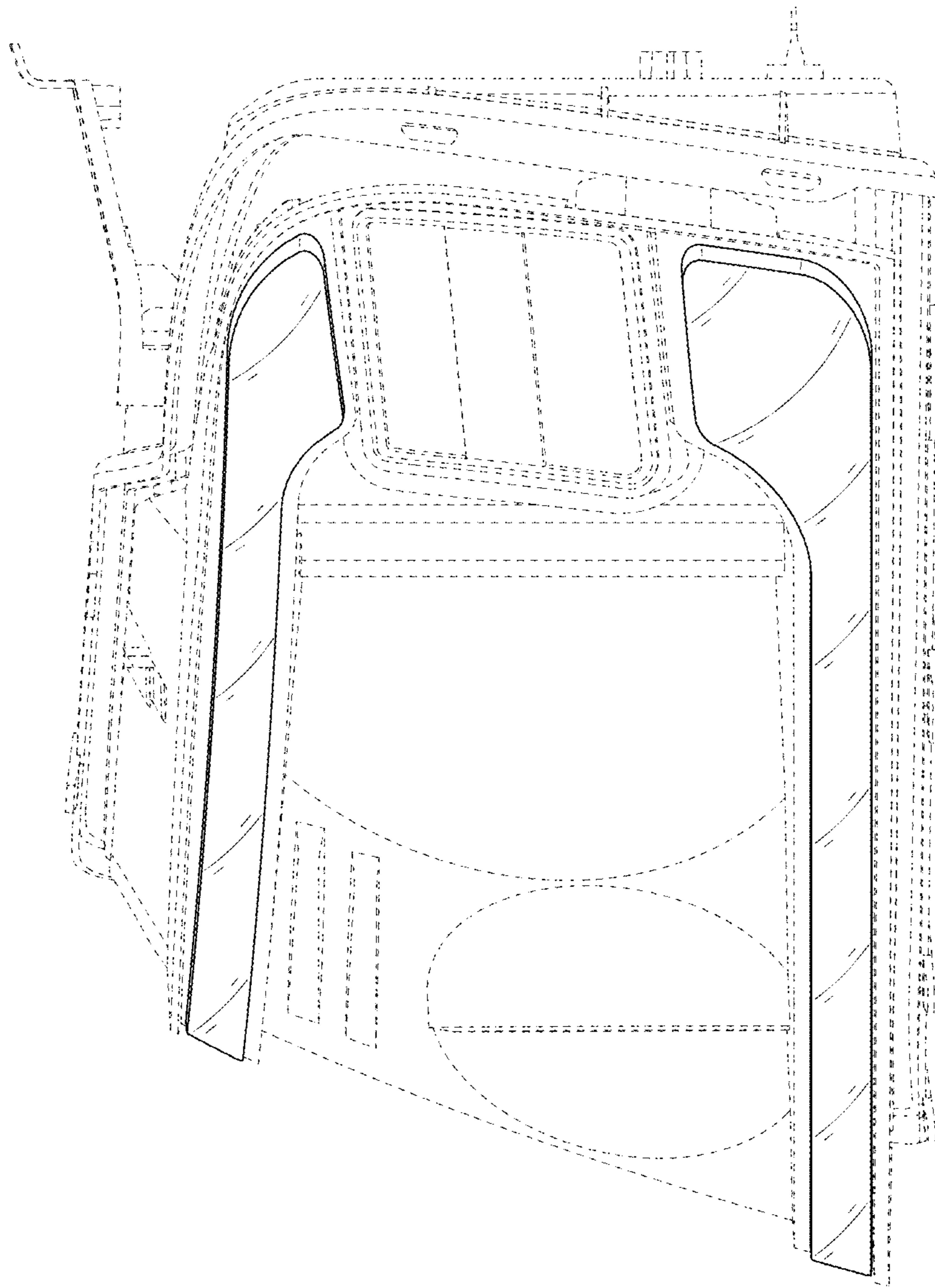


FIG. 6

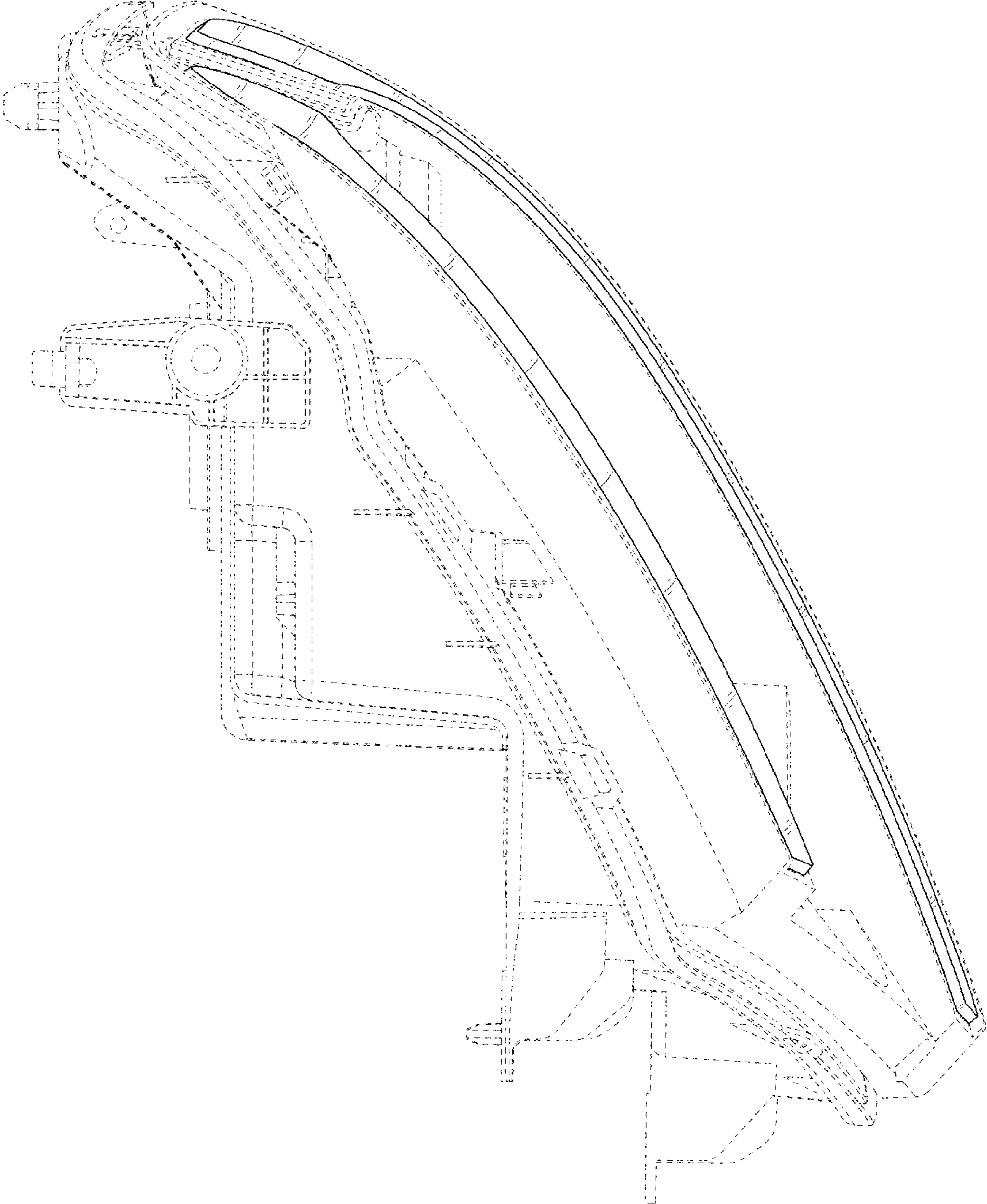


FIG. 7

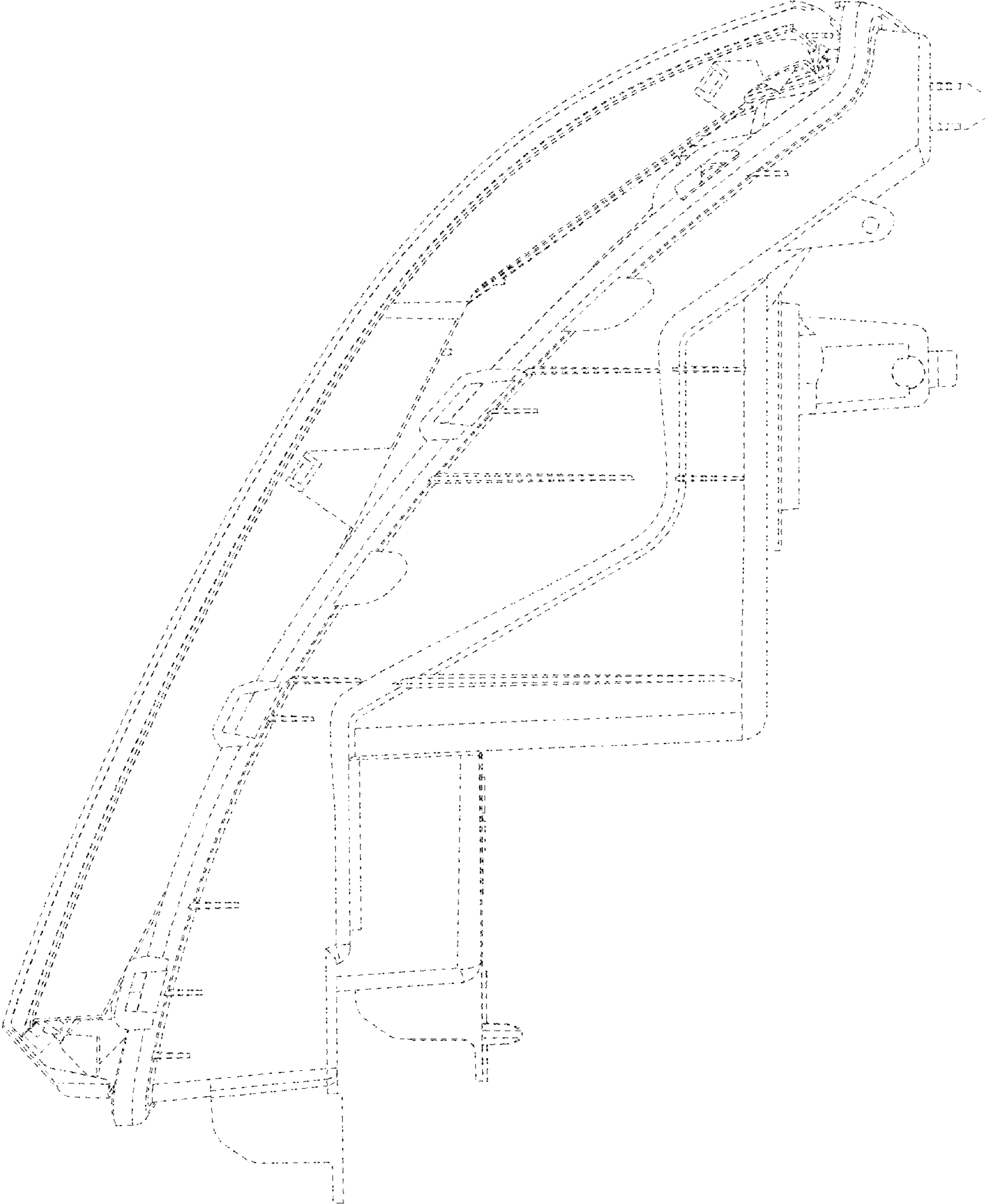


FIG. 8

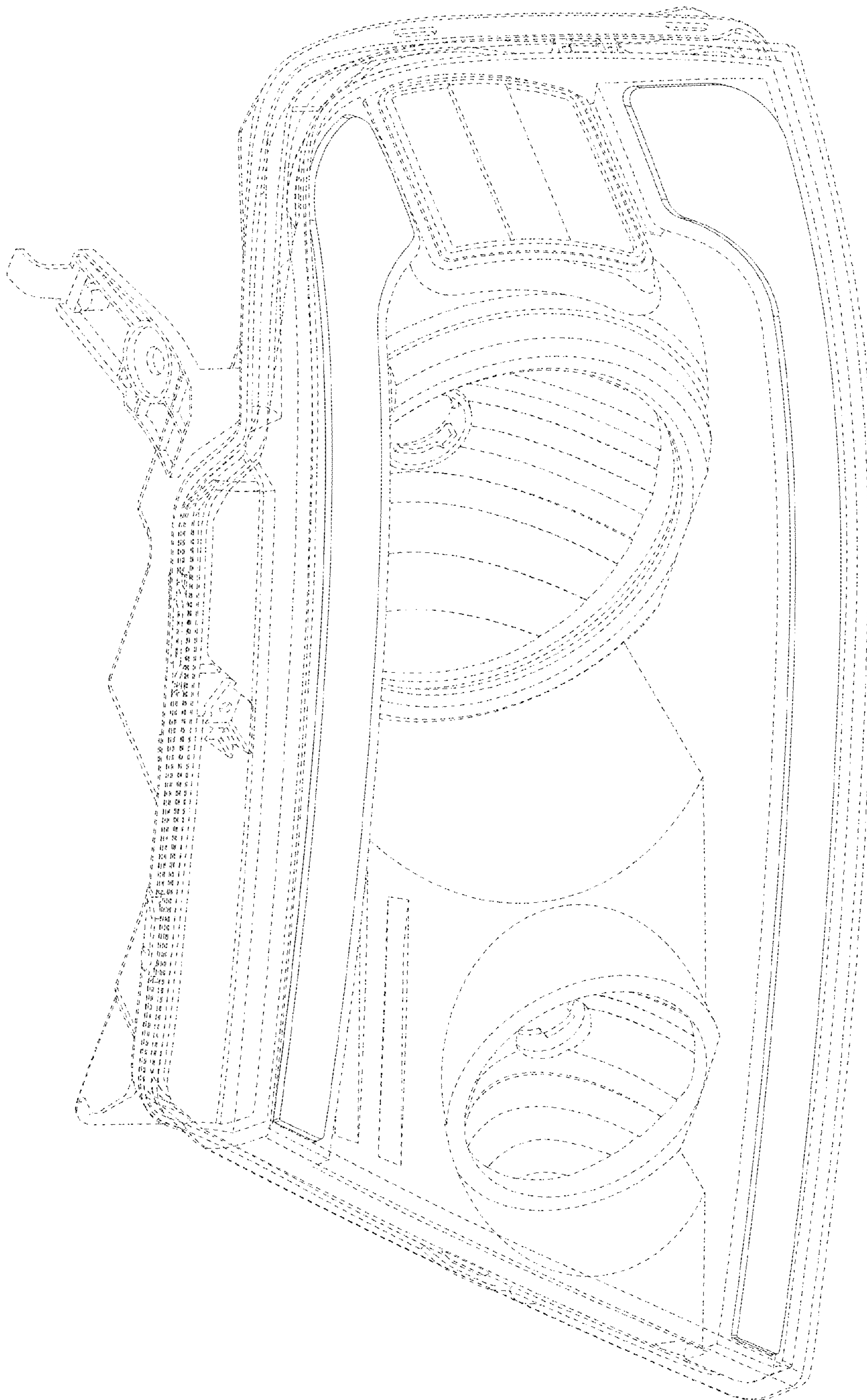


FIG. 9

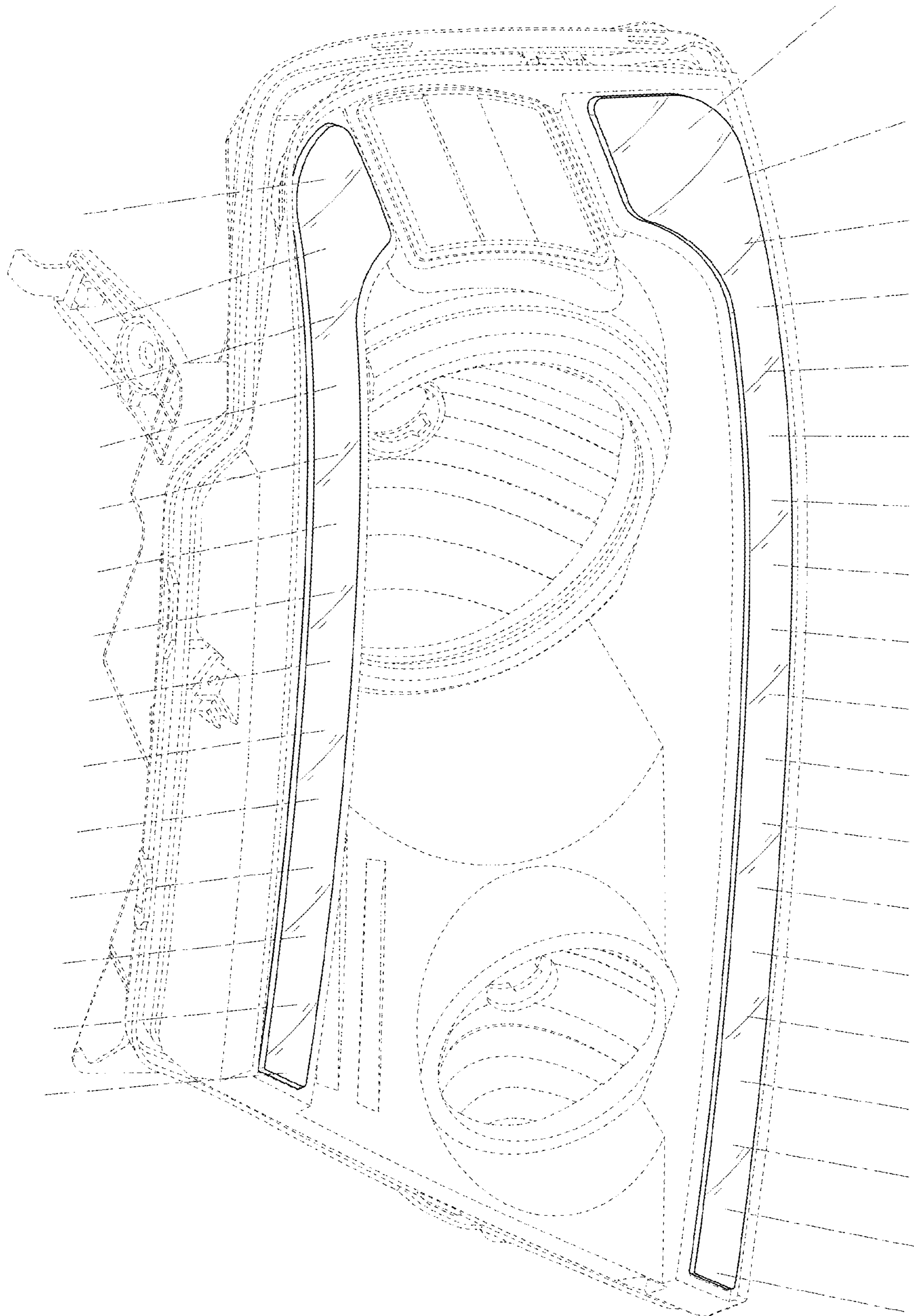


FIG. 10