



US00D981012S

(12) **United States Design Patent**  
**Wang**

(10) **Patent No.:** **US D981,012 S**  
(45) **Date of Patent:** **\*\* Mar. 14, 2023**

(54) **LAMP**

(71) Applicant: **Shaofeng Wang**, Foshan (CN)

(72) Inventor: **Shaofeng Wang**, Foshan (CN)

(\*\*) Term: **15 Years**

(21) Appl. No.: **29/750,060**

(22) Filed: **Sep. 10, 2020**

(30) **Foreign Application Priority Data**

Mar. 10, 2020 (CN) ..... 202030077339.8

(51) **LOC (14) Cl.** ..... **26-06**

(52) **U.S. Cl.**  
USPC ..... **D26/28**

(58) **Field of Classification Search**  
USPC ..... D26/28, 29, 30, 31, 32, 33, 34, 35, 36,  
D26/139  
CPC ..... F21W 2103/35; F21W 2103/40; F21W  
2102/17; F21W 2102/30; F21W 2103/00;  
F21W 2103/55; F21W 2104/00; F21W  
2107/17; F21W 2107/13; F21S 41/00;  
F21S 41/141; F21S 41/162; F21S 41/18;  
F21S 41/20; F21S 41/33; F21S 41/36;  
F21S 41/60; F21S 43/00; F21V 21/04  
See application file for complete search history.

(56) **References Cited**

**U.S. PATENT DOCUMENTS**

D463,052 S 9/2002 Shiu  
D535,411 S 1/2007 Lee  
D535,766 S 1/2007 Lee

D584,840 S \* 1/2009 Okuda ..... D26/28  
D605,790 S \* 12/2009 Hsing-Tsun ..... D26/28  
D608,485 S 1/2010 Liao  
D611,173 S 3/2010 Mckechnie  
D667,580 S \* 9/2012 Lee ..... D26/60  
D667,581 S \* 9/2012 Lee ..... D26/60  
D678,562 S \* 3/2013 Chan ..... D26/60  
D690,854 S 10/2013 Janssen  
D757,311 S \* 5/2016 Nagano ..... D26/60  
D779,690 S \* 2/2017 Nagano ..... D26/28  
D779,691 S \* 2/2017 Nagano ..... D26/28  
D800,361 S 10/2017 Robertson et al.  
D850,673 S \* 6/2019 Hamasaki ..... D26/28  
D863,619 S \* 10/2019 Hamasaki ..... D26/28  
D869,703 S \* 12/2019 Tang ..... D26/28  
D881,424 S 4/2020 Gu  
D919,867 S \* 5/2021 Hamasaki ..... D26/60  
D923,832 S \* 6/2021 Chen ..... D26/28

\* cited by examiner

*Primary Examiner* — Angela J Lee

(74) *Attorney, Agent, or Firm* — Loza & Loza, LLP;  
Michael F. Fedrick

(57) **CLAIM**

The ornamental design for a lamp, as shown and described.

**DESCRIPTION**

FIG. 1 is a perspective view of the lamp of the present invention;  
FIG. 2 is a top view thereof; and  
FIG. 3 is a bottom view thereof.  
FIG. 4 is a right side view thereof;  
FIG. 5 is a left side view thereof;  
FIG. 6 is a front view thereof; and,  
FIG. 7 is a rear view thereof.

**1 Claim, 7 Drawing Sheets**

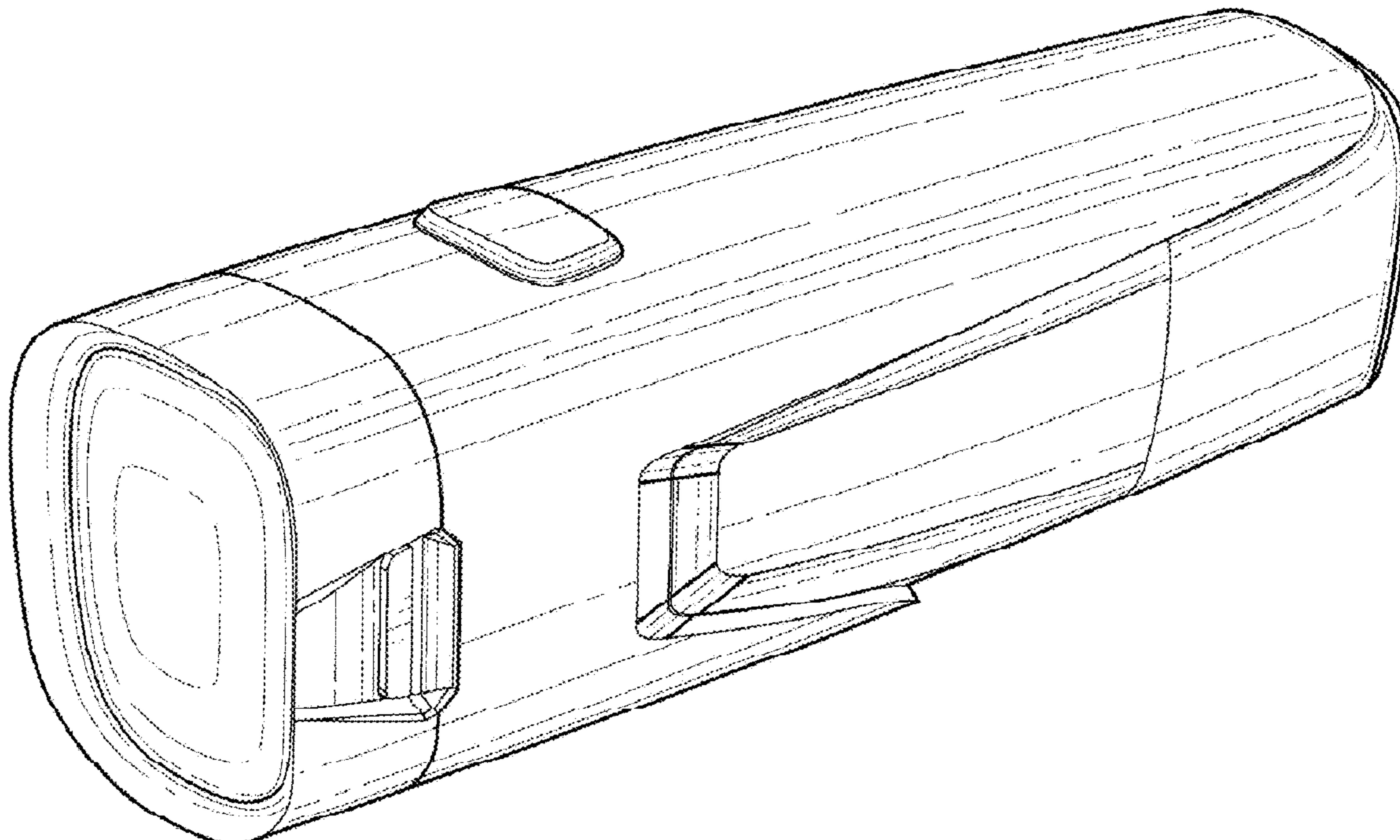


Figure 1

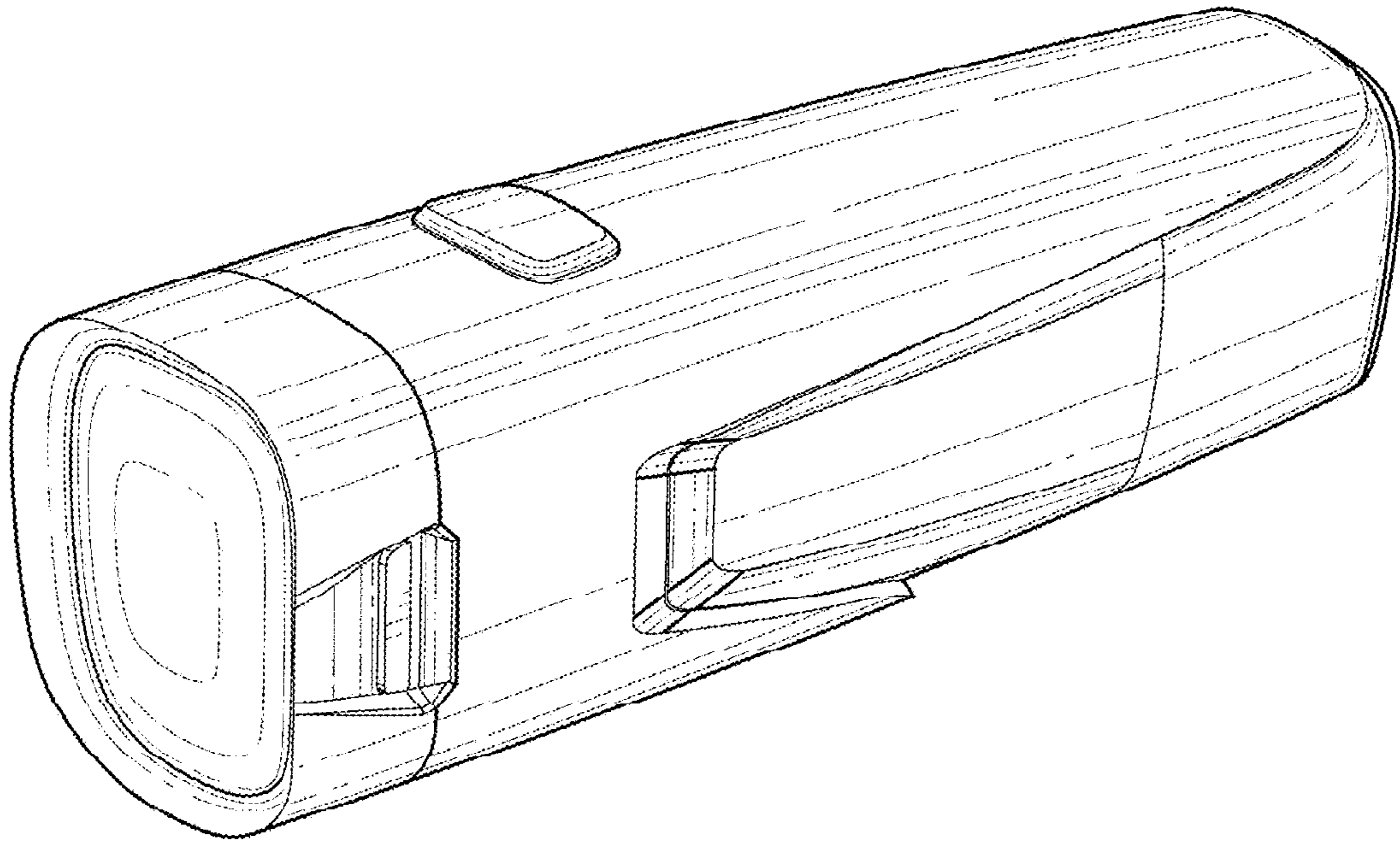


Figure 2

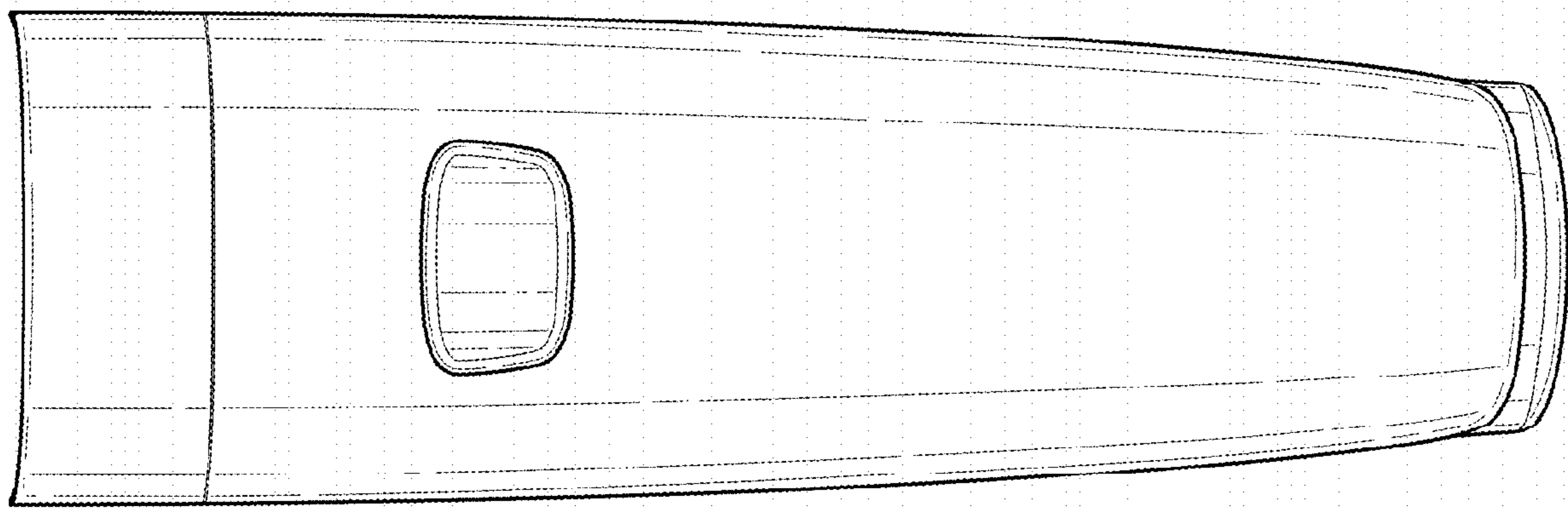


Figure 3

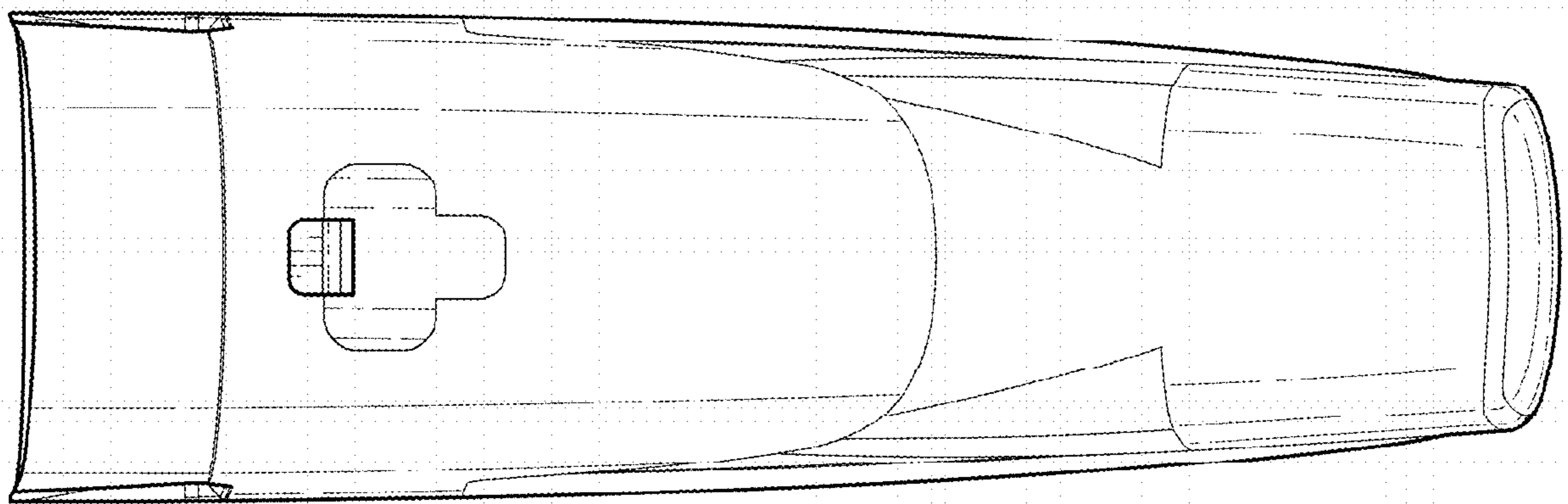


Figure 4

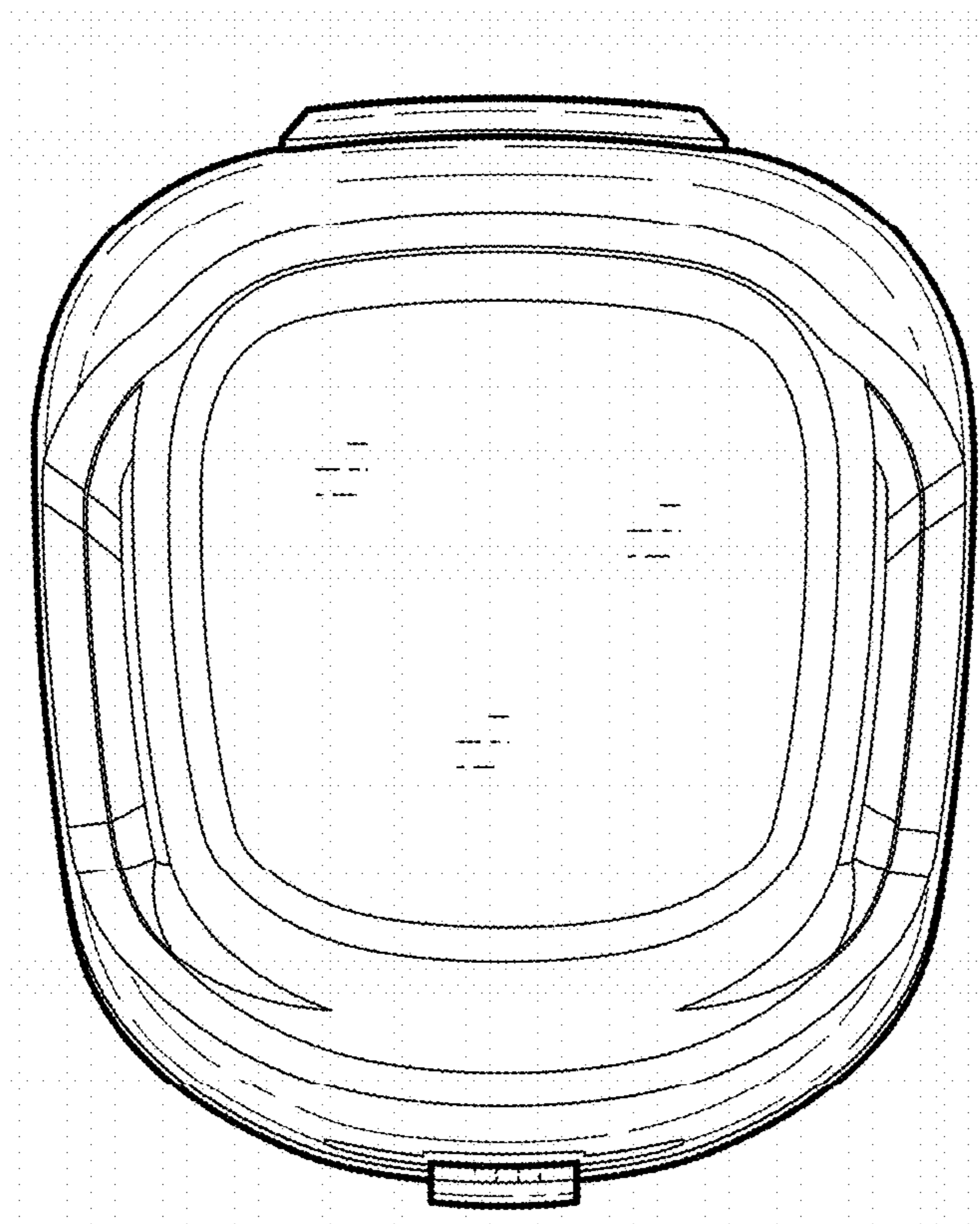


Figure 5

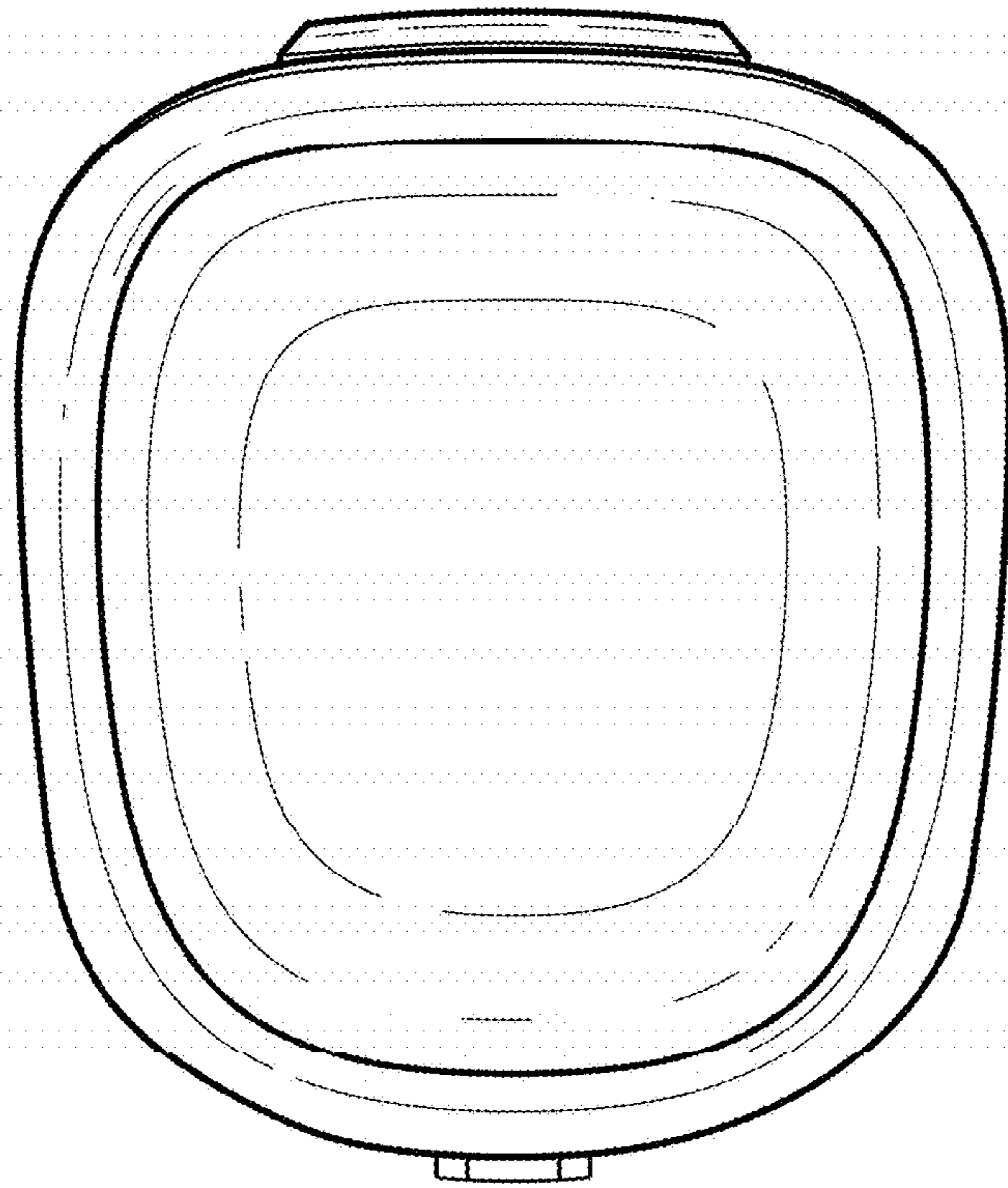


Figure 6

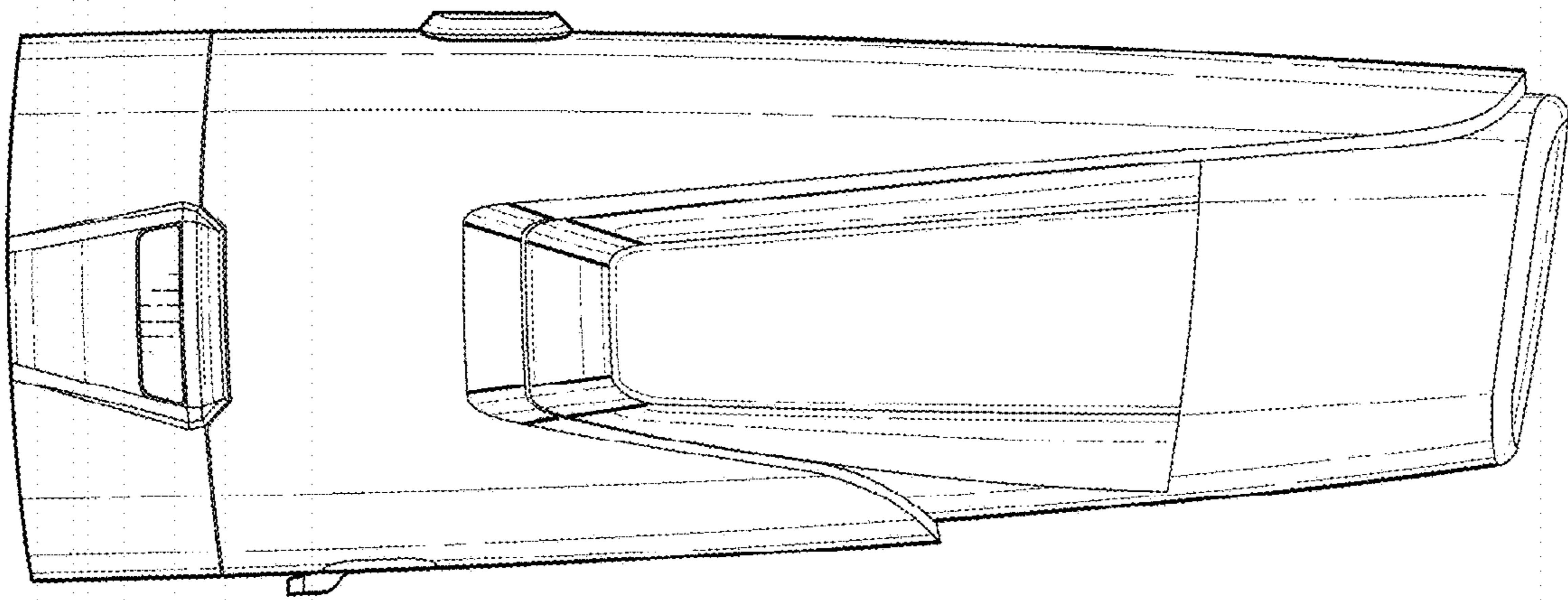


Figure 7

