



US00D981010S

(12) **United States Design Patent**
Liu

(10) **Patent No.:** **US D981,010 S**
(45) **Date of Patent:** **** Mar. 14, 2023**

- (54) **FLYING SAUCER LAMP**
- (71) Applicant: **Zhongshan Geya Lighting Company Limited, Zhongshan (CN)**
- (72) Inventor: **Baicheng Liu, Wenzhou (CN)**
- (73) Assignee: **Zhongshan Geya Lighting Company Limited, Zhongshan (CN)**
- (**) Term: **15 Years**
- (21) Appl. No.: **29/859,026**
- (22) Filed: **Nov. 7, 2022**
- (51) **LOC (14) Cl.** **26-03**
- (52) **U.S. Cl.**
USPC **D26/24**
- (58) **Field of Classification Search**
USPC D26/24, 36, 128, 130, 133-134
See application file for complete search history.

D925,076 S * 7/2021 Zhao D26/24
 D963,921 S 9/2022 de Azúa Pérez de Luco
 11,530,789 B2 * 12/2022 Xu F21V 33/008

FOREIGN PATENT DOCUMENTS

CN 212901354 U * 4/2021
 CN 213394684 U * 6/2021
 CN 213513373 U * 6/2021
 CN 214890613 U * 11/2021
 CN 216896886 U * 7/2022
 CN 217899633 U * 11/2022

* cited by examiner

Primary Examiner — Michael A. Pratt

(57) **CLAIM**

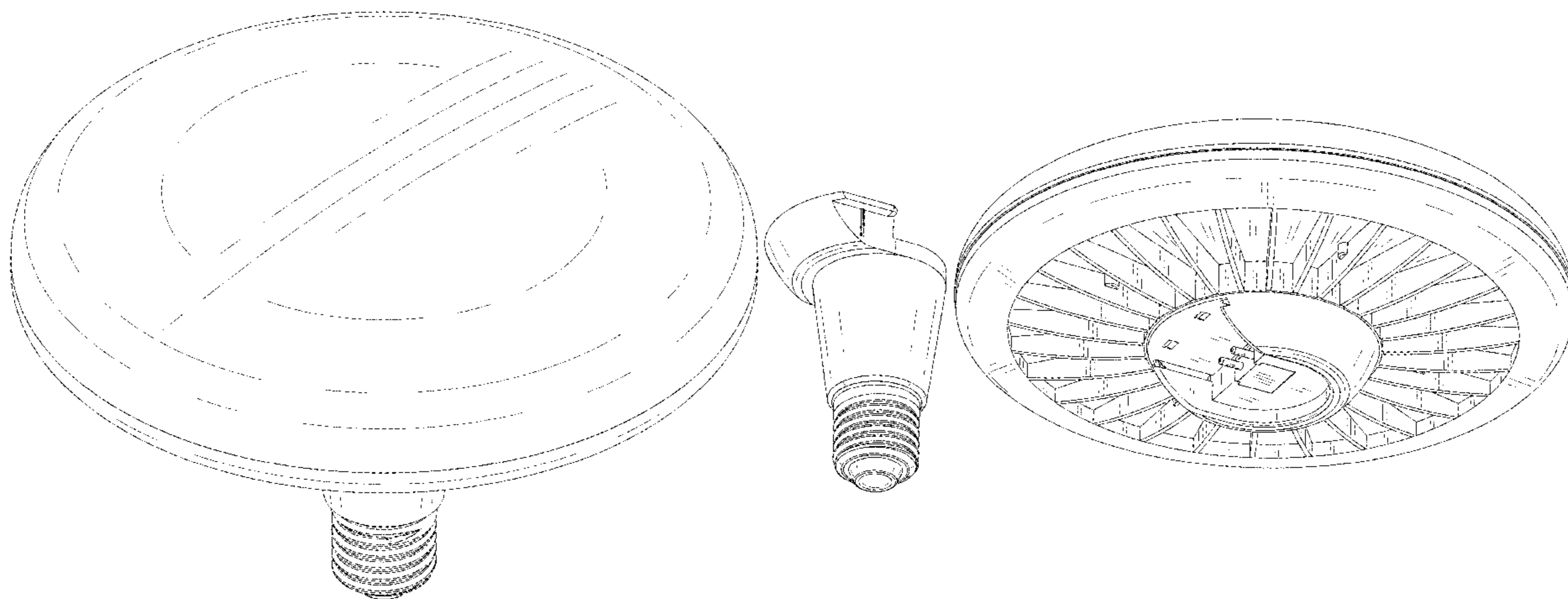
The ornamental design for a flying saucer lamp, as shown and described.

DESCRIPTION

FIG. 1 is a front perspective view of a flying saucer lamp, showing my new design;
 FIG. 2 is a front view thereof;
 FIG. 3 is a rear view thereof;
 FIG. 4 is a left side view thereof;
 FIG. 5 is a right side view thereof;
 FIG. 6 is a top view thereof;
 FIG. 7 is a bottom view thereof; and,
 FIG. 8 is its split state diagram.

1 Claim, 8 Drawing Sheets

- (56) **References Cited**
U.S. PATENT DOCUMENTS
6,783,421 B1 * 8/2004 Lopez A63H 23/10
446/485
D857,256 S * 8/2019 Li D26/88
D886,335 S * 6/2020 Zhu D26/24
10,718,507 B2 * 7/2020 Potucek F21S 8/00



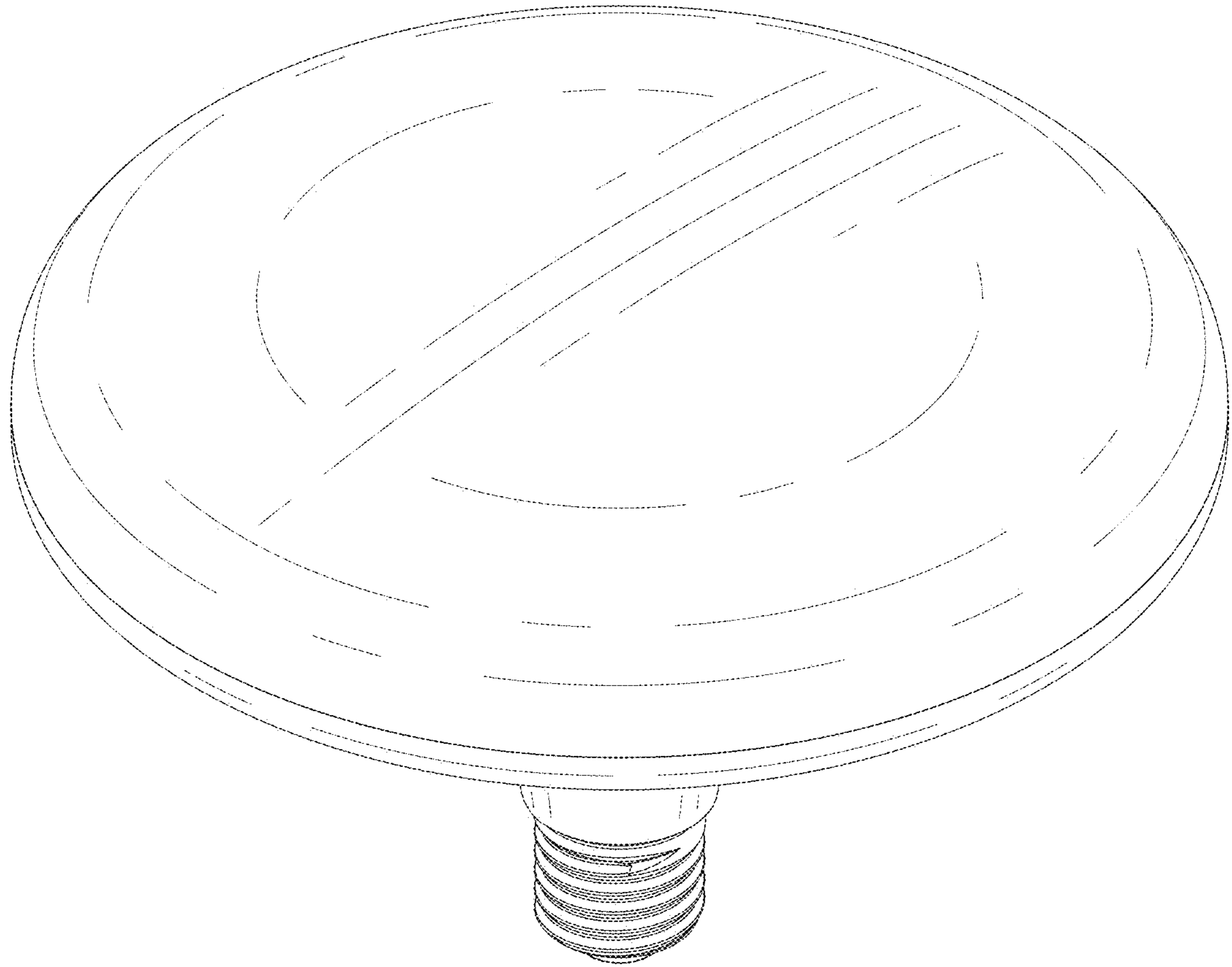


FIG.1

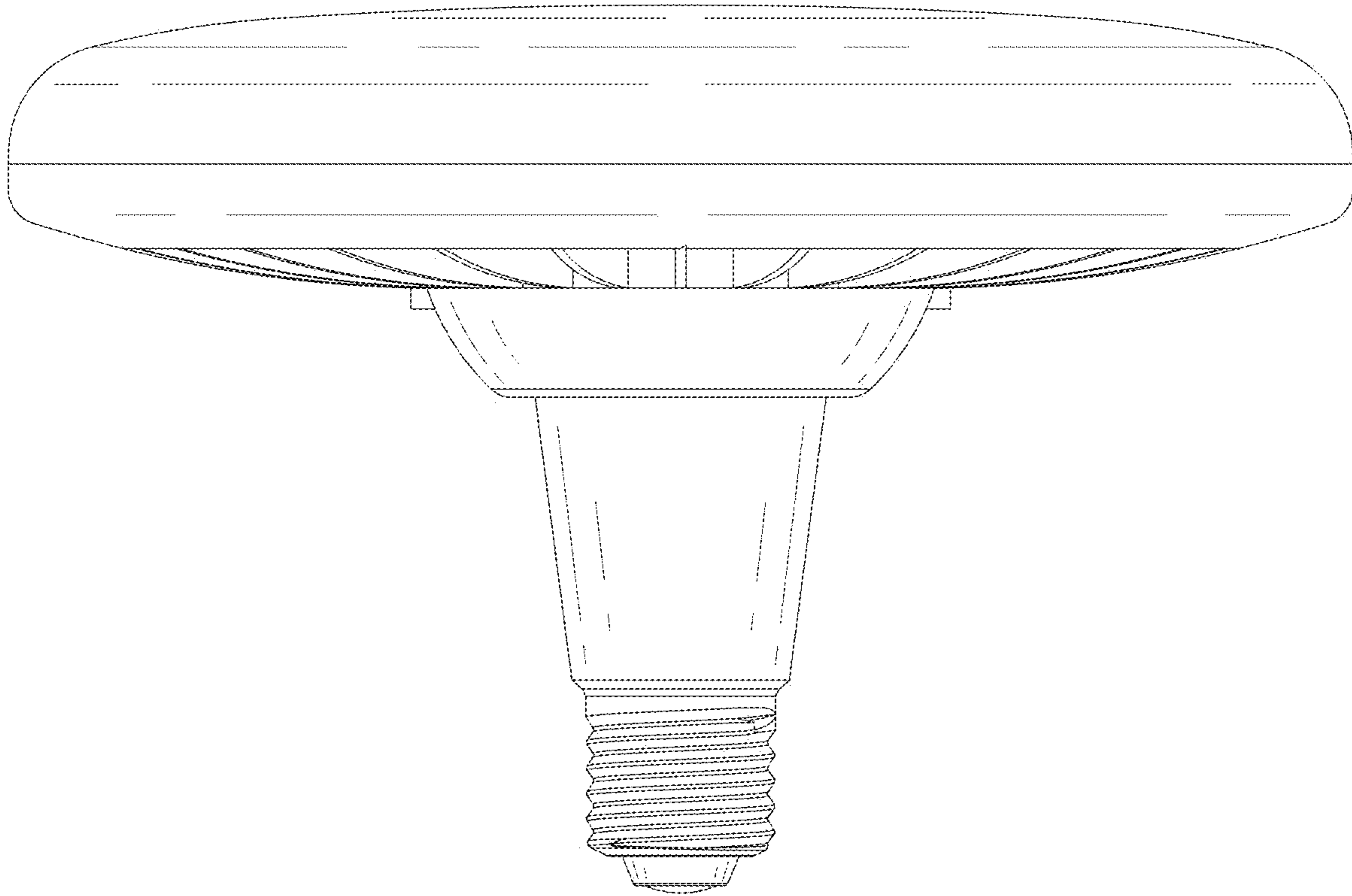


FIG.2

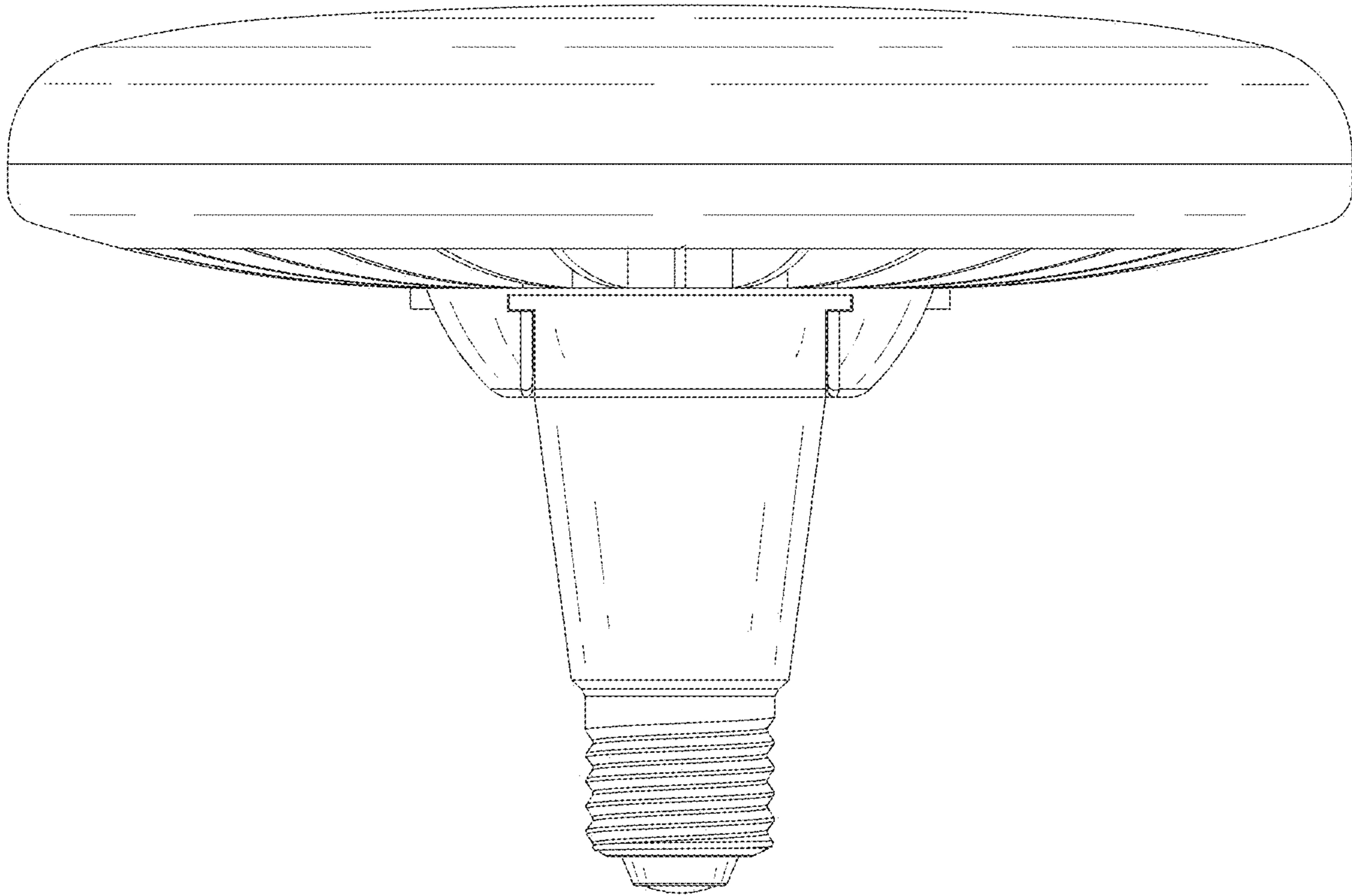


FIG.3

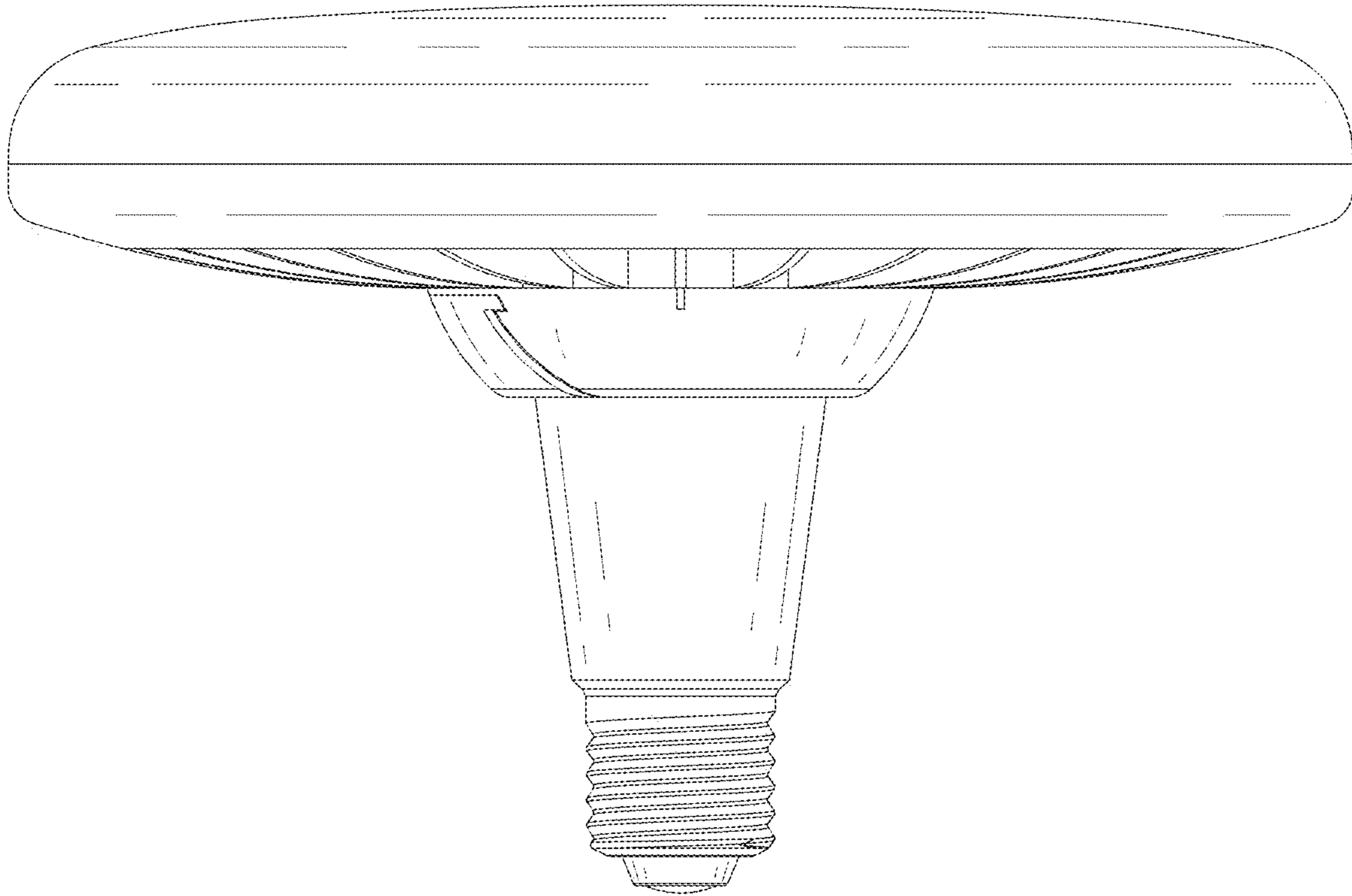


FIG.4

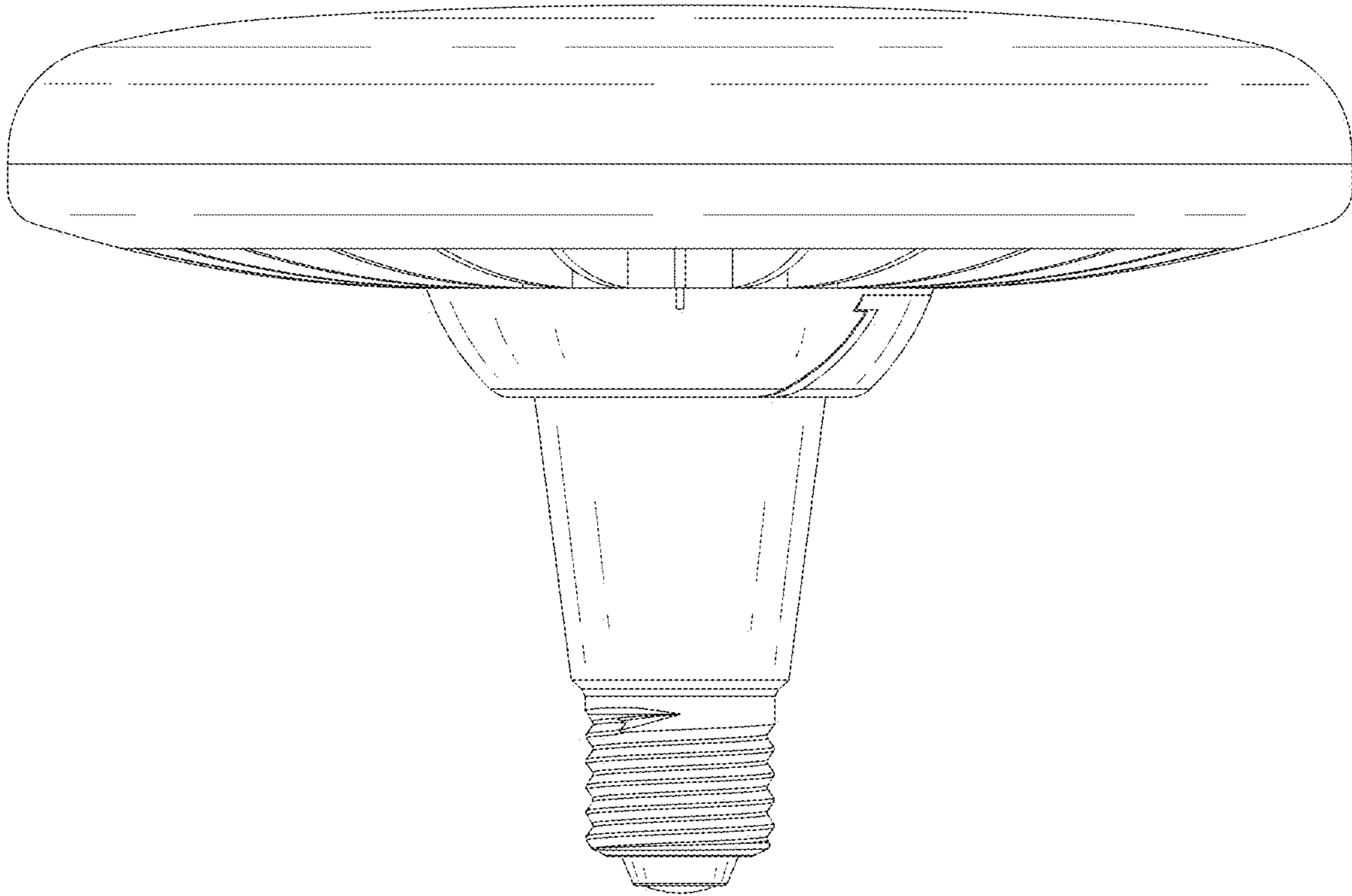


FIG.5

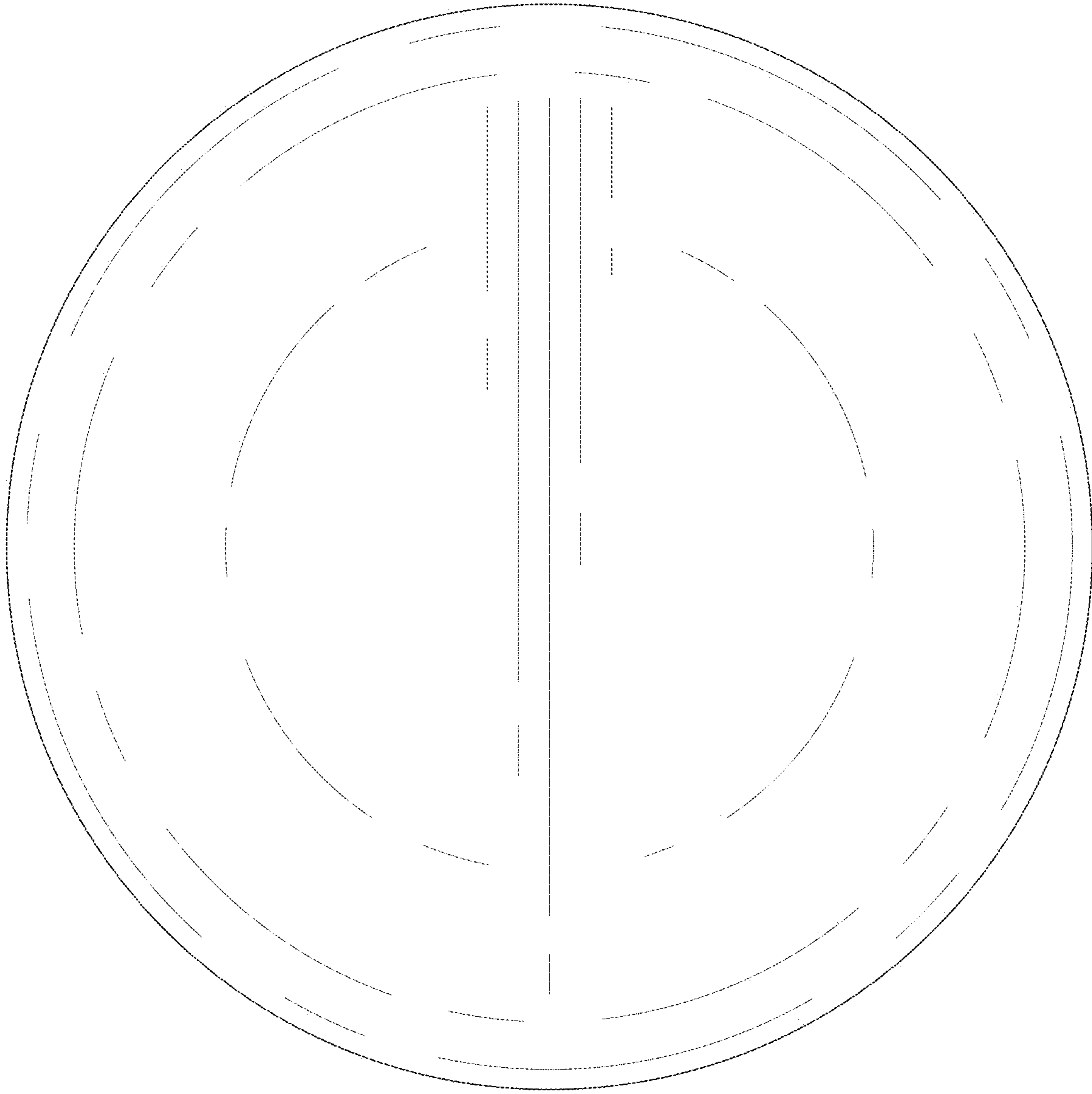


FIG.6

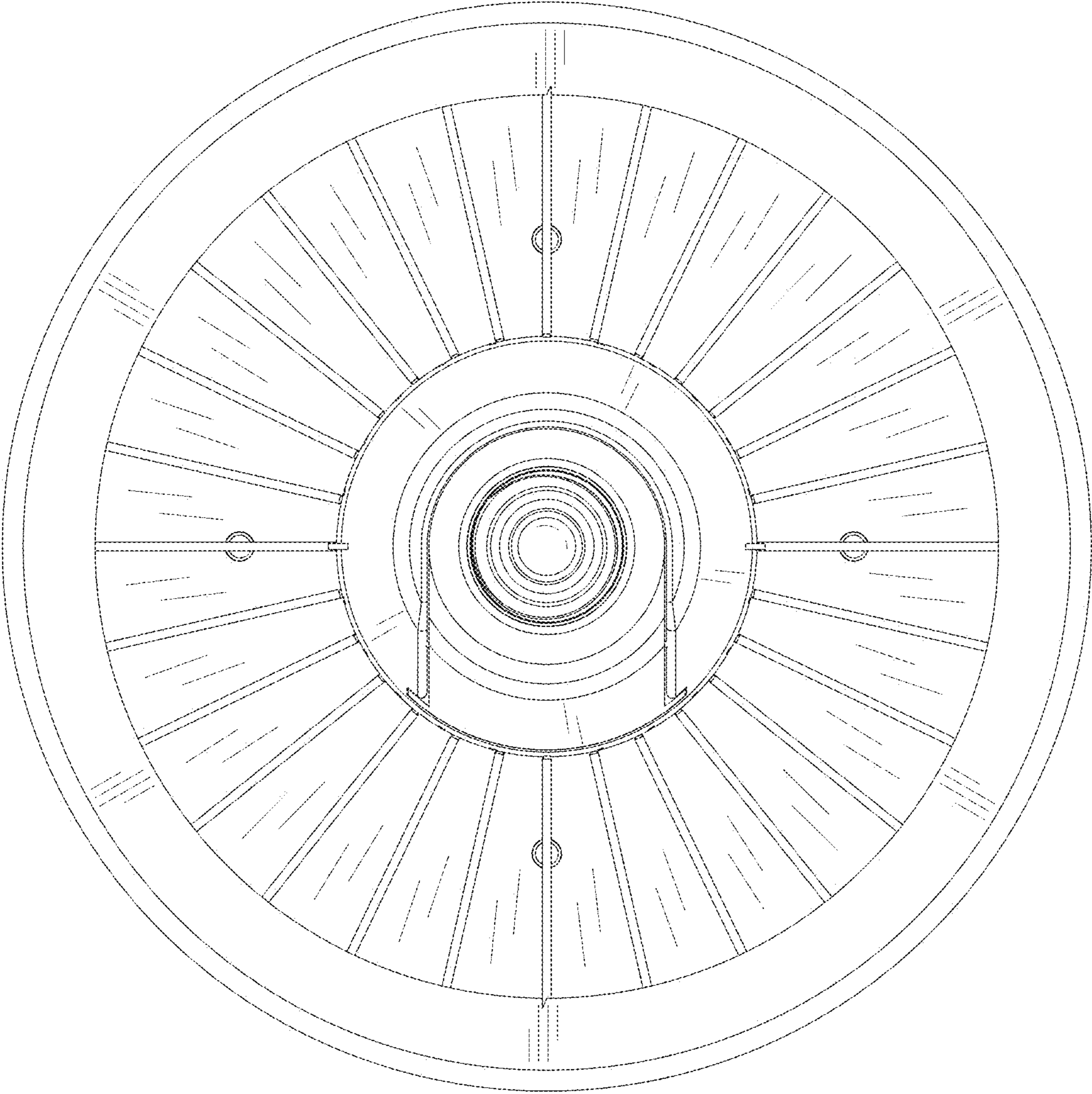


FIG.7

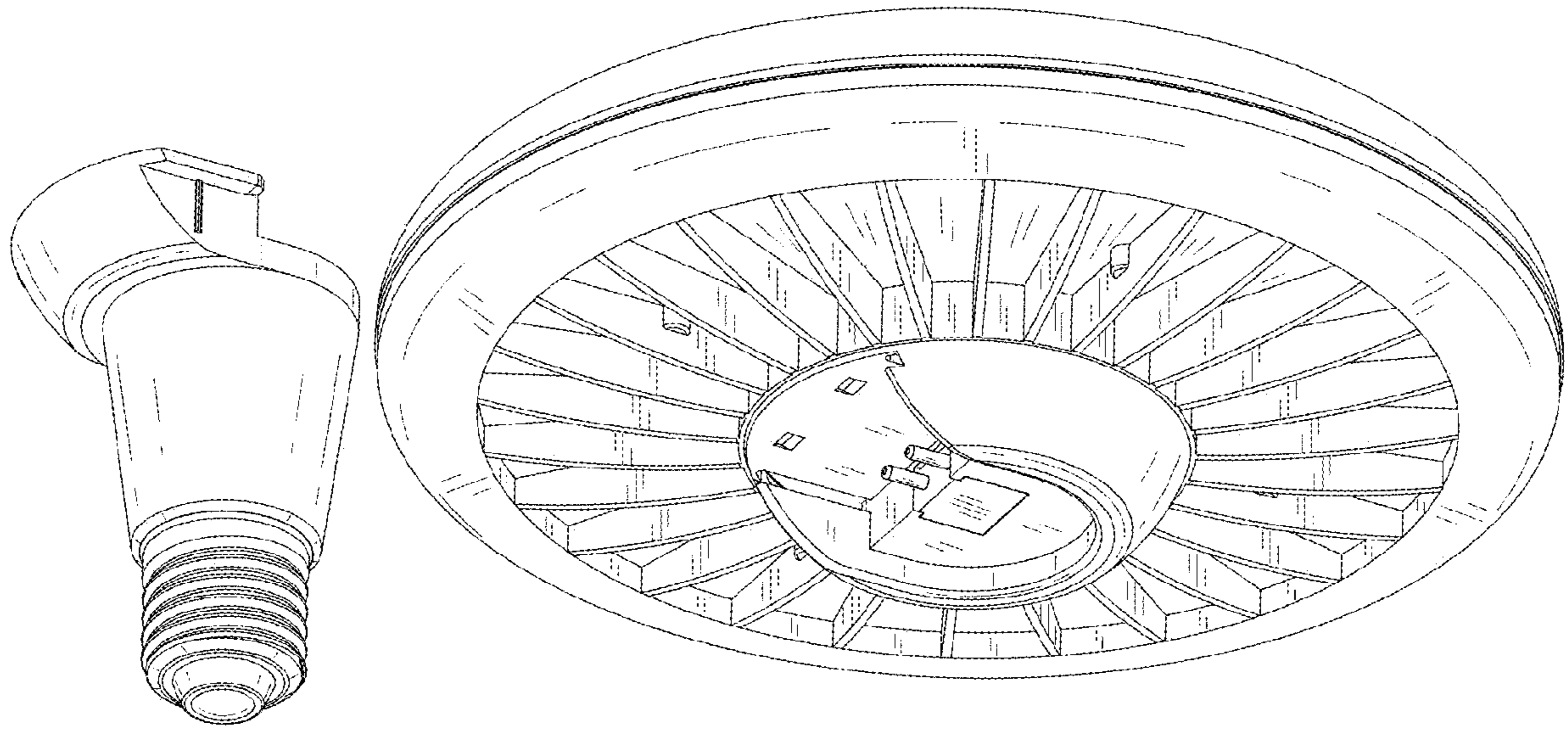


FIG.8