



US00D981009S

(12) **United States Design Patent**
Song

(10) **Patent No.:** **US D981,009 S**
(45) **Date of Patent:** **** Mar. 14, 2023**

(54) **LIGHT SOURCE**

(71) Applicant: **Shenzhen Zhenming Photoelectric Co., LTD., Shenzhen (CN)**

(72) Inventor: **Yiwen Song, Zibo (CN)**

(**) Term: **15 Years**

(21) Appl. No.: **29/808,811**

(22) Filed: **Sep. 23, 2021**

(51) **LOC (14) Cl.** **26-04**

(52) **U.S. Cl.**
USPC **D26/2**

(58) **Field of Classification Search**
USPC D26/1-5, 24-26
CPC F21V 5/00; F21V 6/00; F21V 7/05; F21V 7/06; F21V 9/00; F21V 21/044; F21V 21/047; F21V 21/049; F21Y 2115/10; F21S 8/02; F21S 8/026

See application file for complete search history.

(56) **References Cited**

U.S. PATENT DOCUMENTS

D475,801 S	6/2003	Stewart
D509,016 S	8/2005	Benghozi
D509,617 S	9/2005	Benghozi
D561,925 S	2/2008	Levine
D564,687 S	3/2008	Bucher
D580,575 S	11/2008	Shiu

D595,884 S	7/2009	Liao	
D603,997 S	11/2009	Shiu	
D671,234 S	* 11/2012	Yamamoto	D26/2
D684,288 S	6/2013	Gielen	
D700,387 S	2/2014	Snell	
D850,663 S	* 6/2019	Garber	D26/2
D858,807 S	* 9/2019	Hollinger	D26/2
D907,815 S	* 1/2021	Du	D26/2
D952,195 S	* 5/2022	Han	D26/2

FOREIGN PATENT DOCUMENTS

GB 9008207773-0001 * 10/2020

* cited by examiner

Primary Examiner — Keli L Hill

(74) *Attorney, Agent, or Firm* — Rumit Ranjit Kanakia

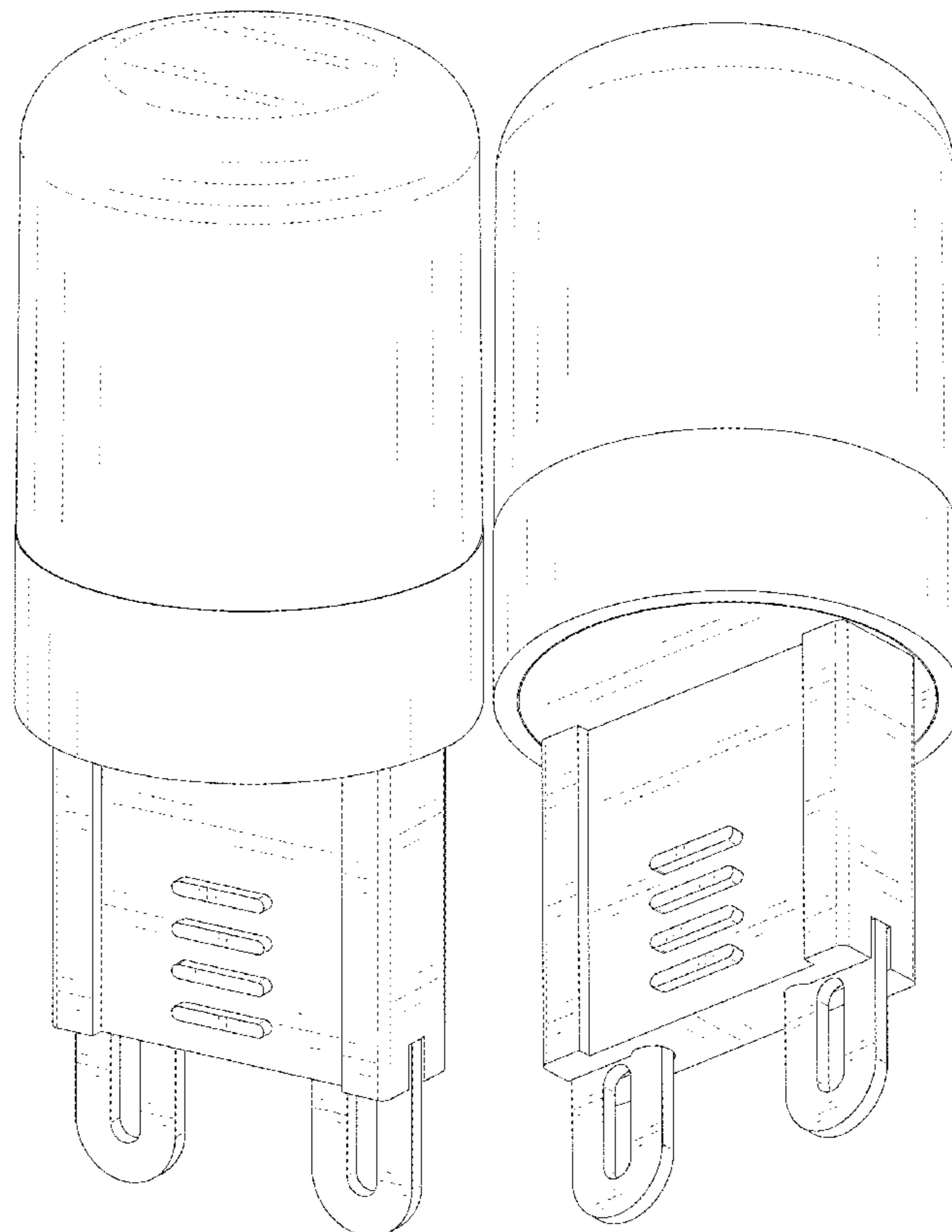
(57) **CLAIM**

The ornamental design for a light source, as shown and described.

DESCRIPTION

FIG. 1 is a front elevational view of a light source showing my new design;
FIG. 2 is a left side view thereof;
FIG. 3 is a top plan view thereof;
FIG. 4 is a bottom plan view thereof;
FIG. 5 is a perspective view of a light source showing my new design; and,
FIG. 6 is another perspective view thereof.

1 Claim, 6 Drawing Sheets



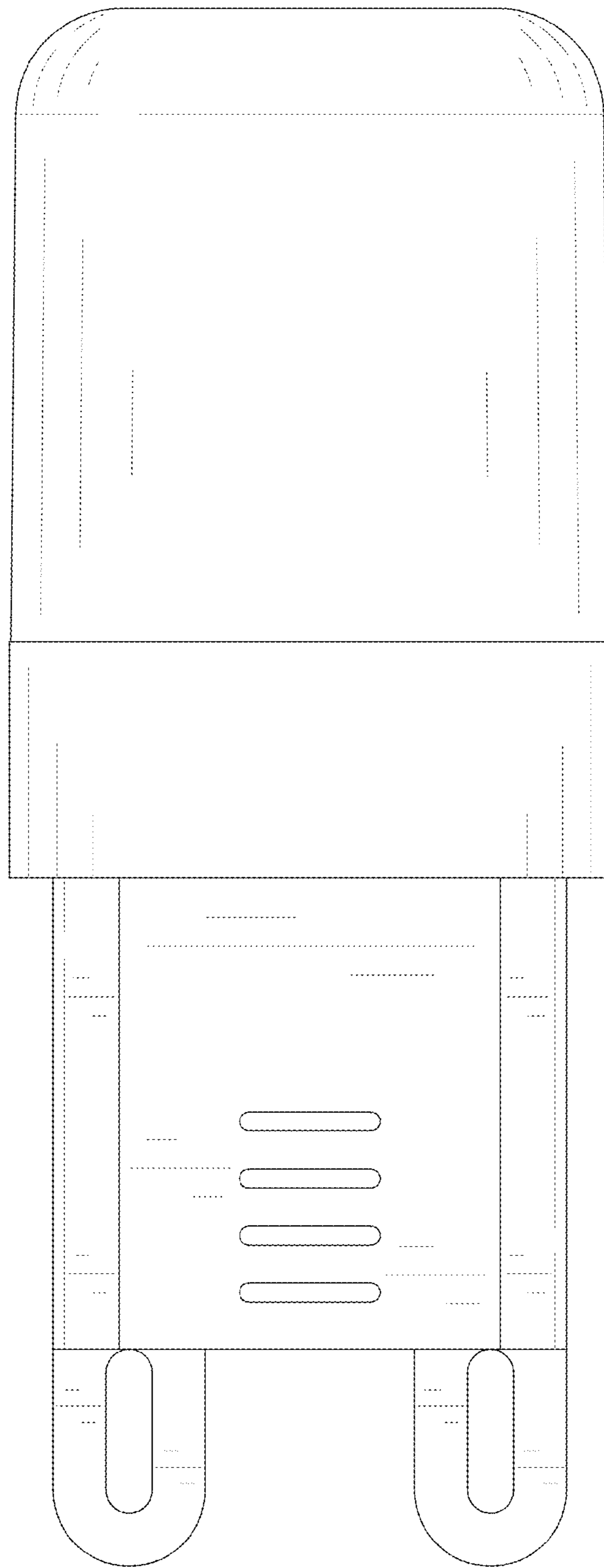


FIG. 1

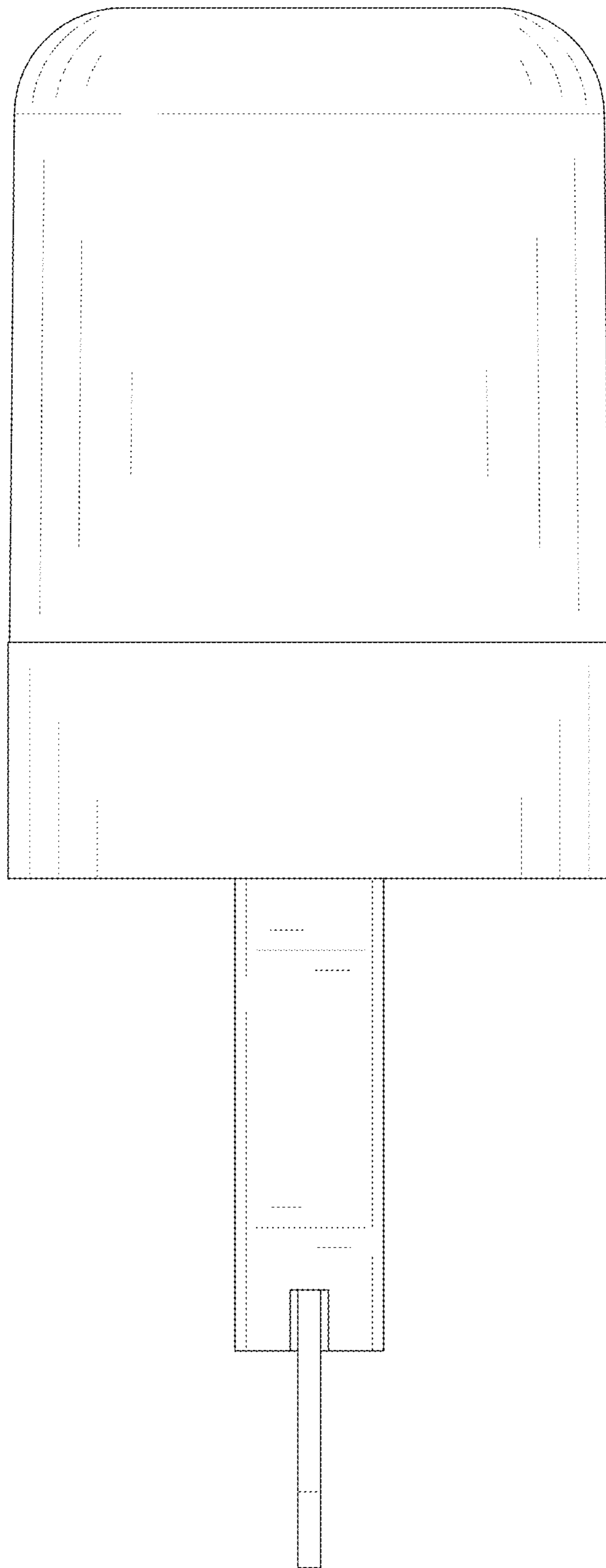


FIG. 2

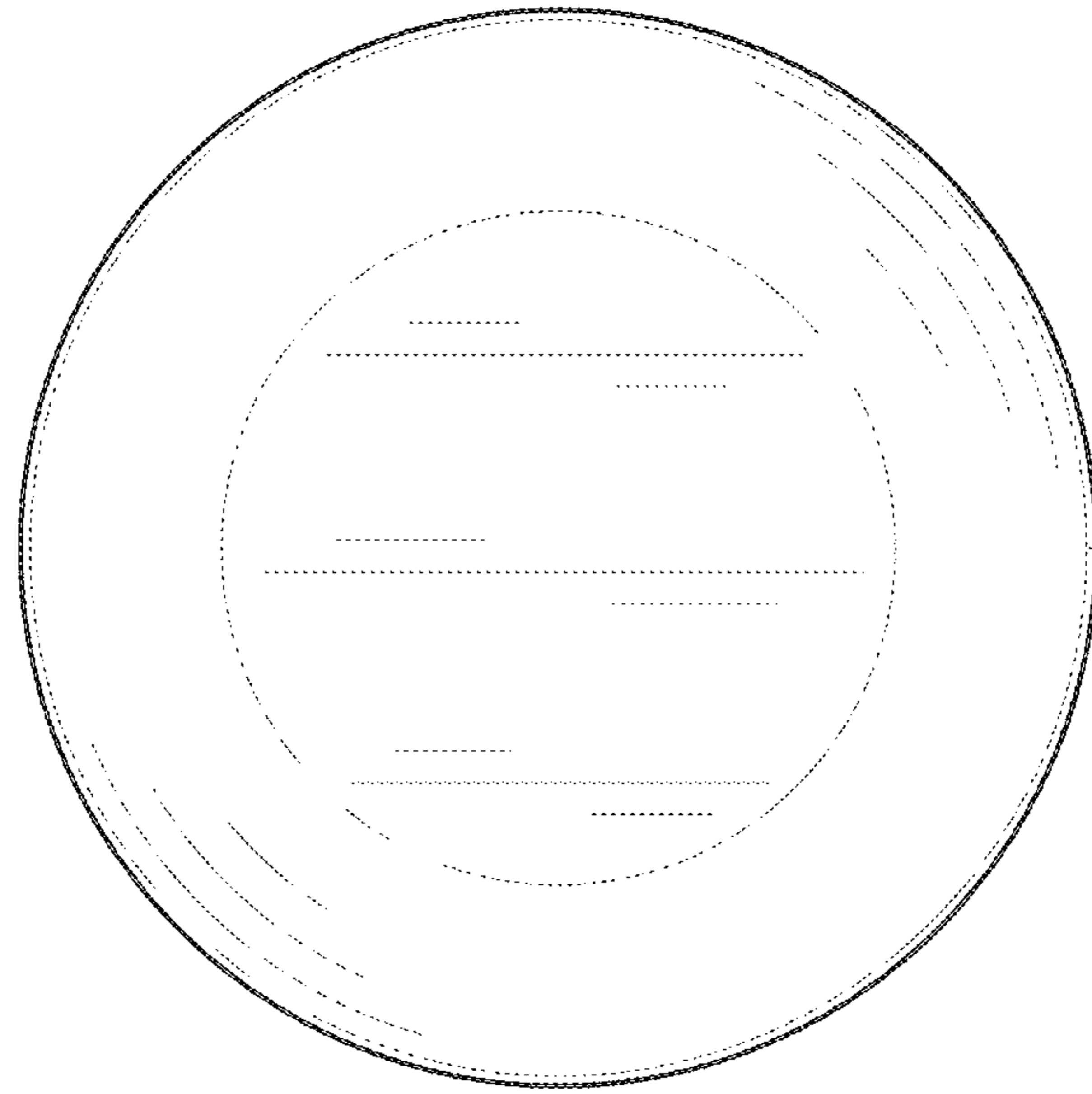


FIG. 3

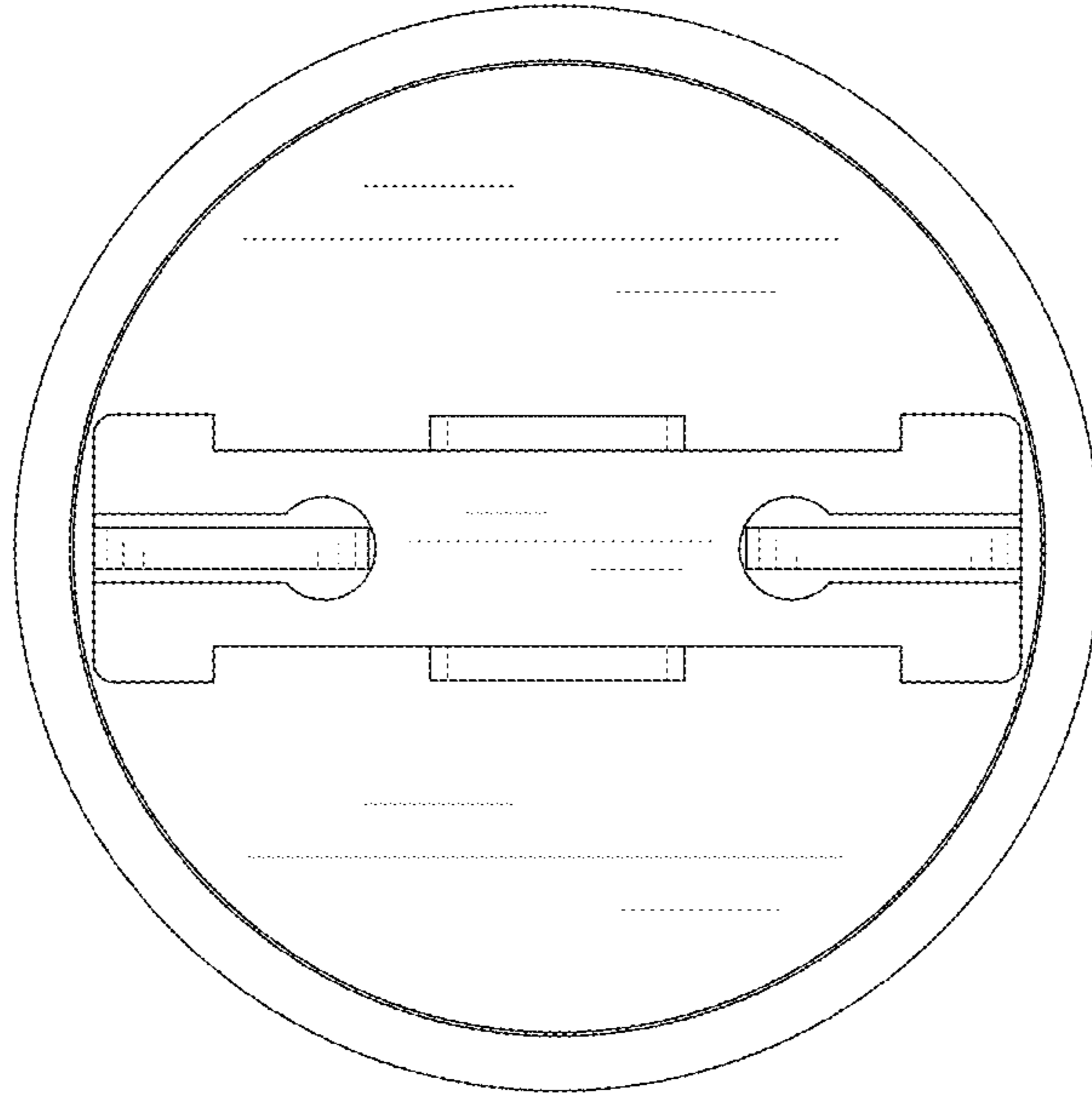


FIG. 4

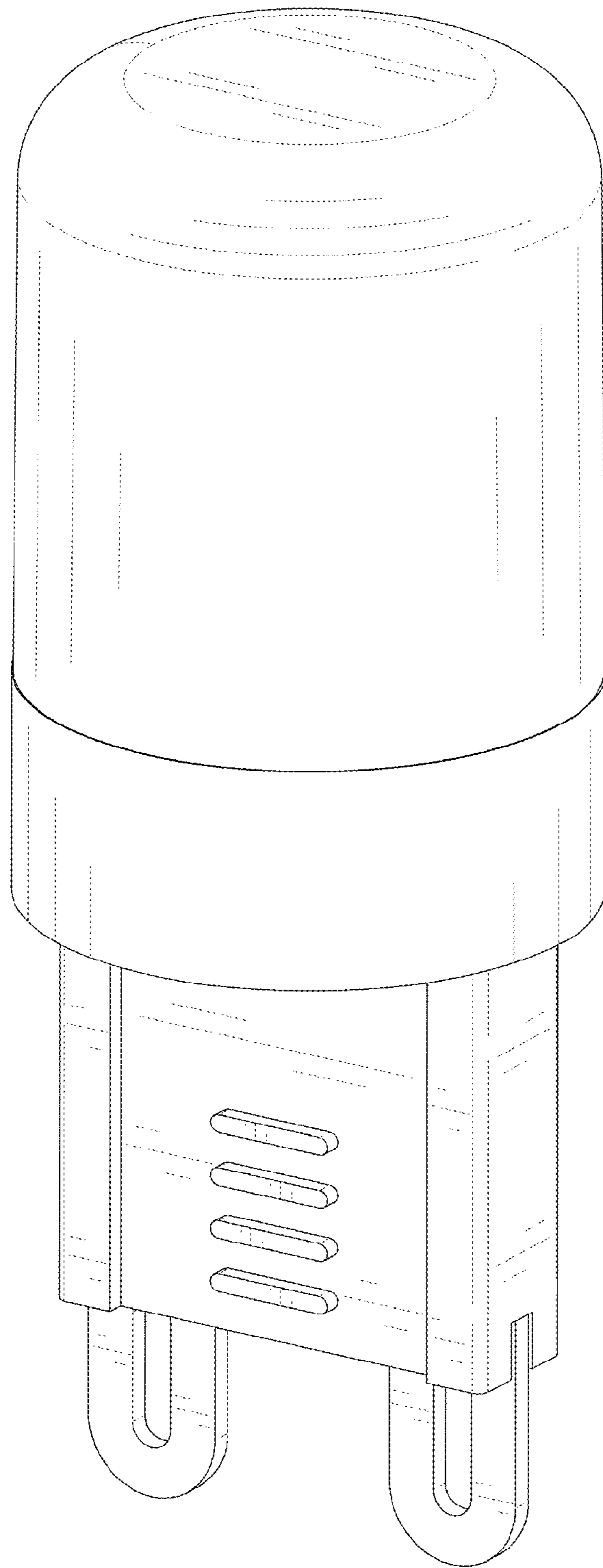


FIG. 5

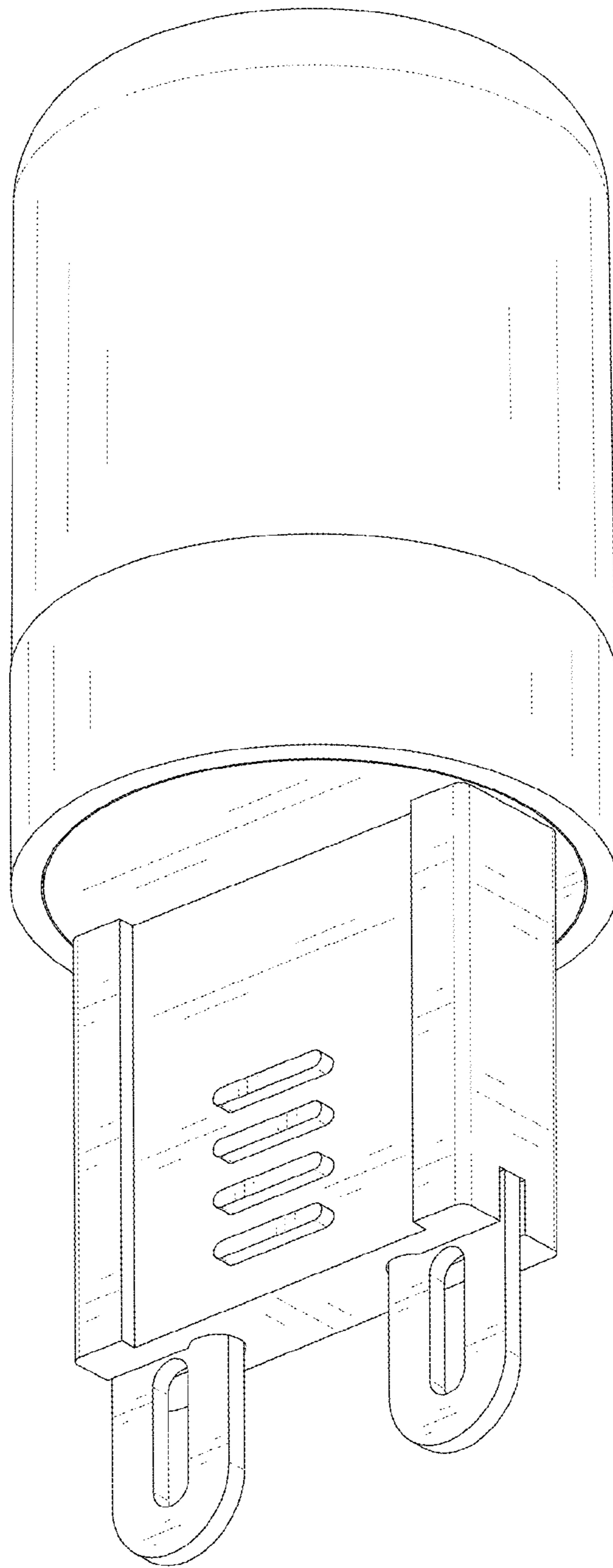


FIG. 6