



US00D981007S

(12) **United States Design Patent**
Behere et al.

(10) **Patent No.:** **US D981,007 S**
(45) **Date of Patent:** **** Mar. 14, 2023**

- (54) **CRITICAL CARE SUITE**
- (71) Applicant: **KONINKLIJKE PHILIPS N.V.**,
Eindhoven (NL)
- (72) Inventors: **Sachin Suresh Behere**, Singapore (SG);
Nigel Geh Keong Teck, Singapore
(SG)
- (73) Assignee: **KONINKLIJKE PHILIPS N.V.**,
Eindhoven (NL)
- (**) Term: **15 Years**
- (21) Appl. No.: **29/712,451**
- (22) Filed: **Nov. 8, 2019**
- (30) **Foreign Application Priority Data**
May 8, 2019 (EM) 006431714
- (51) **LOC (14) Cl.** **25-03**
- (52) **U.S. Cl.**
USPC **D25/31; D6/332; D6/664; D25/58**
- (58) **Field of Classification Search**
USPC D25/1, 3-35, 58; D6/640-644, 332, 677,
D6/718.14, 672, 336, 673, 664; D24/185;
D16/215; D20/10
CPC E04H 1/00-12; E04H 1/1205-1277; E04H
1/14; E04H 2001/1294
See application file for complete search history.

- (56) **References Cited**
U.S. PATENT DOCUMENTS
D202,771 S * 11/1965 Wokas D25/31
D214,888 S * 8/1969 Stewart D25/16
D221,629 S * 8/1971 King D25/16
D223,440 S * 4/1972 Noyes D25/31
D239,570 S * 4/1976 Hall D24/185
D241,549 S * 9/1976 Rota D24/185
D242,832 S * 12/1976 Swensson D6/644

- D253,246 S * 10/1979 O'Toole D24/185
 - 4,338,485 A * 7/1982 Fullenkamp A47B 79/00
220/4.31
 - D302,502 S * 8/1989 Durham, Jr. D6/718.14
 - D303,743 S * 10/1989 Durham, Jr. D6/718.14
 - D359,988 S * 7/1995 Lechleiter D20/10
 - D360,230 S * 7/1995 Lechleiter D6/332
 - D365,467 S * 12/1995 Lechleiter D6/332
 - D369,030 S * 4/1996 Lechleiter D14/126
 - D385,044 S * 10/1997 Johnson D25/58
 - D496,734 S * 9/2004 Konishi D25/1
- (Continued)

FOREIGN PATENT DOCUMENTS

- JP D2006-11549 * 11/2006
- KR 300769720.0001 * 1/2015

OTHER PUBLICATIONS

Tracy Block, 3 New Idea for Entertaining in Orlando, Feb. 8, 2018, Bizbash, <https://www.bizbash.com/venues-destinations/united-states/orlando-central-florida/media-gallery/13482618/3-new-ideas-for-entertaining-in-orlando> (Year: 2018).*

(Continued)

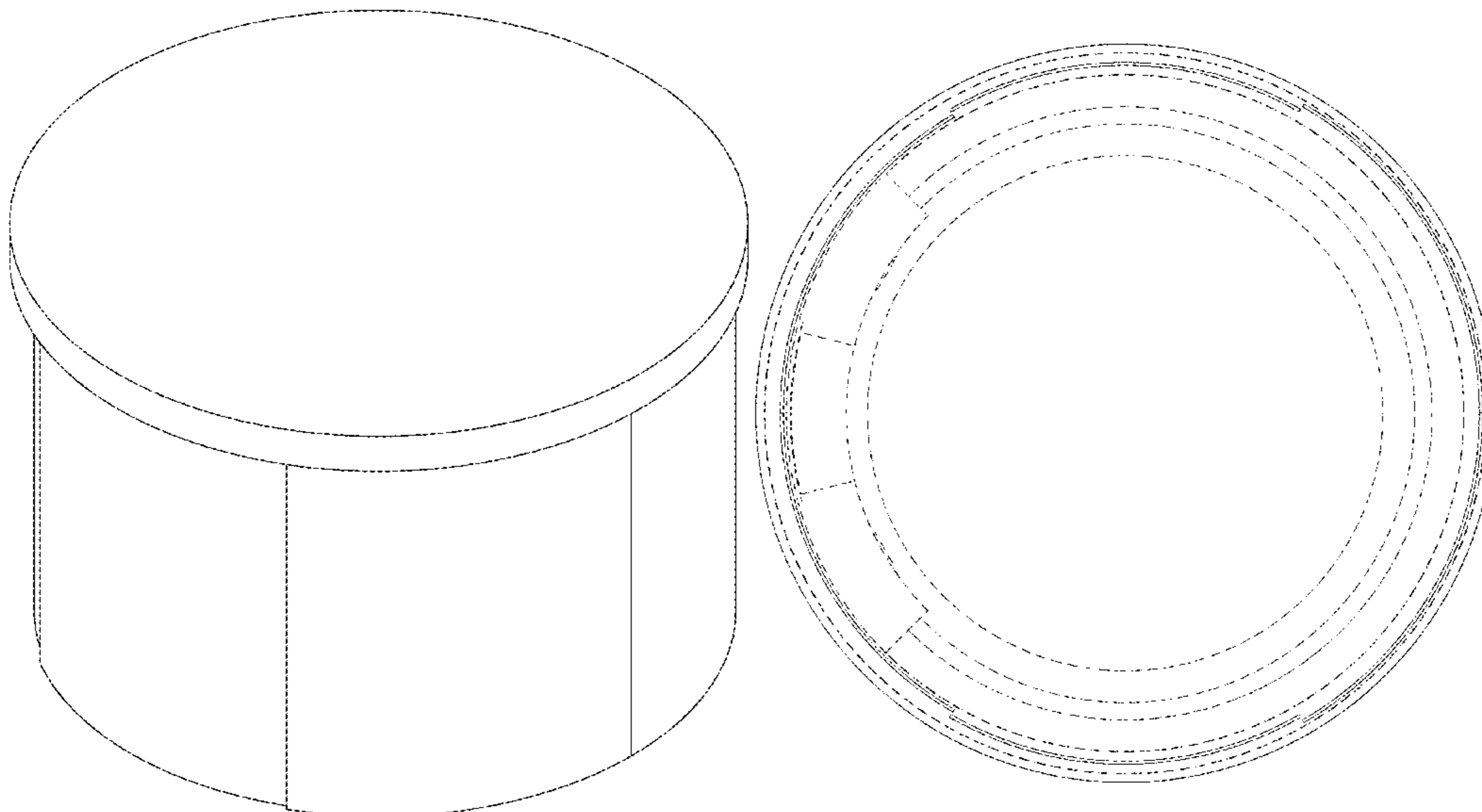
Primary Examiner — Brett Miller

(57) **CLAIM**
The ornamental design for a critical care suite, as shown.

DESCRIPTION

FIG. 1 is a perspective view showing my design;
FIG. 2 is a front elevational view thereof;
FIG. 3 is a rear elevational view thereof;
FIG. 4 is a right side elevational view thereof;
FIG. 5 is a left side elevational view thereof;
FIG. 6 is a top plan view thereof; and,
FIG. 7 is a bottom plan view thereof.
The broken lines depict portions of the critical care suite that form no part of the claimed design.

1 Claim, 5 Drawing Sheets



(56)

References Cited

U.S. PATENT DOCUMENTS

D530,104 S * 10/2006 Saffell D6/332
 D539,056 S * 3/2007 Helmetag D6/672
 D647,938 S * 11/2011 Geddes D16/215
 D659,427 S * 5/2012 Nicolas D6/644
 D659,428 S * 5/2012 Nicolas D6/644
 D748,281 S * 1/2016 Whitman D25/16
 D754,875 S * 4/2016 Baziuk D25/31
 D774,318 S * 12/2016 Tsuchiyama D6/332
 D781,948 S * 3/2017 Sebring D16/215
 D785,374 S * 5/2017 Holbrook D6/643
 D787,704 S * 5/2017 Walter D25/16
 D791,513 S * 7/2017 Holbrook D6/643
 D791,967 S * 7/2017 Goldberg D25/16
 D812,671 S * 3/2018 Sebring D16/215
 D822,746 S * 7/2018 Sebring D16/215
 D825,001 S * 8/2018 Henkel D6/332
 D850,129 S * 6/2019 Webb D6/643
 D952,374 S * 5/2022 Spiljaric D6/643
 2007/0186490 A1 * 8/2007 Salemi E04H 1/14
 52/27.5

OTHER PUBLICATIONS

Brent Ehrlich, The Best Indoor LED Luminaires of 2016, 2016, BuildingGreen, <https://www.buildinggreen.com/product-review/best-indoor-led-luminaires-2016> (Year: 2016).*

Karissa Rosenfield. "SOM breaks ground at The Christ Hospital in Cincinnati" Jul. 3, 2012. ArchDaily. Accessed Apr. 23, 2022. <<https://www.archdaily.com/250743/som-breaks-ground-at-the-christ-hospital-in-cincinnati>> (Year: 2012).*

DBS Bank Office Photos, Aug. 2, 2017, Glassdoor, https://www.glassdoor.co.in/Photos/DBS-Bank-Office-Photos-E611812_P2.htm (Year: 2017).*

Pro Expo Exhibits, As the Booth Turns, Jan. 3, 2014, <https://tradeshowbestpractices.com/2014/01/03/as-the-booth-turns/> (Year: 2014).*

Gildor Automatic Circular Sliding Door, Jan. 15, 2014, Youtube, <https://www.youtube.com/watch?v=zOajXwvg66M> (Year: 2014).*

* cited by examiner

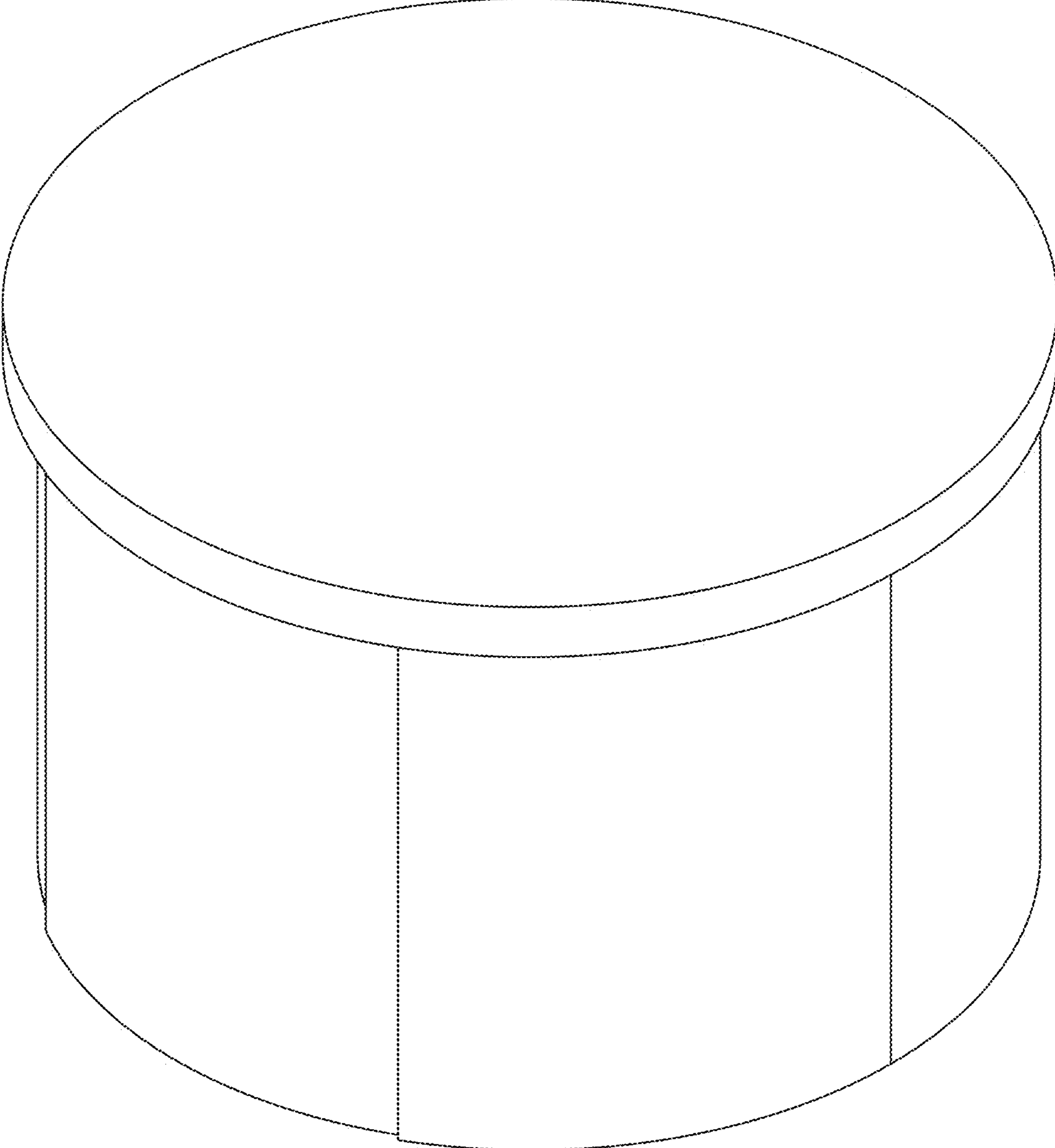


FIG. 1

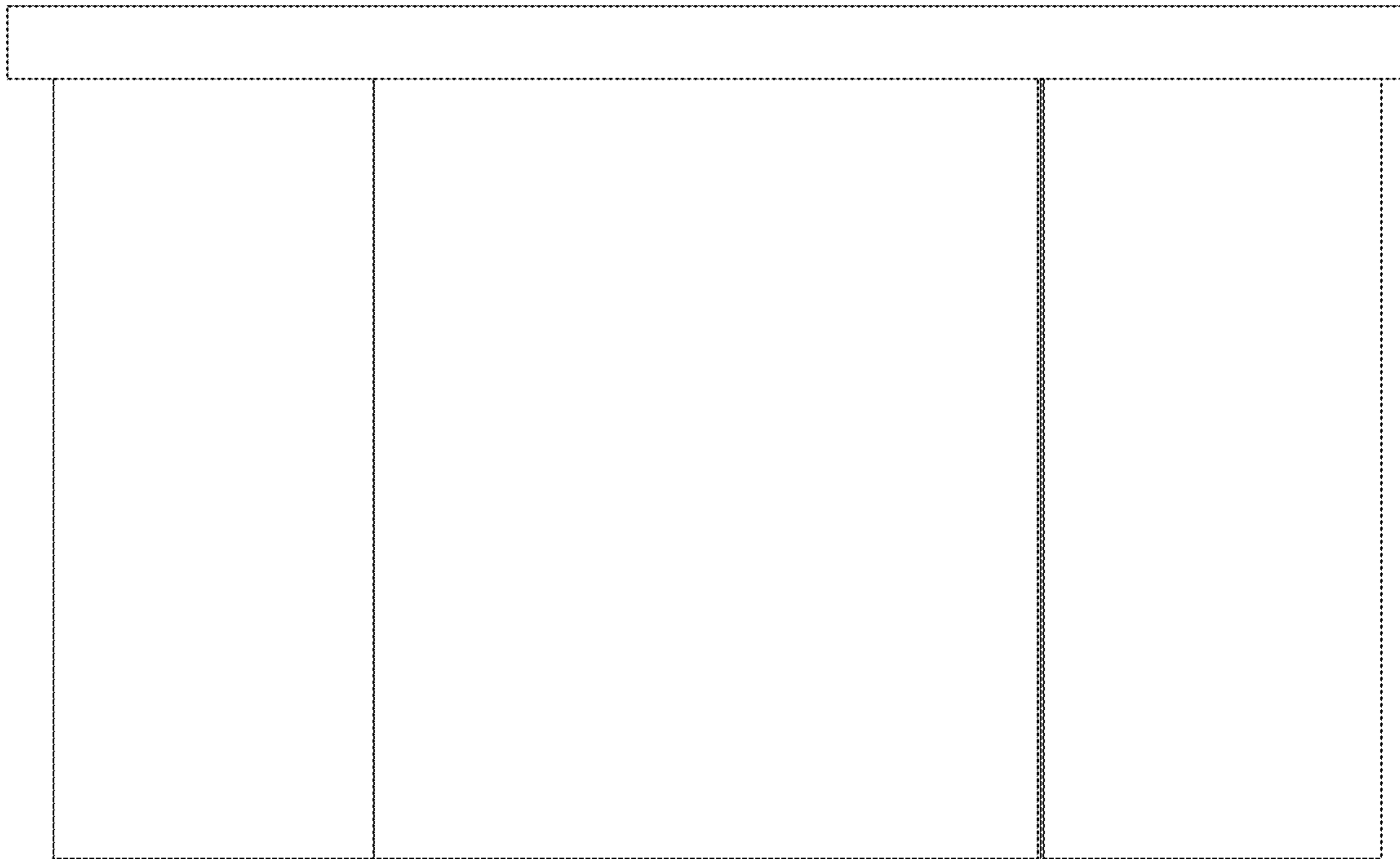


FIG. 2

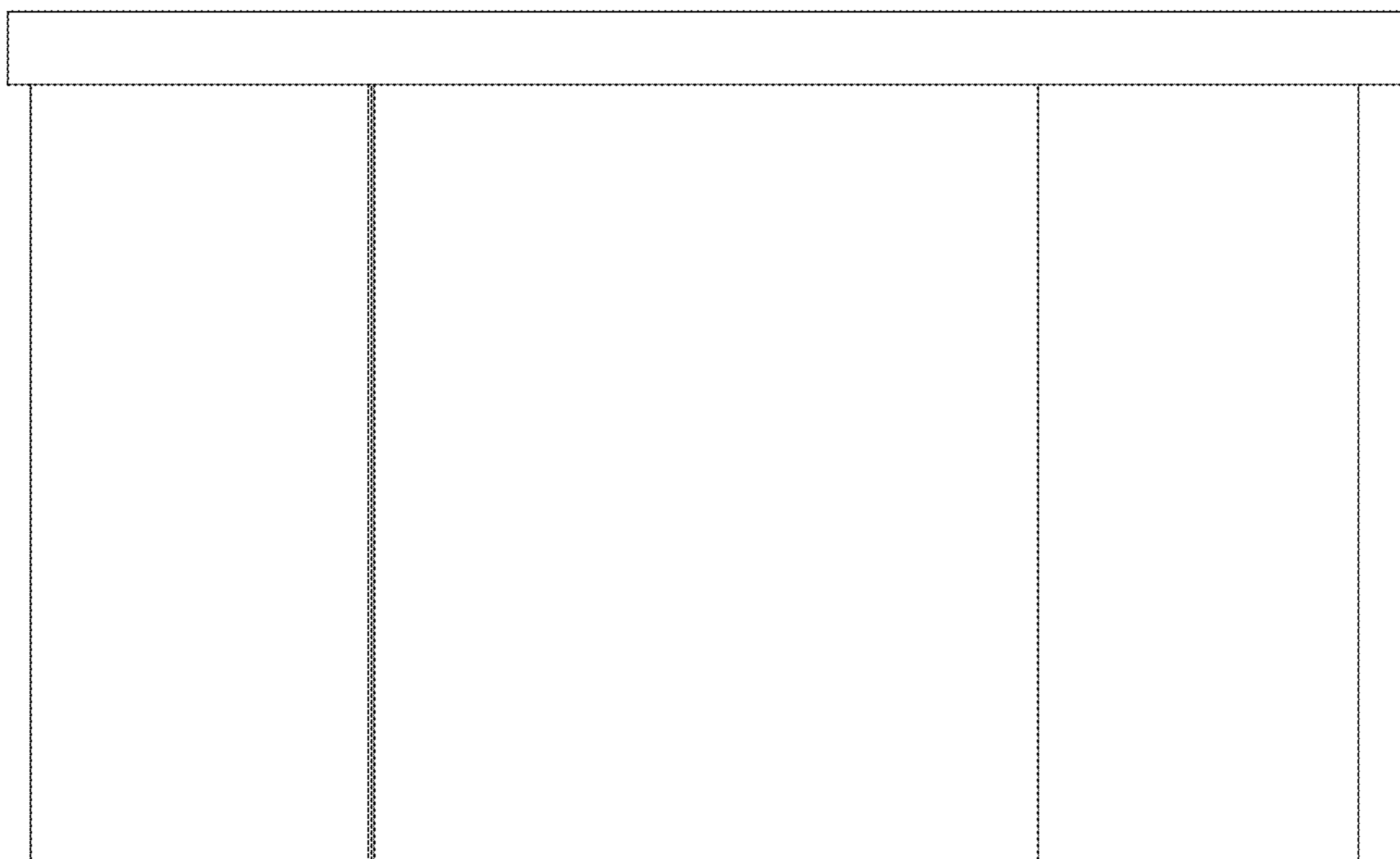


FIG. 3

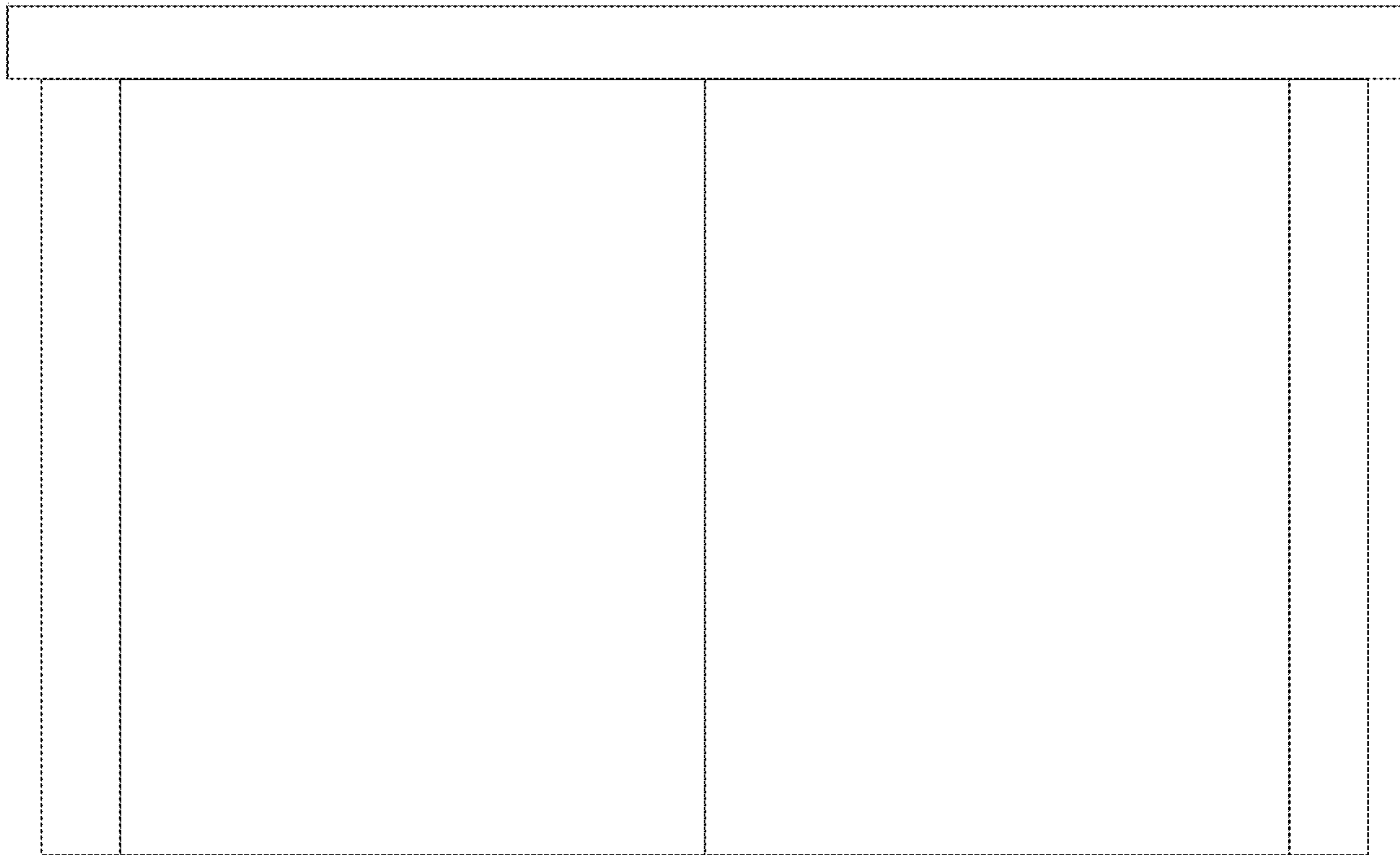


FIG. 4

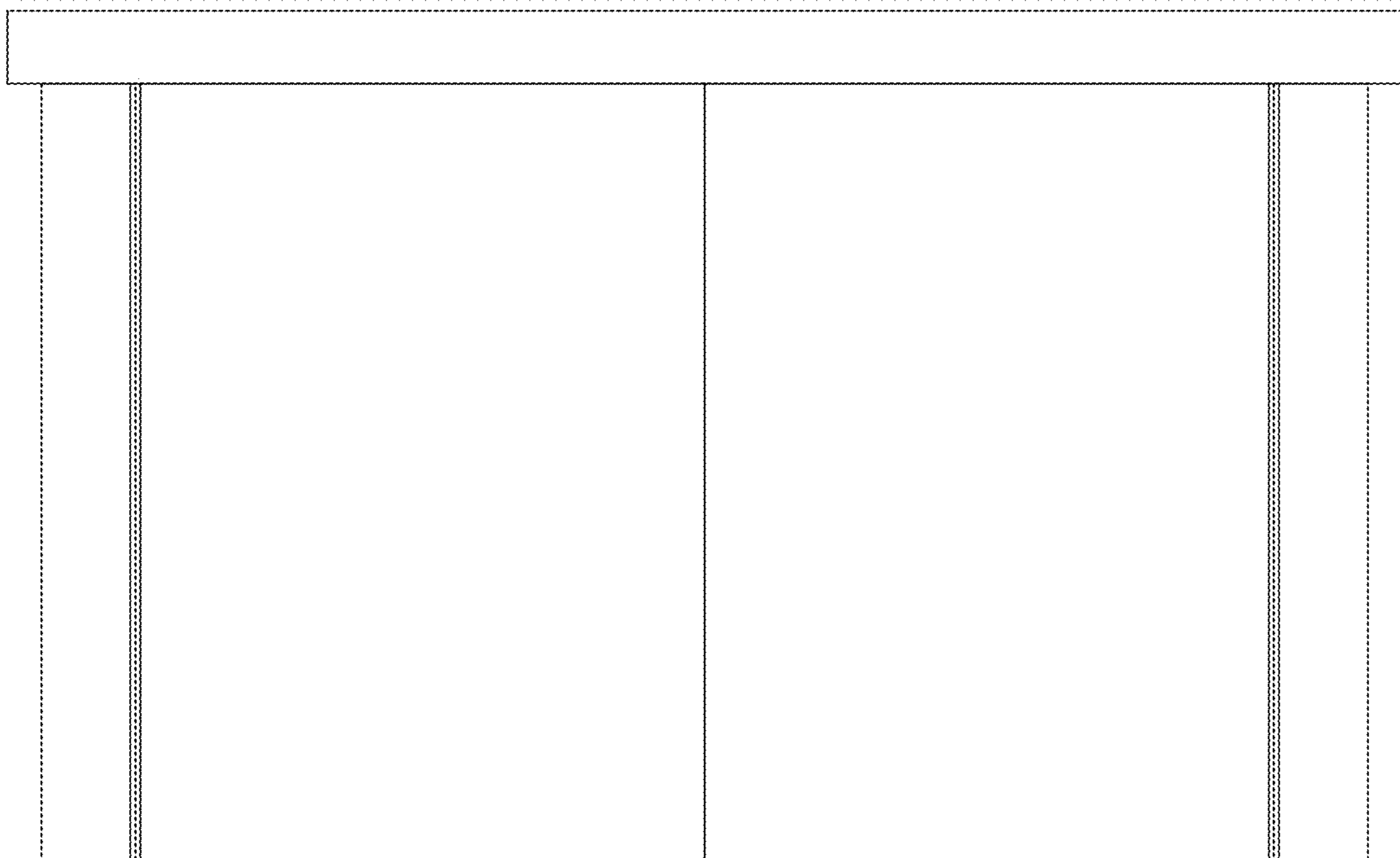


FIG. 5

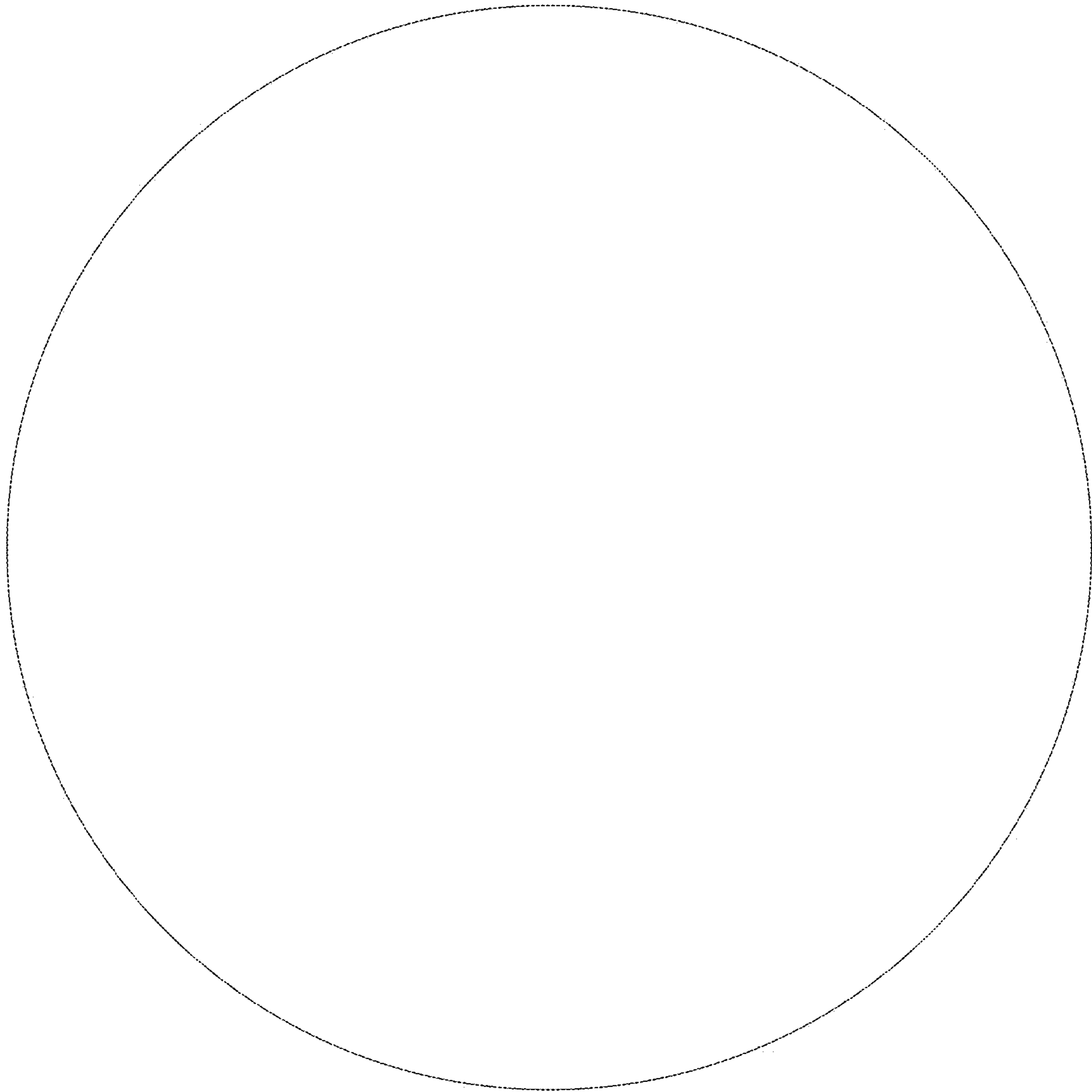


FIG. 6

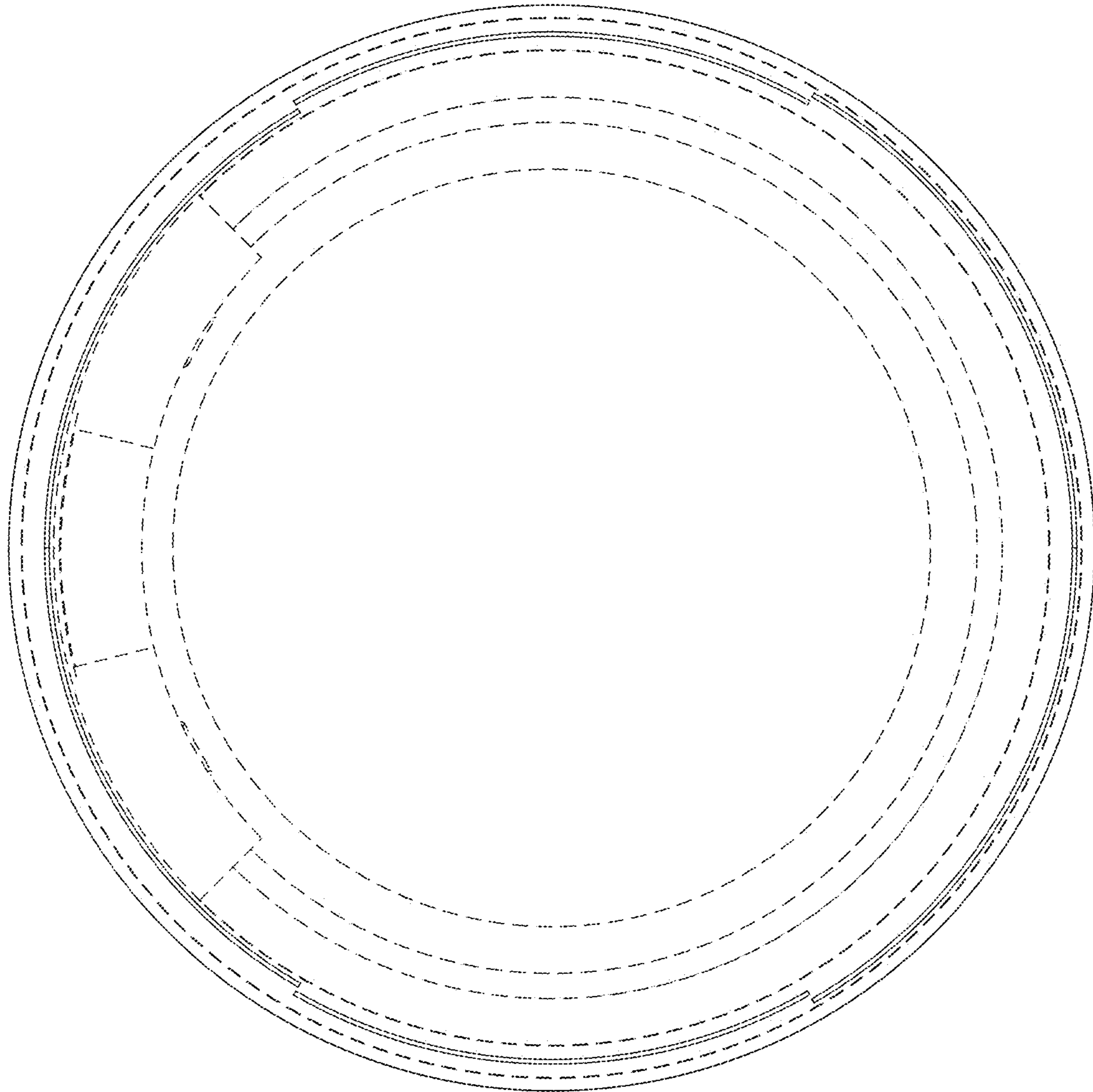


FIG. 7