



US00D981006S

(12) **United States Design Patent** (10) **Patent No.:** **US D981,006 S**
Sullivan et al. (45) **Date of Patent:** **** Mar. 14, 2023**

(54) **SWIMMING POOL INTERIOR SLOPE WITH SIDE STEPS**

(71) Applicant: **San Juan Patents, Inc.**, Lakeland, FL (US)

(72) Inventors: **Kirk Sullivan**, Lakeland, FL (US);
Todd Sullivan, Lakeland, CA (US)

(73) Assignee: **SAN JUAN PATENTS, INC.**,
Lakeland, FL (US)

(**) Term: **15 Years**

(21) Appl. No.: **29/731,726**

(22) Filed: **Apr. 17, 2020**

(51) **LOC (14) Cl.** **25-03**

(52) **U.S. Cl.**
USPC **D25/2**

(58) **Field of Classification Search**
USPC D25/2; D24/204, 201; 4/488, 541.6,
4/904; D23/304.275, 315, 277
CPC .. E04H 4/144; E04H 4/14; E04H 4/00; E04H
4/0018
See application file for complete search history.

(56) **References Cited**

U.S. PATENT DOCUMENTS

3,236,012	A	*	2/1966	Laven	E04H 4/144
						D25/2
D216,194	S	*	12/1969	Benson	D24/205
4,599,835	A	*	7/1986	Rinke	E04H 4/144
						D25/2
D483,875	S	*	12/2003	Dupras	D24/204
D509,593	S		9/2005	Sullivan		
D509,902	S	*	9/2005	Sullivan	D25/2
D510,630	S		10/2005	Sullivan		
D514,228	S		1/2006	Sullivan		
D514,229	S		1/2006	Sullivan		
D514,708	S		2/2006	Sullivan		

D546,474	S	7/2007	Sullivan
D559,399	S	1/2008	Sullivan
D559,400	S	1/2008	Sullivan
D559,401	S	1/2008	Sullivan
D559,402	S	1/2008	Sullivan
D573,716	S	7/2008	Sullivan
D573,717	S	7/2008	Sullivan
D573,718	S	7/2008	Sullivan
D573,719	S	7/2008	Sullivan
D573,720	S	7/2008	Sullivan
D574,967	S	8/2008	Sullivan
D576,738	S	9/2008	Sullivan
7,908,682	B2	3/2011	Sullivan

(Continued)

FOREIGN PATENT DOCUMENTS

CA	81748	*	9/1997
EM	002727180-0002	*	6/2015
IL	60611	*	7/2019

Primary Examiner — Brett Miller

Assistant Examiner — Jasmine L. Comedy

(74) *Attorney, Agent, or Firm* — Stetina Brunda Garred & Brucker

(57) **CLAIM**

The ornamental design for a swimming pool interior slope with side steps, as shown and described.

DESCRIPTION

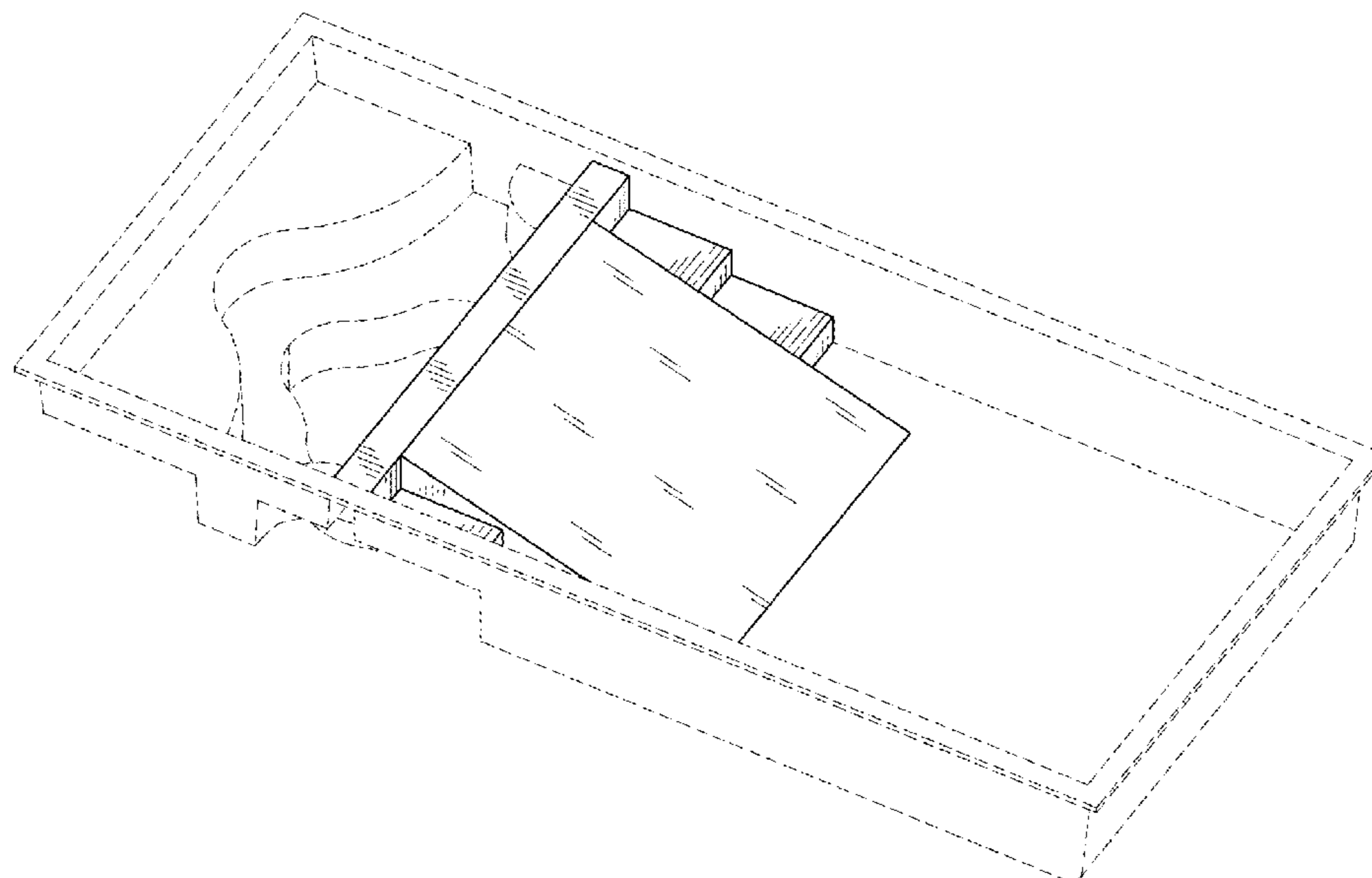
FIG. 1 is an elevated perspective view of a swimming pool interior slope with side steps of the present invention wherein the portions illustrated in dotted lines form no part of the claimed design;

FIG. 2 is a top view of the embodiment of FIG. 1;

FIG. 3 is a right-side view of the embodiment of FIG. 1 taken along lines 3-3 of FIG. 2, the left side being a mirror image; and,

FIG. 4 is a front view of the embodiment of FIG. 1 taken along lines 4-4 of FIG. 2.

1 Claim, 1 Drawing Sheet



(56)

References Cited

U.S. PATENT DOCUMENTS

D660,442	S *	5/2012	Sullivan	D24/204
D671,655	S *	11/2012	Sullivan	D25/2
D676,147	S	2/2013	Sullivan		
D676,148	S *	2/2013	Sullivan	D25/2
D685,500	S *	7/2013	Sullivan	D25/2
D851,781	S *	6/2019	Khamis	D25/2
10,358,837	B2	7/2019	Khamis et al.		
10,450,766	B2 *	10/2019	Khamis	E04H 4/14
2015/0089732	A1 *	4/2015	Khamis	H04L 45/14 405/302.7
2021/0402421	A1	12/2021	Sullivan		
2022/0186511	A1 *	6/2022	Hobaica	E04H 4/0093
2022/0213709	A1 *	7/2022	Feeney	E04H 4/00

* cited by examiner

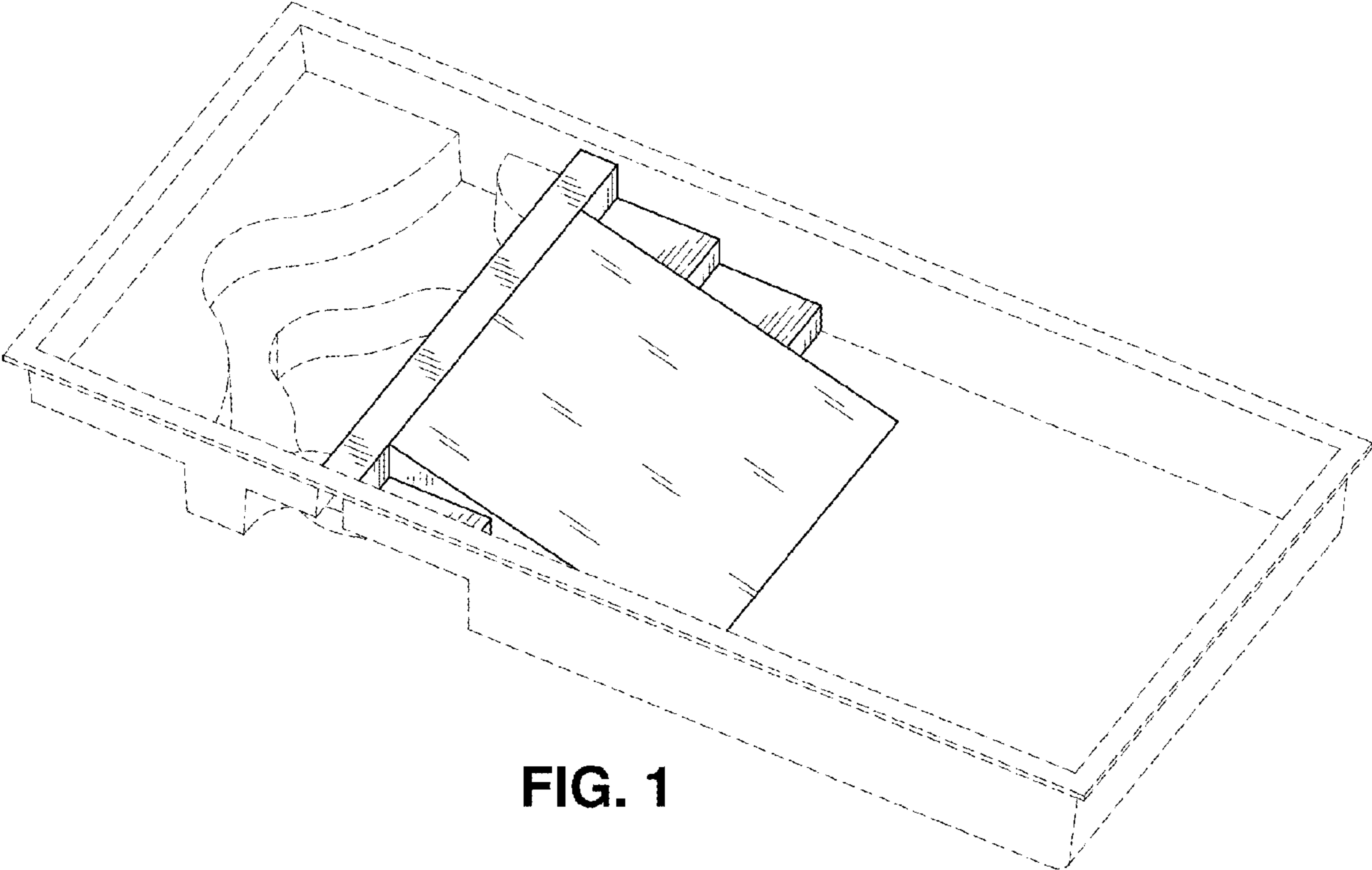


FIG. 1

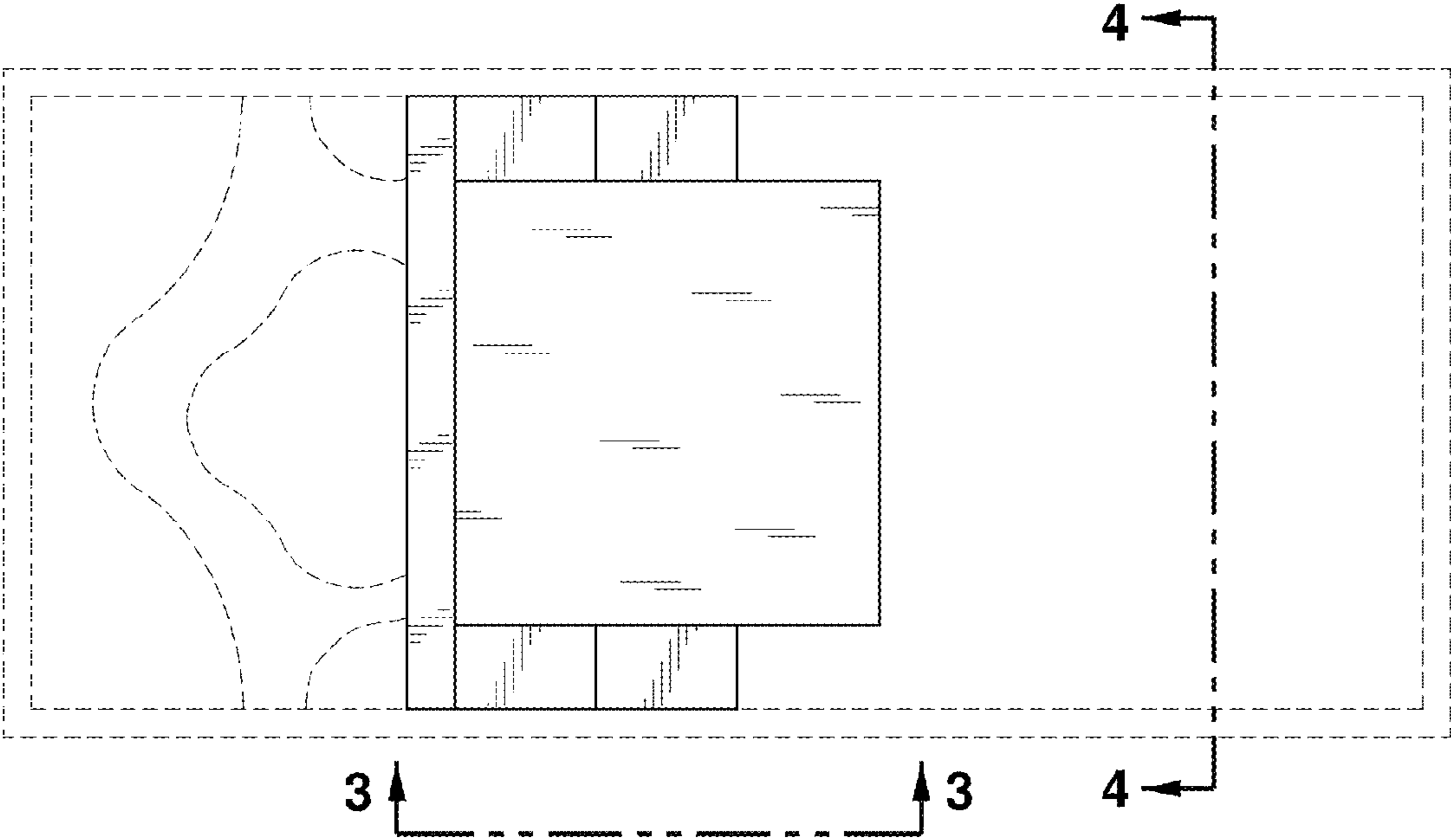


FIG. 2

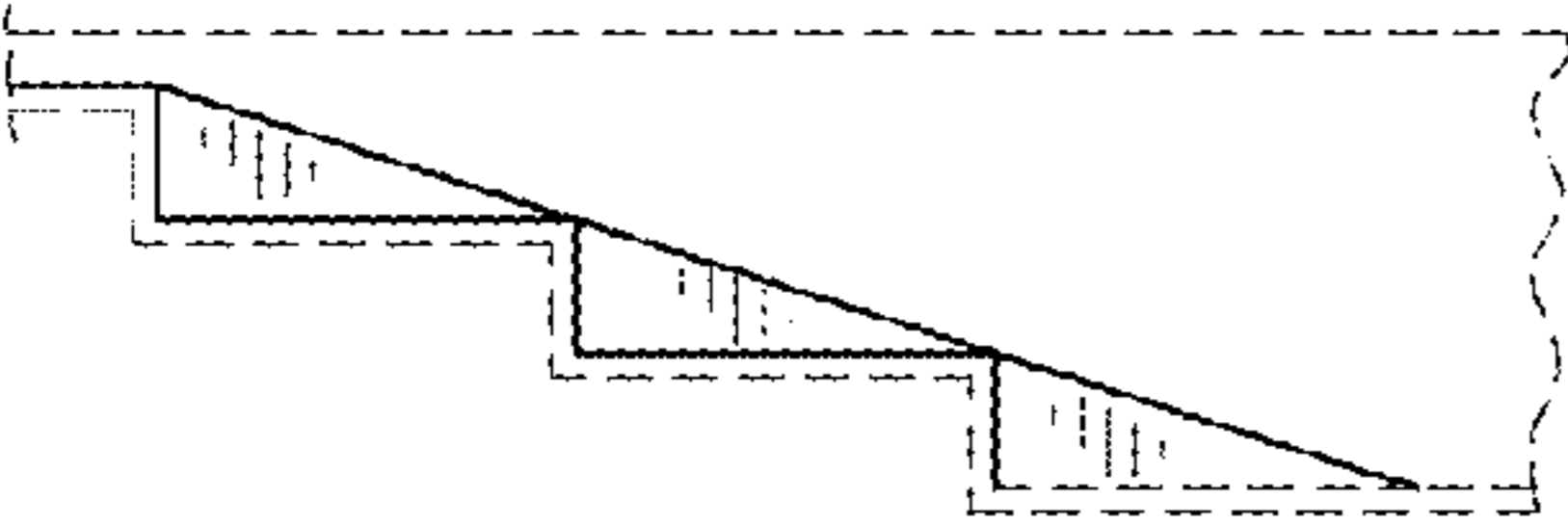


FIG. 3

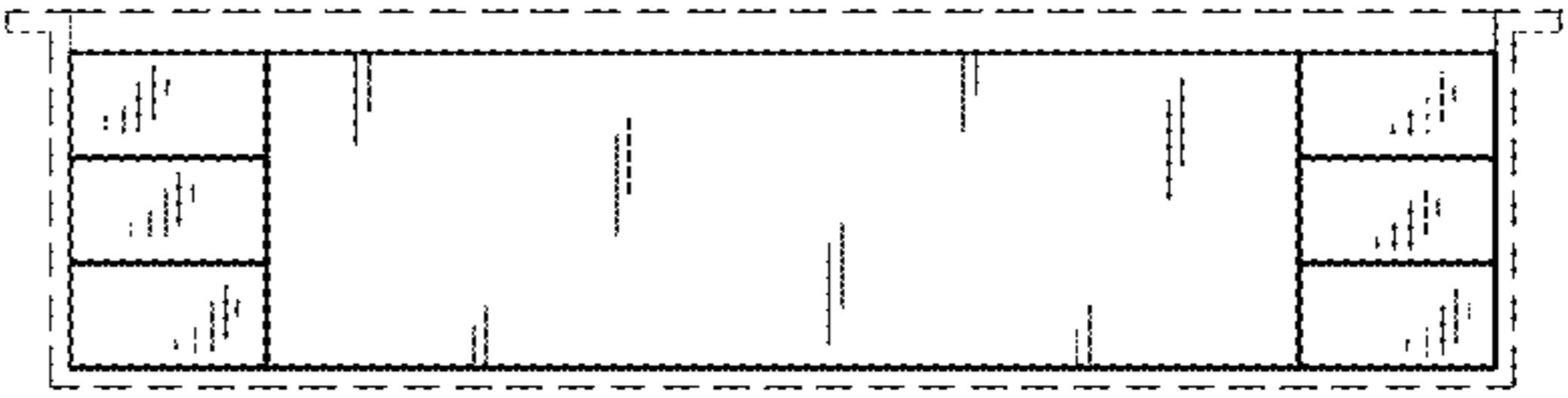


FIG. 4