



US00D981002S

(12) **United States Design Patent**
Somei

(10) **Patent No.:** **US D981,002 S**
(45) **Date of Patent:** **** Mar. 14, 2023**

- (54) **STERILIZING CABINET**
- (71) Applicant: **KALTECH CORPORATION**, Osaka (JP)
- (72) Inventor: **Junichi Somei**, Osaka (JP)
- (73) Assignee: **KALTECH CORPORATION**, Osaka (JP)
- (**) Term: **15 Years**
- (21) Appl. No.: **35/513,815**
- (22) Filed: **Feb. 24, 2022**
- (80) **Hague Agreement Data**
 Int. Filing Date: **Feb. 24, 2022**
 Int. Reg. No.: **DM/219440**
 Int. Reg. Date: **Feb. 24, 2022**
 Int. Reg. Pub. Date: **Mar. 18, 2022**
- (51) **LOC (14) Cl.** **24-02**
- (52) **U.S. Cl.**
 USPC **D24/217; D32/1; D7/609**
- (58) **Field of Classification Search**
 USPC **D32/1, 55; D24/217; D7/609; D6/668**
 CPC **A61L 2/00; A61L 2/0047; A61L 2/025; A61L 2/10**
 See application file for complete search history.

- D286,126 S * 10/1986 Driscoll D6/666
- D372,399 S * 8/1996 Wang D7/609
- D412,645 S * 8/1999 Yang D7/609
- D428,775 S * 8/2000 Chen D7/609
- D430,370 S * 8/2000 Rosal D32/55
- D448,251 S * 9/2001 Bodum A47J 47/12 D7/609

(Continued)

FOREIGN PATENT DOCUMENTS

- CN 303907707 * 11/2016
- CN 305717682 * 4/2020

OTHER PUBLICATIONS

GreenPower UV Sterilizer Box, available in Amazon.com, date first available Jun. 12, 2021 [online], [site visited Nov. 5, 2022], Available from the internet URL: https://www.amazon.ca/Sterilizer-Professional-Appliances-Disinfection-sterilizer/dp/B092CP92XS/ref=sr_1_1 (Year: 2021).*

(Continued)

Primary Examiner — Jennifer Rivard
Assistant Examiner — Jennylou M Binas
(74) *Attorney, Agent, or Firm* — Hamre, Schumann, Mueller & Larson, P.C.

(57) **CLAIM**

The ornamental design for a sterilizing cabinet, as shown and described.

(56) **References Cited**

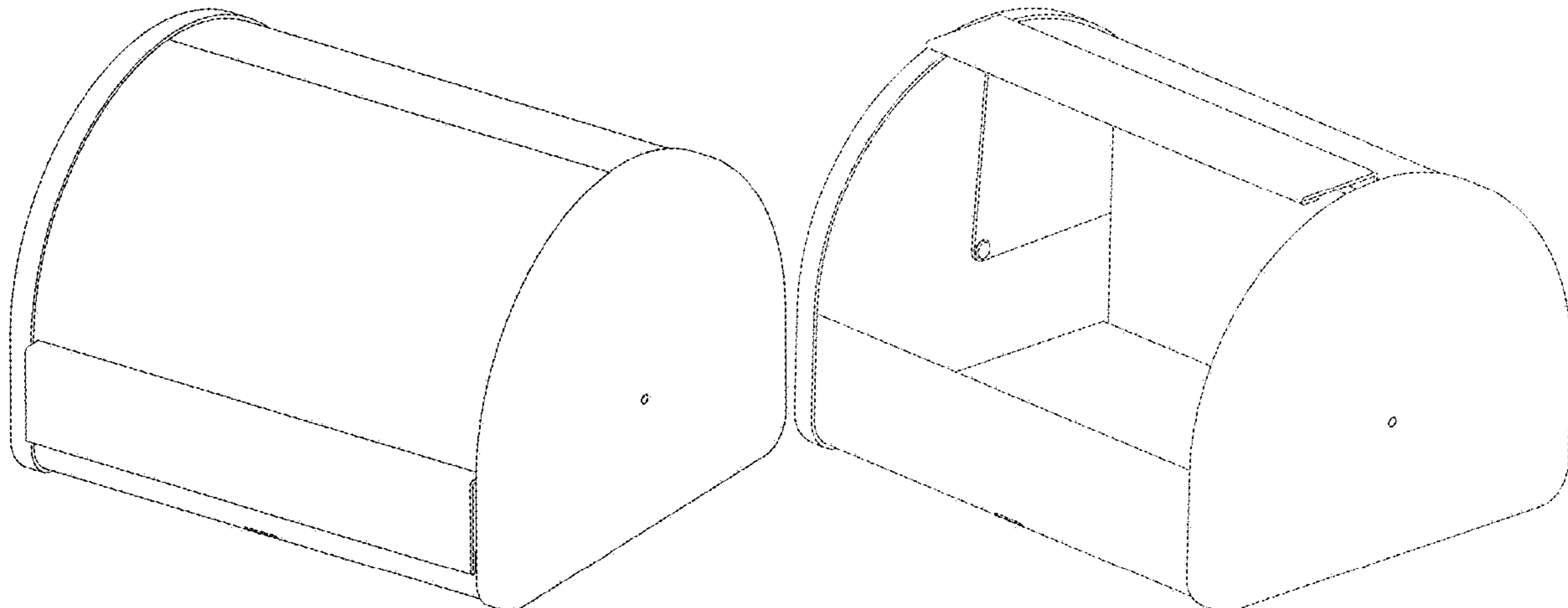
U.S. PATENT DOCUMENTS

- D11,058 S * 3/1879 Brown D6/668
- 2,270,792 A * 1/1942 Weintraub A61L 2/00 422/119
- D166,225 S * 3/1952 Popeil D7/609
- D167,031 S * 6/1952 Gallagher, Jr. D24/217
- D169,121 S * 3/1953 Burroughs D7/609
- 2,822,476 A * 2/1958 Osgood A61L 2/10 250/455.11
- D211,973 S * 8/1968 Eppler D24/217
- D232,799 S * 9/1974 Knudson 217/62
- D276,772 S * 12/1984 Snediker D6/666

DESCRIPTION

- 1. Sterilizing cabinet
- 1.1 : Front
- 1.2 : Back
- 1.3 : Top
- 1.4 : Bottom
- 1.5 : Left
- 1.6 : Right
- 1.7 : Perspective
- 1.8 : Reference view showing the state with a lid opened

1 Claim, 8 Drawing Sheets



(56)

References Cited

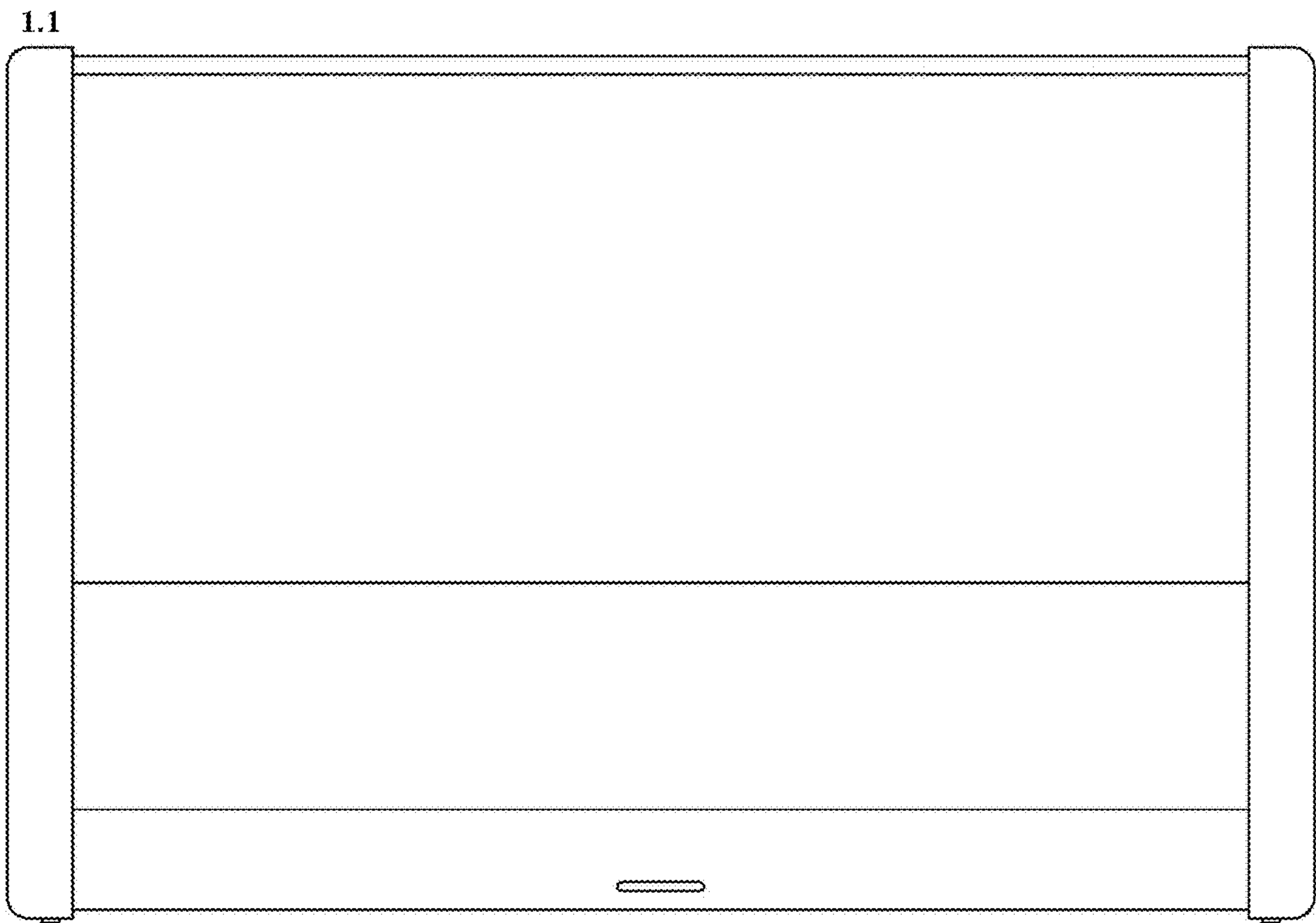
U.S. PATENT DOCUMENTS

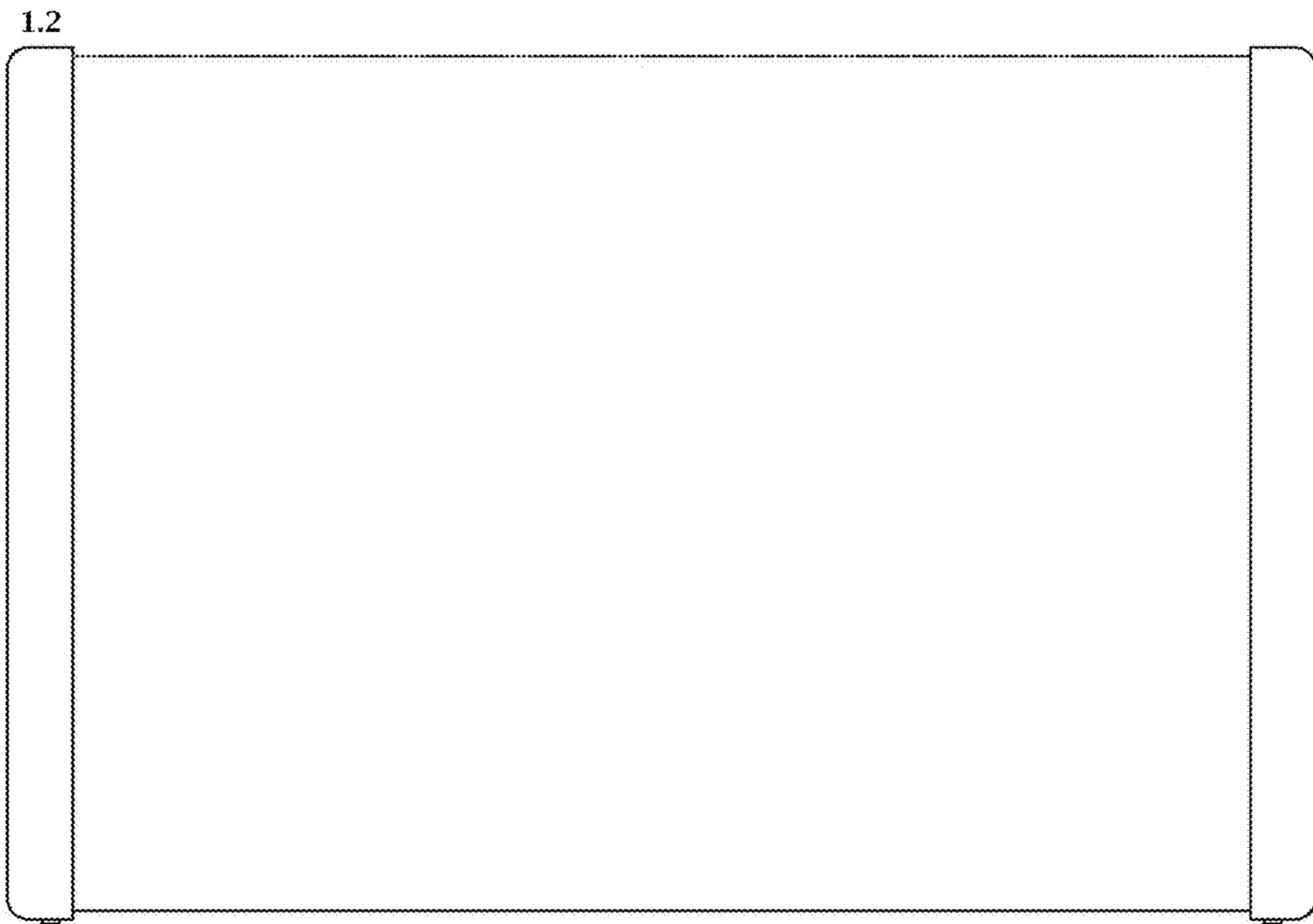
D484,752 S * 1/2004 Verbeek A47J 47/12
D7/609
D522,812 S * 6/2006 Lee A47J 47/12
D7/609
D528,371 S * 9/2006 de Groote D7/698
D560,978 S * 2/2008 Daams A47J 47/12
D7/609
D600,942 S * 9/2009 Marrone D6/666

OTHER PUBLICATIONS

Oggi Stainless Steel Roll Top Bread Box, date first available Jul. 1, 2008 [online], [site visited Nov. 5, 2022], Available from the internet URL: https://www.amazon.com/dp/B001AZIM68/ref=sspa_dk_detail_10 (Year: 2008).*

* cited by examiner

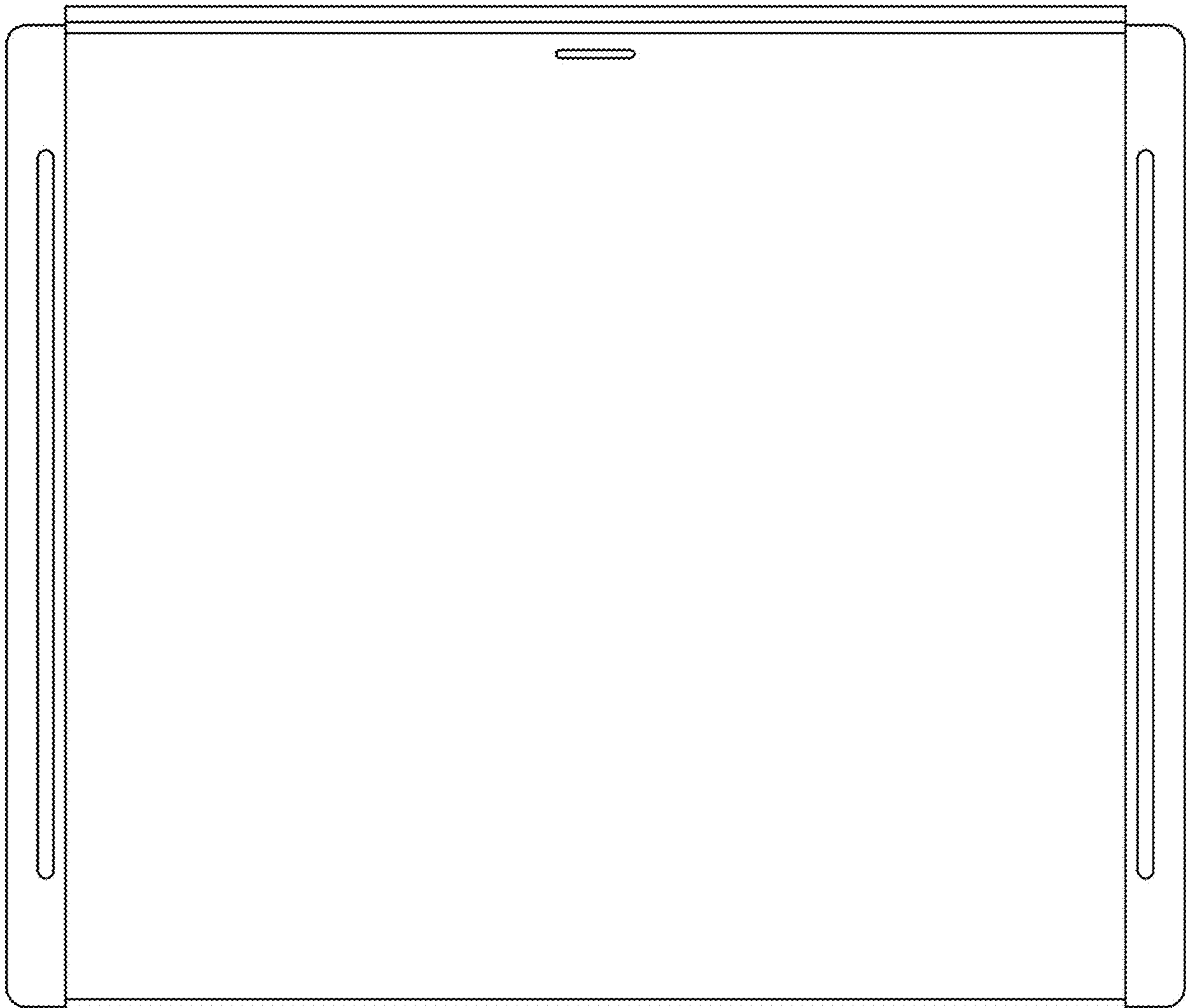




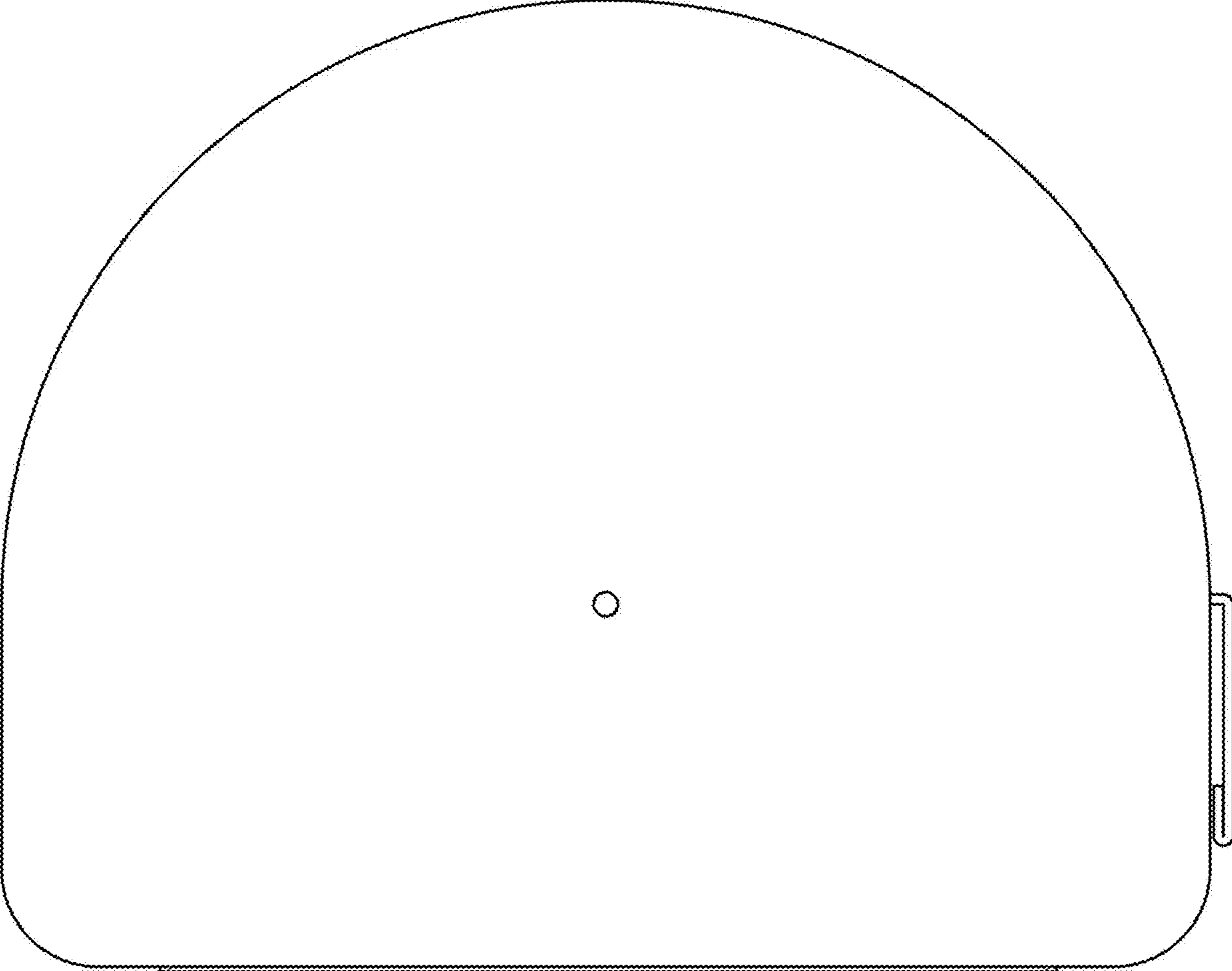
1.3



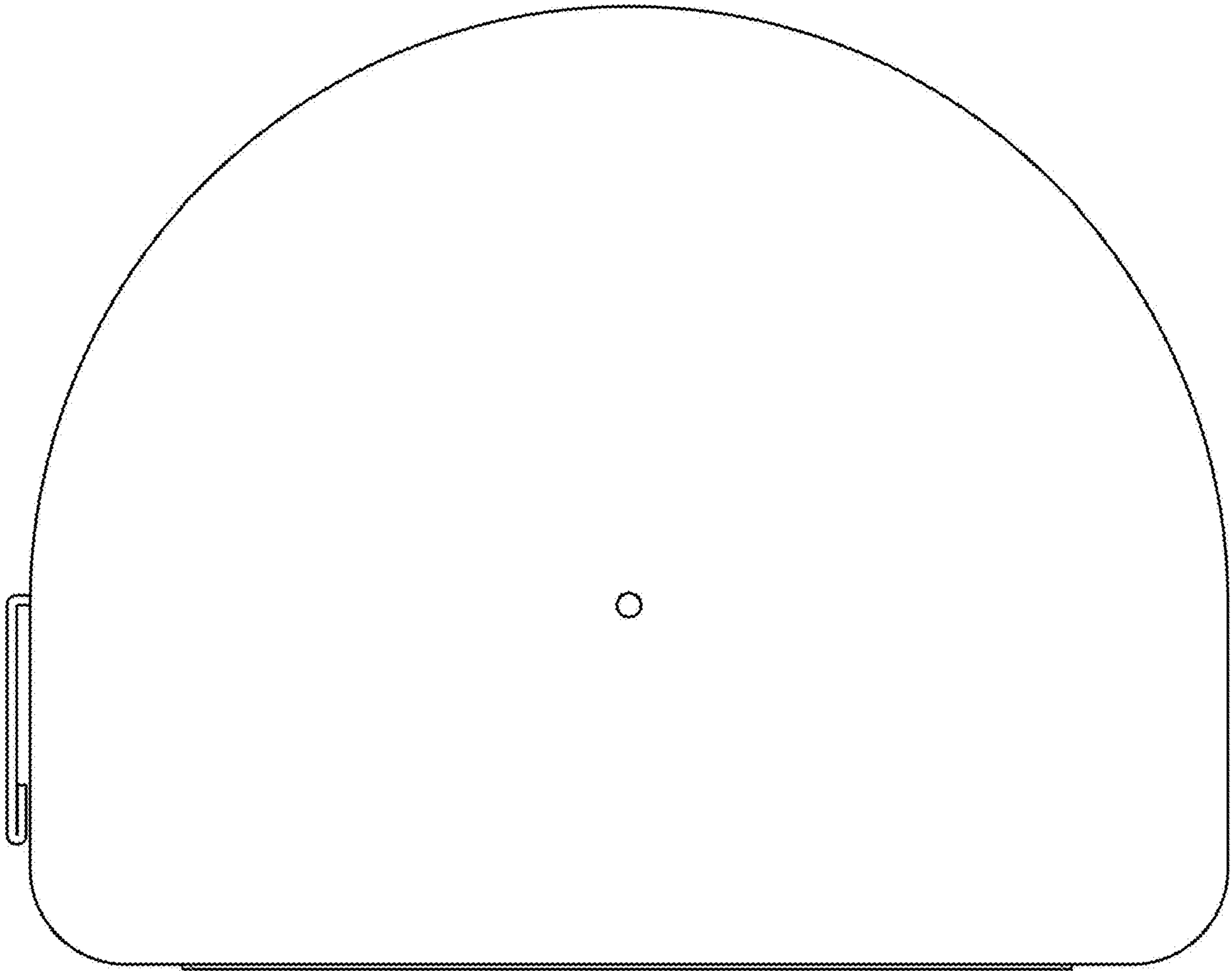
1.4



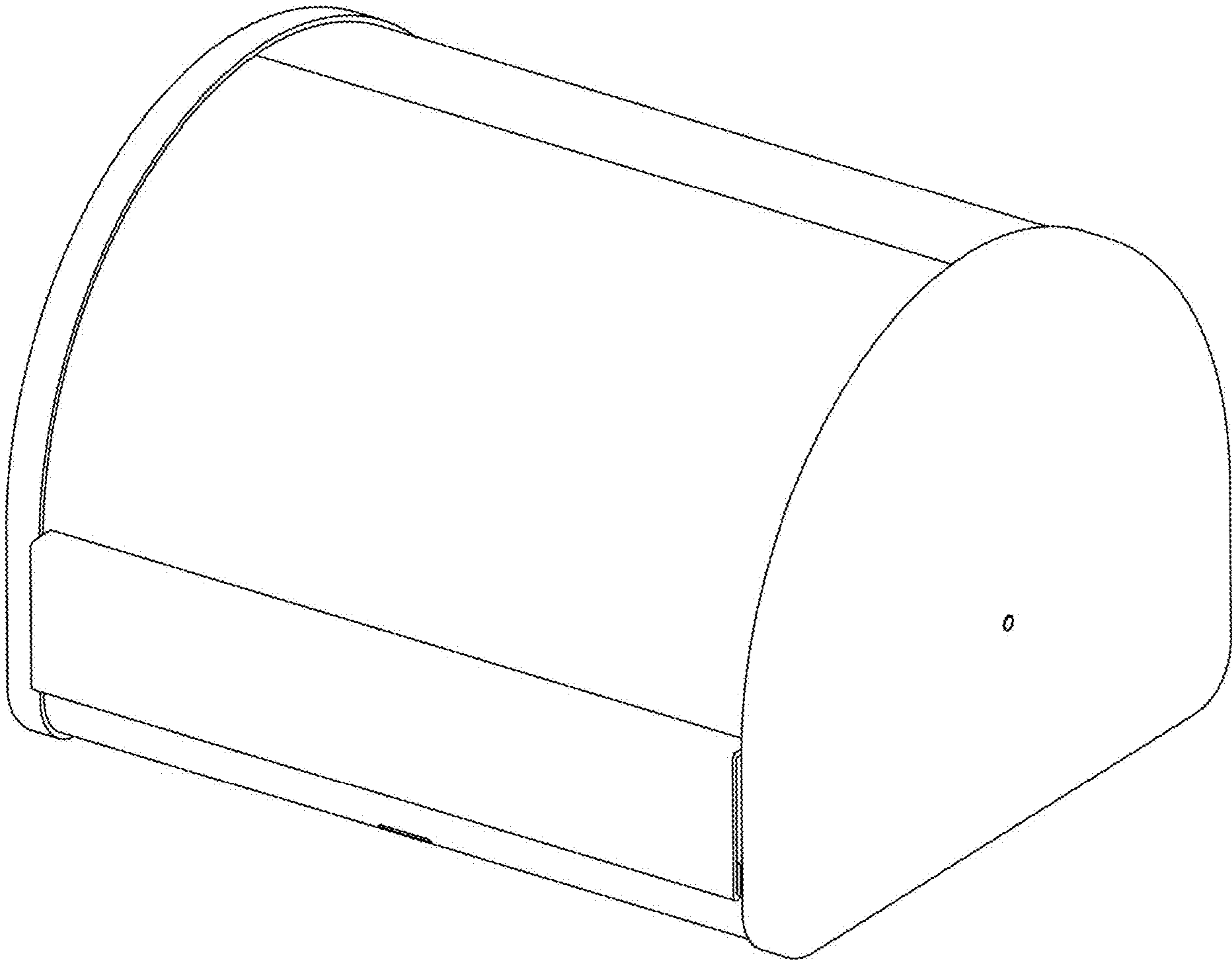
1.5



1.6



1.7



1.8

