



US00D981001S

(12) **United States Design Patent** (10) **Patent No.:** **US D981,001 S**
Best (45) **Date of Patent:** **** Mar. 14, 2023**

(54) **DIAGNOSTIC DEVICE BODY**
(71) Applicant: **Bayer Consumer Care AG**, Basel (CH)
(72) Inventor: **Michael Best**, Southampton (GB)
(73) Assignee: **Bayer Consumer Care AG**, Basel (CH)
(**) Term: **15 Years**
(21) Appl. No.: **29/777,136**
(22) Filed: **Apr. 2, 2021**
(30) **Foreign Application Priority Data**
Mar. 23, 2021 (EM) 008472138
(51) **LOC (14) Cl.** **24-01**
(52) **U.S. Cl.**
USPC **D24/216**
(58) **Field of Classification Search**
USPC D24/107, 186, 216, 232, 121, 122, 223,
D24/224, 225, 227, 231; D10/81
CPC A61B 10/0051; A61B 10/0096; C12Q
1/6883; C12Q 1/6806; B01L 3/5023;
B01L 3/523; B01L 3/565; B01L
2300/0809
See application file for complete search history.

(56) **References Cited**
U.S. PATENT DOCUMENTS
D323,399 S * 1/1992 Leno D24/224
D560,281 S * 1/2008 Kozak D24/216

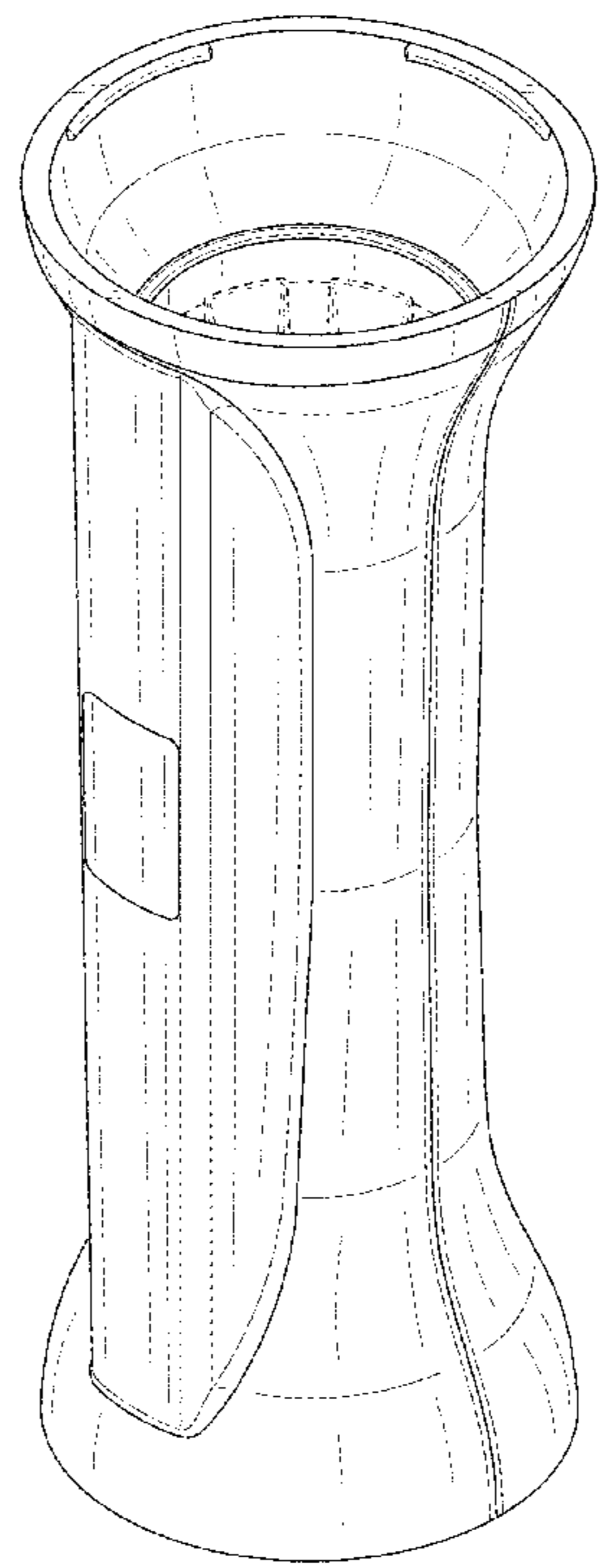
D561,344 S * 2/2008 Kozak D24/216
D594,131 S * 6/2009 Nguyen D24/216
D788,315 S * 5/2017 Matsuura D24/224
D864,774 S * 10/2019 Lei D24/186
D888,271 S * 6/2020 Pirod D24/224
D923,195 S * 6/2021 Harding D24/224
D954,287 S * 6/2022 Fry B01L 3/5029
D24/223
2006/0057027 A1 * 3/2006 Hudak A61B 10/0051
422/549
2018/0267030 A1 * 9/2018 Fiechtner G01N 33/54306
2019/0339263 A1 * 11/2019 Lei G01N 33/94
2021/0215585 A1 * 7/2021 Fruchter A61B 10/0051

* cited by examiner
Primary Examiner — Anhdao Doan
(74) *Attorney, Agent, or Firm* — Lowenstein Sandler LLP

(57) **CLAIM**
The ornamental design for a diagnostic device body, as shown and described.

DESCRIPTION
FIG. 1 is a perspective view of a diagnostic device body showing our new design in accordance with an embodiment of the invention;
FIG. 2 is a front view thereof;
FIG. 3 is a rear view thereof;
FIG. 4 is a right side view thereof;
FIG. 5 is a left side view thereof;
FIG. 6 is a top plan view thereof; and,
FIG. 7 is a bottom plan view thereof.
The broken lines in the drawings illustrate portions of the diagnostic device body that form no part of the claimed design.

1 Claim, 6 Drawing Sheets



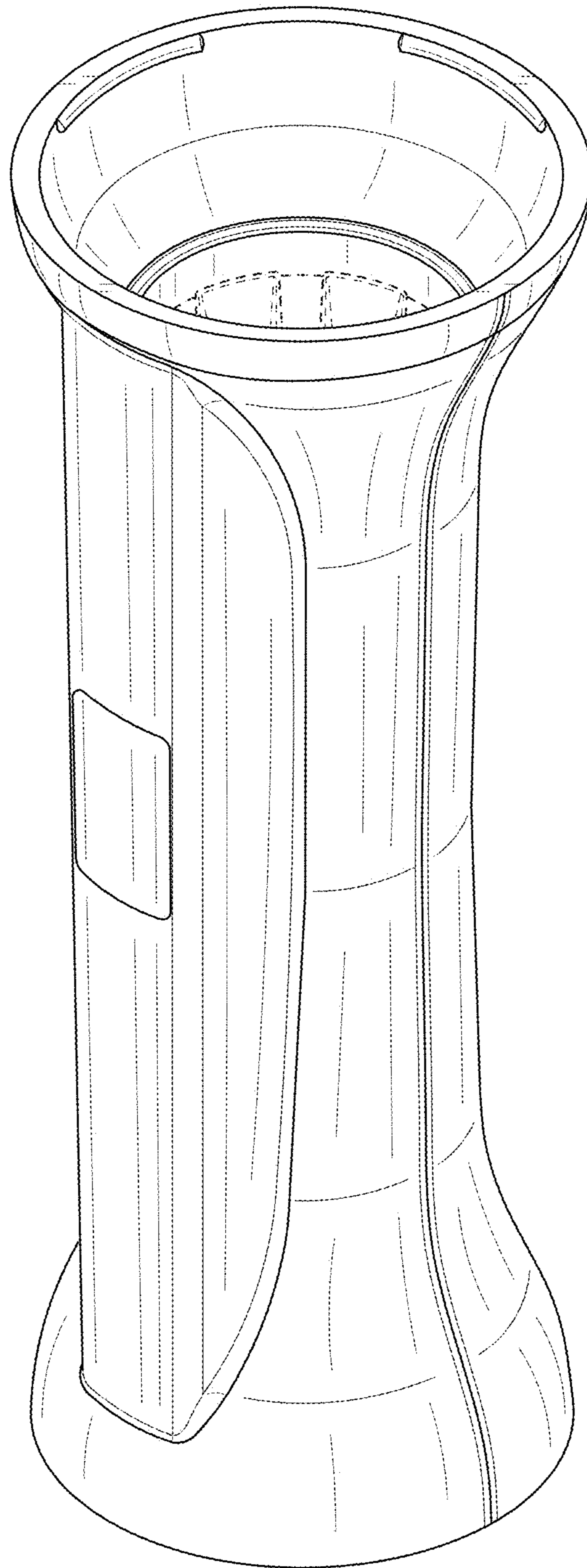


FIG. 1

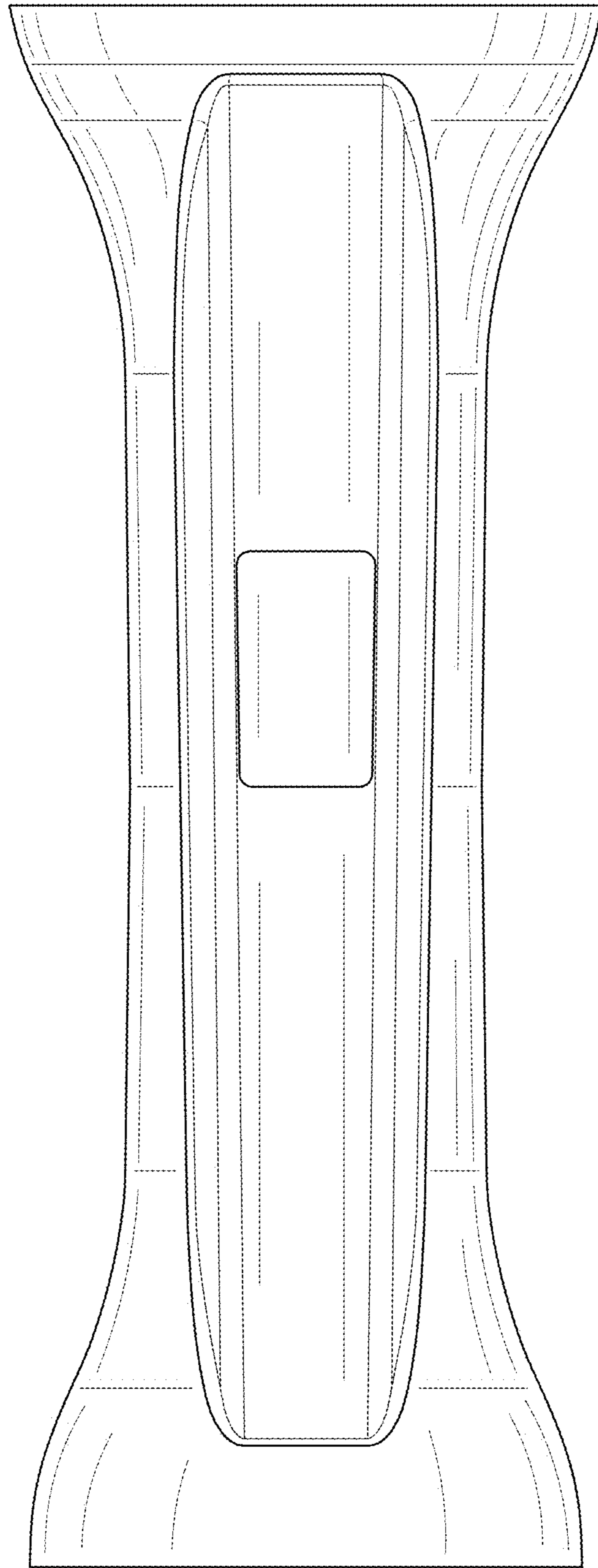


FIG. 2

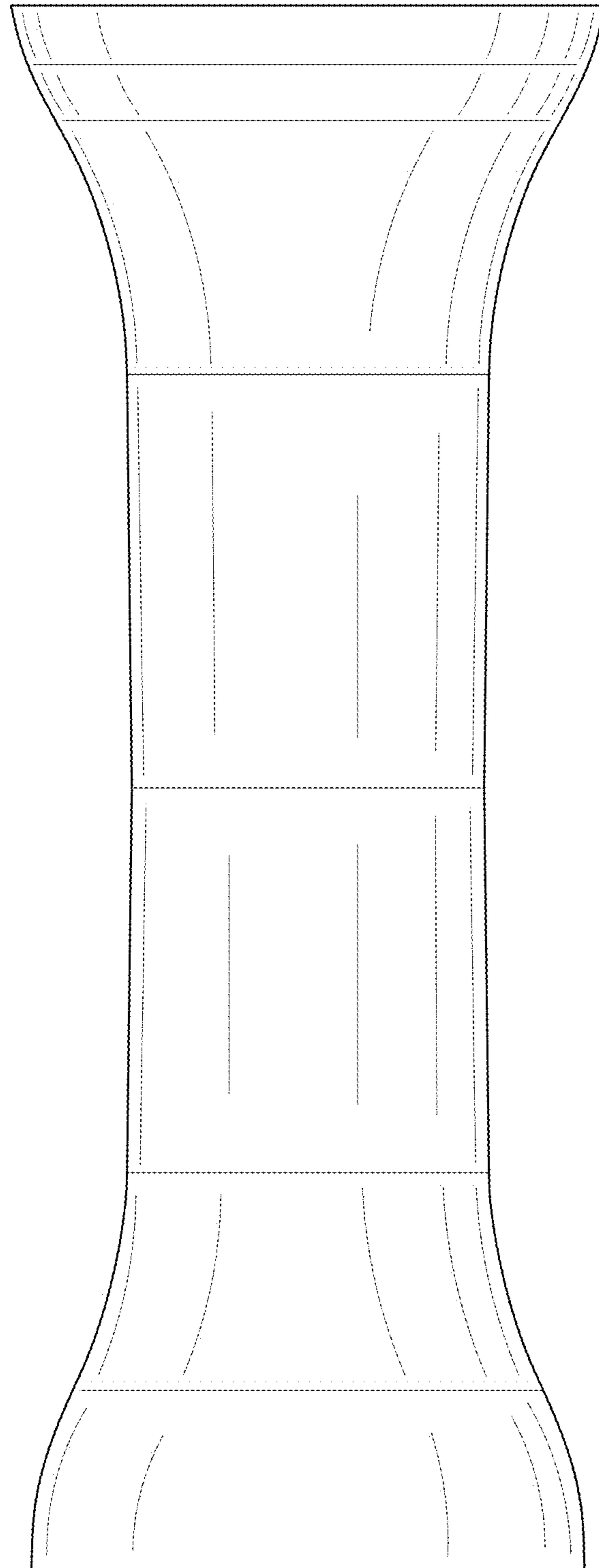


FIG. 3

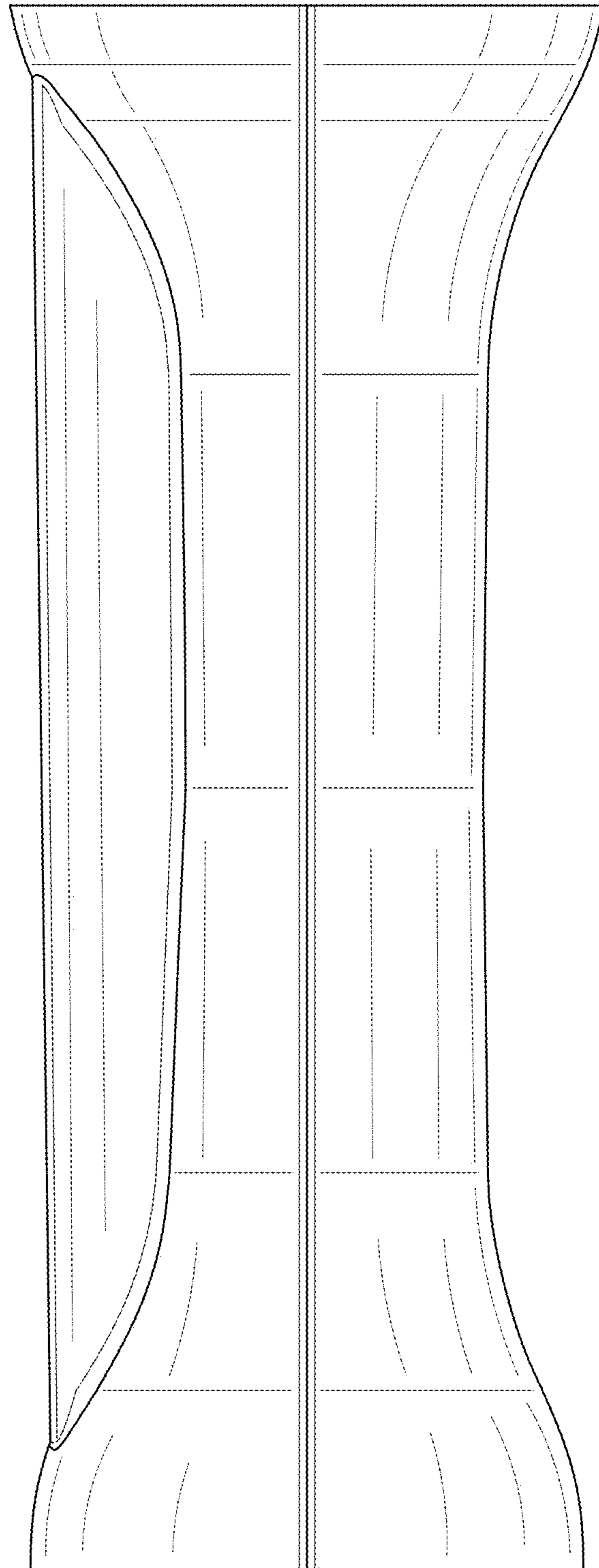


FIG. 4

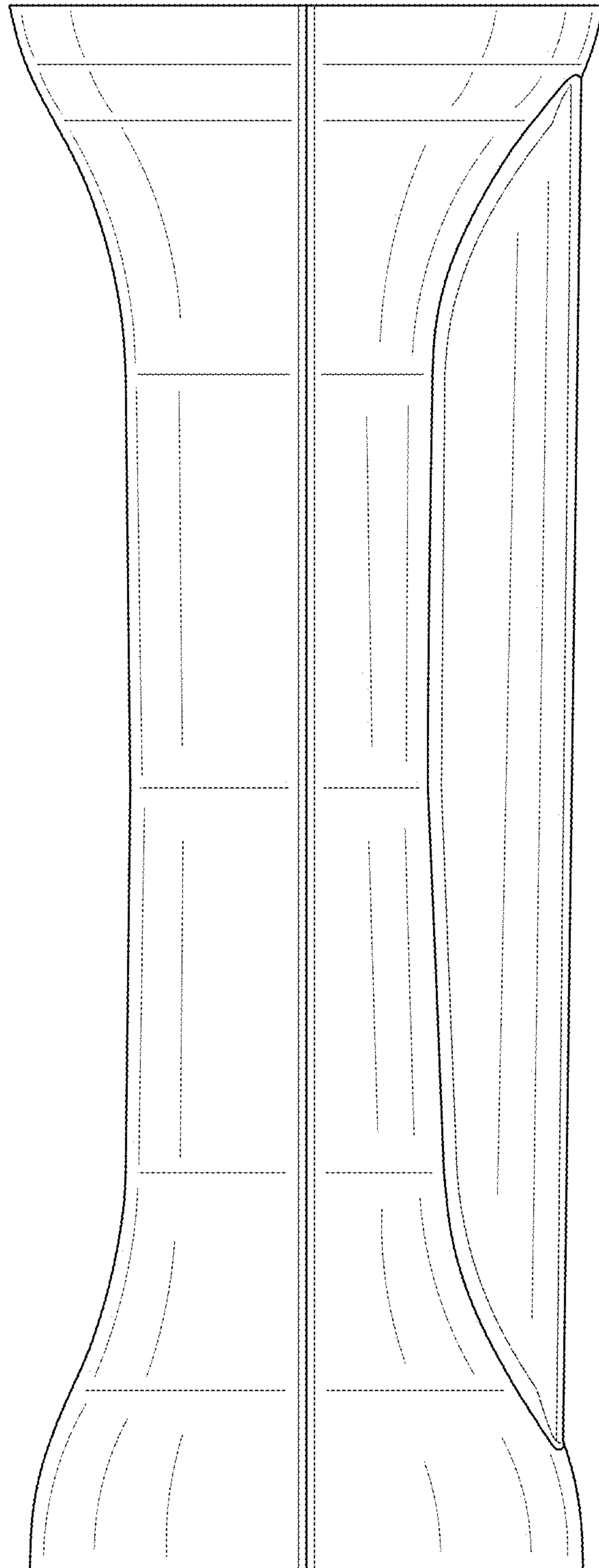


FIG. 5

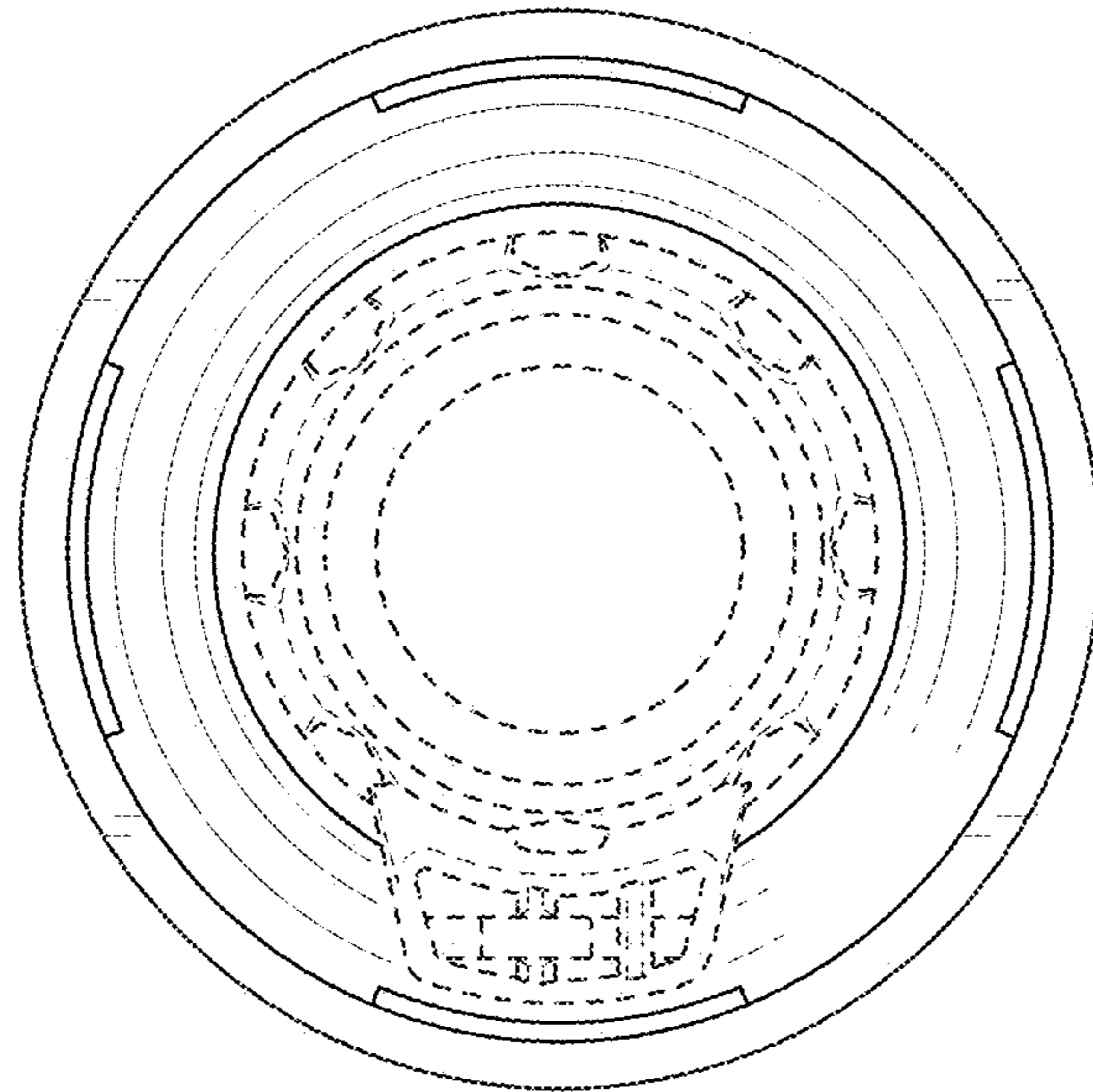


FIG. 6

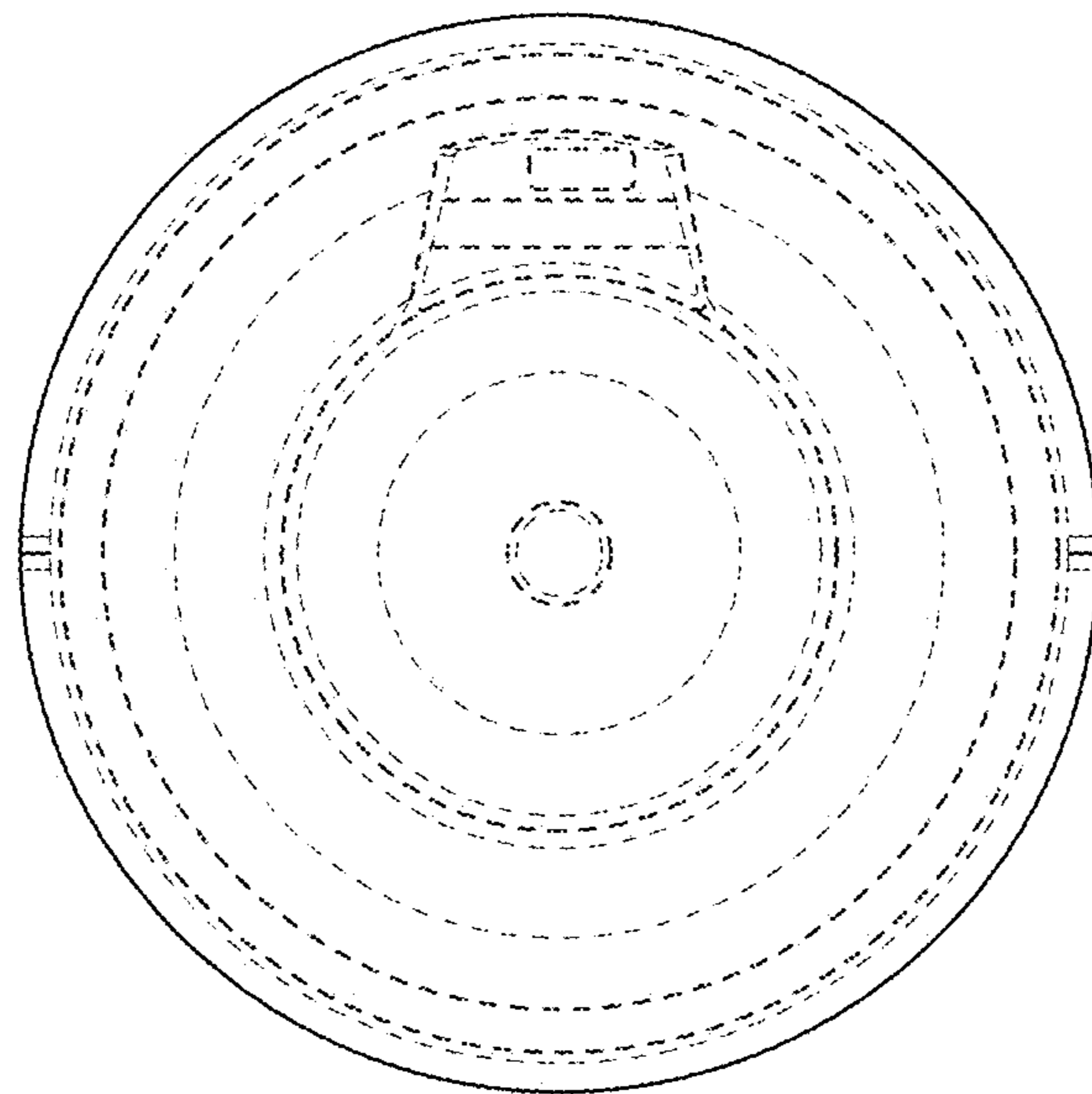


FIG. 7