



US00D980997S

(12) **United States Design Patent**
Carr

(10) **Patent No.:** **US D980,997 S**

(45) **Date of Patent:** **** Mar. 14, 2023**

(54) **MESSAGE TOOL**

(71) Applicant: **Daniel Edward Carr**, Los Angeles, CA
(US)

(72) Inventor: **Daniel Edward Carr**, Los Angeles, CA
(US)

(**) Term: **15 Years**

(21) Appl. No.: **29/747,101**

(22) Filed: **Aug. 19, 2020**

(51) **LOC (14) Cl.** **28-03**

(52) **U.S. Cl.**
USPC **D24/215**

(58) **Field of Classification Search**
USPC D24/215, 200, 211, 212, 213, 214, 133,
D24/107, 231, 184, 190, 191
CPC A61H 7/00; A61H 7/006; A61H 7/007;
A61H 15/00; A61H 2015/0007; A61H
2015/0042; A61H 15/0078; A61H
15/0085; A61H 2205/062; A61H 2205/08;
A61H 2205/081

See application file for complete search history.

(56) **References Cited**

U.S. PATENT DOCUMENTS

D569,006 S *	5/2008	Imboden	D24/215
D659,846 S *	5/2012	Pearson	D24/211
D687,958 S *	8/2013	Turner	D24/215
D697,630 S *	1/2014	Turner	D24/215
D764,677 S *	8/2016	Mason	D24/215
D823,479 S *	7/2018	Mollohan	D24/215
D905,180 S *	12/2020	Karvandi	D21/694

2020/0222273	A1*	7/2020	Park	A61H 15/00
2021/0236371	A1*	8/2021	Carr	A61H 1/008
2021/0236372	A1*	8/2021	Carr	A61H 7/001

OTHER PUBLICATIONS

Massagers. (Design—© Questel) orbit.com. [Online PDF compilation of references] 27 pgs. Print Dates Range Nov. 2, 2015-Mar. 31, 2020 [Retrieved Oct. 22, 2022] <https://www.orbit.com/export/UCZAH96B/pdf4/6926cb9c-6f21-4a2d-9810-771cc5d7aacf-232853.pdf> (Year: 2022).*

* cited by examiner

Primary Examiner — Eliza Z Harvey

Assistant Examiner — Landon Thomas Cassell

(74) *Attorney, Agent, or Firm* — Cohen IP Law Group, PC; Michael N. Cohen

(57) **CLAIM**

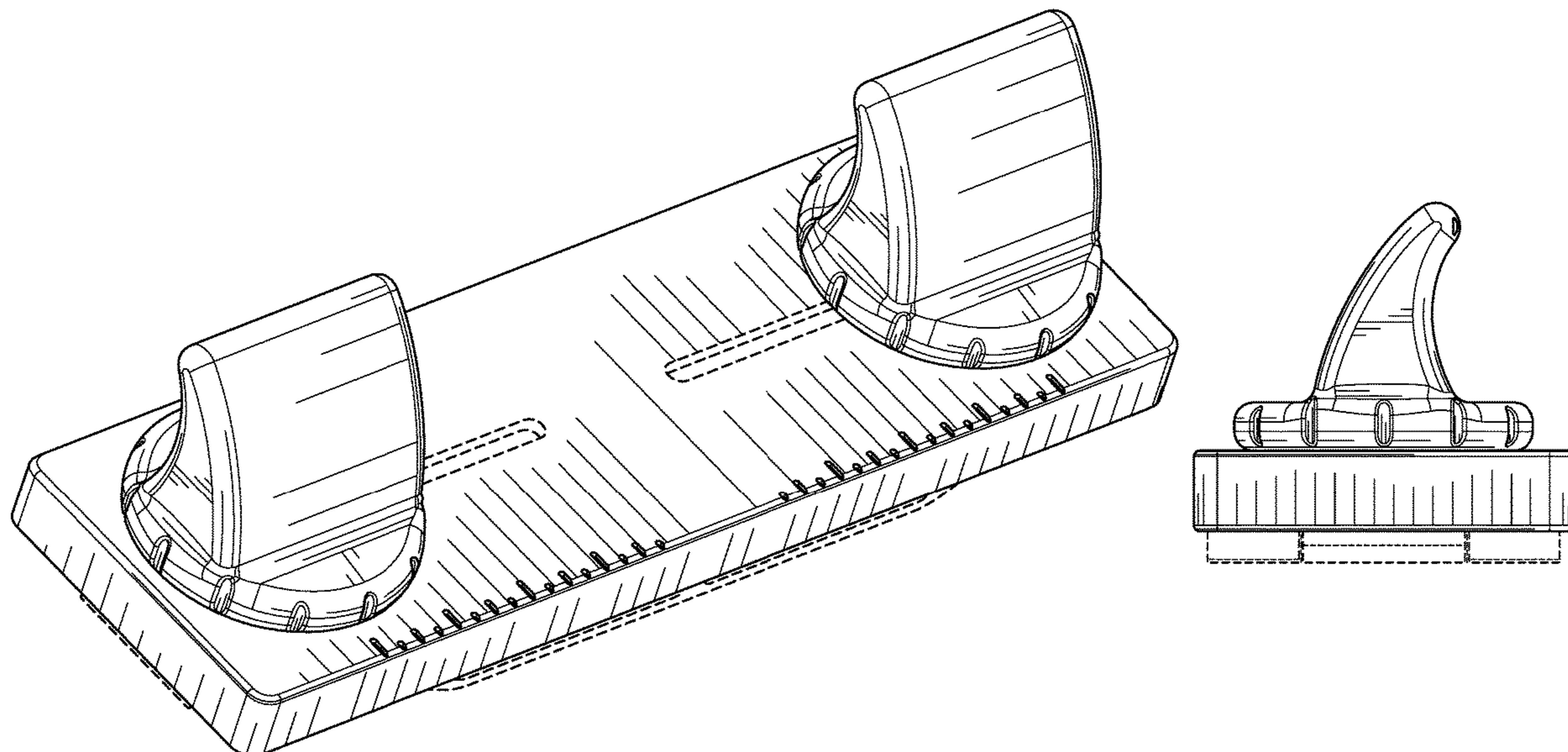
I claim the ornamental design for a massage tool, as shown and described.

DESCRIPTION

- FIG. 1: Top Perspective View;
- FIG. 2: Bottom Perspective View;
- FIG. 3: Front View;
- FIG. 4: Rear View;
- FIG. 5: Top View;
- FIG. 6: Bottom View;
- FIG. 7: Left Side View; and,
- FIG. 8: Right Side View.

The broken lines depict portions of the massage tool that form no part of the claimed design.

1 Claim, 7 Drawing Sheets



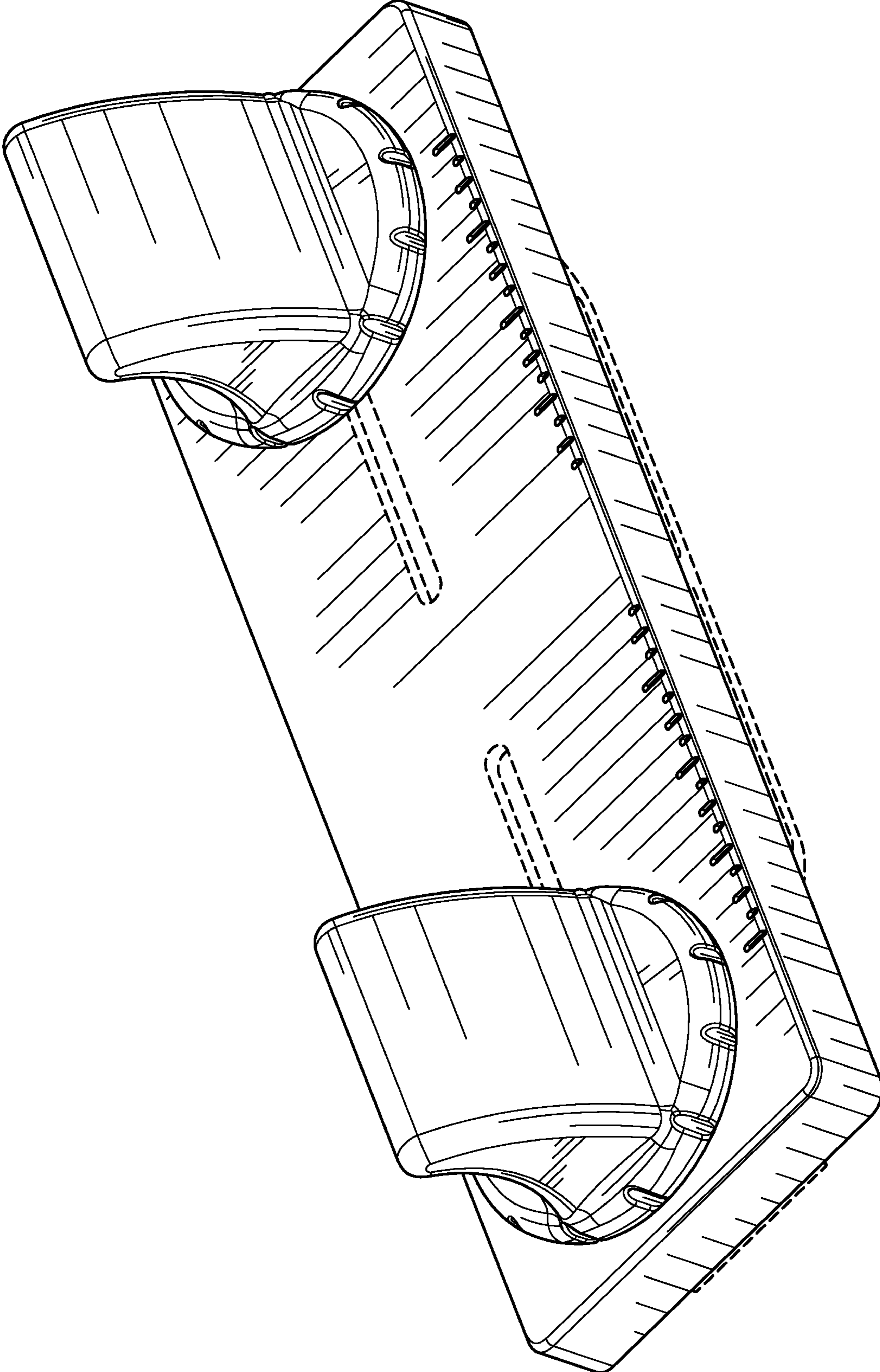


FIG. 1

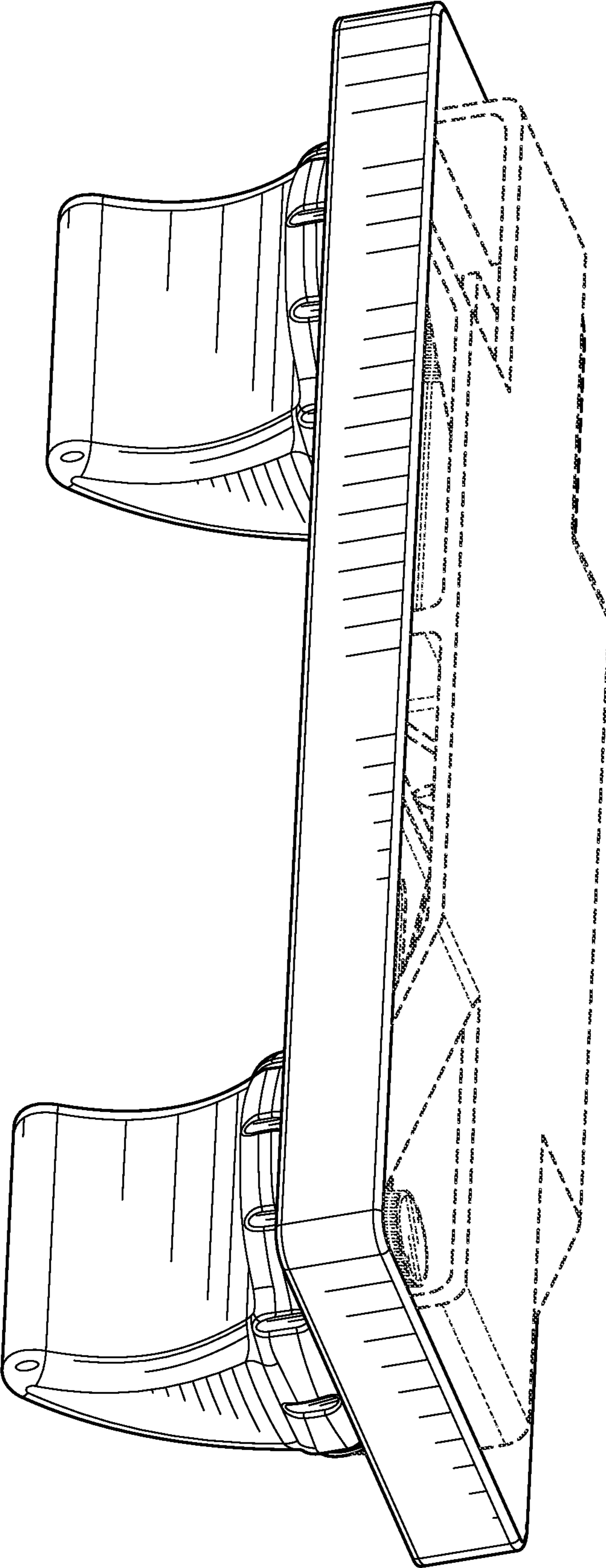


FIG. 2

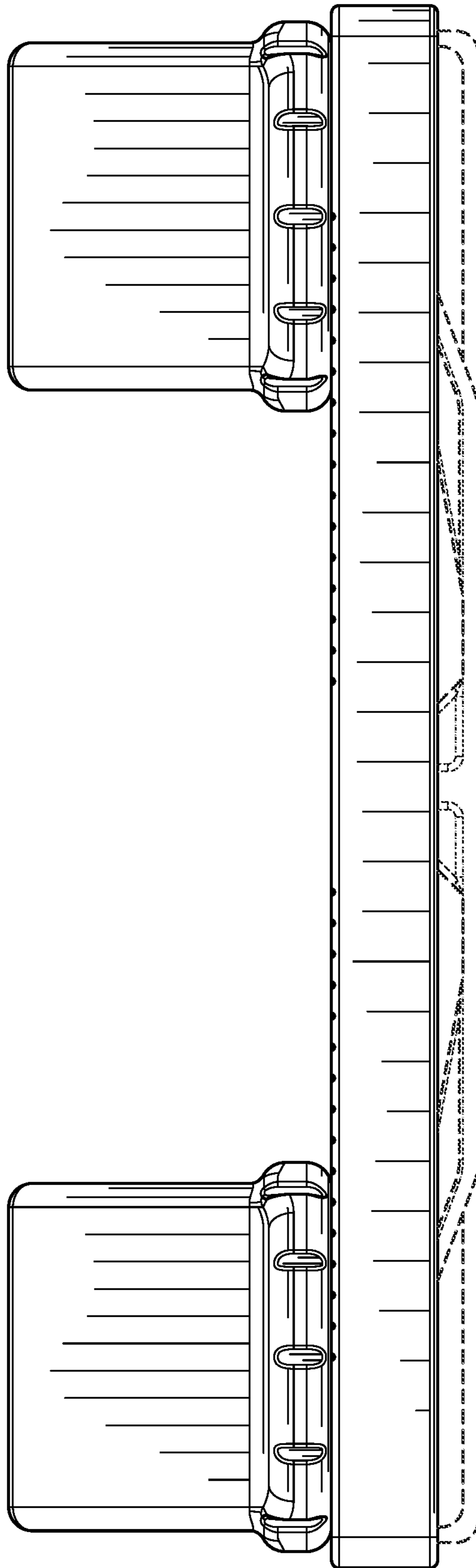


FIG. 3

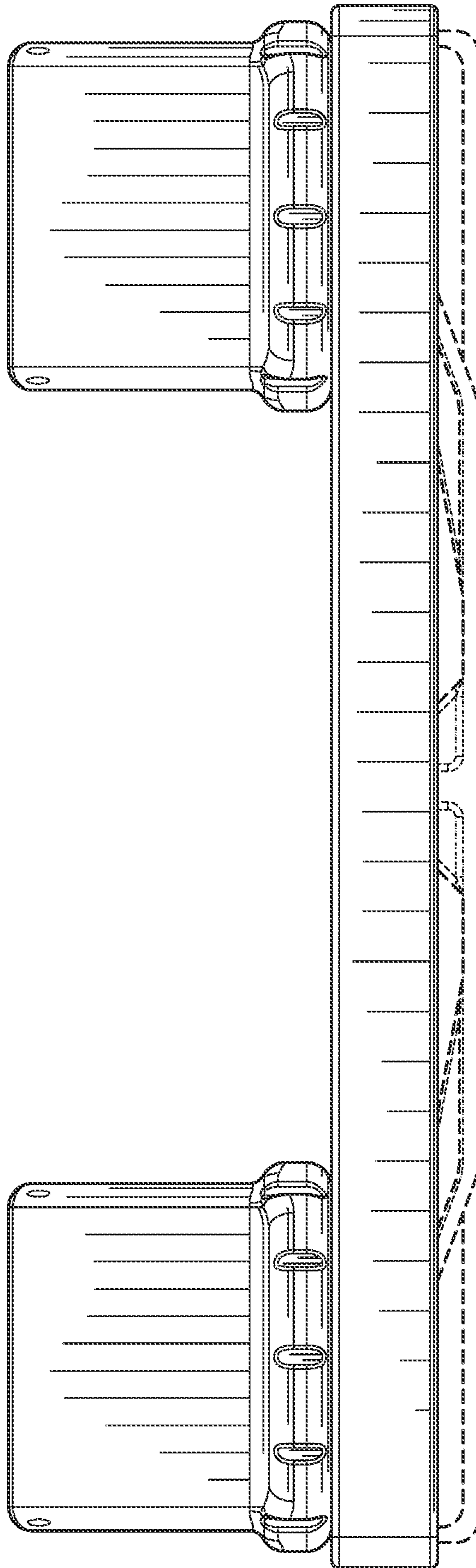


FIG. 4

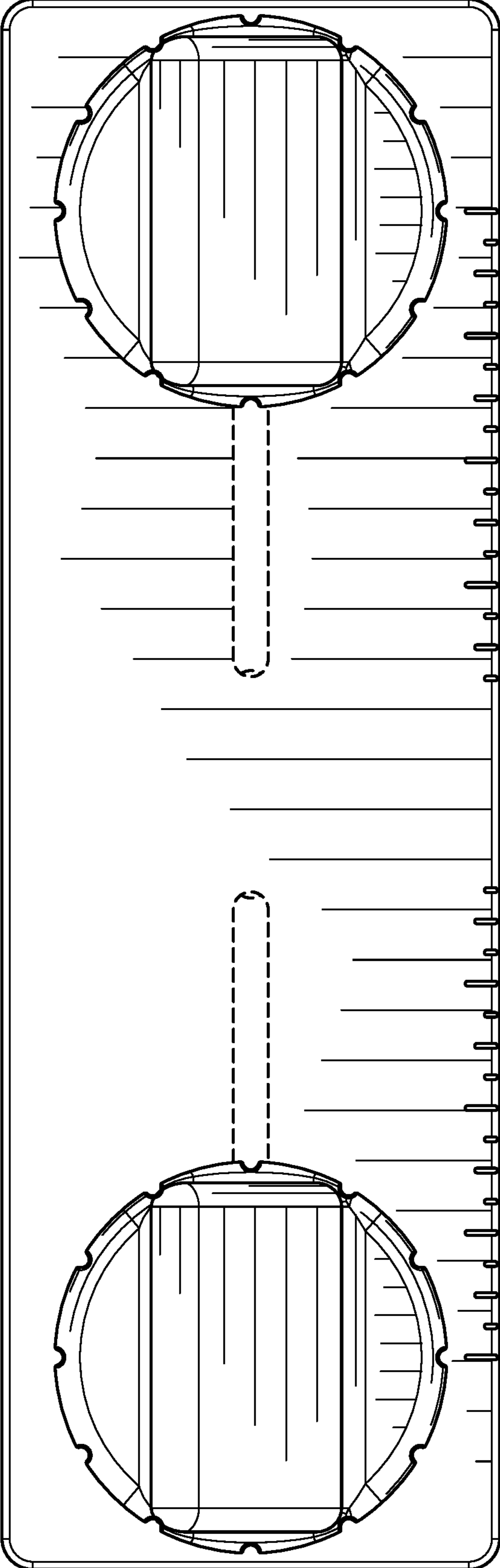


FIG. 5

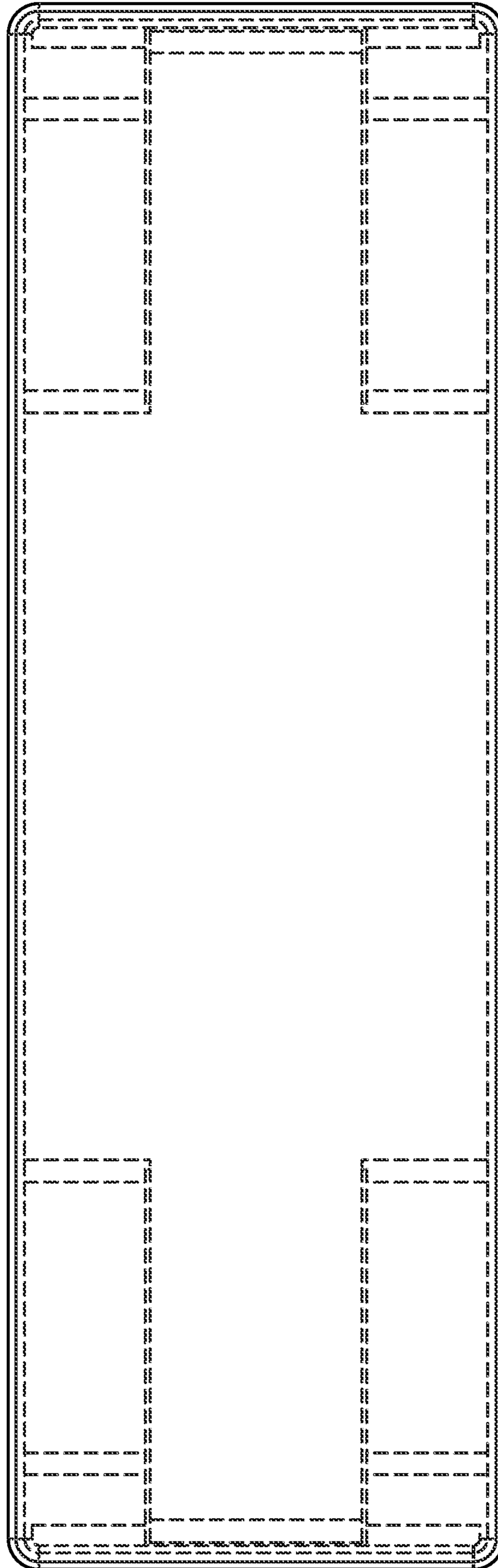


FIG. 6

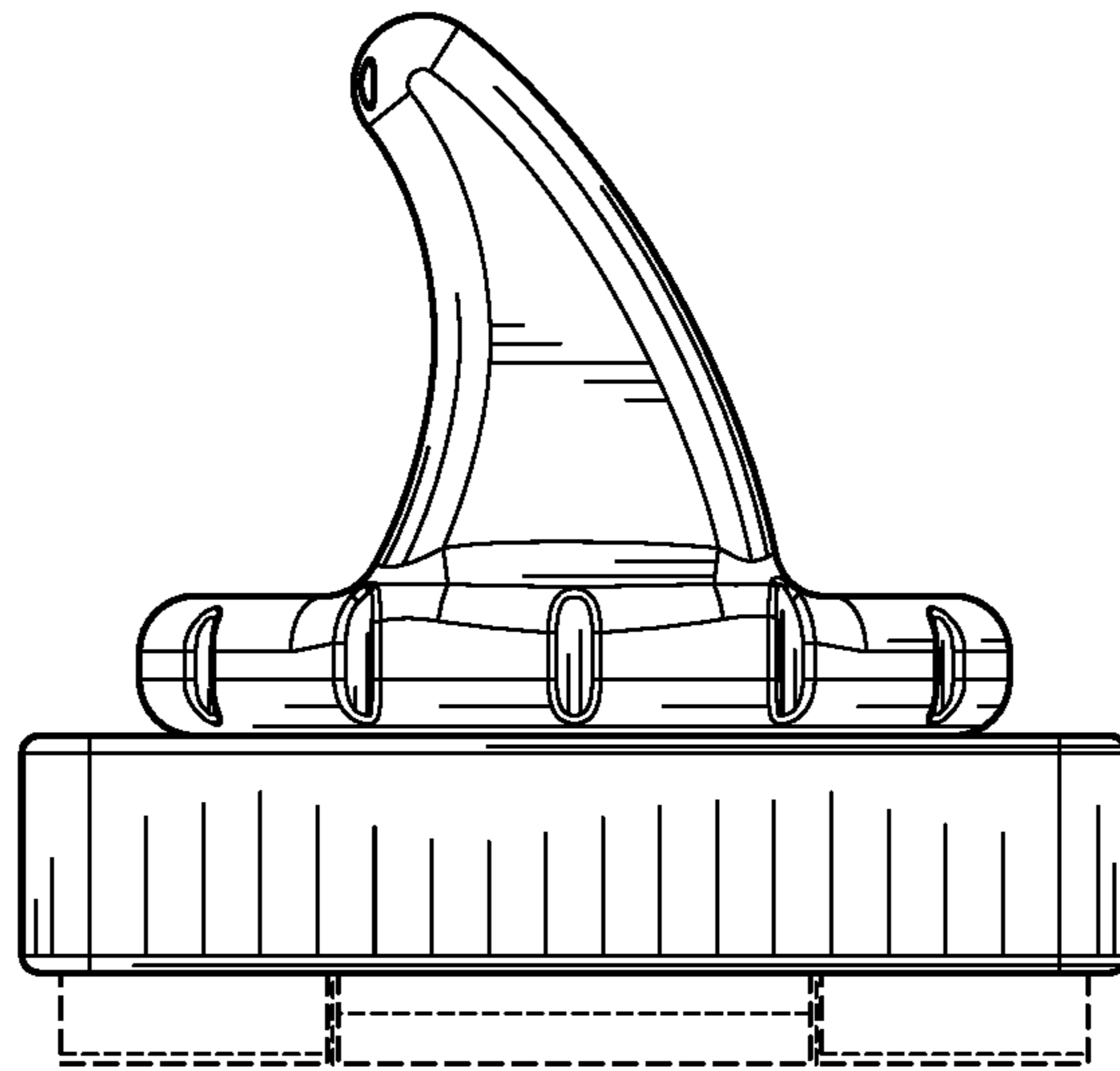


FIG. 7

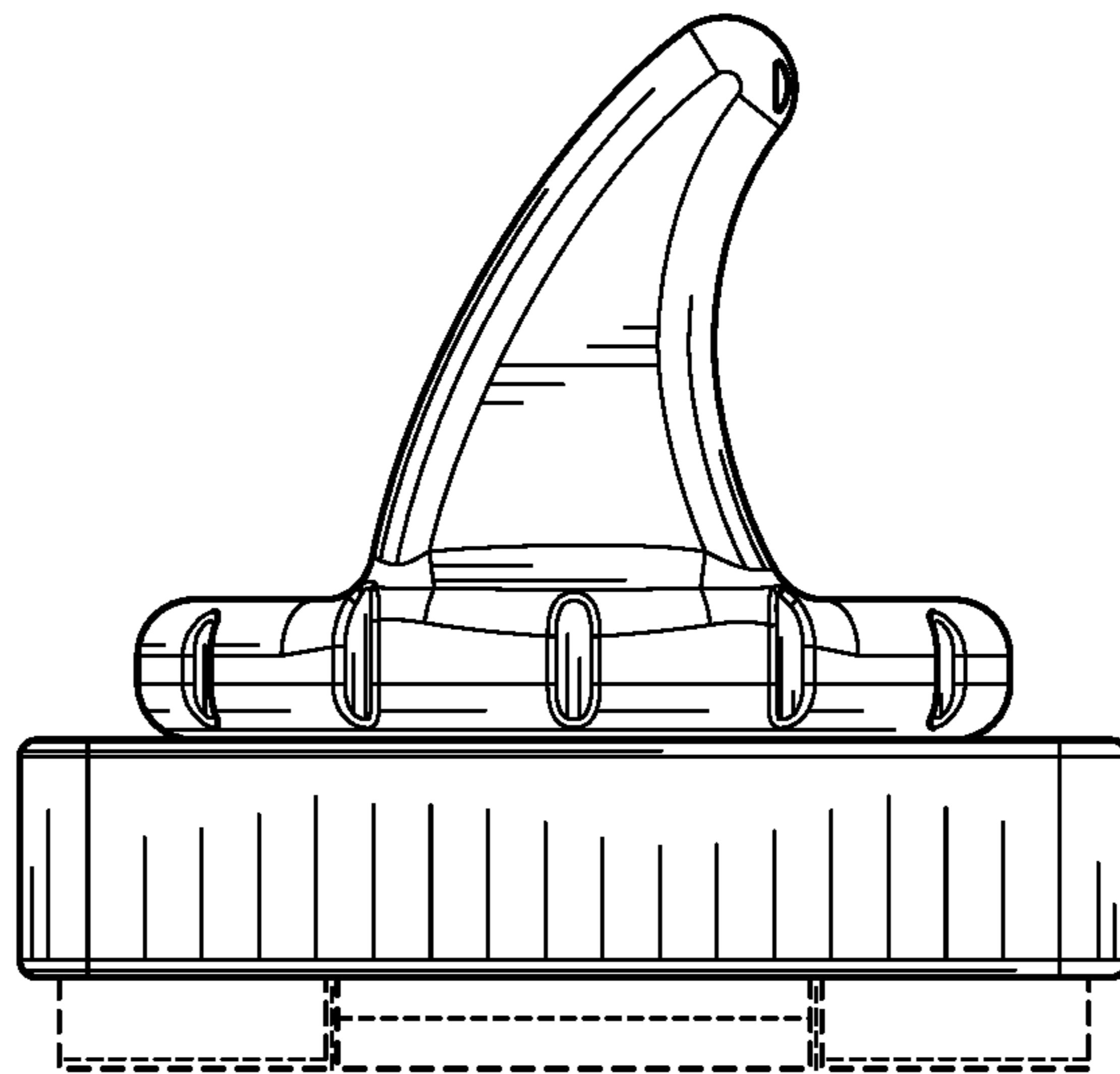


FIG. 8