



US00D980996S

(12) **United States Design Patent**
Jung

(10) **Patent No.:** **US D980,996 S**
(45) **Date of Patent:** **** Mar. 14, 2023**

- (54) **SCALP CARE DEVICE**
- (71) Applicant: **ROOTONIX Co., Ltd.**, Seoul (KR)
- (72) Inventor: **Daekwon Jung**, Seoul (KR)
- (73) Assignee: **ROOTONIX CO., LTD.**, Seoul (KR)
- (**) Term: **15 Years**
- (21) Appl. No.: **29/773,193**
- (22) Filed: **Mar. 8, 2021**

D843,002 S * 3/2019 Yarborough D24/211
 D952,347 S * 5/2022 Park D4/100
 D957,142 S * 7/2022 Kan D4/134

OTHER PUBLICATIONS

Youtube, "Roonix Buddie", Published Date: Apr. 21, 2021. <https://www.youtube.com/watch?v=bZWWWhXXFMtg&t=36s> (Year: 2021).
 Roonix, "Buddie", Access Date: Oct. 16, 2022. <http://www.rootonix.kr/buddie/> (Year: 2022).
 Facebook, "Roonix", Published Date: Apr. 18, 2021. <https://www.facebook.com/rootonixtalk/photos/pb.100063824449719.-2207520000./287722512931612/?type=3> (Year: 2021).
 Orbit, "Charging Case for a Scalp Care Device", Korean Application No. 30202000042500. Date: Sep. 8, 2020. www.orbit.com (Year: 2020).*

(30) **Foreign Application Priority Data**

Sep. 8, 2020 (KR) 30-2020-0042499

- (51) **LOC (14) Cl.** **28-01**
- (52) **U.S. Cl.**
USPC **D24/214**

- (58) **Field of Classification Search**
USPC D24/141, 188, 189, 190, 200, 211, 212,
D24/213, 214, 215; D30/160
CPC A61H 2205/021; A61H 2201/1604; A61H
7/007; A61H 7/00; A61H 2201/1609;
A61H 2205/025

See application file for complete search history.

(56) **References Cited**

U.S. PATENT DOCUMENTS

D372,313 S * 7/1996 McMillan D24/211
 D396,226 S * 7/1998 Davis, Sr. D24/214
 D422,084 S * 3/2000 Mickelson D24/214
 D556,913 S * 12/2007 Laituri D24/214
 D617,467 S * 6/2010 Dworzan D24/211
 D707,835 S * 6/2014 Domoto D24/200
 D839,111 S * 1/2019 Krishnan D24/188

* cited by examiner

Primary Examiner — Michael A Maharajh
 (74) *Attorney, Agent, or Firm* — Carter, Deluca & Farrell
 LLP

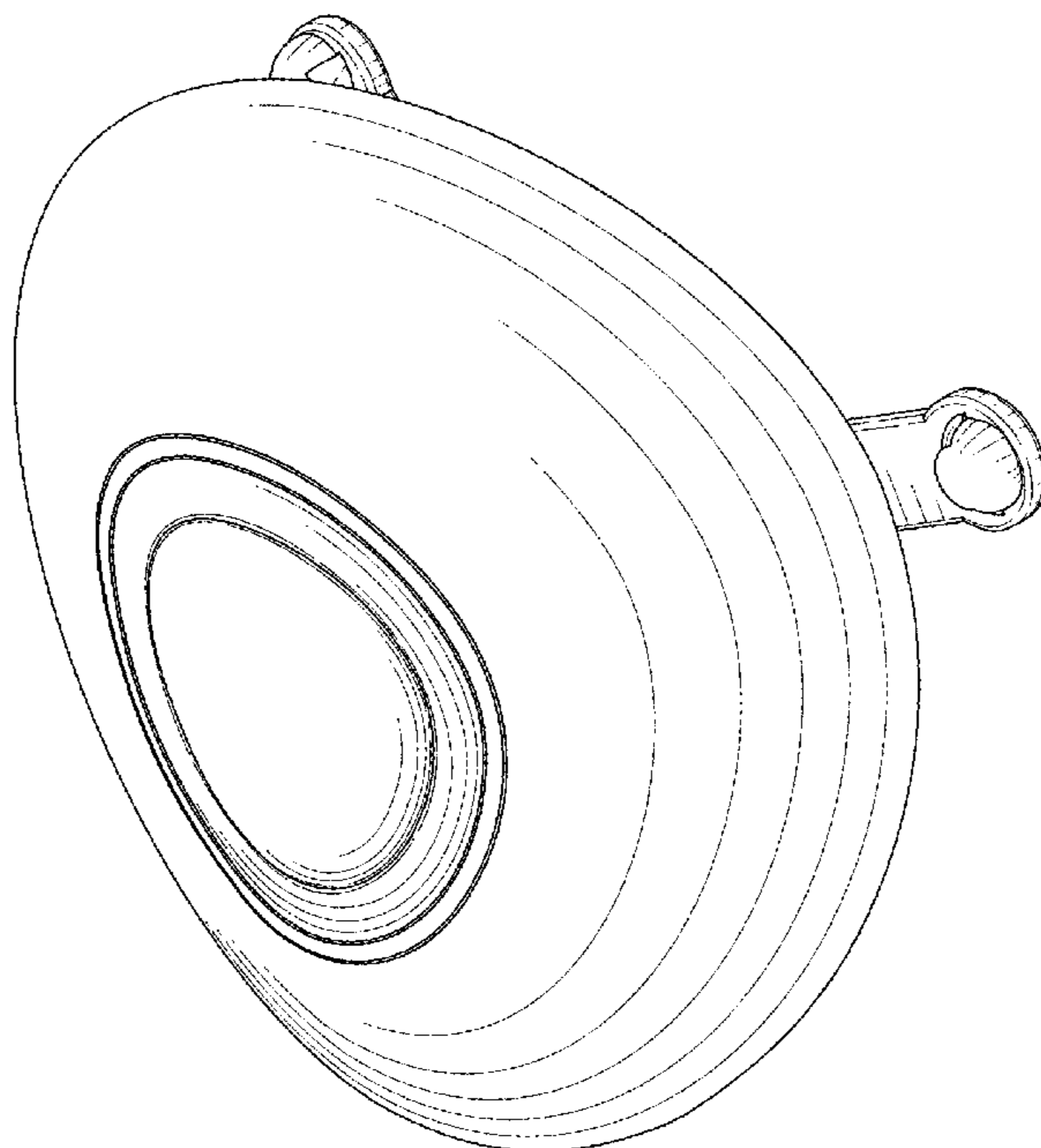
(57) **CLAIM**

The ornamental design for a scalp care device, as shown and described.

DESCRIPTION

FIG. 1 is a top perspective view of a scalp care device in accordance with the present design;
 FIG. 2 is a front elevational view thereof;
 FIG. 3 is a rear elevational view thereof;
 FIG. 4 is a right side elevational view thereof;
 FIG. 5 is a left side elevational view thereof;
 FIG. 6 is a top plan view thereof; and,
 FIG. 7 is a bottom plan view thereof.
 The broken lines shown in the drawings illustrate portions of the scalp care device that form no part of the claimed design.

1 Claim, 4 Drawing Sheets



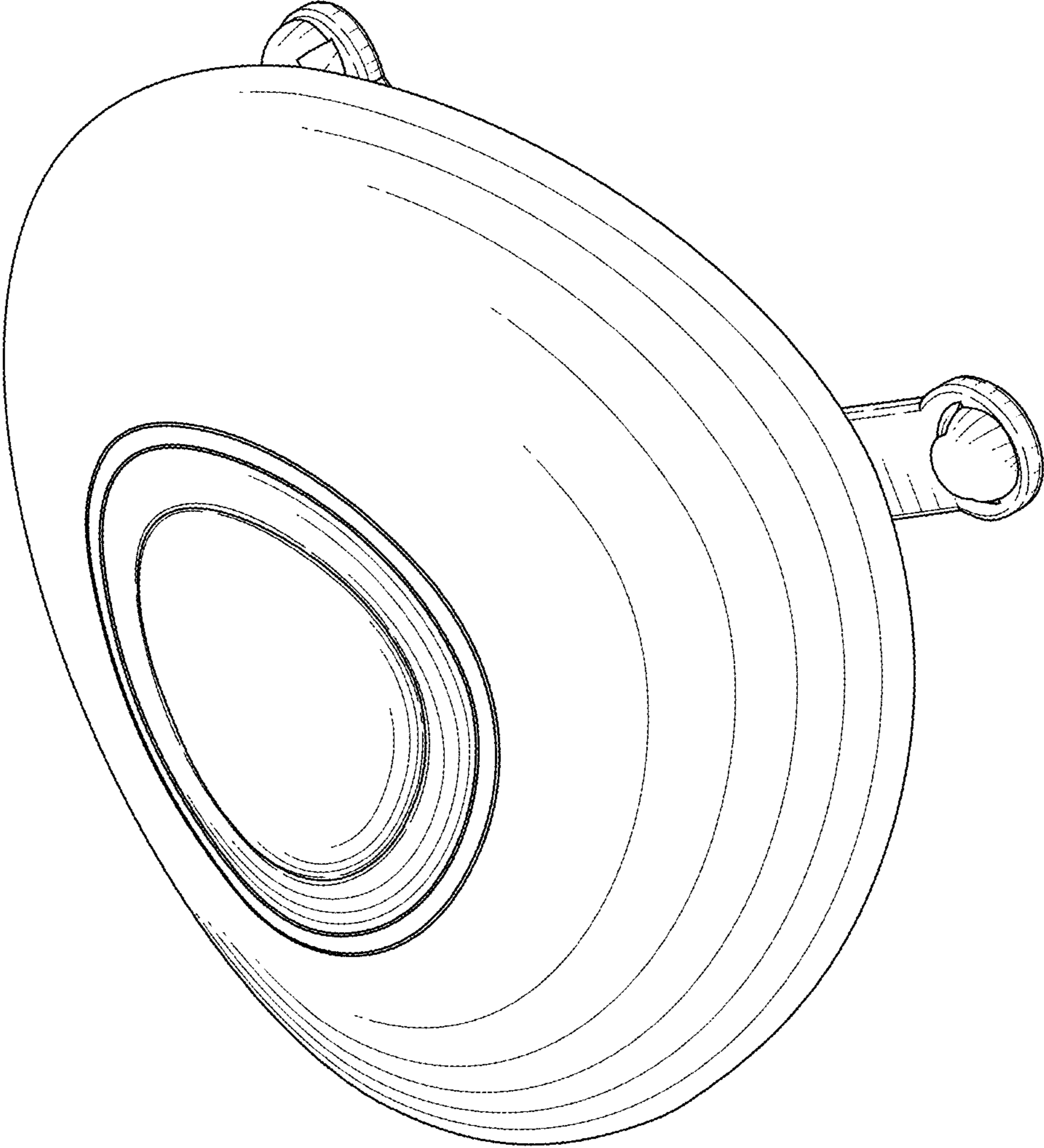


FIG. 1

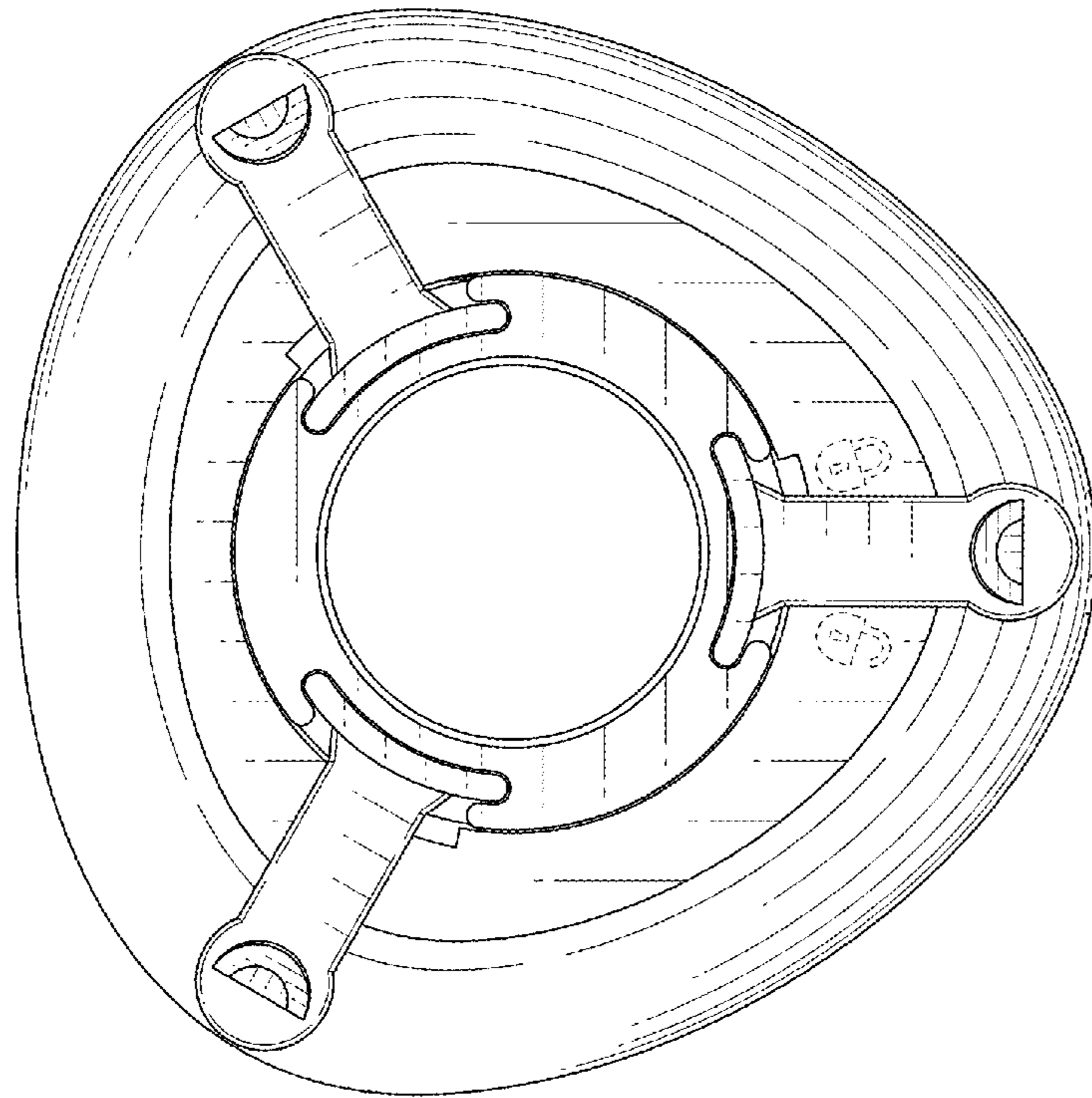


FIG. 3

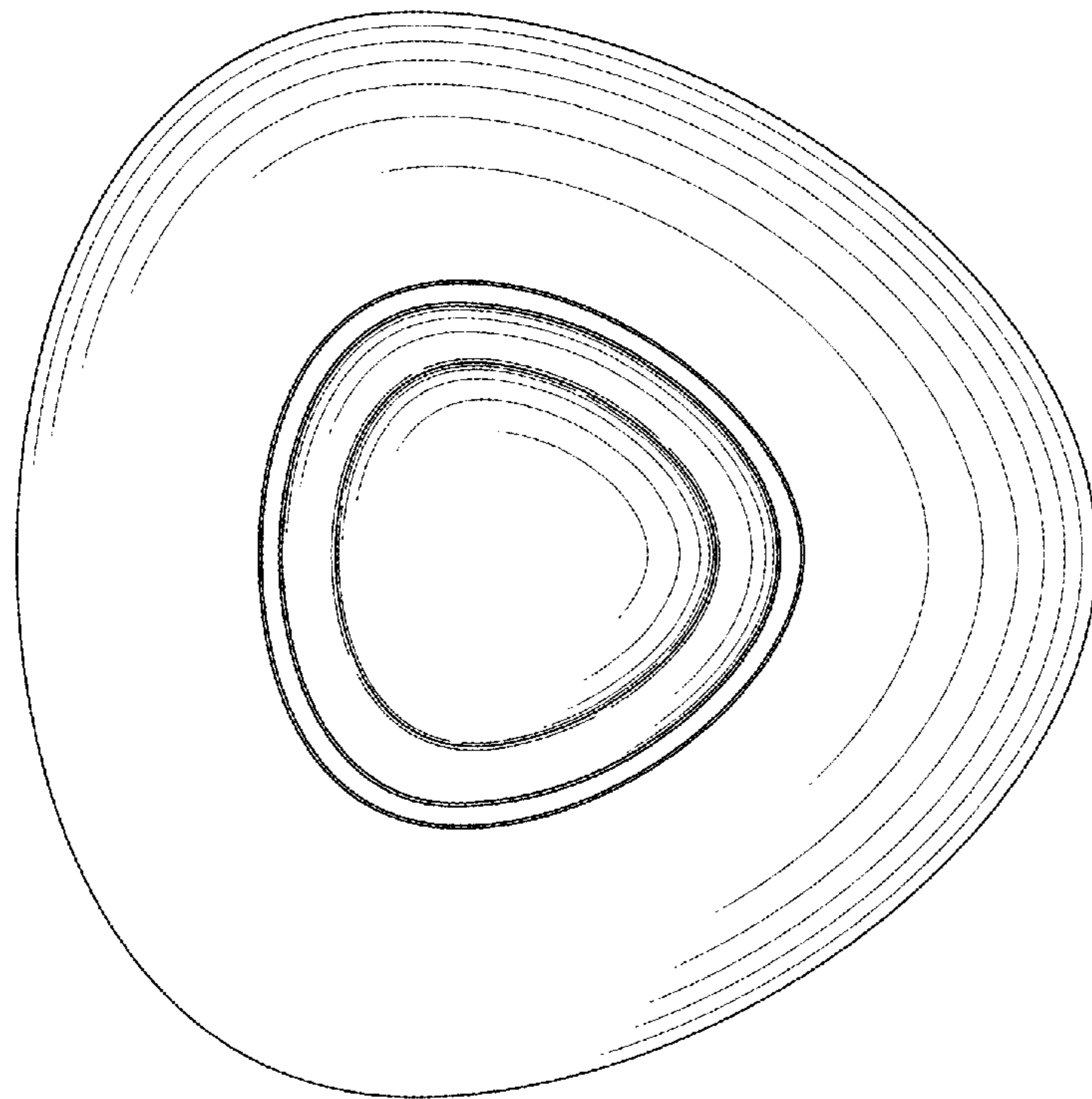


FIG. 2

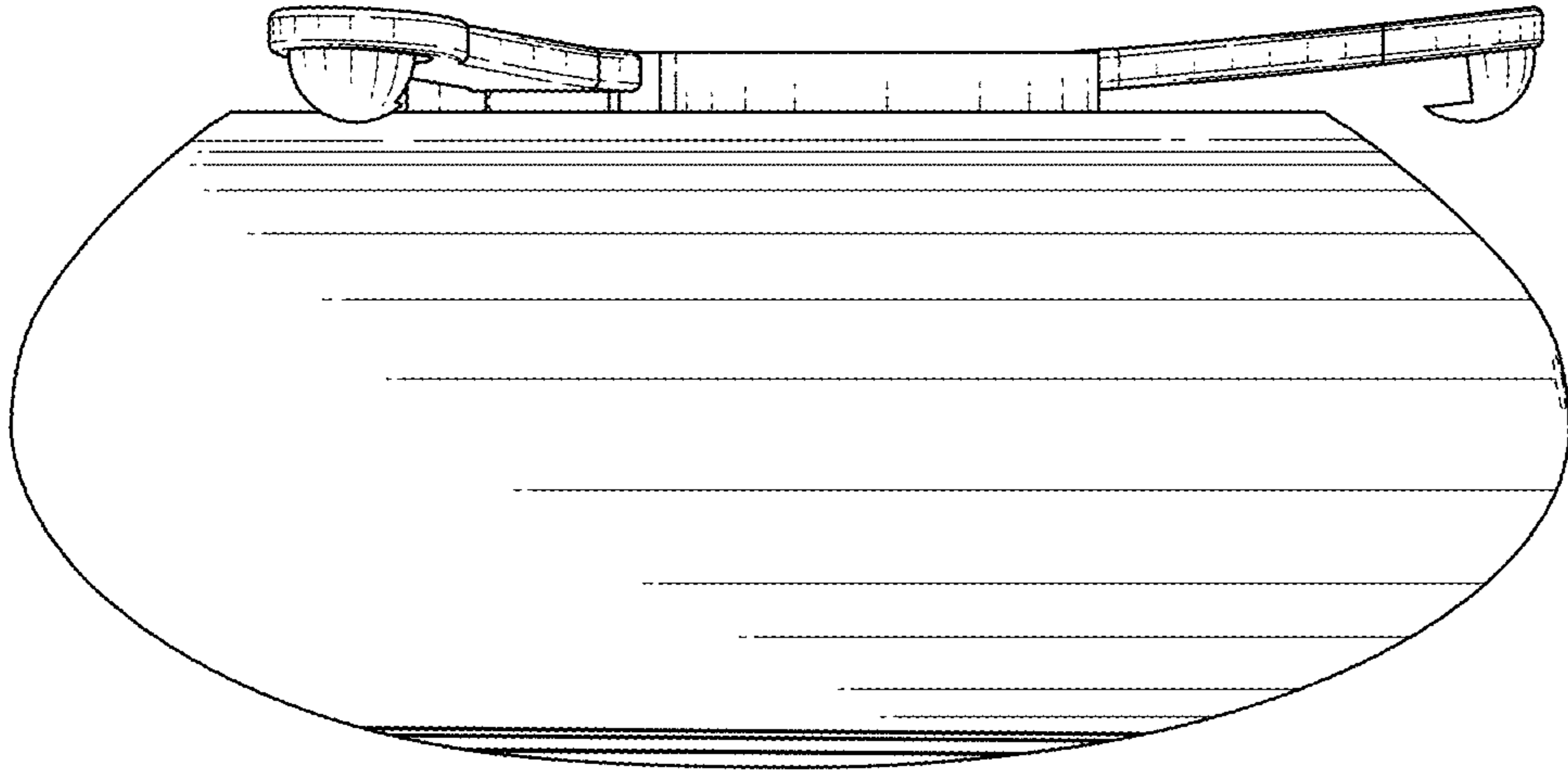


FIG. 5

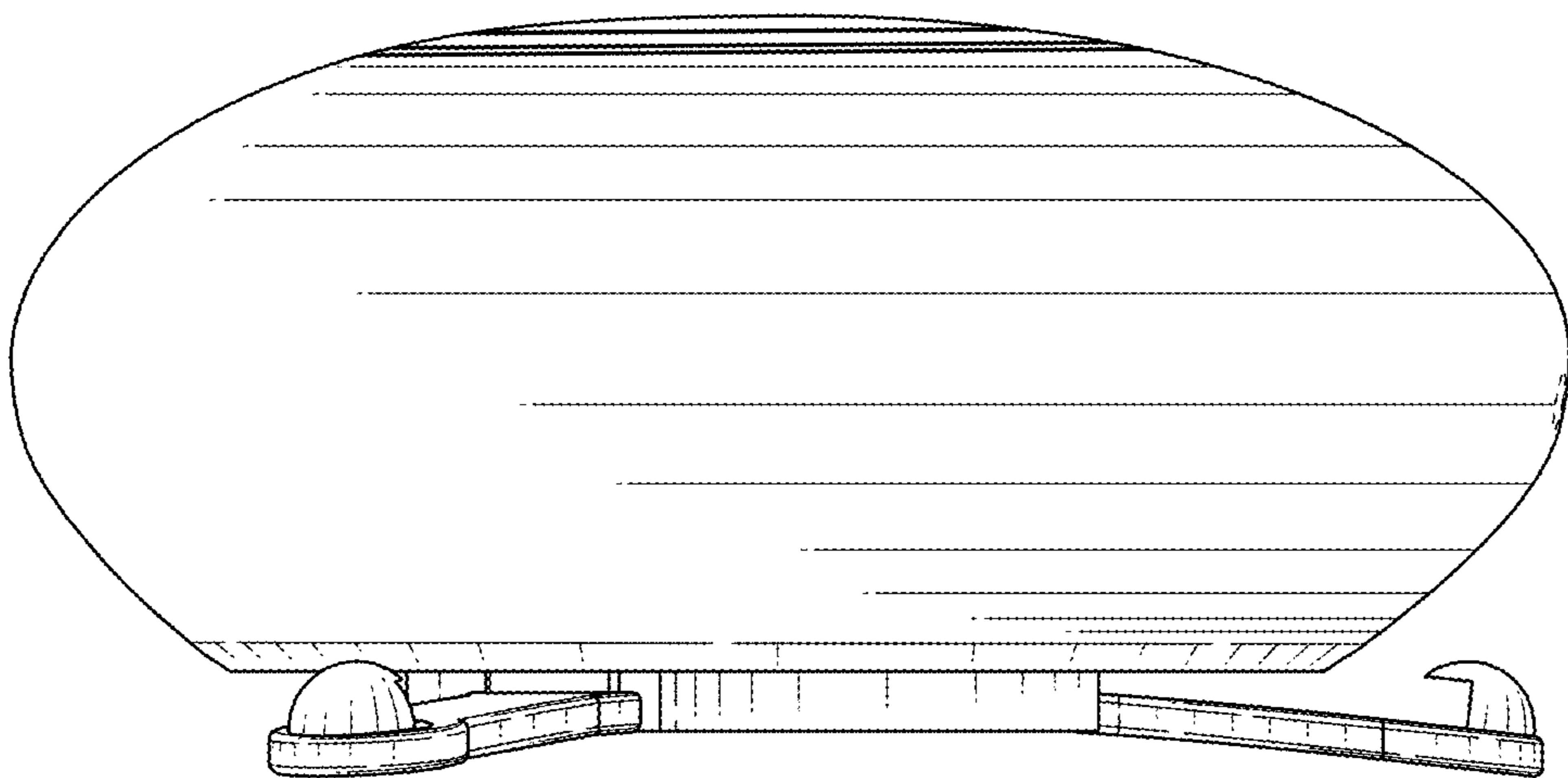


FIG. 4

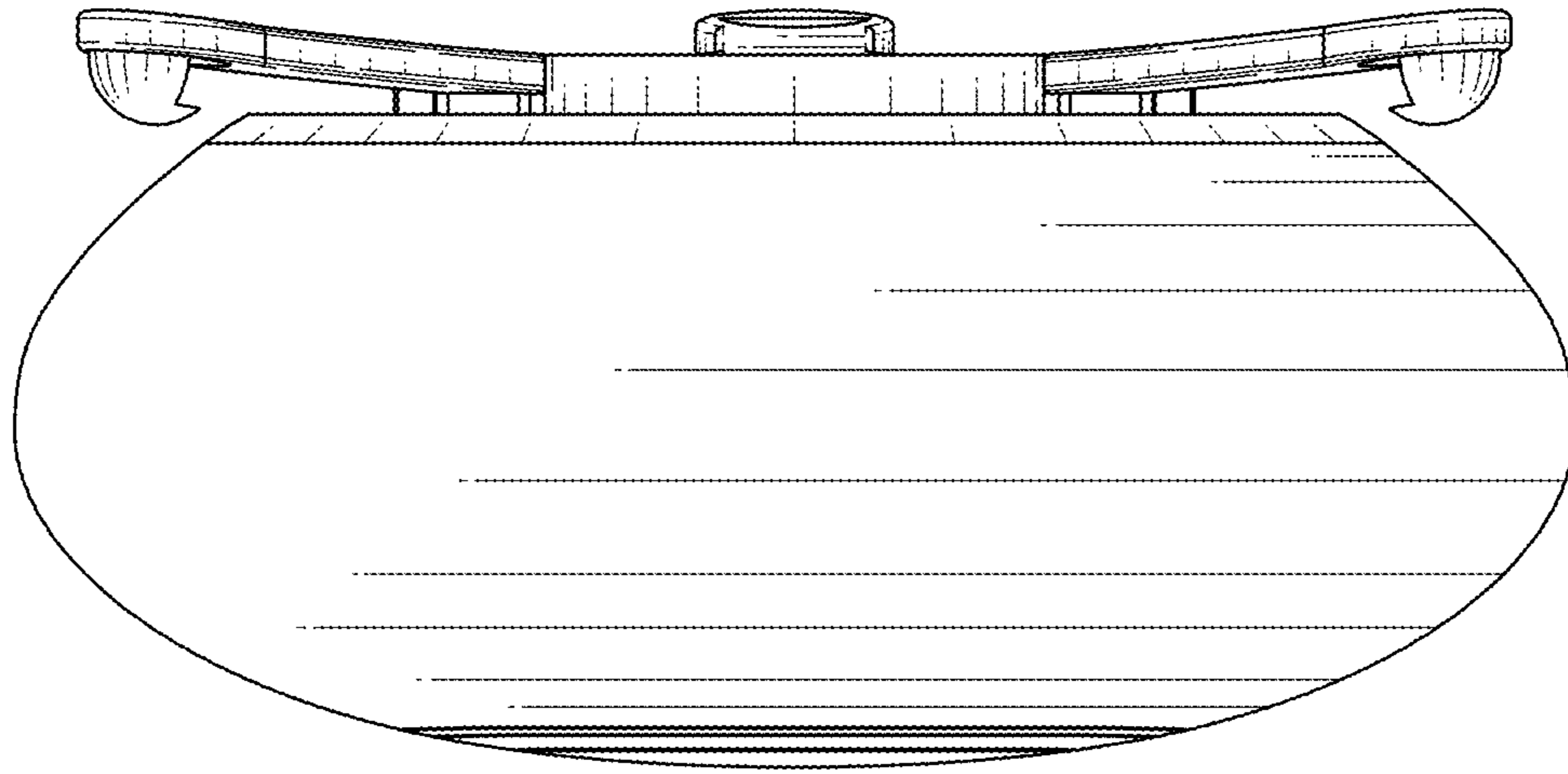


FIG. 6

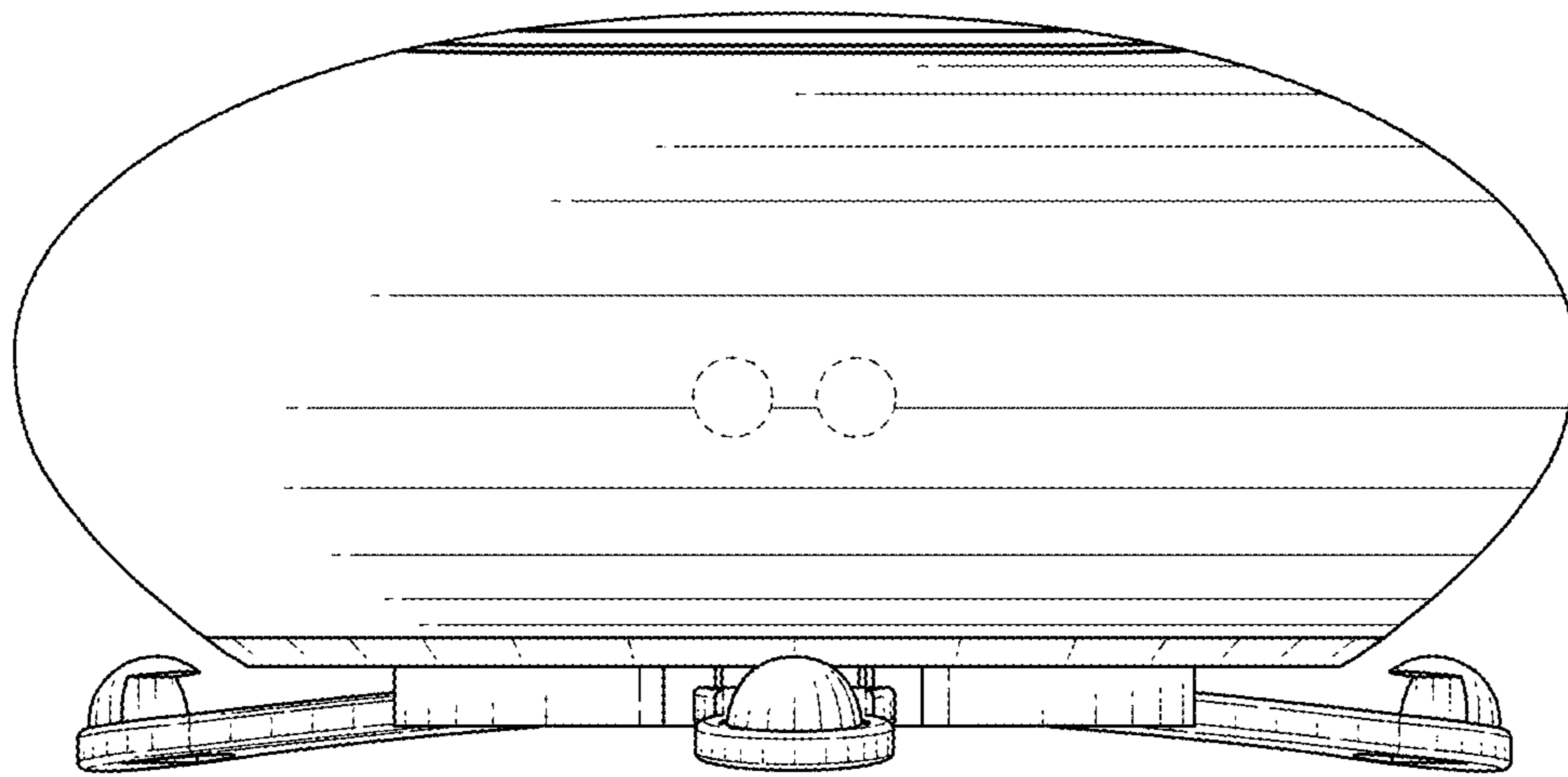


FIG. 7